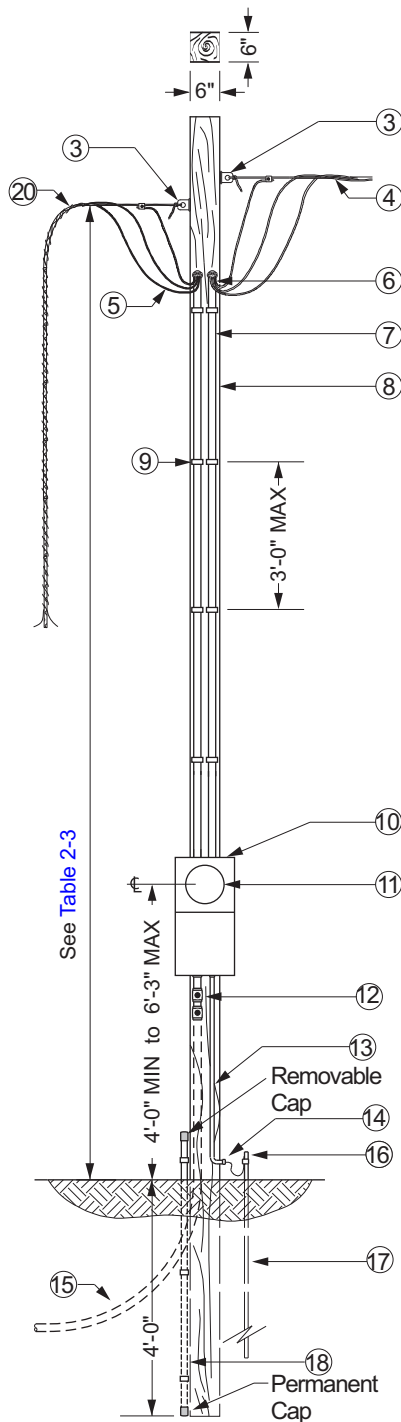


Figure 2–13: Temporary Service Requirements (Service for One Year or Less)



Note(s):

1. The preferred location for temporary metered power poles shall be where there is Company vehicle access and the service drop maximum span length is 100 feet. If Company vehicle access cannot be obtained, contact the local Service Planning Office for meter spot location.
2. Service drop furnished and installed by the Company. The Company's service drop maximum span length is 100 feet.
3. Wire holder or rack furnished and installed by the customer.
4. Customer's line.
5. Not less than 18 inches of wire outside service head.
6. Weatherproof service entrance caps.
7. Minimum 3/4-inch PVC conduit Sch. 40.
8. Self-supporting timber 6" x 6" x 20'-0" minimum (butt-treated).
9. Fasten conduit securely to pole.
10. For type of meter receptacle, and the number of socket terminals, see [ESR-5](#).
11. Meter will be furnished and installed by the Company. Self-contained 300/400 A (Class 320) type meter panels are not acceptable for temporary service. A safety socket box with factory installed test/bypass blocks, as detailed in [ESR-5](#), shall be provided for all three-phase installations.
12. Weatherproof boxes and receptacles.^{3/}
13. Armored ground wire or minimum of 1/2-inch rigid conduit or wood molding over ground wire.
14. Ground wire to be #8 AWG minimum.
15. Where customer's feeder is to be underground, install conduit as indicated by dashed lines and as required by the NEC.
16. Approved ground clamp and fitting must be accessible. Conduit must extend to ground rod to protect ground wire from mechanical injury.
17. Ground wire from pole to electrode shall be enclosed in galvanized ridged conduit, or equivalent mechanical protection. If a ground rod is used, the following minimum requirements apply:
 - Diameter of rod: 3/4 inch, if iron rod or galvanized pipe
 - 1/2 inch, if solid rod of brass, copper, or copper-covered steel.
 - Drive to minimum depth of 8'-0" below ground surface.
 - Refer to the local inspection agency for alternate or additional requirements.
18. A 5' x 3/4" Sch. 40 PVC conduit will be furnished and installed by the customer. This conduit must be permanently secured with three pipe straps to the butt and flush to the bottom of the pole. The bottom of the conduit must be permanently capped and the top cap must be removable.
19. The customer must set the service pole in natural soil. The backfill must be tamped to a minimum compaction of 90 percent within a 2-foot radius of the pole.
20. The customer shall furnish and install a 10-foot service drop stinger. The service drop stinger shall be #4 aluminum triplex for a 100 A service and 1/0 aluminum triplex for a 200 A service.
21. Customer's service pole shall be 6 feet or more away from any well.

^{3/} Refer to the local inspection agency and the California Electrical Safety Order for ground fault circuit protection requirements.

ESR-2	Overhead Service Connections 0–600 V	EFFECTIVE DATE 01-28-2022
PAGE 2–30	Electrical Service Requirements ► SCE Public ◀	APPROVED 