



**PUBLIC REQUEST TO ADDRESS  
THE BOARD OF SUPERVISORS  
COUNTY OF LOS ANGELES, CALIFORNIA**

MEMBERS OF THE BOARD

HILDA L. SOLIS  
HOLLY J. MITCHELL  
SHEILA KUEHL  
JANICE HAHN  
KATHRYN BARGER

**Correspondence Received**

			The following individuals submitted comments on agenda item:	
Agenda #	Relate To	Position	Name	Comments
80.		<b>Favor</b>	Debra Sketlon	
			KATHLEEN F Rosenblatt	It is against the constitution to impose medical procedures on citizens. Vaccines are causing terrible consequences that are not getting reported.
		<b>Oppose</b>	Alexandra Lambrakis	
			Aline Saylor	<p>Dear Board members,</p> <p>I strongly opposed item 80. This Item will requieres a director of personnel be appointed and given the ability to discipline and or terminate County employee who are not in compliance with your covid 19 vaccine mandates. Such appointment would undermine the each head departments ability to discipline employees as they best deemed fit. It is an overreach of power, and would subject the Board to more litigation as well as angering LA county's constituents as they will too be affected by shortage of employees. We will be loosing close to eighteen thousand employee from all departments within LA county.</p> <p>Many countries, states, cities, and counties have completely eliminated their vaccine mandates and vaccine passports. Why is La county board of supervisors trying to become dictatorial? Why is this board trying to centralized power? Our elected official Alex Villanueva will be held accountable as well as you if the voters do not agree with mandates and their position with fulgent genetics. Alex Villanueva received information from the FBI saying that we should not trust fulgent genetics. If he were wrong, then he would face the consequences. We are entering a slippery sopen by nor letting each department Head to properly discipline their employees.</p> <p>The citizens of LA County will suffers greatly if you choose to give the director of personnel this power. We will lose duties, and other vital employees such as district attorneys, employees from the department of mental health. We need those employees given the level of criminality we see in our streets. Firing county employees over covid 19 mandates which are currently in litigation would clearly exacerbate the demise of LA county</p> <p>Please do NOT tatie over our County /department powered to discipline County employees for alleged violations of your illegal mandates. WE the people will remember when the next elections.</p>



**PUBLIC REQUEST TO ADDRESS  
THE BOARD OF SUPERVISORS  
COUNTY OF LOS ANGELES, CALIFORNIA**

MEMBERS OF THE BOARD

HILDA L. SOLIS  
HOLLY J. MITCHELL  
SHEILA KUEHL  
JANICE HAHN  
KATHRYN BARGER

**Correspondence Received**

The following individuals submitted comments on agenda item:				
Agenda #	Relate To	Position	Name	Comments
80.		<b>Oppose</b>	Amy A Allen	<p>I strongly oppose Agenda Item 80 in which you would appoint Director of Personnel with the ability to discipline (aka: terminate) County employees who are not in compliance with your Covid 19 vaccine mandates. Usurping the ability to discipline Dept employees from each department head is an overreach of power and would subject the Board to even more litigation as well as ire of the constituents you are supposed to represent.</p> <p>At a time when other States, Counties, and cities are easing up on Covid 19 restrictions, why is the County becoming even more dictatorial? Sheriff Villanueva and other elected County leaders will have to face the voters if they disagree with his position that Fulgent Genetics is not a company to be trusted in light of the information he received from the FBI. Why put yourselves in the crossfire by taking on more liability by having the Director of Personnel (aka: B.O.S.) assume each Department's ability to fire their employees? It is a slippery slope and not one you will easily be able to take back once you start.</p> <p>More importantly, the People of LA County will suffer greatly if you choose to give the Director of Personnel this power and have her/him fire LA County employees such as the thousands of Deputies, and other County employees who are not in compliance w/ your Covid mandates by refusing to enroll Fulgent Genetics. The crime and homelessness statistics are out of control in LA County. Firing County employees over Covid 19 mandates which are currently subject to litigation - especially the Fulgent-Genetics mandate - would clearly exacerbate the demise of LA County.</p> <p>Why would you force County employees to upload their personal information and DNA into Fulgent Genetics which has headquarters in China?!</p> <p>Moreover, China has announced its right to access the records of any companies including Fulgent Genetics that have ties to their country. The FBI was right to express concern to the Sheriff AND MEMBERS OF THIS BOARD that Fulgent Genetics poses a security risk to our nation.</p> <p>Please do NOT vote to TAKE OVER County Dept powers to discipline County employees for alleged violations of your Covid mandates. A vote in favor of Agenda Item 80 is an abuse of your powers and will further damage LA County and the trust placed in you by your constituents.</p> <p>BOS IS A POWER HUNGRY DEMOCRATIC ESTABLISHMENT CREW WHO RECEIVES MONEY FROM GEORGE SOROS ORGINATIONS to take over the County of Los Angeles.</p> <p>FYI BOS members, the "COVID-19 shots" do not stop or prevent transmission of the virus! The PCR test is not tested nor validated to detect COVID-19 and FULGENT IS A CHINESE COMPANY AND IN ITS DOCUMENTS IT HAS TO SHARE INFO WITH CHINA!</p>
			Amy A Allen	<p>I strongly oppose Agenda Item 80 in which you would appoint Director of Personnel with the ability to discipline (aka: terminate) County employees who are not in compliance with your Covid 19 vaccine mandates. Usurping the ability to discipline Dept employees from each department head is an</p>



**PUBLIC REQUEST TO ADDRESS  
THE BOARD OF SUPERVISORS  
COUNTY OF LOS ANGELES, CALIFORNIA**

MEMBERS OF THE BOARD

HILDA L. SOLIS  
HOLLY J. MITCHELL  
SHEILA KUEHL  
JANICE HAHN  
KATHRYN BARGER

**Correspondence Received**

			<p>overreach of power and would subject the Board to even more litigation as well as ire of the constituents you are supposed to represent.</p> <p>At a time when other States, Counties, and cities are easing up on Covid 19 restrictions, why is the County becoming even more dictatorial? Sheriff Villanueva and other elected County leaders will have to face the voters if they disagree with his/their position that Fulgent Genetics is not a company to be trusted in light of the information received from the FBI. Why put yourselves in the crossfire by taking on more liability by having the Director of Personnel (aka: B.O.S.) assume each Department's ability to fire their employees? It is a slippery slope and not one you will easily be able to take back once you start.</p> <p>More importantly, the People of LA County will suffer greatly if you choose to give the Director of Personnel this power and have her fire LA County employees such as the thousands of Deputies, and other County employees who are not in compliance w/ your Covid mandates by not enrolling in Fulgent Genetics in order to protect their genetic information and PII from entities with ties to China. The crime and homelessness statistics are out of control in LA County. Firing County employees over Covid 19 mandates which are currently subject to litigation - especially the Fulgent-Genetics mandate - would clearly exacerbate the demise of LA County.</p> <p>Why would you force County employees to upload their personal information and DNA into Fulgent Genetics which has headquarters in China?! Moreover, China has announced its right to access the records of any companies including Fulgent Genetics that have ties to their country. The FBI was right to express concern to the Sheriff AND MEMBERS OF THIS BOARD that Fulgent Genetics poses a security risk to our nation.</p> <p>Please do NOT vote to TAKE OVER County Dept powers to discipline County employees for alleged violations of your Covid mandates. A vote in favor of Agenda Item 80 will further damage LA County and the trust placed in you by your constituents."</p> <p>OH, BUT YOU ALL HAVE ALREADY DECIDED TO PASS THIS ILLEGAL CODE. YOU ALL WILL BE HELD PERSONALLY RESPONSIBLE FOR EACH EMPLOYEE THAT IS FIRED ILLEGALLY. I WOULD ALSO LIKE TO MENTION THAT YOU ALREADY GAVE THE AUTHORITY TO THE HR DEPARTMENT TO DISCIPLINE EMPLOYEES BEFORE HR EVEN HAD THE AUTHORITY TO DO SO. WHY ARE YOU TRYING TO SNEAK IN AUTHORIZATION TO MAKE IT OK TO FIRE HARD WORKING EMPLOYEES WHO WORKED IN PERSON SEEING CLIENTS ALL THROUGHT OUT THE "FAKE ASS PANDEMIC" I SEE THAT YOU WANT TO CELEBRATE THE FRONTLINE WORKERS 4/28 BUT THEN FIRE ALL THE HARD WORKING STAFF THAT STUCK IT OUT DURING THIS MOST DIFFICULT TIME. I am finding that you all are in this to enrich your pockets and not make LA County a better and safer place for residence. This is evident by the way that you are trying to get rid of the Sheriff, the only elected official in the county with some balls to stand up to this tyranny.</p>
	Andrea Sea Namaste		attached
	Angela E		I strongly oppose this item. This will not only effect the employees of the



**PUBLIC REQUEST TO ADDRESS  
THE BOARD OF SUPERVISORS  
COUNTY OF LOS ANGELES, CALIFORNIA**

MEMBERS OF THE BOARD

HILDA L. SOLIS  
HOLLY J. MITCHELL  
SHEILA KUEHL  
JANICE HAHN  
KATHRYN BARGER

**Correspondence Received**

	County but also pose a great risk to the community at large. This is a huge safety concern & will put the community at further risk. The policies surrounding COVID-19 have had grave effects on our communities. This is an overreach of power. Other counties, including the state have lifted certain COVID-19 policies including testing and vaccinations in Sam Diego County. The vaccines are known to cause adverse effects, including death. One should not have to be forced nor coerced to inject themselves with an experimental treatment that is known to have the adverse effects. The policy itself goes against state and federal laws, including the LA County Charter, the LAC Employee Handbook and various departmental manuals.
Anne Marie Casey	
Anonymous Anonymous	"Residents of Los Angeles County rely on essential workers every day for the critical services they provide. These frontline superheroes ensure the health, well-being, and economic resiliency of local communities. Prior to the pandemic, many of our frontline workers were already facing hardships which have only been exacerbated over the last year. Despite these challenges, they have showed up for the greater good of our region- they are our modern-day superheroes." Supervisor Hilda L. Solis is even moving that April 28, 2022 be proclaimed "Essential Worker Day" to "recognize the essential contributions that frontline workers have made to LA County throughout the COVID-19 pandemic." Yet the frontline employees, the superheroes, if you will are being threatened to be terminated if they do not follow a policy the Board of Supervisors enacted and I believe are exempt from themselves. It's atrocious to publicly state you support and recognize essential workers and in the same breath will terminate them for exercising their rights.
Antoinette Rascon	Strongly oppose! Our Constitution protects our RIGHTS to freedom of choice on medical procedures. You all are very aware of the deaths and damages (myocarditis, blood clots, heart attacks and strokes, etc) IF DEATH is a side effect-CHOICE is a must!!!
Antonio Zaragoza	
April McKay	Oppose vaccine medical tyranny. Stand up for constitutional freedom and defeat this 80.
Armaiti May	Mandating an experimental injection is unconstitutional and unethical.
Barbara Thurman	I strongly OPPOSE Agenda Item 80. The Director of Personnel should not have the sole ability to discipline aka: terminate County Employees who are not in so called compliance with this illegal Covid-19 job mandates. By allowing Director of Personnel to have this control you are violating the Civil Service rules and collective bargaining. This BOS has been elected by the same individuals that you are trying to have terminated from there positions as County Employees that have served in their positions all through the forced illegal pandemic. Other States, Counties, and Cities are removing the EUA mandates on jabbing/testing as they are supposed to under the EUA policy. This BOS is adopting a TOTALITY TYRRANY of power and dictatorship mentality. Fulgent Genetics is not a company to be trusted. As we have seen in the past when information has been stolen this is opening up



**PUBLIC REQUEST TO ADDRESS  
THE BOARD OF SUPERVISORS  
COUNTY OF LOS ANGELES, CALIFORNIA**

MEMBERS OF THE BOARD

HILDA L. SOLIS  
HOLLY J. MITCHELL  
SHEILA KUEHL  
JANICE HAHN  
KATHRYN BARGER

**Correspondence Received**

	litigation to the highest power because you mandated it. LA County will suffer greatly if you give the power of termination ON ALLEGED VIOLATIONS of your mandates to the Director of Personnel. Thousands of Deputies, Firefighters and other County Employees who are not in compliance with the illegal mandates. By enrolling ALL County Employees into the Fulgent Genetics data base without their knowledge or consent, this BOS has ignored the finding on the FBI's concerns about the security risk that Fulgent Genetics poses. The adoption of the Agenda Item 80 will then exacerbate the counties homeless population to staggering portions by allowing the termination of thousands of employees who have the legal right not to jab/test on experimental products. DO NOT VOTE ON AGENDA ITEM 80!!
Brian Planas	Coerced experimental injection is illegal. What about the 9 pages of adverse reactions in Pfizer's trial? The Nuremberg Code applies. You will be held ethically and morally responsible for crimes against humanity.
Carmen A	
Carmen Reyes	I strongly oppose Agenda Item 80 in which you would appoint the head of the personnel department to discipline county employees who are not in compliance with your Covid 19 vaccine mandates. I believe that this is an absolute overreach of power and would definitely subject the Board to additional litigation as well as the ire of the constituents that you are supposed to represent. Other states, counties and cities are easing up on Covid restrictions. Why is behind all this dictatorial approach by the board? Sheriff Villanueva and other elected leaders will have to face the voters if they disagree with their position that Fulgent Genetics is not a company which cannot be trusted in light of the information exposed by the FBI. All this absurdity by the board will speed up the demise of L.A. County.
Celeste G Narvaez	
Crystal Galindo	
Daniel A Pittack	Please take a moment to recognize that not only is it irresponsible to take our public service workers, those who we depend on to keep us safe, out of the service workforce but also acknowledge that these public service arms be able to govern themselves based on existing policy. It's appalling to think it possible this board's vote could not only further weaken our law enforcement and firefighters numbers but also do so through the infringement of their right to choose their own medical care for whatever reason medical, religious, or personal belief. Please do not punish our last line of defense who have already sacrificed their lives for our benefit. Please allow those who are closest to the organizations and their leadership to choose how they manage. I have not paid my taxes so these pillars of our communities can be torn down in clear opposition to doing what is right and the intent of our state constitution. The harm done by voting to punish our service members and their leadership for maintaining their right to choose medical care is a dangerous precedent and does far more harm and does not provide any real additional safety in this pandemic.
Danny Alvarez	Freedom of Choice! LA healthcare workers are not even dying or being hospitalized due to covid! 99.9% survival rate does not warrant mandates or



**PUBLIC REQUEST TO ADDRESS  
THE BOARD OF SUPERVISORS  
COUNTY OF LOS ANGELES, CALIFORNIA**

MEMBERS OF THE BOARD

HILDA L. SOLIS  
HOLLY J. MITCHELL  
SHEILA KUEHL  
JANICE HAHN  
KATHRYN BARGER

**Correspondence Received**

	punishments for not being vaxxed! No to forced injections or lose your job!!
Deb Sanchez	
Denice Grant	
Douglas Lehrer	<p>The Constitution protects a person's freedom of choice to refuse unwanted medical treatment.</p> <p>The Director of the CDC Rachel Walensky, Dr. Anthony Fauci, and the WHO have all had to acknowledge that the vaccines cannot stop transmission. Both the vaccinated and unvaccinated carry similar viral loads.</p> <p>The COVID vaccines have injured and killed far more Americans than all other vaccines combined over three decades. The vaccines are so risky that the insurance industry has refused to underwrite them, and the manufacturers refuse to produce them without blanket immunity from liability.</p> <p>I urge you to honor people's right to make their own decisions for their health, to consider that vaccines cannot prevent transmission, that they are risky, and to oppose this.</p>
Emma F Sharp	
Erika Aleman	
Erika Alvarado	<p>"I strongly oppose Agenda Item 80 in which you would appoint Director of Personnel with the ability to discipline (aka: terminate) County employees who are not in compliance with your Covid 19 vaccine mandates. Usurping the ability to discipline department employees from each department head is an overreach of power and would subject the Board to even more litigation as well as ire of the constituents you are supposed to represent.</p> <p>At a time when other States, Counties, and cities are easing up on Covid 19 restrictions, why is the County becoming even more dictatorial? Sheriff Villanueva and other elected County leaders will have to face the voters if they disagree with his/their position that Fulgent Genetics is not a company to be trusted in light of the information received from the FBI. Why put yourselves in the crossfire by taking on more liability by having the Director of Personnel (aka: B.O.S.) assume each Department's ability to fire their employees? It is a slippery slope and not one you will easily be able to take back once you start.</p> <p>More importantly, the People of LA County will suffer greatly if you choose to give the Director of Personnel this power and have her fire LA County employees such as the thousands of Deputies, and other County employees who are not in compliance w/ your Covid mandates by not enrolling in Fulgent Genetics in order to protect their genetic information and PII from entities with ties to China. The crime and homelessness statistics are out of control in LA County. Firing County employees over Covid 19 mandates which are currently subject to litigation - especially the Fulgent-Genetics mandate -</p>



**PUBLIC REQUEST TO ADDRESS  
THE BOARD OF SUPERVISORS  
COUNTY OF LOS ANGELES, CALIFORNIA**

MEMBERS OF THE BOARD

HILDA L. SOLIS  
HOLLY J. MITCHELL  
SHEILA KUEHL  
JANICE HAHN  
KATHRYN BARGER

**Correspondence Received**

	<p>would clearly exacerbate the demise of LA County.</p> <p>Why would you force County employees to upload their personal information and DNA into Fulgent Genetics which has headquarters in China?! Moreover, China has announced its right to access the records of any companies including Fulgent Genetics that have ties to their country. The FBI was right to express concern to the Sheriff AND MEMBERS OF THIS BOARD that Fulgent Genetics poses a security risk to our nation.</p> <p>Please do NOT vote to TAKE OVER County Dept powers to discipline County employees for alleged violations of your Covid mandates. A vote in favor of Agenda Item 80 will further damage LA County and the trust placed in you by your constituents."</p>
Erin Wheeler	Please leave our county employees out of the political battles. These men and women are the heroes from the beginning of Covid and we should respect their right to say no to the vaccine. It's clear that the board and the sheriff are feuding but the collateral damage shouldn't be those who are already sacrificing to protect us, serve justice and keep us safe.
GABRIELA CRUZ	
Gayle Mah	
George Reynolds	
Grecia Barvoza	I strongly oppose Agenda Item 80.
Guita Mesriani	
Jack Neff	the proposed Project: 1) Will greatly increase Safety Risks by impairing community resilience and emergency response capability, and 2) Does not satisfy CEQA requirements to authorize a valid Negative Declaration. The Department of Regional Planning is correct in recommending Resilience Hubs, but these cannot be effectively implemented as the Project is currently conceived.
James Cunningham	
Janie Smalls	
Jesus Martinez	
Jill Hawkins	
Joan E Swindlehurst	
Jose Alvarez	I oppose this item. Medical choice is personal and not dictated by the employer. COVID-19 vaccines have been proven to be ineffective and don't prevent transmission or the illness. Employees shouldn't be coerced to take it for the sake of keeping their employment.





**PUBLIC REQUEST TO ADDRESS  
THE BOARD OF SUPERVISORS  
COUNTY OF LOS ANGELES, CALIFORNIA**

MEMBERS OF THE BOARD

HILDA L. SOLIS  
HOLLY J. MITCHELL  
SHEILA KUEHL  
JANICE HAHN  
KATHRYN BARGER

**Correspondence Received**

Joshua Robbins	
Kabir Sagoo	It is unconstitutional to force a medical procedure on employees.
Kathleen Egbert	<p>ITEM 80 VIOLATES EUA LAW, the NUREMBURG CODE and BASIC HUMAN RIGHTS</p> <ol style="list-style-type: none"> <li>1. Law regulating use of EUA medical treatments require the recipient give informed consent, WITHOUT COERCION or ENTICEMENT.</li> <li>2. Informed consent by recipients of the C-shots is impossible because all the ingredients or risks have still not been disclosed by the manufacturers.</li> <li>3. Consequently, all you agencies and businesses that have COERCED or ENTICED people into taking the shots against their wills, have VIOLATED THE LAW. YOU are responsible for any harm from these illegal requirements you seek to codify.</li> <li>4. As stated by others, the shots do not prevent transmission or infection by the SARS-CoV-2 virus. Consequently there is no reason to require them for public health purposes. Safety and efficacy claims by shot manufacturers are deceptive and/or fraudulent. Documents released by ongoing court orders are clearly establishing this.</li> <li>5. Adverse events INCLUDING DEATH or PERMANENT SERIOUS DISABILITY, even as underreported by factors between 31-100 in VAERS since C-shot injections started, are massively higher than ALL DEATHS and PERMANENT DISABILITITES reported since VAERS began.</li> </ol>
Kathleen Gildred	<p>This is totally unfair to people's right to make their own health decisions. The Director of the CDC Rachel Walensky, Dr. Anthony Fauci, and the WHO have all had to acknowledge that the vaccines cannot stop transmission. Both the vaccinated and unvaccinated carry similar viral loads.</p> <p>Many billions of vaccines have been administered during the past thirty-two years, yet in just eight months, the COVID vaccines have injured and killed far more Americans than all other vaccines combined over three decades. The vaccines are so risky that the insurance industry has refused to underwrite them, and the manufacturers refuse to produce them without blanket immunity from liability.</p> <p>I urge you to honor people's right to make their own decisions for their health, to consider that vaccines cannot prevent transmission, that they are risky, and to oppose this.</p> <p>Thank you, Kathleen Gildred</p>
Keith Robinsons	Terrible idea.
Kelly B	I strongly oppose Agenda Item 80 in which you would appoint Director of Personnel with the ability to discipline (aka: terminate) County employees who are not in compliance with your Covid 19 vaccine mandates. Usurping the ability to discipline Dept employees from each department head is an overreach of power and would subject the Board to even more litigation as





**PUBLIC REQUEST TO ADDRESS  
THE BOARD OF SUPERVISORS  
COUNTY OF LOS ANGELES, CALIFORNIA**

MEMBERS OF THE BOARD

HILDA L. SOLIS  
HOLLY J. MITCHELL  
SHEILA KUEHL  
JANICE HAHN  
KATHRYN BARGER

**Correspondence Received**

	<p>well as ire of the constituents you are supposed to represent.</p> <p>At a time when other States, Counties, and cities are easing up on Covid 19 restrictions, why is the County becoming even more dictatorial? Sheriff Villanueva and other elected County leaders will have to face the voters if they disagree with his/their position that Fulgent Genetics is not a company to be trusted in light of the information received from the FBI. Why put yourselves in the crossfire by taking on more liability by having the Director of Personnel (aka: B.O.S.) assume each Department's ability to fire their employees? It is a slippery slope and not one you will easily be able to take back once you start.</p> <p>More importantly, the People of LA County will suffer greatly if you choose to give the Director of Personnel this power and have her fire LA County employees such as the thousands of Deputies, and other County employees who are not in compliance w/ your Covid mandates by not enrolling in Fulgent Genetics in order to protect their genetic information and PII from entities with ties to China. The crime and homelessness statistics are out of control in LA County. Firing County employees over Covid 19 mandates which are currently subject to litigation - especially the Fulgent-Genetics mandate - would clearly exacerbate the demise of LA County.</p> <p>Why would you force County employees to upload their personal information and DNA into Fulgent Genetics which has headquarters in China?! Moreover, China has announced its right to access the records of any companies including Fulgent Genetics that have ties to their country. The FBI was right to express concern to the Sheriff AND MEMBERS OF THIS BOARD that Fulgent Genetics poses a security risk to our nation.</p> <p>Please do NOT vote to TAKE OVER County Dept powers to discipline County employees for alleged violations of your Covid mandates. A vote in favor of Agenda Item 80 will further damage LA County and the trust placed in you by your constituents."</p>
Kevin Wu	<p>This is a political agenda against one department, Sheriff, where the Sheriff is an elected official and should be held accountable to the people and not to the Board. The BOARD is overreaching and the BOARD is filled with horrible leadership lacking accountability. The BOARD only cares about their own power and not LA CITIZENS. the BOARD should be voted out or resign</p>
Kristin R Glover	<p>Again, the forcing or coercion to take a medical procedure (especially an experimental medical procedure) in order to secure or keep employment is patently wrong and illegal. Those who try to impose such absurd requirements will be proven wrong in courts of law and will likely be punished for such crimes against humanity. Do NOT go forward with this absurd and punitive measure. Of course, it is now common knowledge that the covid shots are ineffective and do not prevent disease or even prevent the transmission of it. We know this!! Why then persist in forcing it upon city</p>



**PUBLIC REQUEST TO ADDRESS  
THE BOARD OF SUPERVISORS  
COUNTY OF LOS ANGELES, CALIFORNIA**

MEMBERS OF THE BOARD

HILDA L. SOLIS  
HOLLY J. MITCHELL  
SHEILA KUEHL  
JANICE HAHN  
KATHRYN BARGER

**Correspondence Received**

	employees?
Lachicha Phillips	This bill is giving the chief of personnel too much power to broadly discipline county workers. This is not based on abilities, actual science, and respect for personal property and beliefs. We must make reasonable accommodations to individuals who exercise their freedom of private property and religious freedoms. If these foundational values are ignored, we are no greater than other draconian regimes who rule based on fear and intimidation. It is not right
Larry Brownstein	Walensky and Gates both have admitted that the vaccines do not prevent transmission. Therefore, there is no basis upon which to force employees to be vaccinated. Further, the vaccines are dangerous and still under emergency use authorization. You can not require employees to take an experimental medication. Also, according to VAERS these vaccines are about 100 times as deadly as previous vaccines. How dare you even consider forcing employees to take a dangerous product!
Lonnie Gordon	You heard the testimony from many people with whom I agree, so I will not write more.
Louis Cangemi	<p>The Constitution protects a person's freedom of choice to refuse unwanted medical treatment.</p> <p>The Director of the CDC Rachel Walensky, Dr. Anthony Fauci, and the WHO have all had to acknowledge that the vaccines cannot stop transmission. Both the vaccinated and unvaccinated carry similar viral loads.</p> <p>The COVID vaccines have injured and killed far more Americans than all other vaccines combined over three decades. The vaccines are so risky that the insurance industry has refused to underwrite them, and the manufacturers refuse to produce them without blanket immunity from liability.</p> <p>I urge you to honor people's right to make their own decisions for their health, to consider that vaccines cannot prevent transmission, that they are risky, and to oppose this.</p>
Manuel Carrasco	OPPOSE YOU ARE HURING FAMILIES AND TAKING AWAY FROM THERE LIVELIHOOD... I oppose!!
Mark Linley	
Martha Johnston	
Mary Martinez	The Constitution protects a person's freedom of choice to refuse unwanted medical treatment.
Megan Deschamps	
Michael Lin	Do NOT fire 4,000 LA County Sheriff officers!
Millette San Pedro	



**PUBLIC REQUEST TO ADDRESS  
THE BOARD OF SUPERVISORS  
COUNTY OF LOS ANGELES, CALIFORNIA**

MEMBERS OF THE BOARD

HILDA L. SOLIS  
HOLLY J. MITCHELL  
SHEILA KUEHL  
JANICE HAHN  
KATHRYN BARGER

**Correspondence Received**

Mindy Sue	No. Please do not do this. It can't be legal. More messes for LA County.
Natasha Majano	
Nicholas Saylor	<p>I strongly urge you to vote against item 68 and permanently end item 80. As this pandemic has dragged on for over two years, more and more information has come forth to the public. With that information, states, counties and cities around the country are moving away from mandates, and yet Los Angeles continues to double down. The recent release of Pfizer information shows that they knew natural immunity is a real thing and just as effective (if not more) as the vaccine they developed. They also observed that multiple doses of the vaccine increased the risk of adverse effects particularly for younger cohorts. I don't deny that the vaccine can be affective for particular individuals who are at an advanced age or have multiple co-morbidities. But the fact that this vaccine does not prevent transmissibility or stop someone from getting the virus, means that it is what it always should've been, a personal health choice. These moves to terminate up to 18,000 county employees including doctors, nurses, firefighters and police officers who worked throughout the early days of the pandemic, who worked prior to the release of this vaccine is a betrayal. It is a betrayal to these individuals who never stopped working and who put themselves at risk for the community. Many of these individuals already contracted the virus and thus have natural immunity.</p> <p>There are far more frightening things than this virus, in the face of those we need our doctors, we need our nurses, we need our firefighter, and we need our police officers. The sheriff has told you that this action would result in the loss of 4000 deputies. What I would be willing to wager is that a majority of those 4000 come from patrol divisions. To lose those patrol deputies would be devastating to Los Angeles county. Particularly in a time with rising crime, your constituents need deputies on the streets. Your constituents need firefighters. Your constituents have called for weeks urging you not to take this action. Supervisor Barger I thank you for hearing your constituents and for thinking of us. Know that we see you and we support you in saying no to this. For the rest of you, I urge you to hear your constituents. I urge you to think of them. Do the right thing for LA County and vote against these items. But I fear that you are not hearing me, and so I say to you something that I think will have more affect, think of yourselves. Know that if you move forward with this and terminate 18000 county employees. We will come for your political careers. The constituency will not abide this, and you will all be voted out.</p>
Nicole Flood	<p>I strongly oppose Agenda Item 80 in which you would appoint Director of Personnel with the ability to discipline (aka: terminate) County employees who are not in compliance with your Covid 19 vaccine mandates. Usurping the ability to discipline Dept employees from each department head is an overreach of power and would subject the Board to even more litigation as well as ire of the constituents you are supposed to represent.</p> <p>At a time when other States, Counties, and cities are easing up on Covid 19 restrictions, why is the County becoming even more dictatorial? Sheriff</p>



**PUBLIC REQUEST TO ADDRESS  
THE BOARD OF SUPERVISORS  
COUNTY OF LOS ANGELES, CALIFORNIA**

MEMBERS OF THE BOARD

HILDA L. SOLIS  
HOLLY J. MITCHELL  
SHEILA KUEHL  
JANICE HAHN  
KATHRYN BARGER

**Correspondence Received**

	<p>Villanueva and other elected County leaders will have to face the voters if they disagree with his position that Fulgent Genetics is not a company to be trusted in light of the information he received from the FBI. Why put yourselves in the crossfire by taking on more liability by having the Director of Personnel (aka: B.O.S.) assume each Department's ability to fire their employees? It is a slippery slope and not one you will easily be able to take back once you start.</p> <p>More importantly, the People of LA County will suffer greatly if you choose to give the Director of Personnel this power and have her/him fire LA County employees such as the thousands of Deputies, and other County employees who are not in compliance w/ your Covid mandates by refusing to enroll Fulgent Genetics. The crime and homelessness statistics are out of control in LA County. Firing County employees over Covid 19 mandates which are currently subject to litigation - especially the Fulgent-Genetics mandate - would clearly exacerbate the demise of LA County.</p> <p>Why would you force County employees to upload their personal information and DNA into Fulgent Genetics which has headquarters in China?! Moreover, China has announced its right to access the records of any companies including Fulgent Genetics that have ties to their country. The FBI was right to express concern to the Sheriff AND MEMBERS OF THIS BOARD that Fulgent Genetics poses a security risk to our nation.</p> <p>Please do NOT vote to TAKE OVER County Dept powers to discipline County employees for alleged violations of your Covid mandates. A vote in favor of Agenda Item 80 is an abuse of your powers and will further damage LA County and the trust placed in you by your constituents.</p>
Nicole Radoumis	
Rachelle Paniccia	<p>This is against the constitution of freedom of liberty and property. Mandating the vaccine on employees will cause a mass firing which is illegal. Covid is at the endemic stage as pwr all over states. This should no pass. If it does, we will hold the Board of Supervisors responsible for every death that comes from people javing to choose between work and this shot. We the people will file agaisnt every tyrannical leader and you will fall.</p>
Rina Huevo	<p>I oppose this motion. Vaccines should be optional and not mandated specially the Covid-19 vaccine as it's effectiveness is very low. Most people have natural immunity which is the same or better than the vaccine. It should be up to each individual to decide if they want to be vaccinated. Vaccinated people still spread the virus to others so it doesn't make sense to make it a requirement for county employees. This is unconstitutional.</p>
Robert TG	<p>Medical Freedom is a Human Right! Coercion is NOT Consent!</p>
Rocio Montoya	
Rola Masri	<p>We have to consider the impact of small cell technology on energy usage and</p>



**PUBLIC REQUEST TO ADDRESS  
THE BOARD OF SUPERVISORS  
COUNTY OF LOS ANGELES, CALIFORNIA**

MEMBERS OF THE BOARD

HILDA L. SOLIS  
HOLLY J. MITCHELL  
SHEILA KUEHL  
JANICE HAHN  
KATHRYN BARGER

**Correspondence Received**

	<p>the environment especially when we have alternative technology that works better and uses less electricity.</p> <p>According to a joint study released by InterDigital and ABI Research, the 5G ecosystem will see a 160% increase in power requirements by 2030. <a href="http://datacenter-forum.com/datacenter-forum/5g-will-prompt-energy-consumption-to-grow-by-staggering-160-in-10-years">datacenter-forum.com/datacenter-forum/5g-will-prompt-energy-consumption-to-grow-by-staggering-160-in-10-years</a></p> <p>According to Boston Consulting group, currently the information and communications technology industry is responsible for about 3% to 4% of global carbon-dioxide emissions and by 2040, the industry could account for up to 14% of global emissions.</p> <p>Huawei analyst Dr. Anders Andrae says once base stations, data centres and devices are added up, telecommunications could consume over 20% of the world's electricity by 2025, (compared to approximately 11% currently). Compare that with global aviation's 2.5% share of : In a worst-case scenario 5G could create almost ten times that by 2030. <a href="http://envirotecmagazine.com/2021/11/08/how-green-is-5g/">envirotecmagazine.com/2021/11/08/how-green-is-5g/</a></p> <p>According to an article published in IEEE Magazine titled "Energy Consumption in Wired and Wireless Access Networks" it was found that Wireless technologies will continue to consume at least 10 times more power than fiber to the premise when providing comparable access rates and traffic volumes. When comparing the energy consumption of wired fiber optic connection to the premise to wireless it was found that Fiber optic networks to the premise are the most energy-efficient access solutions at high access rates.</p> <p>Why is LA County continuing to streamline small cells when we have a much more reliable and energy efficient Fiber to the premise solution? CEQA and NEPA analysis should not be exempted when current research is showing us that we are headed into disaster with the environment. We cannot afford to make a mistake here.</p>
sally maslon	<p>The Constitution protects a person's freedom of choice to refuse unwanted medical treatment.</p> <p>The Director of the CDC Rachel Walensky, Dr. Anthony Fauci, and the WHO have all had to acknowledge that the vaccines cannot stop transmission. Both the vaccinated and unvaccinated carry similar viral loads.</p> <p>The COVID vaccines have injured and killed far more Americans than all other vaccines combined over three decades. The vaccines are so risky that the insurance industry has refused to underwrite them, and the manufacturers refuse to produce them without blanket immunity from liability.</p> <p>I urge you to honor people's right to make their own decisions for their health,</p>



**PUBLIC REQUEST TO ADDRESS  
THE BOARD OF SUPERVISORS  
COUNTY OF LOS ANGELES, CALIFORNIA**

MEMBERS OF THE BOARD

HILDA L. SOLIS  
HOLLY J. MITCHELL  
SHEILA KUEHL  
JANICE HAHN  
KATHRYN BARGER

**Correspondence Received**

	to consider that vaccines cannot prevent transmission, that they are risky, and to oppose this.
Sandy Concha	Strongly oppose that you have the authority to try and implement this.
Sebastian Nixon	<p>The Constitution protects a person's freedom of choice to refuse unwanted medical treatment.</p> <p>The Director of the CDC Rachel Walensky, Dr. Anthony Fauci, and the WHO have all had to acknowledge that the vaccines cannot stop transmission. Both the vaccinated and unvaccinated carry similar viral loads.</p> <p>The COVID vaccines have injured and killed far more Americans than all other vaccines combined over three decades. The vaccines are so risky that the insurance industry has refused to underwrite them, and the manufacturers refuse to produce them without blanket immunity from liability.</p> <p>I urge you to honor people's right to make their own decisions for their health, to consider that vaccines cannot prevent transmission</p>
Shane Chapman	
Shannon Sellers	
Stephanie Wohl	<p>"I strongly oppose Agenda Item 80 in which you would appoint Director of Personnel with the ability to discipline (aka: terminate) County employees who are not in compliance with your Covid 19 vaccine mandates. Usurping the ability to discipline department employees from each department head is an overreach of power and would subject the Board to even more litigation as well as ire of the constituents you are supposed to represent.</p> <p>At a time when other States, Counties, and cities are easing up on Covid 19 restrictions, why is the County becoming even more dictatorial? Sheriff Villanueva and other elected County leaders will have to face the voters if they disagree with his/their position that Fulgent Genetics is not a company to be trusted in light of the information received from the FBI. Why put yourselves in the crossfire by taking on more liability by having the Director of Personnel (aka: B.O.S.) assume each Department's ability to fire their employees? It is a slippery slope and not one you will easily be able to take back once you start.</p> <p>More importantly, the People of LA County will suffer greatly if you choose to give the Director of Personnel this power and have her fire LA County employees such as the thousands of Deputies, and other County employees who are not in compliance w/ your Covid mandates by not enrolling in Fulgent Genetics in order to protect their genetic information and PII from entities with ties to China. The crime and homelessness statistics are out of control in LA County. Firing County employees over Covid 19 mandates which are currently subject to litigation - especially the Fulgent-Genetics mandate - would clearly exacerbate the demise of LA County.</p> <p>Why would you force County employees to upload their personal information and DNA into Fulgent Genetics which has headquarters in China?! Moreover, China has announced its right to access the records of</p>



**PUBLIC REQUEST TO ADDRESS  
THE BOARD OF SUPERVISORS  
COUNTY OF LOS ANGELES, CALIFORNIA**

MEMBERS OF THE BOARD

HILDA L. SOLIS  
HOLLY J. MITCHELL  
SHEILA KUEHL  
JANICE HAHN  
KATHRYN BARGER

**Correspondence Received**

	<p>any companies including Fulgent Genetics that have ties to their country. The FBI was right to express concern to the Sheriff AND MEMBERS OF THIS BOARD that Fulgent Genetics poses a security risk to our nation.</p> <p>Please do NOT vote to TAKE OVER County Dept powers to discipline County employees for alleged violations of your Covid mandates. A vote in favor of Agenda Item 80 will further damage LA County and the trust placed in you by your constituents."</p>
Steve Montoya	
Susan A	
Sybille Moen	Strongly oppose
Sylvia Rostami	<p>Dear Board Members, Please vote NO on this Amendment. It actually seeks to disciplines County employees for noncompliance with COVID-19 Vaccination Policy. This is an insane and unconstitutional violation of people's bodily autonomy, especially after even the CDC itself has acknowledged that vaxed and unvaxed individuals can contract, spread, and become sick with Covid. Moreover, I personally know 3 people who have either died or been permanently devastated immediately after getting the so called vaccine. These vaccines have already, according to the CDC's own data, KILLED 26,000 people and seriously harmed 1.2 MILLION more!!! This is MANY TIMES more devastation than all other vaccines in all US history, COMBINED! Let's not go into authoritarianism and let's allow people to make their own decisions about their own body and health. Thank you.</p>
Tami A Olenik	
Tony Herrarte	Strongly oppose.
Veronika Pascual	<p>"I strongly oppose Agenda Item 80 whereby you appoint Director of Personnel and allow him/her to discipline (aka: terminate) County employees who are not in compliance with your Covid 19 vaccine mandates. It is an overreach of power and would subject the Board to even more litigation as well as frustrate your constituents you are supposed to represent.</p> <p>Currently other States, Counties, and cities are easing up on Covid 19 restrictions, why is the County becoming even more dictatorial? Sheriff Villanueva and other elected County leaders will have to face the voters if they disagree with his/their position that Fulgent Genetics is not a company to be trusted in light of the information received from the FBI. Why undermining further your credibility by having the Director of Personnel (aka: B.O.S.) assume each Department's ability to fire their employees? It is a slippery slope and not one you will easily be able to take back once you start.</p> <p>More importantly, the People of LA County will suffer greatly if you choose to</p>





**PUBLIC REQUEST TO ADDRESS  
THE BOARD OF SUPERVISORS  
COUNTY OF LOS ANGELES, CALIFORNIA**

MEMBERS OF THE BOARD

HILDA L. SOLIS  
HOLLY J. MITCHELL  
SHEILA KUEHL  
JANICE HAHN  
KATHRYN BARGER

**Correspondence Received**

	<p>give the Director of Personnel this power and have her fire LA County employees such as the thousands of Deputies, and other County employees who are not in compliance w/ your Covid mandates by not enrolling in Fulgent Genetics in order to protect their genetic information and PII from entities with ties to China. The crime and homelessness statistics are out of control in LA County. Firing County employees over Covid 19 mandates which are currently subject to litigation - especially the Fulgent-Genetics mandate - would clearly exacerbate the demise of LA County.</p> <p>Why would you force County employees to upload their personal information and DNA into Fulgent Genetics which has headquarters in China?! Moreover, China has announced its right to access the records of any companies including Fulgent Genetics that have ties to their country. The FBI was right to express concern to the Sheriff AND MEMBERS OF THIS BOARD that Fulgent Genetics poses a security risk to our nation.</p> <p>Please do NOT vote to TAKE OVER County Dept powers to discipline County employees for alleged violations of your Covid mandates. A vote in favor of Agenda Item 80 will further damage LA County and the trust placed in you by your constituents."</p>
Victoria Jones	Local LEOs should not be overruled regarding personnel changes, and especially not in order to fire important safety officers needed in the community.
victoria roizen	I strongly oppose.
Vivian Edmondson	
Widget Moseley	
William Horn	Strongly oppose
Yesenia Mota	<p>I strongly oppose Agenda Item 80 in which you would appoint Director of Personnel with the ability to discipline (aka: terminate) County employees who are not in compliance with your Covid 19 vaccine mandates. Usurping the ability to discipline department employees from each department head is an overreach of power and would subject the Board to even more litigation as well as ire of the constituents you are supposed to represent.</p> <p>At a time when other States, Counties, and cities are easing up on Covid 19 restrictions, why is the County becoming even more dictatorial? Sheriff Villanueva and other elected County leaders will have to face the voters if they disagree with his/their position that Fulgent Genetics is not a company to be trusted in light of the information received from the FBI. Why put yourselves in the crossfire by taking on more liability by having the Director of Personnel (aka: B.O.S.) assume each Department's ability to fire their employees? It is a slippery slope and not one you will easily be able to take back once you start.</p> <p>More importantly, the People of LA County will suffer greatly if you choose to</p>



**PUBLIC REQUEST TO ADDRESS  
THE BOARD OF SUPERVISORS  
COUNTY OF LOS ANGELES, CALIFORNIA**

MEMBERS OF THE BOARD

HILDA L. SOLIS  
HOLLY J. MITCHELL  
SHEILA KUEHL  
JANICE HAHN  
KATHRYN BARGER

**Correspondence Received**

give the Director of Personnel this power and have her fire LA County employees such as the thousands of Deputies, and other County employees who are not in compliance w/ your Covid mandates by not enrolling in Fulgent Genetics in order to protect their genetic information and PII from entities with ties to China. The crime and homelessness statistics are out of control in LA County. Firing County employees over Covid 19 mandates which are currently subject to litigation - especially the Fulgent-Genetics mandate - would clearly exacerbate the demise of LA County.

Why would you force County employees to upload their personal information and DNA into Fulgent Genetics which has headquarters in China?! Moreover, China has announced its right to access the records of any companies including Fulgent Genetics that have ties to their country. The FBI was right to express concern to the Sheriff AND MEMBERS OF THIS BOARD that Fulgent Genetics poses a security risk to our nation.

Please do NOT vote to TAKE OVER County Dept powers to discipline County employees for alleged violations of your Covid mandates. A vote in favor of Agenda Item 80 will further damage LA County and the trust placed in you by your constituents."

And my oppo to 4/05/22 opposition to Agenda Item 68:

"I strongly oppose upcoming Agenda Item 68 - the adoption of 2.07.040 which would interfere with a Dept Head's ability to appoint to a position of unclassified service any qualified person simply because they are not in agreement/compliance with the County's Covid-19 vaccination policy OR have not enforced that policy. This Board has implemented Covid Vaccine policies that force EUA vaccines and testing as a condition of employment. To do so is in violation of EUA - EMERGENCY USE AUTHORIZATION - which REQUIRES INFORMED VOLUNTARY CONSENT by the recipient of the EUA Vaccine/test! Forcing anyone to choose to risk taking an EUA vaccine and making their DNA accessible by China via Fulgent or face losing the job they have served faithfully for years is NOT informed voluntary consent as required by EUA.

Dept Heads have recognized the legal peril this Board has placed upon them by imposing these controversial mandates which do NOT comply with the Geneva Convention re: Experimental Testing upon Unwilling Human Beings and the law of EUA. Moreover, the Dept. Heads are facing the reality that many employees will choose to leave or be terminated as a result of these illegal Mandates that are currently the subject of litigation. The County will face irreparable harm if this Board chooses to only appoint those who will comply with these illegal mandates without consideration that each Dept Head knows the unique needs of their departments and long term catastrophic consequences of these LA County Board Covid mandates.

				At a time when other States, Counties, and Cities are eliminating Covid 19 mandates, this Board must recognize this adoption of 2.07.040 would NOT be in the best interests of their constituents.
		<b>Other</b>	Genevieve M Clavreul	Does the County already have a similar ordinance in place for other vaccinations – such as the flu vaccine? If not it could appear that the county is singling out individuals who have an objection (medical or religious) against the vaccine and this could be seen as unconstitutional.
		<b>Item Total</b>	<b>90</b>	
<b>Grand Total</b>			<b>90</b>	

# The Fauci/COVID-19 Dossier

This document is prepared for humanity by Dr. David E. Martin.



# The Fauci/COVID-19 Dossier

This document is prepared for humanity by Dr. David E. Martin.



*This work was supported, in part, by a fund-raising effort in which approximately 330 persons contributed funds in support of the New Earth technology team and Urban Global Health Alliance. It is released under a Creative Commons license CC-BY-NC-SA. Any derivative use of this dossier must be made public for the benefit of others. All documents, references and disclosures contained herein are subject to an AS-IS representation. The author does not bear responsibility for errors in the public record or references therein. Throughout this document, uses of terms commonly accepted in medical and scientific literature do not imply acceptance or rejection of the dogma that they represent.*

## **Background:**

Over the past two decades, my company – M-CAM – has been monitoring possible violations of the 1925 Protocol for the Prohibition of the Use in War of Asphyxiating, Poisonous, or other Gases, and of Bacteriological Methods of Warfare (the Geneva Protocol) 1972 Convention on the Prohibition of the Development, Production, and Stockpiling of Bacteriological and Toxin Weapons and Their Destruction (the BTWC). In our 2003-2004 **Global Technology Assessment: Vector Weaponization** M-CAM highlighted China's growing involvement in Polymerase Chain Reaction (PCR) technology with respect to joining the world stage in chimeric construction of viral vectors. Since that time, on a weekly basis, we have monitored the development of research and commercial efforts in this field, including, but not limited to, the research synergies forming between the United States Centers for Disease Control and Prevention (CDC), the National Institutes for Allergies and Infectious Diseases (NIAID), the University of North Carolina at Chapel Hill (UNC), Harvard University, Emory University, Vanderbilt University, Tsinghua University, University of Pennsylvania, many other research institutions, and their commercial affiliations.

The National Institute of Health's grant AI23946-08 issued to Dr. Ralph Baric at the University of North Carolina at Chapel Hill (officially classified as affiliated with Dr. Anthony Fauci's NIAID by at least 2003) began the work on synthetically altering the *Coronaviridae* (the coronavirus family) for the express purpose of general research, pathogenic enhancement, detection, manipulation, and potential therapeutic interventions targeting the same. As early as May 21, 2000, Dr. Baric and UNC sought to patent critical sections of the coronavirus family for their commercial benefit.<sup>1</sup> In one of the several papers derived from work sponsored by this grant, Dr. Baric published what he reported to be the full length cDNA of SARS CoV in which it was clearly stated that SAR CoV was based on a composite of DNA segments.

*"Using a panel of contiguous cDNAs that span the entire genome, we have assembled a full-length cDNA of the SARS-CoV Urbani strain, and have rescued molecularly cloned SARS viruses (infectious clone SARS-CoV) that contained the expected marker mutations inserted into the component clones."<sup>2</sup>*

On April 19, 2002 – the Spring before the first SARS outbreak in Asia – Christopher M. Curtis, Boyd Yount, and Ralph Baric filed an application for U.S. Patent 7,279,372 for a method of producing recombinant coronavirus. In the first public record of the claims, they sought to patent a means of producing, "an infectious, replication defective, coronavirus." This work was supported by the NIH grant referenced above and GM63228. In short, the U.S. Department of Health and Human Services was involved in the funding of amplifying the infectious nature of coronavirus between 1999 and 2002 **before SARS** was ever detected in humans.

<sup>1</sup> U.S. Provisional Application No. 60/206,537, filed May 21, 2000

<sup>2</sup> <https://www.pnas.org/content/100/22/12995>

Against this backdrop, we noted the unusual patent prosecution efforts of the CDC, when on April 25, 2003 they sought to patent the SARS coronavirus isolated from humans that had reportedly transferred to humans during the 2002-2003 SARS outbreak in Asia. 35 U.S.C. §101 prohibits patenting nature. This legality did not deter CDC in their efforts. Their application, updated in 2007, ultimately issued as U.S. Patent 7,220,852 and constrained anyone not licensed by their patent from manipulating SARS CoV, developing tests or kits to measure SARS coronavirus in humans or working with their patented virus for therapeutic use. Work associated with this virus by their select collaborators included considerable amounts of chimeric engineering, gain-of-function studies, viral characterization, detection, treatment (both vaccine and therapeutic intervention), and weaponization inquiries.

In short, with Baric's U.S. Patent 6,593,111 (Claims 1 and 5) and CDC's '852 patent (Claim 1), no research in the United States could be conducted without permission or infringement.

We noted that gain-of-function specialist, Dr. Ralph Baric, was both the recipient of millions of dollars of U.S. research grants from several federal agencies but also sat on the World Health Organization's International Committee on Taxonomy of Viruses (ICTV) and the *Coronaviridae* Study Group (CSG). In this capacity, he was both responsible for determining "novelty" of clades of virus species but directly benefitted from determining declarations of novelty in the form of new research funding authorizations and associated patenting and commercial collaboration. Together with CDC, NIAID, WHO, academic and commercial parties (including Johnson & Johnson; Sanofi and their several coronavirus patent holding biotech companies; Moderna; Ridgeback; Gilead; Sherlock Biosciences; and, others), a powerful group of interests constituted what we would suggest are "interlocking directorates" under U.S. anti-trust laws.

These entities also were affiliated with the WHO's Global Preparedness Monitoring Board (GPMB) whose members were instrumental in the Open Philanthropy-funded global coronavirus pandemic "desk-top" exercise EVENT 201 in October 2019. This event, funded by the principal investor in Sherlock Biosciences and linking interlocking funding partner, the Bill and Melinda Gates Foundation into the GPMB mandate for a respiratory disease global preparedness exercise to be completed by September 2020 alerted us to anticipate an "epidemic" scenario. We expected to see such a scenario emerge from Wuhan or Guangdong China, northern Italy, Seattle, New York or a combination thereof, as Dr. Zhengli Shi and Dr. Baric's work on zoonotic transmission of coronavirus identified overlapping mutations in coronavirus in bat populations located in these areas.

This dossier is by no means exhaustive. It is, however, indicative the numerous criminal violations that may be associated with the COVID-19 terrorism. All source materials are referenced herein. An additional detailed breakdown of all the of individuals, research institutions, foundations, funding sources, and commercial enterprises can be accessed upon request.

## Contents

35 U.S.C. § 101 .....	5
18 U.S.C. §2339 C <i>et seq.</i> – Funding and Conspiring to Commit Acts of Terror .....	7
18 U.S.C. § 2331 §§ 802 – Acts of Domestic Terrorism resulting in death of American Citizens .....	10
18 U.S.C. § 1001 – Lying to Congress .....	12
15 U.S.C. §1-3 – Conspiring to Criminal Commercial Activity.....	16
15 U.S.C. §8 – Market Manipulation and Allocation.....	20
15 U.S.C. § 19 – Interlocking Directorates .....	21
35 U.S.C. §200 - 206 – Disclosure of Government Interest .....	23
21 C.F.R. § 50.24 <i>et seq.</i> , Illegal Clinical Trial .....	25
The Commercial Actors.....	27



## 35 U.S.C. § 101

From Justice Clarence Thomas' opinion for the majority

**Section 101 of the Patent Act provides: "Whoever invents or discovers any new and useful ... composition of matter, or any new and useful improvement thereof, may obtain a patent therefor, subject to the conditions and requirements of this title." 35 U.S.C. § 101.**

**We have "long held that this provision contains an important implicit exception[:] Laws of nature, natural phenomena, and abstract ideas are not patentable." *Mayo*, 566 U.S., at \_\_\_, 132 S.Ct., at 1293 (internal quotation marks and brackets omitted). Rather, "they are the basic tools of scientific and technological work" that lie beyond the domain of patent protection. *Id.*, at \_\_\_, 132 S.Ct., at 1293. As the Court has explained, without this exception, there would be considerable danger that the grant of patents would "tie up" the use of such tools and thereby "inhibit future innovation premised upon them." *Id.*, at \_\_\_, 132 S.Ct., at 1301. This would be at odds with the very point of patents, which exist to promote creation. *Diamond v. Chakrabarty*, 447 U.S. 303, 309, 100 S.Ct. 2204, 65 L.Ed.2d 144 (1980) (Products of nature are not created, and "manifestations... of nature [are] free to all men and reserved exclusively to none").<sup>3</sup>**

In their majority opinion in 2013, the U.S. Supreme Court made it abundantly clear that the Court had "long held" that nature was not patentable. Merely isolating DNA does not constitute patentable subject matter. In their patent, the CDC made false and misleading claims to the United States Patent & Trademark Office by stating that, "A newly isolated human coronavirus has been identified as the causative agent of SARS, and is termed SARS-CoV."<sup>4</sup> No "causal" data was provided for this statement.

When they filed their patent application on April 25, 2003 their first claim (and the only one that survived to ultimate issuance over the objection of the patent examiner in 2006 and 2007) was the genome for SARS CoV.

While this patent is clearly illegal under 35 U.S.C. §101, not only did the CDC insist on its granting over non-final and final rejections, but they also continued to pay maintenance fees on the patent after the 2013 Supreme Court decision confirmed that it was illegal.

In addition, the CDC patented the detection of SARS CoV using a number of methods including reverse transcription polymerase chain reaction (RT-PCR). With this patent, they precluded anyone outside of their licensed or conspiring interest from legally engaging in independent verification of their claim that they had isolated a virus, that it was a causative agent for SARS, or that any therapy could be effective against the reported pathogen.

It is important to note that the CDC's patent applications were also rejected in non-final and final rejections for ineligibility under 35 U.S.C. § 102 for being publicly disclosed prior to their own filing. In the first non-final rejection, the USPTO stated that the CDC's genome was published in four Genbank accession entries on April 14, 18, and 21, 2003 with identity ranging from 96.8% to 99.9% identical sequences.<sup>5</sup> Dr. Fauci knew, and failed to disclose evidence that the CDC patent was illegal, based on work he had funded in the years leading up to the SARS outbreak.

After seeking an illegal patent, petitioning to override the decision of an examiner to reject it, and ultimately prevailing with the patent's grant, the CDC lied to the public by stating they were controlling the patent so that it would be "publicly available".<sup>6</sup> Tragically, this public statement is falsified by the simple fact that their own publication in

<sup>3</sup> *Association for Molecular Pathology v. Myriad Genetics, Inc.*, 569 U.S. 576 (2013)

<sup>4</sup> U.S. Patent 7,220,852

<sup>5</sup> USPTO Non-Final Rejection File #10822904, September 7, 2006, page 4.

<sup>6</sup> <https://apnews.com/article/145b4e8d156cddc93e996ae52dc24ec0>

Genbank had, in fact, made it public domain and thereby unpatentable. This fact, confirmed by patent examiners, was overridden by CDC in a paid solicitation to override the law.

While not covered under 35 U.S.C. §101, Dr. Fauci's abuse of the patent law is detailed below. Of note, however, is his willful and deceptive use of the term "vaccine" in patents and public pronouncements to pervert the meaning of the term for the manipulation of the public.

In the 1905 Jacobson v. Mass case, the court was clear that a PUBLIC BENEFIT was required for a vaccine to be mandated. Neither Pfizer nor Moderna have proved a disruption of transmission. In Jacobson v. Massachusetts, 197 U.S. 11 (1905), the court held that the context for their opinion rested on the following principle:

"This court has more than once recognized it as a fundamental principle that 'persons and property are subjected to all kinds of restraints and burdens in order to secure the general comfort, health, and prosperity of the state...'"

The Moderna and Pfizer "alleged vaccine" trials have explicitly acknowledged that their gene therapy technology has no impact on viral infection or transmission whatsoever and merely conveys to the recipient the capacity to produce an S1 spike protein endogenously by the introduction of a synthetic mRNA sequence. Therefore, the basis for the Massachusetts statute and the Supreme Court's determination is moot in this case.

Further, the USPTO, in its REJECTION of Anthony Fauci's HIV vaccine made the following statement supporting their rejection of his bogus "invention"

Application/Control Number: 09/869,003  
Art Unit: 1648

Page 5

These arguments are persuasive to the extent that an antigenic peptide stimulates an immune response that may produce antibodies that bind to a specific peptide or protein but is not persuasive in regards to a vaccine. The immune response produced by a vaccine must be more than merely some immune response but must be protective. As noted in the previous Office Action, the art recognizes the term "vaccine" to be a compound which prevents infection. Applicant has not demonstrated that the instantly claimed vaccine meets even the lower standard set forth in the specification, let alone the standard art definition, for being operative in this regards. Therefore, claims 5, 7, and 9 are not operative as an anti-HIV-1 vaccine and therefore lack patentable utility.

## 18 U.S.C. §2339 C *et seq.* – Funding and Conspiring to Commit Acts of Terror

**Indirectly, unlawfully and willfully provides or collects funds with the intention that such funds be used, or with the knowledge that such funds are to be used, in full or in part, in order to carry out—**

**(A) an act which constitutes an offense within the scope of a treaty specified in subsection (e)(7), as implemented by the United States, or**

**(B) any other act intended to cause death or serious bodily injury to a civilian, or to any other person not taking an active part in the hostilities in a situation of armed conflict, when the purpose of such act, by its nature or context, is to intimidate a population, or to compel a government or an international organization to do or to abstain from doing any act....**

By no later than April 11, 2005, Dr. Anthony Fauci was publicly acknowledging the association of SARS with bioterror potential. Leveraging the fear of the anthrax bioterrorism of 2001, he publicly celebrated the economic boon that domestic terror had directed towards his budget. He specifically stated that NIAID was actively funding research on a “SARS Chip” DNA microarray to rapidly detect SARS (something that was not made available during the current “pandemic”) and two candidate vaccines focused on the SARS CoV spike protein.<sup>7</sup> Led by three Chinese researchers under his employment – Zhi-yong Yang, Wing-pui Kong, and Yue Huang – Fauci had at least one DNA vaccine in animal trials by 2004.<sup>8</sup> This team, part of the Vaccine Research Center at NIAID, was primarily focused on HIV vaccine development but was tasked to identify SARS vaccine candidates as well. Working in collaboration with Sanofi, Scripps Institute, Harvard, MIT and NIH, Dr. Fauci’s decision to unilaterally promote vaccines as a primary intervention for several designated “infectious diseases” precluded ***proven therapies*** from being applied to the sick and dying.<sup>9</sup>

The CDC and NIAID led by Anthony Fauci entered into trade among States (including, but not limited to working with EcoHealth Alliance Inc.) and with foreign nations (specifically, the Wuhan Institute of Virology and the Chinese Academy of Sciences) through the 2014 *et seq* National Institutes of Health Grant R01AI110964 to exploit their patent rights. This research was known to involve surface proteins in coronavirus that had the capacity to directly infect human respiratory systems. In flagrant violation of the NIH moratorium on gain of function research, NIAID and Ralph Baric persisted in working with chimeric coronavirus components specifically to amplify the pathogenicity of the biologic material.

By October 2013, the Wuhan Institute of Virology 1 coronavirus S1 spike protein was described in NIAID’s funded work in China. This work involved NIAID, USAID, and Peter Daszak, the head of EcoHealth Alliance. This work, funded under R01AI079231, was pivotal in isolating and manipulating viral fragments selected from sites across China which contained high risk for severe human response.<sup>10</sup>

By March 2015, both the virulence of the S1 spike protein and the ACE II receptor was known to present a considerable risk to human health. NIAID, EcoHealth Alliance and numerous researchers lamented the fact that the public was not sufficiently concerned about coronavirus to adequately fund their desired research.<sup>11</sup>

Dr. Peter Daszak of EcoHealth Alliance offered the following assessment:

<sup>7</sup> <https://www.ncbi.nlm.nih.gov/pmc/articles/PMC3320336/>

<sup>8</sup> <https://www.ncbi.nlm.nih.gov/pmc/articles/PMC7095382/>

<sup>9</sup> <https://www.ncbi.nlm.nih.gov/pmc/articles/PMC1232869/>

<sup>10</sup> Ge, XY., Li, JL., Yang, XL. *et al.* Isolation and characterization of a bat SARS-like coronavirus that uses the ACE2 receptor. *Nature* **503**, 535–538 (2013).

<sup>11</sup> Forum on Medical and Public Health Preparedness for Catastrophic Events; Forum on Drug Discovery, Development, and Translation; Forum on Microbial Threats; Board on Health Sciences Policy; Board on Global Health; Institute of Medicine; National Academies of Sciences, Engineering, and Medicine. Rapid Medical Countermeasure Response to Infectious Diseases: Enabling Sustainable Capabilities Through Ongoing Public- and Private-Sector Partnerships: Workshop Summary. Washington (DC): National Academies Press (US); 2016 Feb 12. 6, Developing MCMs for Coronaviruses. Available from: <https://www.ncbi.nlm.nih.gov/books/NBK349040/>

*“Daszak reiterated that, until an infectious disease crisis is very real, present, and at an emergency threshold, it is often largely ignored. To sustain the funding base beyond the crisis, he said, we need to increase public understanding of the need for MCMs such as a pan-influenza or pan-coronavirus vaccine. A key driver is the media, and the economics follow the hype. We need to use that hype to our advantage to get to the real issues. Investors will respond if they see profit at the end of process, Daszak stated.”<sup>12</sup>*

### **Economics will follow the hype.**

The CDC and NIAID entered into trade among States (including, but not limited to working with University of North Carolina, Chapel Hill) and with foreign nations (specifically, the Wuhan Institute of Virology and the Chinese Academy of Sciences represented by Zheng-Li Shi) through U19AI109761 (Ralph S. Baric), U19AI107810 (Ralph S. Baric), and National Natural Science Foundation of China Award 81290341 (Zheng-Li Shi) et al. 2015-2016. These projects took place during a time when the work being performed was prohibited by the United States National Institutes of Health.

The public was clearly advised of the dangers being presented by NIAID-funded research by 2015 and 2016 when the Wuhan Institute of Virology material was being manipulated at UNC in Ralph Baric’s lab.

*“The only impact of this work is the creation, in a lab, of a new, non-natural risk,” agrees Richard Ebright, a molecular biologist and biodefence expert at Rutgers University in Piscataway, New Jersey. Both Ebright and Wain-Hobson are long-standing critics of gain-of-function research.*

*In their paper, the study authors also concede that funders may think twice about allowing such experiments in the future. “Scientific review panels may deem similar studies building chimeric viruses based on circulating strains too risky to pursue,” they write, adding that discussion is needed as to “whether these types of chimeric virus studies warrant further investigation versus the inherent risks involved”.*

*But Baric and others say the research did have benefits. The study findings “move this virus from a candidate emerging pathogen to a clear and present danger”, says Peter Daszak, who co-authored the 2013 paper. Daszak is president of the EcoHealth Alliance, an international network of scientists, headquartered in New York City, that samples viruses from animals and people in emerging-diseases hotspots across the globe.*

*Studies testing hybrid viruses in human cell culture and animal models are limited in what they can say about the threat posed by a wild virus, Daszak agrees. But he argues that they can help indicate which pathogens should be prioritized for further research attention.”<sup>13</sup>*

Knowing that the U.S. Department of Health and Human Services (through CDC, NIH, NIAID, and their funded laboratories and commercial partners) had patents on each proposed element of medical counter measures and their funding, Dr. Fauci, Dr. Gao (China CDC), and Dr. Elias (Bill and Melinda Gates Foundation) conspired to commit acts of terror on the global population – including the citizens of the United States – when, in September 2019, they published the following mandate:

*“Countries, donors and multilateral institutions must be prepared for the worst. A rapidly spreading pandemic due to a lethal respiratory pathogen (whether naturally emergent or accidentally or deliberately released) poses additional preparedness requirements. Donors and multilateral institutions must ensure adequate investment in developing innovative vaccines and therapeutics, surge manufacturing capacity, broad-spectrum antivirals and appropriate non-pharmaceutical interventions. All countries must develop a system for immediately sharing genome sequences of any*

---

<sup>12</sup> *Ibid.*

<sup>13</sup> <https://www.nature.com/news/engineered-bat-virus-stirs-debate-over-risky-research-%201.18787>

*new pathogen for public health purposes along with the means to share limited medical countermeasures across countries.*

*Progress indicator(s) by September 2020*

- Donors and countries commit and identify timelines for: financing and development of a universal influenza vaccine, broad spectrum antivirals, and targeted therapeutics. WHO and its Member States develop options for standard procedures and timelines for sharing of sequence data, specimens, and medical countermeasures for pathogens other than influenza.*
- Donors, countries and multilateral institutions develop a multi-year plan and approach for strengthening R&D research capacity, in advance of and during an epidemic.*
- WHO, the United Nations Children’s Fund, the International Federation of Red Cross and Red Crescent Societies, academic and other partners identify strategies for increasing capacity and integration of social science approaches and researchers across the entire preparedness/response continuum.”<sup>14</sup>*

As if to confirm the utility of the September 2019 demand for “financing and development of” vaccine and the fortuitous SARS CoV-2 alleged outbreak in December of 2019, Dr. Fauci began gloating that his fortunes for additional funding were likely changing for the better. In a February 2020 interview in **STAT**, he was quoted as follows:

*““The emergence of the new virus is going to change that figure, likely considerably, Fauci said. “I don’t know how much it’s going to be. But I think it’s going to generate more sustained interest in coronaviruses because it’s very clear that coronaviruses can do really interesting things.””<sup>15</sup>*

---

<sup>14</sup> [https://apps.who.int/gpmb/assets/annual\\_report/GPMB\\_annualreport\\_2019.pdf](https://apps.who.int/gpmb/assets/annual_report/GPMB_annualreport_2019.pdf) (page 8)

<sup>15</sup> <https://www.statnews.com/2020/02/10/fluctuating-funding-and-flagging-interest-hurt-coronavirus-research/>

## 18 U.S.C. § 2331 §§ 802 – Acts of Domestic Terrorism resulting in death of American Citizens

**Section 802 of the USA PATRIOT Act (Pub. L. No. 107-52) expanded the definition of terrorism to cover "domestic," as opposed to international, terrorism. A person engages in domestic terrorism if they do an act "dangerous to human life" that is a violation of the criminal laws of a state or the United States, if the act appears to be intended to: (i) intimidate or coerce a civilian population; (ii) influence the policy of a government by intimidation or coercion;**

Dr. Anthony Fauci has intimidated and coerced a civilian population and sought to influence the policy of a government by intimidation and coercion.

With no corroboration, Dr. Anthony Fauci promoted<sup>16</sup> Professor Neil Ferguson's computer simulation derived claims that,

"The world is facing the most serious public health crisis in generations. Here we provide concrete estimates of the scale of the threat countries now face.

"We use the latest estimates of severity to show that policy strategies which aim to mitigate the epidemic might halve deaths and reduce peak healthcare demand by two-thirds, but that this will not be enough to prevent health systems being overwhelmed. More intensive, and socially disruptive interventions will therefore be required to suppress transmission to low levels. It is likely such measures – most notably, large scale social distancing – will need to be in place for many months, perhaps until a vaccine becomes available."<sup>17</sup>

Reporting to the President that as many as 2.2 million deaths may result from a pathogen that had not yet been isolated and could not be measured with any accuracy, Dr. Fauci intimidated and coerced the population and the government into reckless, untested, and harmful acts creating irreparable harm to lives and livelihoods.<sup>18</sup> Neither the Imperial College nor the "independent" Institute for Health Metrics and Evaluation (principally funded by the Bill and Melinda Gates Foundation)<sup>19</sup> had any evidence of success in estimating previous burdens from coronavirus but, without consultation or peer-review, Dr. Fauci adopted their terrifying estimates as the basis for interventions that are explicitly against medical advice.

- The imposition of social distancing was based on computer simulation and environmental models with NO disease transmission evidence whatsoever.
- The imposition of face mask wearing was directly against controlled clinical trial evidence and against the written policy in the Journal of the American Medical Association.

*"Face masks should not be worn by healthy individuals to protect themselves from acquiring respiratory infection because there is no evidence to suggest that face masks worn by healthy individuals are effective in preventing people from becoming ill."<sup>20</sup>*

- In both the Imperial College and the IHME simulations, **quarantines were modeled for the sick, not the healthy.**

<sup>16</sup> <https://www.cato.org/blog/did-mitigation-save-two-million-lives>

<sup>17</sup> <https://www.imperial.ac.uk/news/196234/covid-19-imperial-researchers-model-likely-impact/>

<sup>18</sup> <https://www.npr.org/2020/03/31/823916343/coronavirus-task-force-set-to-detail-the-data-that-led-to-extension-of-guideline>

<sup>19</sup> <https://www.gatesfoundation.org/Media-Center/Press-Releases/2017/01/IHME-Announcement>

<sup>20</sup> [https://jamanetwork.com/journals/jama/fullarticle/2762694?fbclid=IwAR2RE-c4V-fhUodui0JQRbiHRcgEJuDKG\\_21N4oL5zAfcIQfWCyHAssetJmo](https://jamanetwork.com/journals/jama/fullarticle/2762694?fbclid=IwAR2RE-c4V-fhUodui0JQRbiHRcgEJuDKG_21N4oL5zAfcIQfWCyHAssetJmo)

Insisting on vaccines while blockading the emergency use of proven pharmaceutical interventions may have contributed to the death of many patients and otherwise healthy individuals.<sup>21</sup>

Using the power of NIAID during the alleged pandemic, Dr. Anthony Fauci actively suppressed proven medical countermeasures used by, and validated in scientific proceedings, that offered alternatives to the products funded by his conspiring entities for which he had provided direct funding and for whom he would receive tangible and intangible benefit.

---

<sup>21</sup> <https://www.reuters.com/investigates/special-report/health-coronavirus-usa-cost/>



## 18 U.S.C. § 1001 – Lying to Congress

**(a) Except as otherwise provided in this section, whoever, in any matter within the jurisdiction of the executive, legislative, or judicial branch of the Government of the United States, knowingly and willfully—**

- (1) falsifies, conceals, or covers up by any trick, scheme, or device a material fact;**
- (2) makes any materially false, fictitious, or fraudulent statement or representation; or**
- (3) makes or uses any false writing or document knowing the same to contain any materially false, fictitious, or fraudulent statement or entry;**

**shall be fined under this title, imprisoned not more than 5 years or, if the offense involves international or domestic terrorism (as defined in section 2331), imprisoned not more than 8 years, or both. If the matter relates to an offense under chapter 109A, 109B, 110, or 117, or section 1591, then the term of imprisonment imposed under this section shall be not more than 8 years.**

On October 22, 2020, the United States Government Accountability Office (GAO) published a report entitled: ***BIOMEDICAL RESEARCH: NIH Should Publicly Report More Information about the Licensing of Its Intellectual Property.*** In this document, the authors reported that the National Institutes of Health (NIH) received, “up to \$2 billion in royalties from its contributions to 34 drugs sold from 1991-2019.”<sup>22</sup>

A casual review of the NIH Office of Technology Transfer report of active licenses<sup>23</sup> appears to conflict with the GAO report on several important facts. Conspicuously absent from the GAO report are over 30 patents associated with active compounds generating billions of dollars in revenue. Why would it be that the GAO and the NIH couldn't agree on something as simple as drugs generating income for NIH?

Since the passage of the Bayh Dole Act (Pub. L. 96-517, December 12, 1980), federally funded research has been an economic bonanza for U.S. universities, federal agencies, and their selected patronage. For the first decade following Bayh Dole, NIH funding doubled from \$3.4 billion to \$7.1 billion. A decade later, it doubled again to \$15.6 billion. In the wake of September 2001, the National Institute for Allergy and Infectious Diseases (NIAID) saw its direct budget increase over 300% without accounting for DARPA funds of as much as \$1.7 billion annually from 2005 forward. In 2020, NIH's budget was over \$41 billion.

What has become of the \$763 billion of taxpayer funds allocated to making America healthier since inventors have been commercially incentivized? Who has been enriched?

The answer, regrettably, is that no accountability exists to answer these questions.

The NIH is the named owner of at least 138 patents since 1980.

The United States Department of Health and Human Services is the named owner of at least 2,600 patents.

NIAID grants or collaboration have resulted in 2,655 patents and patent applications of which only 95 include an assignment to the Department of Health and Human Services as an owner. Most of these patents are assigned to universities thereby making the ultimate commercial beneficiaries entirely opaque. One of the largest holders is SIGA Technologies (NASDAQ: SIGA) who, while publicly reporting close affiliation with NIAID, is not referenced in the NIH GAO report. SIGA's CEO, Dr. Phillip L. Gomez spent 9 years at NIAID developing its vaccine program for HIV, SARS, Ebola, West Nile Virus, and Influenza before exiting to commercial ventures. While their technology is clearly derived from NIAID science, the company reports revenue from NIAID but no royalty or commercial payments to NIH or any of its programs.

<sup>22</sup> <https://www.gao.gov/products/GAO-21-52>

<sup>23</sup> <https://www.otc.nih.gov/reportsstats/hhs-license-based-vaccines-therapeutics>

NIAID's Director, Dr. Anthony Fauci is listed as an inventor on 8 granted U.S. patents. None of them are reported in NIAID, NIH, or GAO reports of active licensing despite the fact that Dr. Fauci reportedly was compelled to get paid for his interleukin-2 "invention" – payments he reportedly donated to an unnamed charity.<sup>24</sup>

Of the 21 patents listed in the U.S. Food and Drug Administration's (FDA) Orange book itemized in the GAO report, none of Dr. Anthony Fauci's patents are listed. Furthermore, none of the NIAID patents are listed despite clear evidence that Gilead Sciences and Janssen Pharmaceuticals (a division of Johnson & Johnson) have generated over \$2 billion annually from sales that were the direct result of NIAID funded science. Missing from the GAO report are 2 patents for Velcade® which has been generating sales in excess of \$2.18 billion annually for several years. None of the patents for Yescarta® are listed in the GAO report. None of the Lumoxiti® patents are listed in the GAO report. None of the Kepivance® patents are listed in the GAO report. In violation of 37 USC §410.10 and 35 USC §202(a), over 13 of the 21 patents in the GAO report fail to disclose government interest despite being the direct result of NIH funding.

#### **Dr. Anthony Fauci's Own Patent Track Record:**

##### US Patent 6,190,656 and 6,548,055 Immunologic enhancement with intermittent interleukin-2 therapy

A method for activating a mammalian immune system entails a series of IL-2 administrations that are effected intermittently over an extended period. Each administration of IL-2 is sufficient to allow spontaneous DNA synthesis in peripheral blood or lymph node cells of the patient to increase and peak, and each subsequent administration follows the preceding administration in the series by a period of time that is sufficient to allow IL-2 receptor expression in peripheral or lymph node blood of the patient to increase, peak and then decrease to 50% of peak value. This intermittent IL-2 therapy can be combined with another therapy which targets a specific disease state, such as an anti-retroviral therapy comprising, for example, the administration of AZT, ddI or interferon alpha. In addition, IL-2 administration can be employed to facilitate in situ transduction of T cells in the context of gene therapy. By this approach the cells are first activated in vivo via the aforementioned IL-2 therapy, and transduction then is effected by delivering a genetically engineered retroviral vector directly to the patient.

This application is a continuation of U.S. patent application Ser. No. 08/487,075, filed Jun. 7, 1995, now abandoned, which is a continuation in part of U.S. patent application Ser. No. 08/063,315, filed May 19, 1993, now issued as U.S. Pat. No. 5,419,900, and U.S. patent application Ser. No. 08/452,440, filed May 26, 1995, now issued as U.S. Pat. No. 5,696,079, which is the National Stage filed under 35 USC 371 of PCT/US94/05397, filed May 19, 1994, the contents of which are incorporated herein by reference.

*Filed May 19, 1993*

*Issued a Final Rejection January 20, 1998. Rejected after abandonment August 14, 1998 and April 12, 1999. Reduced and modified claims granted May 8, 2000.*

*This family of patents was the basis of Fauci's lie to the **British Medical Journal** in which he falsely stated:*

*"Dr Anthony Fauci told the BMJ that as a government employee he was required by law to put his name on the patent for the development of interleukin 2 and was also required by law to receive part of the payment the government received for use of the patent. He said that he felt it was inappropriate (sic) to receive payment and donated the entire amount to charity."<sup>25</sup>*

*He was not "required by law" to commit fraud on the patent office and then get paid for it!*

<sup>24</sup> <https://www.ncbi.nlm.nih.gov/pmc/articles/PMC545012/>

<sup>25</sup> *Ibid.*

### US Patent 6,911,527 HIV related peptides

This invention is the discovery of novel specific epitopes and antibodies associated with long term survival of HIV-1 infections. These epitopes and antibodies have use in preparing vaccines for preventing HIV-1 infection or for controlling progression to AIDS.

*Filed May 6, 1999*

*Rejected as unpatentable January 22, 2003. Issued with a final rejection on July 15, 2004 after submitting reconsideration requests. Modified and restricted claims allowed September 29, 2004.*

### US Patent 7,368,114 Fusion protein including of CD4

Novel recombinant polypeptides are disclosed herein that include a CD4 polypeptide ligated at its C-terminus with a portion of an immunoglobulin comprising a hinge region and a constant domain of a mammalian immunoglobulin heavy chain. The portion or the IgG is fused at its C-terminus with a polypeptide comprising a tailpiece from the C-terminus of the heavy chain of an IgA antibody or a tailpiece from a C-terminus of the heavy chain of an IgM antibody. Also disclosed herein are methods for using these CD4 fusion proteins.

*Filed October 24, 2002*

*Rejected as unpatentable August 18, 2006. Paid appeal to overturn examiner's findings February 15, 2007. Rejected again May 11, 2007. On October 10, 2007 applicants further narrowed the construction of what was clearly not a patent and the USPTO granted less than half the claims that had been sought in the original filing.*

### US Patent 9,896,509, 9,193,790 and 9,441,041 Use of antagonists of the interaction between HIV GP120 and .alpha.4.beta.7 integrin

Methods are provided for the treatment of a HIV infection. The methods can include administering to a subject with an HIV infection a therapeutically effective amount of an agent that interferes with the interaction of gp120 and .alpha.4 integrin, such as a .alpha.4.beta.1 or .alpha.4.beta.7 integrin antagonist, thereby treating the HIV infection. In several examples, the .alpha.4 integrin antagonist is a monoclonal antibody that specifically binds to a .alpha.4, .beta.1 or .beta.7 integrin subunit or a cyclic hexapeptide with the amino acid sequence of CWLDVC. Methods are also provided to reduce HIV replication or infection. The methods include contacting a cell with an effective amount of an agent that interferes with the interaction of gp120 and .alpha.4 integrin, such as a .alpha.4.beta.1 or .alpha.4.beta.7 integrin antagonist. Moreover, methods are provided for determining if an agent is useful to treat HIV.

*Rejected May 22, 2017 as Double Patenting. In their response, the applicants acknowledge the illegal act and seek only those components of their application that extend beyond the life of the issued patents. On October 11, 2017, the limited claims were issued.*

### **A sample of the convoluted flow of funds that evades public disclosure.**

U.S. Patent 8,999,351 was issued to Tekmira Pharmaceuticals Corporation in Burnaby, British Columbia. In their patent, they disclose that their research was supported by a grant from the National Institute of Allergy and Infectious Disease (Grant HHSN266200600012C). Ironically, this \$23 million grant was awarded in 2006 to Alnylam Pharmaceuticals, Inc., not to Tekmira.<sup>26</sup>

<sup>26</sup> <https://www.technologynetworks.com/genomics/news/alnylam-awarded-23-million-us-government-contract-to-develop-rnai-therapeutics-186097>

In 2012, Alnylam agreed to pay Tekmira \$65 million to settle legal disputes including a \$1 billion damages claim for “relentless and egregious” misappropriation of Tekmira’s trade secrets. From the patent filing’s earliest priority of November 10, 2008, there is no public record stating Tekmira as the beneficiary of this NIAID grant. Notwithstanding, the lipid nanoparticle technology developed from this grant is the technology now used in the Moderna COVID-19 intervention. In their 10-Q filing, Alnylam reports to have a license to technology from Arbutus – formerly Tekmira – which has accused Acuitas of misappropriating trade secrets and licensing them to Moderna and Pfizer’s collaboration with BioNTech.

Additional references can be found at:

<https://www.ott.nih.gov/nih-and-its-role-technology-transfer>

[https://www.accessdata.fda.gov/drugsatfda\\_docs/appletter/2017/206288Orig1s000TAItr.pdf](https://www.accessdata.fda.gov/drugsatfda_docs/appletter/2017/206288Orig1s000TAItr.pdf)

<https://www.gao.gov/assets/720/710287.pdf>

<https://grantome.com/search?q=%22National%20Institute%20of%20Allergy%20and%20Infectious%20Diseases%22>

## 15 U.S.C. §1-3 – Conspiring to Criminal Commercial Activity

**Every contract, combination in the form of trust or otherwise, or conspiracy, in restraint of trade or commerce among the several States, or with foreign nations, is declared to be illegal. Every person who shall make any contract or engage in any combination or conspiracy hereby declared to be illegal shall be deemed guilty of a felony, and, on conviction thereof, shall be punished by fine not exceeding \$100,000,000 if a corporation, or, if any other person, \$1,000,000, or by imprisonment not exceeding 10 years, or by both said punishments, in the discretion of the court.**

The National Institute of Health's grant AI23946-08 issued to Dr. Ralph Baric at the University of North Carolina at Chapel Hill (officially classified as affiliated with Dr. Anthony Fauci's NIAID by at least 2003) began the work on synthetically altering the *Coronaviridae* (the coronavirus family) for the express purpose of general research, pathogenic enhancement, detection, manipulation, and potential therapeutic interventions targeting the same. As early as May 21, 2000, Dr. Baric and UNC sought to patent critical sections of the coronavirus family for their commercial benefit.<sup>27</sup> In one of the several papers derived from work sponsored by this grant, Dr. Baric published what he reported to be the full length cDNA of SARS CoV in which it was clearly stated that SAR CoV was based on a composite of DNA segments.

*"Using a panel of contiguous cDNAs that span the entire genome, we have assembled a full-length cDNA of the SARS-CoV Urbani strain, and have rescued molecularly cloned SARS viruses (infectious clone SARS-CoV) that contained the expected marker mutations inserted into the component clones."<sup>28</sup>*

On April 19, 2002 – the Spring before the first SARS outbreak in Asia – Christopher M. Curtis, Boyd Yount, and Ralph Baric filed an application for U.S. Patent 7,279,372 for a method of producing recombinant coronavirus. In the first public record of the claims, they sought to patent a means of producing, "an infectious, replication defective, coronavirus." This work was supported by the NIH grant referenced above and GM63228. In short, the U.S. Department of Health and Human Services was involved in the funding of amplifying the infectious nature of coronavirus between 1999 and 2002 **before SARS** was ever detected in humans.

Against this backdrop, we noted the unusual patent prosecution efforts of the CDC, when on April 25, 2003 they sought to patent the SARS coronavirus isolated from humans that had reportedly transferred to humans during the 2002-2003 SARS outbreak in Asia. 35 U.S.C. §101 prohibits patenting nature. This legality did not deter CDC in their efforts. Their application, updated in 2007, ultimately issued as U.S. Patent 7,220,852 and constrained anyone not licensed by their patent from manipulating SARS CoV, developing tests or kits to measure SARS coronavirus in humans or working with their patented virus for therapeutic use. Work associated with this virus by their select collaborators included considerable amounts of chimeric engineering, gain-of-function studies, viral characterization, detection, treatment (both vaccine and therapeutic intervention), and weaponization inquiries.

In short, with Baric's U.S. Patent 6,593,111 (Claims 1 and 5) and CDC's '852 patent (Claim 1), no research in the United States could be conducted without permission or infringement.

We noted that gain-of-function specialist, Dr. Ralph Baric, was both the recipient of millions of dollars of U.S. research grants from several federal agencies but also sat on the World Health Organization's International Committee on Taxonomy of Viruses (ICTV) and the *Coronaviridae* Study Group (CSG). In this capacity, he was both responsible for determining "novelty" of clades of virus species but directly benefitted from determining declarations of novelty in the form of new research funding authorizations and associated patenting and commercial collaboration. Together with CDC, NIAID, WHO, academic and commercial parties (including Johnson & Johnson; Sanofi and their several coronavirus patent holding biotech companies; Moderna; Ridgeback; Gilead; Sherlock Biosciences; and, others), a powerful group of interests constituted what we would suggest are "interlocking directorates" under U.S. anti-trust laws.

<sup>27</sup> U.S. Provisional Application No. 60/206,537, filed May 21, 2000

<sup>28</sup> <https://www.pnas.org/content/100/22/12995>

- 1986-1990 NIAID Grant AI 23946 leading to patent U.S. 7,279,327 “Methods for Producing Recombinant Coronavirus” Filed 2002 and issued 2007 <https://patents.google.com/patent/US7279327B2/ru>
- The paper first published from the NIAID grant is <https://europepmc.org/backend/ptpmcrender.fcgi?accid=PMC7109931&blobtype=pdf>
- 1990 Pfizer files U.S. Patent 6,372,224 on a vaccine for the S-protein on coronavirus November 14, 2000 which was abandoned April 2010 making it public domain.
- 1990s Work focused on CoV association with cardiomyopathy (see above)
- Early reference to the “emergence” of CoV as a *respiratory pathogen* in [https://link.springer.com/content/pdf/10.1007%2F978-1-4615-1899-0\\_91.pdf](https://link.springer.com/content/pdf/10.1007%2F978-1-4615-1899-0_91.pdf)
- 2000 Ralph Baric AI23946 and GM63228 from the National Institutes of Health actively working recombinant CoV
- 2001 National Institute of Health, Allergy and Infectious diseases. “Reverse Genetics with a Coronavirus Infectious cDNA Construct.” 4/1/2001-3/31/005 \$1.0 million total costs/yr. RS Baric, PI
- 2002 Asia CoV SARS outbreak
- 2003 April 25, 2003 CDC Patent filed and ultimately becomes US7,220,852 (the patent on the RNA sequence) and 7,776,521 (the patent on the testing methodology. These patents give the U.S. Department of Health and Human Services the ability to control the commercial exploitation of SARS coronavirus.
- Dr. Anthony Fauci appointed to the Bill and Melinda Gates Foundation’s Global Grand Challenges Scientific Advisory Board (served through 2010).
- April 28, 2003 Sequoia Pharmaceuticals \$953K for pathogen response and patent US7,151,163 <https://www.sbir.gov/node/305319>
- July 21, 2003 Ralph Baric’s team (using AI23946 and GM63228) file U.S. Patent 7,618,802 which issued on November 17, 2009. <https://patents.google.com/patent/US7618802B2>
- Dana Farber Cancer Institute files U.S. Patent 7,750,123 on a monoclonal antibody to neutralize SARS CoV. This research is supported by several NIH grants including National Institutes of Health Grants A128785, A148436, and A1053822.
- 2004 January 6, 2004 – ***SARS and Bioterrorism linked*** at Bioterrorism and Emerging Infectious Diseases: antimicrobials, therapeutics and immune modulators. <https://tks.keystonesymposia.org/index.cfm?e=web.meeting.program&meetingid=706>  
***At this conference, the term “The New Normal” was introduced by Merck***
- FAUCI AND BARIC start making money!!!*** National Institutes of Health, Allergy and Infectious Diseases. SARS Reverse Genetics. AI059136-01. \$1.7 million total costs, RS Baric, PI. 10% effort. 4/1/04- 3/31/09. The project develops a SARS-CoV full length infectious cDNA, the development of SARS-CoV replicon particles expressing heterologous genes, and seeks to adapt SARS-CoV to mice, producing a pathogenic mouse model for SARS-CoV infection.

National Institutes of Health, Allergy and Infectious Diseases. R01. Remodeling the SARS Coronavirus Genome Regulatory Network. RS Baric, PI 10% effort. 7/1/04-6/30/09. \$2.1 million

November 22, 2004 University of Hong Kong patents SARS associated spike protein on CoV and pursues patent US 7,491,489

2005 DARPA gets in on the game Synthetic Coronaviruses. Biohacking: Biological Warfare Enabling Technologies, June 2005. Washington, DC. DARPA/MITRE sponsored event. Invited Speaker

Review timeline from [https://www.youtube.com/watch?v=rO\\_EeYBOi0U](https://www.youtube.com/watch?v=rO_EeYBOi0U) and <https://www.davidmartin.world/wp-content/uploads/2020/04/20APRBotWslides.pdf>

2008 Biodefense Grant U54 AI057157 commences with \$10,189,682 to UNC Chapel Hill [https://taggs.hhs.gov/Detail/AwardDetail?arg\\_awardNum=U54AI057157&arg\\_ProgOfficeCode=104](https://taggs.hhs.gov/Detail/AwardDetail?arg_awardNum=U54AI057157&arg_ProgOfficeCode=104)

2009 Biodefense Grant U54 AI057157 continues with \$5,448,656 to UNC Chapel Hill (non-competitive grant from NIAID)

2010 Biodefense Grant U54 AI057157 continues with \$8,747,142 to UNC Chapel Hill (non-competitive grant from NIAID)

Patent issuance for SARS coronavirus patents peak post the Asia outbreak at 391 issued patents.

August 6, 2010, Moderna (prior to its establishment) files U.S. Patent 9,447,164 which attracted the investment of (and “inventorship” for) venture capitalists at Flagship Ventures. This patent grew out of the work of Dr. Jason P. Schrum of Harvard Medical School supported by National Science Foundation Grant #0434507. **While the application claims priority to August 2010, the application didn't get finalized until October, 2015. On November 4, 2015, the USPTO issued a non-final rejection on this original patent rejecting all claims.**

[https://www.nsf.gov/awardsearch/showAward?AWD\\_ID=0434507](https://www.nsf.gov/awardsearch/showAward?AWD_ID=0434507) with reference to the grant funding in [https://molbio.mgh.harvard.edu/szostakweb/publications/Szostak\\_pdfs/Szostak\\_et\\_al\\_JACS\\_2009.pdf](https://molbio.mgh.harvard.edu/szostakweb/publications/Szostak_pdfs/Szostak_et_al_JACS_2009.pdf)

2011 Crucell joined the Janssen Pharmaceutical Companies of Johnson & Johnson in February taking with it all of its SARS technology.

Biodefense Grant U54 AI057157 continues with \$7,344,820 to UNC Chapel Hill (non-competitive grant from NIAID)

2012 MERS isolated in Egypt

Biodefense Grant U54 AI057157 continues with \$7,627,657 to UNC Chapel Hill (non-competitive grant from NIAID)

2013 Biodefense Grant U54 AI057157 continues with \$7,226,237 to UNC Chapel Hill (non-competitive grant from NIAID)

2014 April 23, 2014, Moderna files patent on nucleic acid vaccine with Patents US9872900 and US10022435

- 2015 Moderna signs a vaccine development agreement with NIAID and executes it with the lead on the mRNA-1273 lead developer and inventor Guiseppe Ciaramella.  
<https://www.documentcloud.org/documents/6935295-NIH-Moderna-Confidential-Agreements.html>
- 2016 NIH through Scripps Institute and Dartmouth College file patent application WO 2018081318A1 “Prefusion Coronavirus Spike Proteins and their Use” disclosing mRNA technology that overlaps (and is used in tandem with) Moderna’s technology.  
<https://patents.google.com/patent/WO2018081318A1/en> Lead Inventor Barney Scott Graham was well known to Moderna as he’s the person at NIH that Moderna “e-mailed” to get the sequence for SARS CoV-2 according to Moderna’s report here (“In January 2020, once it was discovered that the infection in Wuhan was caused by a novel coronavirus, Bancel quickly emailed Dr. Barney Graham, deputy director of the Vaccine Research Center at the National Institutes of Health, asking him to send the genetic sequence for the virus.”) <https://www.wsws.org/en/articles/2020/05/26/vacc-m26.html>  
In addition, co-inventor Jason McLellan worked with Graham on a vaccine patent jointly owned with the Chinese government filed in Australia in 2013  
<https://patents.google.com/patent/AU2014231357A1/en?inventor=Jason+MCLELLAN>.
- 2017 August – Sanofi buys Protein Science Corp with considerable SARS patent holdings
- 2018 June – Sanofi buys Ablynx with considerable SARS patent holdings
- 2019 March, <https://wyss.harvard.edu/news/sherlock-biosciences-licenses-wyss-technology-to-create-affordable-molecular-diagnostics/> funded by Open Philanthropy – the same organization that would be the financial sponsor of the Event 201 “table-top” exercise that laid out the entire “pandemic” plan in October 2019.



## 15 U.S.C. §8 – Market Manipulation and Allocation

Every combination, conspiracy, trust, agreement, or contract is declared to be contrary to public policy, illegal, and void when the same is made by or between two or more persons or corporations, either of whom, as agent or principal, is engaged in importing any article from any foreign country into the United States, and when such combination, conspiracy, trust, agreement, or contract is intended to operate in restraint of lawful trade, or free competition in lawful trade or commerce, or to increase the market price in any part of the United States of any article or articles imported or intended to be imported into the United States, or of any manufacture into which such imported article enters or is intended to enter. Every person who shall be engaged in the importation of goods or any commodity from any foreign country in violation of this section, or who shall combine or conspire with another to violate the same, is guilty of a misdemeanor, and on conviction thereof in any court of the United States such person shall be fined in a sum not less than \$100 and not exceeding \$5,000, and shall be further punished by imprisonment, in the discretion of the court, for a term not less than three months nor exceeding twelve months.

Through non-competitive grant awards to UNC Chapel Hill's Ralph Baric, to selection of the Bio-Safety Level 4 laboratory locations, to the setting of prices for Remdesivir and mRNA therapies from Moderna and Pfizer, NIAID, CDC, and the U.S. Department of Health and Human Services have been involved in allocating Federal funds to conspiring parties without independent review.

Around March 12, 2020, in an effort to enrich their own economic interests by way of securing additional funding from both Federal and Foundation actors, the CDC and NIAID's Dr Fauci elected to suspend testing and classify COVID-19 by capricious symptom presentation alone. Forcing the public to rely on The COVID Tracking Project – funded by the Bloomberg, Zuckerberg and Gates Foundation and presented by a media outlet (*The Atlantic*) – not a public health agency – Dr. Fauci used fraudulent testing technology (RT-PCR) to conflate "COVID cases" with positive PCR tests in the living while insisting that COVID deaths be counted by symptoms alone. This perpetuated a market demand for his desired vaccine agenda which was recited by him and his conspiring parties around the world until the present. Not surprisingly, this was necessitated by the apparent fall in cases that constituted Dr. Fauci's and others' criteria for depriving citizens of their 1st Amendment rights.

## 15 U.S.C. § 19 – Interlocking Directorates

**(1) No person shall, at the same time, serve as a director or officer in any two corporations (other than banks, banking associations, and trust companies) that are—**

**(A) engaged in whole or in part in commerce; and**

**(B) by virtue of their business and location of operation, competitors, so that the elimination of competition by agreement between them would constitute a violation of any of the antitrust laws; if each of the corporations has capital, surplus, and undivided profits aggregating more than \$10,000,000 as adjusted pursuant to paragraph (5) of this subsection.**

Dr. Fauci is on the Leadership Council of the Bill and Malinda Gates Global Vaccine Action Plan

Dr. Fauci while controlling the economic dispensation of Federal research funding, Dr. Fauci has been, and continues to be, on the World Health Organization's Global Preparedness Monitoring Board. He is joined on this board by the conflicted donor from the Bill and Melinda Gates Foundation's Dr. Chris Elias and the State Council of China's Dr. George F. Gao of the Chinese CDC. This GPMB stipulated that all member states must take part in a global simulation of the release of a respiratory pathogen.

Dr. Baric is one of the primary beneficiaries of U.S. Federal funds, runs a BSL-4 facility and sits on the International Committee on Taxonomy of Virus *Coronaviridae* Working Group tasked to confirm the presence of absence of the pathogen for which he is directly compensated.

As referenced in the section covering violations of 18 U.S.C. § 1001 above, numerous undisclosed commercial relationships exist between funded researchers, their funding agencies, and commercial interests in which disclosed and undisclosed commercial terms exist. A complete list of all potential implicated parties is listed in the section below entitled "The Commercial Actors".

It appears that, during the period of patent enforcement and after the Supreme Court ruling confirming that patents on genetic material were illegal, the CDC and National Institute of Allergy and Infectious Diseases led by Anthony Fauci (hereinafter "NIAID" and "Dr Fauci", respectively) entered into trade among States (including, but not limited to working with Ecohealth Alliance Inc.) and with foreign nations (specifically, the Wuhan Institute of Virology and the Chinese Academy of Sciences) through the 2014 et seq National Institutes of Health Grant R01AI110964 to exploit their patent rights.

It further appears that, during the period of patent enforcement and after the Supreme Court ruling confirming that patents on genetic material was illegal, the CDC and National Institute of Allergy and Infectious Diseases (hereinafter "NIAID") entered into trade among States (including, but not limited to working with University of North Carolina, Chapel Hill) and with foreign nations (specifically, the Wuhan Institute of Virology and the Chinese Academy of Sciences represented by Zheng-Li Shi) through U19AI109761 (Ralph S. Baric), U19AI107810 (Ralph S. Baric), and National Natural Science Foundation of China Award 81290341 (Zheng-Li Shi) et al. 2015-2016.

It further appears that, during the period of patent enforcement and after the Supreme Court ruling confirming that patents on generic material was illegal, the CDC and NIAID entered into trade among States (including, but not limited to working with University of North Carolina, Chapel Hill) and with foreign nations to conduct chimeric construction of novel coronavirus material with specific virulence properties prior to, during, and following the determination made by the National Institutes for Health in October 17, 2014 that this work was not sufficiently understood for its biosecurity and safety standards.

In this inquiry, it is presumed that the CDC and its associates were: a) fully aware of the work being performed using their patented technology; b) entered into explicit or implicit agreements including licensing, or other consideration; and, c) willfully engaged one or more foreign interests to carry forward the exploitation of their proprietary technology

when the U.S. Supreme Court confirmed that such patents were illegal and when the National Institutes of Health issued a moratorium on such research.

Reportedly, in January 2018, the U.S. Embassy in China sent investigators to Wuhan Institute of Virology and found that, “During interactions with scientists at the WIV laboratory, they noted the new lab has a serious shortage of appropriately trained technicians and investigators needed to safely operate this high-containment laboratory.” The Washington Post reported that this information was contained in a cable dated 19 January 2018. Over a year later, in June 2019, the CDC conducted an inspection of Fort Detrick’s U.S. Army Medical Research Institute of Infectious Diseases (hereinafter “USAMRIID”) and ordered it closed after alleging that their inspection found biosafety hazards. A report in the journal Nature in 2003 (423(6936): 103) reported cooperation between CDC and USAMRIID on coronavirus research followed by considerable subsequent collaboration. The CDC, for what appear to be the same type of concern identified in Wuhan, elected to continue work with the Chinese government while closing the U.S. Army facility.

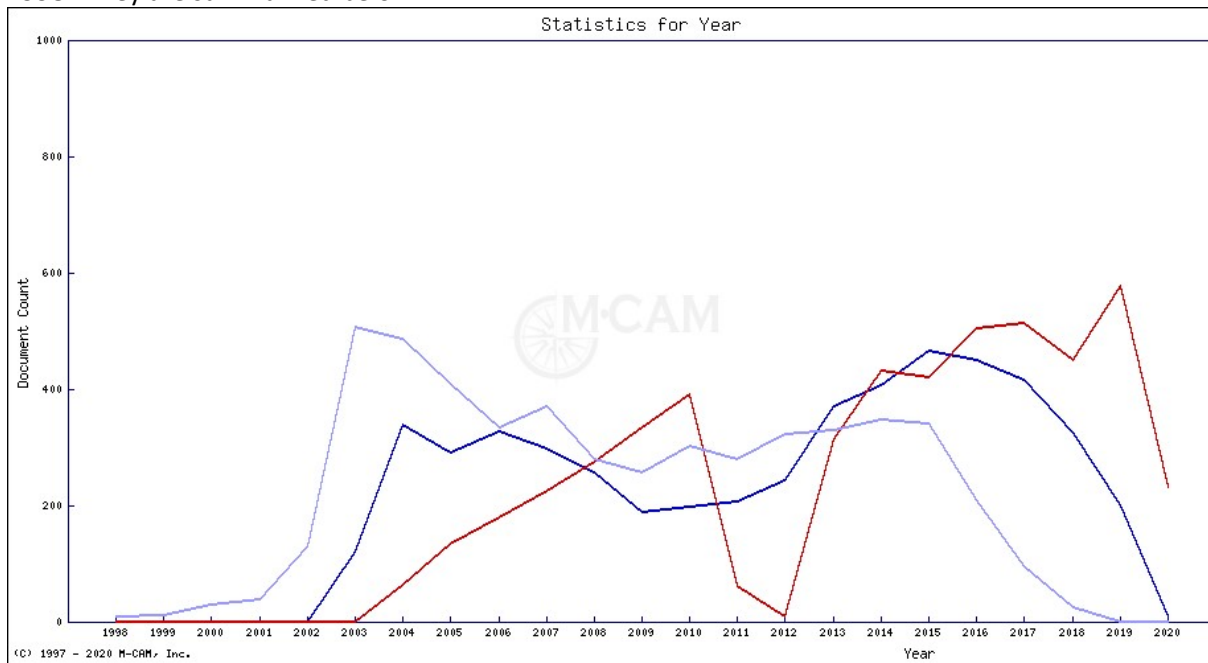
The CDC reported the first case of SARS-CoV like illness in the United States in January 2020 with the CDC’s Epidemic Intelligence Service reporting 650 clinical cases and 210 tests. Given that the suspected pathogen was first implicated in official reports on December 31, 2019, one can only conclude that CDC: a) had the mechanism and wherewithal to conduct tests to confirm the existence of a “novel coronavirus”; or, b) did not have said mechanism and falsely reported the information in January. It tests credulity to suggest that the WHO or the CDC could manufacture and distribute tests for a “novel” pathogen when their own subsequent record on development and deployment of tests has been shown to be without reliability

## 35 U.S.C. §200 - 206 – Disclosure of Government Interest

### 35 U.S.C. §202 (c)(6)

An obligation on the part of the contractor, in the event a United States patent application is filed by or on its behalf or by any assignee of the contractor, to include within the specification of such application and any patent issuing thereon, a statement specifying that the invention was made with Government support and that the Government has certain rights in the invention.

Over 5000 patents and patent applications have included reference to SARS Coronavirus dating back to priority dates of 1998. They are summarized below.



(C) 1997 - 2020 M-CAM, Inc.

	1998	1999	2000	2001	2002	2003	2004	2005	2006	2007	2008	2009	2010	2011	2012	2013	2014	2015	2016	2017	2018	2019	2020	total
file	0	0	0	0	0	120	338	290	328	297	256	188	198	207	244	371	407	466	451	416	326	199	0	5111
issue	0	0	0	0	1	63	135	179	224	275	334	391	61	8	314	431	420	504	513	449	578	231	0	5111
priority	10	12	29	38	129	506	487	408	335	370	279	256	303	279	322	330	348	342	208	95	25	0	0	5111
total	10	12	29	38	129	627	888	833	842	891	810	778	892	547	574	1015	1186	1228	1163	1024	800	777	240	15333

On July 23, 2020, the Patent Trial and Appeal Board of the United States Patent and Trademark Office rejected Moderna’s efforts to invalidate U.S. Patent 8,058,069. This patent, owned by Arbutus Biopharma Corp (principally owned by Roivant Science Ltd), covers the lipid nanoparticle (LNP) required to deliver an mRNA vaccine. Some of the core technology was based on work originally done at the University of British Columbia and was first licensed in 1998.

mRNA-1273 – the experimental vaccine developed by Moderna for COVID-19 – uses the LNP technology that Moderna thought it had licensed from Acuitas Therapeutics Inc., a firm developed by a former principal of Arbutus’ prior company Tekmira. That license did not authorize Moderna to use the technology for the COVID-19 vaccine.

M-CAM and Knowledge Ecology International have independently confirmed that Moderna has violated U.S. law in failing to disclose the U.S. government’s funding interest in their patents and patent applications. While this negligence impacts all of Moderna’s over 130 granted U.S. patents, it is particularly problematic for U.S. Patent 10,702,600 (‘600) which is the patent relating to, “a messenger ribonucleic acid (mRNA) comprising an open reading frame encoding a betacoronavirus (BetaCoV) S protein or S protein subunit formulated in a lipid nanoparticle.” The specific claims addressing the pivot to the SARS Coronavirus were patented **on March 28, 2019 – 9 months before the SARS CoV-2**

**outbreak!** Both the patent and the DARPA funding for the technology were disclosed in scientific publication (*New England Journal of Medicine*) but the government funds were not acknowledged in the patent.

In 2013, the Autonomous Diagnostics to Enable Prevention and Therapeutics (ADEPT) program awarded grant funding to Moderna Therapeutics for the development of a new type of vaccine based on messenger RNA. The initial DARPA grant was W911NF-13-1-0417. ***The company used that technology to develop its COVID-19 vaccine, currently undergoing Phase I clinical trials in conjunction with NIH.***<sup>29</sup>

Under the Federal Acquisition Regulation (FAR) rules, contractor to the Federal Government must provide information regarding intellectual property infringement issues as part of their contract. Under FAR §27.201-1(c) and (d), the Government both requires a notice of infringement or potential infringement as well as retention of economic liability for patent infringements. Specifically, in FAR §52.227.3 (a), the “Contractor shall indemnify the Government and its officers, agents, and employees against liability, including costs for infringement of any United States Patent...”. In addition to the patents cited by the USPTO in their examination of ‘600, M-CAM has identified fourteen other issued patents preceding the ‘600 patent which were used by patent examiners to limit patents arising from the same funded research including patents sought by CureVac.

In short, while Moderna enjoys hundreds of millions of dollars of funding allegiance and advocacy from Anthony Fauci and his NIAID, since its inception, it has been engaged in illegal patent activity and demonstrated contempt for U.S. Patent law. To make matters worse, the U.S. Government has given it financial backing in the face of undisclosed infringement risks potentially contributing to the very infringement for which they are indemnified.

---

<sup>29</sup> <https://crsreports.congress.gov/product/pdf/IN/IN11446>

## 21 C.F.R. § 50.24 et seq., Illegal Clinical Trial

**It is unlawful to conduct medical research (even in the case of emergency) without a series of steps taken to:**

- a. Establish the research with a duly authorized and independent institutional review board;**
- b. Secure informed consent of all participants including a statement of risks and benefits; and,**
- c. Engage in consultation with the community in which the study is to be conducted.**

Dr. Anthony Fauci has forced upon the healthy population of the United States an unlawful clinical trial in which the U.S. Department of Health and Human Services are extrapolating epidemiologic data. No informed consent has been sought or secured for any of the “medical countermeasures” forced upon the population and no independent review board – as defined by the statute – has been empaneled.

Through April 2020, the official recommendation by the *Journal of the American Medical Association* was unambiguous.

*“Face masks should not be worn by healthy individuals to protect themselves from acquiring respiratory infection because there is no evidence to suggest that face masks worn by healthy individuals are effective in preventing people from becoming ill.”<sup>30</sup>*

Part of that lack of evidence in fact showed that cloth facemasks actually increased influenza-linked illness.<sup>31</sup>

In contravention to established science, States, municipalities, and businesses have violated the legal requirements for the promulgation of medical counter measures during a public health emergency stating a “belief” that face masks limit the spread of SARS CoV-2. To date, not a single study has confirmed that a mask prevented the transmission of, or the infection by SARS CoV-2.

All parties mandating the use of facemasks are not only willfully ignoring established science but are engaging in what amounts to a whole population clinical trial. This conclusion is reached by the fact that facemask use and COVID-19 incidence are being reported in scientific opinion pieces promoted by the United States Centers for Disease Control and Prevention and others.<sup>32</sup>

Social distancing of up to 6 feet has been promoted as a means of preventing person-to-person transmission of influenza-like viruses. While one study hypothesized that infection could happen in a 6 foot range, the study explicitly states that person-to-person transfer was not tested and viability of the virus at 6 feet was not even a subject of the investigation.<sup>33</sup> That did not stop the misrepresentation of the study to be used as the basis for an unverified medical counter measure of social distancing. To date, no study has established the efficacy of social distancing to modify the transmission of SARS CoV-2. Public health officials have referenced:

<https://www.ncbi.nlm.nih.gov/pmc/articles/PMC5907354/#CR43>

In contravention to established science, States, municipalities, and businesses have violated the legal requirements for the promulgation of medical counter measures during a public health emergency stating a “belief” that social distancing of a healthy population limits the spread of SARS CoV-2. To date, not a single study has confirmed that social distancing of any population prevented the transmission of, or the infection by SARS CoV-2.

<sup>30</sup> <https://jamanetwork.com/journals/jama/fullarticle/2762694>

<sup>31</sup> <https://www.ncbi.nlm.nih.gov/pmc/articles/PMC4420971/>

<sup>32</sup> <https://www.cdc.gov/coronavirus/2019-ncov/prevent-getting-sick/cloth-face-cover-guidance.html>

<sup>33</sup> Werner E. Bischoff, Katrina Swett, Iris Leng, Timothy R. Peters, *Exposure to Influenza Virus Aerosols During Routine Patient Care*, The Journal of Infectious Diseases, Volume 207, Issue 7, 1 April 2013, Pages 1037–1046, <https://doi.org/10.1093/infdis/jis773>

It is unlawful under the FTC Act, 15 U.S.C. § 41 et seq., to advertise that a product or service can prevent, treat, or cure human disease unless you possess competent and reliable scientific evidence, including, when appropriate, well-controlled human clinical studies, substantiating that the claims are true at the time they are made. As a result, every party promoting the use of face masks is violating the FTC Act.

All of these laws have been broken. All relevant authorities in the United States must cease and desist the use of face masks until the matters above are rectified.

## The Commercial Actors

SARS coronavirus is a new topic for many individuals. Since 1999, the ability to manipulate and exploit coronavirus for a variety of purposes has attracted the attention of individuals, institutions and commercial organizations in public, private, and not-for-profit sectors. The following is the list of over 5,100 patents and patent applications filed for the express purpose of controlling some aspect of the SARS coronavirus.

PATENT	Title	Owner	Priory	File Date	Issue Date
US9995706	Amperometric gas sensor	Steris Corporation	25-Jun-12	30-Sep-14	12-Jun-18
US9995705	Amperometric gas sensor	Steris Corporation	25-Jun-12	30-Sep-14	12-Jun-18
US9994558	Multicyclic compounds and methods of using same	Karyopharm Therapeutics Inc.	20-Sep-13	19-Sep-14	12-Jun-18
US9994550	Heterocyclic modulators of lipid synthesis for use against cancer and viral infections	3-V Biosciences, Inc.	7-Jan-14	7-Jan-15	12-Jun-18
US9993543	Immunogenic compositions comprising silicified virus and methods of use	Portland State University	31-Jan-13	31-Jan-14	12-Jun-18
US9982257	Chiral control	WAVE LIFE SCIENCES LTD.	13-Jul-12	12-Jul-13	29-May-18
US9982241	Recombinant HCMV and RHCMV vectors and uses thereof	Oregon Health & Science University	14-May-10	1-Oct-15	29-May-18
US9982025	Monomeric griffithsin tandemers	The United States of America, as represented by the Secretary, Department of Health and Human Services	5-Jun-13	5-Jun-14	29-May-18
US9981036	Compositions, comprising improved IL-12 genetic constructs and vaccines, immunotherapeutics and methods of using the same	THE TRUSTEES OF THE UNIVERSITY OF PENNSYLVANIA	12-Dec-11	26-Feb-16	29-May-18
US9975885	Broad-spectrum non-covalent coronavirus protease inhibitors	PURDUE RESEARCH FOUNDATION	28-Apr-16	28-Apr-17	22-May-18
US9974850	Immunogenic compositions and uses thereof	BOARD OF REGENTS, THE UNIVERSITY OF TEXAS SYSTEM	25-Mar-15	25-Mar-16	22-May-18
US9974848	Tetanus toxoid and CCL3 improve DC vaccines	Duke University	14-Nov-13	14-Nov-14	22-May-18
US9974845	Combination of vaccination and inhibition of the PD-1 pathway	CureVac AG	22-Feb-13	21-Feb-14	22-May-18
US9970061	Bioagent detection oligonucleotides	IBIS BIOSCIENCES, INC.	27-Dec-11	27-Dec-12	15-May-18
US9969793	Compositions and methods for the treatment of immunodeficiency	ADMA Biologics, Inc.	28-Oct-14	13-Nov-17	15-May-18
US9963718	LCMV-GP-VSV-pseudotyped vectors and tumor-infiltrating virus-producing cells for the therapy of tumors	VIRATHERAPEUTICS GMBH	8-Oct-08	7-Apr-17	8-May-18
US9963611	Composition for use in decreasing the transmission of human pathogens	Innonix Technologies, Incorporated	29-May-09	21-May-10	8-May-18
US9963427	Dithiol mucolytic agents	PARION SCIENCES, INC.	23-Aug-13	11-Mar-16	8-May-18
US9962439	Injectable vaccine composition	NITTO DENKO CORPORATION	3-Oct-13	2-Oct-14	8-May-18
US9957302	Treating cancer with viral nucleic acid	Mayo Foundation for Medical Education and Research	20-Feb-07	6-Jul-15	1-May-18
US9957300	Virus-like particles, methods of preparation, and immunogenic compositions	Emory University	17-May-02	4-May-15	1-May-18
US9957238	Arylalkyl-and aryloxyalkyl-substituted epithelial sodium channel blocking compounds	Parion Sciences, Inc.	13-Dec-13	1-Mar-17	1-May-18
US9951317	Highly efficient influenza matrix (M1) proteins	NOVAVAX, INC.	11-Jul-03	6-Oct-16	24-Apr-18



US9951124	Antibody producing non-human mammals	MERUS N.V.	27-Jun-08	25-Jan-13	24-Apr-18
US9951122	Antibodies against influenza virus and methods of use thereof	BURNHAM INSTITUTE FOR MEDICAL RESEARCH	6-Dec-07	12-Aug-13	24-Apr-18
US9950062	Compounds and compositions as TLR activity modulators	GLAXOSMITHKLINE BIOLOGICALS SA	2-Sep-09	1-Sep-10	24-Apr-18
US9945856	Coronavirus, nucleic acid, protein, and methods for the generation of vaccine, medicaments and diagnostics	AMSTERDAM INSTITUTE OF VIRAL GENOMICS B.V.	18-Aug-03	13-Aug-14	17-Apr-18
US9945780	Use of a fluorescent material to detect failure or deteriorated performance of a fluorometer	GEN-PROBE INCORPORATED	14-Jun-12	7-Jun-13	17-Apr-18
US9944928	Construction of pool of interfering nucleic acids covering entire RNA target sequence and related compositions	York Yuan Yuan Zhu	23-Jul-07	2-Jul-15	17-Apr-18
US9944695	Antibody producing non-human mammals	Merus N.V.	27-Jun-08	30-Apr-14	17-Apr-18
US9944686	Treatment of tumors with recombinant interferon alpha	SUPERLAB FAR EAST LIMITED	28-Feb-01	5-Sep-13	17-Apr-18
US9944649	Compounds and compositions as toll-like receptor 7 agonists	Novartis Ag	1-May-14	29-Apr-15	17-Apr-18
US9943614	Cationic steroid antimicrobial diagnostic, detection, screening and imaging methods	BRIGHAM YOUNG UNIVERSITY	17-Jun-08	16-Jun-09	17-Apr-18
US9938300	Isothiazolopyrimidinones, pyrazolopyrimidinones, and pyrrolopyrimidinones as ubiquitin-specific protease 7 inhibitors	Forma Therapeutics, Inc.	5-Feb-15	4-Feb-16	10-Apr-18
US9938275	Substituted imidazoquinolines, imidazopyridines, and imidazonaphthyridines	3M Innovative Properties Company	18-Jun-04	23-Jan-17	10-Apr-18
US9938258	Substituted 2,3-dihydrobenzofuranyl compounds and uses thereof	Karyopharm Therapeutics Inc.	29-Nov-12	27-Nov-13	10-Apr-18
US9932351	Thienopyrimidinones as ubiquitin-specific protease 7 inhibitors	Forma Therapeutics, Inc.	5-Feb-15	4-Feb-16	3-Apr-18
US9932323	Therapeutic hydroxypyrimidinones, hydroxypyrimidinones and hydroxypyridazinones	Rutgers, The State University of New Jersey	11-Sep-12	13-Jan-17	3-Apr-18
US9931316	Antiviral activity from medicinal mushrooms and their active constituents	Not Available	31-Mar-15	14-Sep-15	3-Apr-18
US9926340	NAD analogs and methods of using said NAD analogs in determining ribosylation of proteins with PARP mutants	Biolog Life Science Institute Forshungslabor und Biochemica-Vertrieb GmbH	8-Apr-15	1-Apr-16	27-Mar-18
US9925215	Anionically modified polyallylamine derivative, use of anionically modified polyallylamine derivative as medicine, particularly for prophylaxis and treatment of infections of respiratory tract caused by human metapneumovirus (hMPV), human rhinoviruses (HRV), and infection by influenza virus type A (IAV) and pharmaceutical composition comprising the anionically modified polyallylamine derivative	UNIWERSYTET JAGIELLONSKI	29-Jul-14	25-Oct-17	27-Mar-18
US9920314	Compositions for and methods of identifying antigens	President and Fellows of Harvard College	21-Feb-06	6-May-15	20-Mar-18
US9920128	Synthetic antiserum for rapid-turnaround therapies	The Johns Hopkins University	28-Jan-15	20-Jan-16	20-Mar-18
US9919034	Methods of treating and prophylactically protecting mammalian patients infected by viruses classified in Baltimore group V	TAMIR BIOTECHNOLOGY, INC.	28-Mar-14	10-Jun-15	20-Mar-18
US9915613	Systems and methods for distinguishing optical signals of different modulation frequencies in an optical signal detector	GEN-PROBE INCORPORATED	24-Feb-11	21-Mar-14	13-Mar-18
US9914976	Methods and compositions for prostate cancer metastasis	FLORIDA AGRICULTURAL AND MECHANICAL UNIVERSITY (FA)	25-Mar-11	27-May-16	13-Mar-18
US9913801	Treatment of evolving bacterial resistance diseases including Klebsiella pneumoniae with liposomally formulated glutathione	YOUR ENERGY SYSTEMS, LLC	15-Feb-13	15-Mar-13	13-Mar-18
US9909176	Efficient deep sequencing and rapid genomic speciation of RNA viruses (vRNAseq)	The Johns Hopkins University	8-Sep-14	1-Sep-15	6-Mar-18
US9908946	Generation of binding molecules	Merus N.V.	26-Sep-11	16-Sep-15	6-Mar-18
US9908675	Powdered pouch and method of making same	MONOSOL, LLC	16-Apr-12	19-Jul-16	6-Mar-18

US9907796	Methods of treating tumoral diseases, or bacterial or viral infections	INHIBIKASE THERAPEUTICS, INC.	4- Oct- 12	15- Sep- 16	6- Mar- 18
US9895692	Sample-to-answer microfluidic cartridge	Micronics, Inc.	29- Jan- 10	5- Aug- 15	20- Feb- 18
US9895411	Analogues of C5a and methods of using same	BOARD OF REGENTS OF THE UNIVERSITY OF NEBRASKA	29- Jun- 10	29- Jun- 11	20- Feb- 18
US9895341	Inflammation and immunity treatments	Ocean Spray Cranberries, Inc.	1- Apr- 11	30- Mar- 12	20- Feb- 18
US9894888	Transgenic immunodeficient mouse expressing human SIRP-alpha	INSTITUT PASTEUR	26- Mar- 12	26- Mar- 13	20- Feb- 18
US9890419	Nanoreporters and methods of manufacturing and use thereof	NanoString Technologies, Inc.	23- Dec- 05	20- May- 16	13- Feb- 18
US9890408	Multiple displacement amplification	IBIS BIOSCIENCES, INC.	15- Oct- 09	15- Oct- 10	13- Feb- 18
US9890362	Compositions, methods and uses for inducing viral growth	Takeda Vaccines, Inc.	5- Dec- 08	19- Sep- 14	13- Feb- 18
US9890361	Methods for increasing the infectivity of viruses utilizing alkyne-modified fatty acids	LIFE TECHNOLOGIES CORPORATION	26- Jan- 12	25- Jan- 13	13- Feb- 18
US9890206	H1N1 flu virus neutralizing antibodies	Medigen Biotechnology Corporation	20- Aug- 15	20- Aug- 15	13- Feb- 18
US9890169	Triazolone compounds as HNE inhibitors	CHIESI FARMACEUTICI S.P.A.	14- Dec- 15	12- Dec- 16	13- Feb- 18
US9890124	Benzazepine sulfonamide compounds	Hoffmann-La Roche Inc.	15- Dec- 15	14- Jun- 17	13- Feb- 18
US9889194	Immunogenic composition for MERS coronavirus infection	New York Blood Center, Inc.	1- Mar- 13	28- Feb- 14	13- Feb- 18
US9885092	Materials and methods for detection of HPV nucleic acids	QIAGEN GAITHERSBURG INC.	24- Feb- 11	23- Feb- 12	6- Feb- 18
US9885082	Embodiments of a probe and method for targeting nucleic acids	University of Idaho	19- Jul-11	19- Jul- 12	6- Feb- 18
US9885037	Chiral control	WAVE LIFE SCIENCES LTD.	13- Jul-12	12- Jul- 13	6- Feb- 18
US9884895	Methods and compositions for chimeric coronavirus spike proteins	The University of North Carolina at Chapel Hill	20- Mar- 14	20- Mar- 15	6- Feb- 18
US9884876	Anti-viral compounds, pharmaceutical compositions, and methods of use thereof	Kineta, Inc.	9- May- 14	8- May- 15	6- Feb- 18
US9884129	Release of agents from cells	The Brigham and Women's Hospital, Inc.	15- Oct- 09	5- Jan- 15	6- Feb- 18
US9884032	Esters of short chains fatty acids for use in the treatment of immunogenic disorders	PROPONENT BIOTECH GMBH	3- Oct- 12	3- Mar- 16	6- Feb- 18
US9884026	Modular particles for immunotherapy	YALE UNIVERSITY	1- Nov- 13	31- Oct- 14	6- Feb- 18
US9880151	Method of determining, identifying or isolating cell-penetrating peptides	Phylogica Limited	23- May- 11	23- May- 12	30- Jan- 18
US9879026	Substituted spirocycles	Boehringer Ingelheim International GmbH	12- Sep- 14	29- Nov- 16	30- Jan- 18
US9879003	Host targeted inhibitors of dengue virus and other viruses	Dana-Farber Cancer Institute, Inc.	11- Apr- 12	15- Mar- 13	30- Jan- 18
US9878988	Dendrimer like amino amides possessing sodium channel blocker activity for the treatment of dry eye and other mucosal diseases	PARION SCIENCES, INC.	29- May- 12	5- Jan- 16	30- Jan- 18
US9873678	Chemical compounds	AstraZeneca AB	18- Mar- 14	17- Mar- 15	23- Jan- 18
US9873674	C-Rel inhibitors and uses thereof	CORNELL UNIVERSITY	21- Sep- 12	19- Sep- 13	23- Jan- 18
US9872900	Nucleic acid vaccines	ModernaTX, Inc.	23- Apr- 14	5- Apr- 16	23- Jan- 18
US9872898	Compositions and methods for treating and preventing porcine reproductive and respiratory syndrome	Ohio State Innovation Foundation	24- Apr- 12	3- Oct- 16	23- Jan- 18
US9872895	TLR5 ligands, therapeutic methods, and compositions related thereto	Emory University	24- Sep- 10	20- Sep- 11	23- Jan- 18

US9868952	Compositions and methods for resistance-proof siRNA therapeutics for influenza	Sirnaomics, Inc.	8-Jul-12	7-Jul-13	16-Jan-18
US9868740	Pyrimidinone compounds which are HNE inhibitors	CHIESI FARMACEUTICI S.p.A.	12-Jun-14	12-Jun-14	16-Jan-18
US9868736	Deubiquitinase inhibitors and methods for use of the same	THE REGENTS OF THE UNIVERSITY OF MICHIGAN	10-Oct-13	10-Oct-14	16-Jan-18
US9867882	Carbohydrate conjugates as delivery agents for oligonucleotides	Alnylam Pharmaceuticals, Inc.	4-Dec-07	25-Aug-15	16-Jan-18
US9867877	Methods for preparing squalene	NOVARTIS AG	12-May-10	22-Nov-16	16-Jan-18
US9862706	Compounds	CHIESI FARMACEUTICI S.p.A.	31-May-16	26-May-17	9-Jan-18
US9861614	Nuclear transport modulators and uses thereof	Karyopharm Therapeutics Inc.	9-May-12	23-Jun-15	9-Jan-18
US9856254	Alkoxy substituted imidazoquinolines	3M Innovative Properties Company	3-Oct-03	13-Jun-16	2-Jan-18
US9856241	Substituted benzofuranyl and benzoxazolyl compounds and uses thereof	Karyopharm Therapeutics Inc.	3-Jul-13	3-Jul-14	2-Jan-18
US9856228	Peptidyl nitril compounds as dipeptidyl peptidase I inhibitors	PROZYMEX A/S	9-Sep-13	8-Sep-14	2-Jan-18
US9856224	Stable sodium channel blockers	PARION SCIENCES, INC.	30-Jun-14	30-Jan-17	2-Jan-18
US9855287	Anti-viral azide containing compounds	LIFE TECHNOLOGIES CORPORATION	28-Jul-10	20-Aug-15	2-Jan-18
US9855284	Pharmaceutical compositions and methods	Pop Test Oncology LLC	3-Aug-15	6-Dec-16	2-Jan-18
US9849143	Broad spectrum antiviral and methods of use	The Burlington HC Research Group, Inc.	17-Apr-06	16-Feb-17	26-Dec-17
US9845342	Fusion proteins, recombinant bacteria, and methods for using recombinant bacteria	Spogen Biotech Inc.	17-Sep-14	17-Sep-15	19-Dec-17
US9840731	Preservation of biological materials in non-aqueous fluid media	Gentegra, LLC	14-Mar-13	14-Mar-14	12-Dec-17
US9840719	Variant AAV and compositions, methods and uses for gene transfer to cells, organs and tissues	The Children's Hospital of Philadelphia	22-Jul-13	22-Jul-14	12-Dec-17
US9840491	Quinazolinones and azaquinazolinones as ubiquitin-specific protease 7 inhibitors	FORMA Therapeutics, Inc.	5-Feb-15	4-Feb-16	12-Dec-17
US9839687	Acetylenedicarboxyl linkers and their uses in specific conjugation of a cell-binding molecule	SUZHOU M-CONJ BIOTECH CO., LTD.	15-Jul-15	15-Jul-15	12-Dec-17
US9834812	Probe kit for detecting a single strand target nucleotide sequence	Fondazione Istituto Italiano Di Tecnologia	27-Dec-12	27-Dec-13	5-Dec-17
US9834791	CRISPR-related methods and compositions with governing gRNAs	Editas Medicine, Inc.	7-Nov-13	7-Nov-14	5-Dec-17
US9834757	Hand, foot, and mouth vaccines and methods of manufacture and use thereof	Takeda Vaccines, Inc.	7-Nov-14	6-Nov-15	5-Dec-17
US9834595	Amino acid sequences directed against envelope proteins of a virus and polypeptides comprising the same for the treatment of viral diseases	Ablynx N.V.	5-Jun-08	29-Oct-15	5-Dec-17
US9833504	Virus-like particles and process for preparing same	Folia Biotech Inc.	13-May-11	1-May-12	5-Dec-17
US9833492	Combinations of a caspase inhibitor and an antiviral agent	Centre National de la Recherche Scientifique	2-Nov-07	15-May-15	5-Dec-17
US9832998	Antiviral compositions	Long Island University	30-May-07	19-Mar-15	5-Dec-17
US9828382	Pyrimidinone compounds as human neutrophil elastase inhibitors	Chiesi Farmaceutici S.p.A.	18-Dec-12	10-May-16	28-Nov-17
US9828379	Pyrrolo-pyrrole carbamate and related organic compounds, pharmaceutical compositions, and medical uses thereof	ABIDE THERAPEUTICS, INC.	3-Jul-13	1-Jul-14	28-Nov-17
US9828370	Compositions and methods for inhibiting kinases	INHIBIKASE THERAPEUTICS, INC.	23-Apr-15	22-Apr-16	28-Nov-17
US9828346	N-myristoyl transferase inhibitors	University of Dundee	2-Sep-08	31-Aug-15	28-Nov-17

US9828342	Isatin derivatives, pharmaceutical compositions thereof, and methods of use thereof	CITY OF HOPE	24-Feb-12	25-Feb-13	28-Nov-17
US9827190	Intradermal delivery of immunological compositions comprising toll-like receptor 7 agonists	GLAXOSMITHKLINE BIOLOGICALS SA	1-Feb-13	30-Jan-14	28-Nov-17
US9822339	Means and methods for influencing the stability of antibody producing cells	ACADEMISCH MEDISCH CENTRUM BIJ DE UNIVERSITEIT VAN AMSTERDAM	9-Dec-05	26-Aug-15	21-Nov-17
US9822173	Heterodimeric immunoglobulins	AMGEN INC.	21-Nov-12	21-Nov-13	21-Nov-17
US9822165	Hydrocarbon stapled stabilized alpha-helices of the HIV-1 GP41 membrane proximal external region	DANA-FARBER CANCER INSTITUTE, INC.	18-Jun-09	18-Jun-10	21-Nov-17
US9822155	Method of preventively treating a subject at the risk of developing infections of a respiratory virus	Xiangxue Group (Hong Kong) Company Limited	9-May-13	23-Aug-16	21-Nov-17
US9822127	GAK modulators as antivirals	The Board of Trustees of the Leland Stanford Junior University	23-Jul-14	23-Jul-15	21-Nov-17
US9822065	Benzazepine dicarboxamide compounds	Hoffmann-La Roche Inc.	6-Mar-15	14-Feb-17	21-Nov-17
US9821052	Reverse genetics systems	Seqirus UK Limited	31-Jul-09	30-Jul-10	21-Nov-17
US9821051	Reducing hospitalization in elderly influenza vaccine recipients	Seqirus UK Limited	28-Oct-10	21-Oct-11	21-Nov-17
US9816078	Compositions for increasing polypeptide stability and activity, and related methods	SOLIS BIODYNE OÅœ	19-Nov-09	11-Mar-16	14-Nov-17
US9815886	Compositions and methods for the treatment of immunodeficiency	ADMA BIOLOGICS, INC.	28-Oct-14	8-Jan-15	14-Nov-17
US9815805	Certain (2S)-N-[(1S)-1-cyano-2-phenylethyl]-1,4-oxazepane-2-carboxamides as dipeptidyl peptidase 1 inhibitors	ASTRAZENECA AB	24-Jan-14	8-Nov-16	14-Nov-17
US9814777	Targeting lipids	Arbutus Biopharma Corporation	4-Dec-07	22-Oct-13	14-Nov-17
US9810683	Use of live cell interferometry with reflective floor of observation chamber to determine changes in mass of mammalian cells	The Regents of the University of California	6-May-09	25-Nov-13	7-Nov-17
US9809845	Methods and reagents for amplifying nucleic acids	The United States of America, as represented by the Secretary, Department of Health and Human Services	6-Aug-12	6-Aug-12	7-Nov-17
US9809796	Animal protein-free media for cultivation of cells	Baxalta GmbH	29-Oct-04	18-May-17	7-Nov-17
US9809632	Universal protein tag for double stranded nucleic acid delivery	University of Washington Through its Center for Commercialization	23-Oct-13	22-Oct-14	7-Nov-17
US9809591	Heterocyclic modulators of lipid synthesis	3-V Biosciences, Inc.	8-Mar-11	5-Oct-15	7-Nov-17
US9808490	Induced hepatocytes and uses thereof	ACCELERATED BIOSCIENCES CORP.	26-Nov-14	25-Nov-15	7-Nov-17
US9803236	Microarray-based assay integrated with particles for analyzing molecular interactions	CapitalBio Corporation	6-Aug-10	6-Aug-10	31-Oct-17
US9803197	Particle-nucleic acid conjugates and therapeutic uses related thereto	Emory University	25-Jun-12	27-Feb-13	31-Oct-17
US9802937	Substituted pyrazolo{4,3-D}pyrimidines as kinase inhibitors	ORIGENIS GMBH	21-Apr-11	23-Apr-12	31-Oct-17
US9802919	Compounds	CHIESI FARMACEUTICI S.p.A.	31-May-16	26-May-17	31-Oct-17
US9801948	Antimicrobial compositions and methods of use thereof	Yale University	21-Sep-11	21-Sep-12	31-Oct-17
US9801947	Methods and compositions for enhancing immune response	3M INNOVATIVE PROPERTIES COMPANY	10-Apr-03	6-Oct-14	31-Oct-17
US9801935	Soluble needle arrays for delivery of influenza vaccines	SEQIRUS UK LIMITED	20-Aug-10	11-Oct-16	31-Oct-17
US9801897	Delivery of RNA to trigger multiple immune pathways	GLAXOSMITHKLINE BIOLOGICALS SA	6-Jul-10	6-Jul-11	31-Oct-17
US9797000	Non-target amplification method for detection of RNA splice-forms in a sample	QIAGEN GAITHERSBURG INC.	1-May-09	30-Apr-10	24-Oct-17
US9796979	Oligonucleotide modulators of the toll-like receptor pathway	Quark Pharmaceuticals Inc.	3-Mar-11	28-Jul-16	24-Oct-17

US9796735	Boron-containing small molecules	Anacor Pharmaceuticals, Inc.	20-Jun-07	7-Nov-14	24-Oct-17
US9795669	Lipidated immune response modifier compound compositions, formulations, and methods	3M INNOVATIVE PROPERTIES COMPANY	17-Aug-10	15-Dec-15	24-Oct-17
US9795668	Delivery of self-replicating RNA using biodegradable polymer particles	GlaxoSmithKline Biologicals S.A.	6-Jul-10	23-Nov-15	24-Oct-17
US9795666	High-yield transgenic mammalian expression system for generating virus-like particles	Academia Sinica	5-Sep-06	11-Feb-15	24-Oct-17
US9791437	Multianalyte assay	Nexus Dx, Inc.	30-Apr-07	15-Jun-15	17-Oct-17
US9789180	D-amino acid derivative-modified peptidoglycan and methods of use thereof	The Regents of the University of California	30-Nov-12	31-Mar-16	17-Oct-17
US9786050	Stain-free histopathology by chemical imaging	The Board of Trustees of the University of Illinois	15-Mar-13	14-Mar-14	10-Oct-17
US9783595	Neutralizing GP41 antibodies and their use	The United States of America, as represented by the Secretary, Department of Health and Human Services	7-Nov-11	2-Aug-16	10-Oct-17
US9782470	Method of obtaining thermostable dried vaccine formulations	Merck Sharp & Dohme Corp.	16-Oct-13	13-Oct-14	10-Oct-17
US9782434	Methods of treating or preventing inflammation and hypersensitivity with oxidative reductive potential water solution	Sonoma Pharmaceuticals, Inc.	20-Jan-06	7-Jul-15	10-Oct-17
US9770504	Generating peptoid vaccines	The Board of Regents of the University of Texas System	3-May-13	2-May-14	26-Sep-17
US9770463	Delivery of RNA to different cell types	GLAXOSMITHKLINE BIOLOGICALS SA	6-Jul-10	7-Jun-11	26-Sep-17
US9765395	System and method for DNA sequencing and blood chemistry analysis	Nanomedical Diagnostics, Inc.	28-Apr-14	10-Apr-15	19-Sep-17
US9765133	Antibody producing non-human mammals	Merus N.V.	27-Jun-08	29-Apr-14	19-Sep-17
US9765071	Substituted imidazo ring systems and methods	3M INNOVATIVE PROPERTIES COMPANY	25-Nov-03	14-Mar-16	19-Sep-17
US9764027	Outer membrane vesicles	GLAXOSMITHKLINE BIOLOGICALS SA	18-Sep-12	18-Sep-13	19-Sep-17
US9759723	B-cell antigen presenting cell assay	University of Pittsburgh of the Commonwealth System of Higher Education	8-Apr-10	21-Mar-16	12-Sep-17
US9758840	Parasite detection via endosymbiont detection	IBIS BIOSCIENCES, INC.	14-Mar-10	11-Mar-11	12-Sep-17
US9758820	Organism identification panel	BioFire Diagnostics, LLC	2-Apr-07	1-Apr-08	12-Sep-17
US9758775	TAL effector-mediated DNA modification	Iowa State University Research Foundation, Inc.	10-Dec-09	14-Apr-14	12-Sep-17
US9758568	Oligopeptide-free cell culture media	Baxalta GmbH	4-Jan-06	16-Nov-15	12-Sep-17
US9758553	Yeast strain for the production of proteins with terminal alpha-1,3-linked galactose	MERCK SHARP & DOHME CORP.	30-May-08	2-Jul-14	12-Sep-17
US9757478	Mutant protease biosensors with enhanced detection characteristics	Promega Corporation	11-May-10	7-Jan-16	12-Sep-17
US9757470	Peptides for assisting delivery across the blood brain barrier	Children's Medical Center Corporation	22-May-06	30-Apr-14	12-Sep-17
US9757446	Influenza virus vectors and uses therefor	FLUGEN, INC.	17-Mar-14	13-Mar-15	12-Sep-17
US9757407	Treatment of viral infections by modulation of host cell metabolic pathways	The Trustees of Princeton University	1-Jun-07	21-Dec-15	12-Sep-17
US9751945	Sortase-modified VHH domains and uses thereof	Whitehead Institute for Biomedical Research	13-Apr-12	15-Apr-13	5-Sep-17
US9750798	Bunyaviruses with segmented glycoprotein precursor genes and methods for generating these viruses	STICHTING WAGENINGEN RESEARCH	21-May-13	21-May-14	5-Sep-17
US9750797	Sustained release vaccine composition	VIRBAC CORPORATION	16-Jun-04	16-Jun-05	5-Sep-17
US9750690	Circulation of components during microfluidization and/or homogenization of emulsions	NOVARTIS AG	3-Dec-09	5-Sep-14	5-Sep-17

US9746985	System and method for detecting, collecting, analyzing, and communicating event-related information	Georgetown University	25-Feb-08	20-Apr-11	29-Aug-17
US9746459	Antigen presenting cell assay	University of Pittsburgh of the Commonwealth System of Higher Education	8-Apr-10	11-Oct-13	29-Aug-17
US9745306	2-((4-amino-3-(3-fluoro-5-hydroxyphenyl)-1H-pyrazolo[3,4-D]pyrimidin-1-yl)methyl)-3-(2-(trifluoromethyl)benzyl) quinazolin-4(3H)-one derivatives and their use as phosphoinositide 3-kinase inhibitors	Respivert Limited	15-Mar-13	14-Mar-14	29-Aug-17
US9744231	Quality control methods for oil-in-water emulsions containing squalene	NOVARTIS AG	8-Nov-06	27-Aug-13	29-Aug-17
US9744229	Vaccines and immunotherapeutics using IL-28 and compositions and methods of using the same	THE TRUSTEES OF THE UNIVERSITY OF PENNSYLVANIA	4-Apr-08	28-Apr-14	29-Aug-17
US9744183	Nucleic acid prodrugs and methods of use thereof	WAVE LIFE SCIENCES LTD.	6-Jul-09	6-Jul-10	29-Aug-17
US9738894	Short interfering RNA (siRNA) analogues	Roche Innovation Center Copenhagen A/S	21-Mar-03	28-Mar-16	22-Aug-17
US9738624	Nuclear transport modulators and uses thereof	Karyopharm Therapeutics Inc.	21-Jun-13	20-Jun-14	22-Aug-17
US9737618	Adeno-associated virus (AAV) glades, sequences, vectors containing same, and uses therefor	The Trustees of the University of Pennsylvania	30-Sep-03	20-Jul-15	22-Aug-17
US9737593	Carbon nanotube compositions and methods of use thereof	Yale University	19-Mar-08	15-Mar-13	22-Aug-17
US9730997	Alphavirus vectors for respiratory pathogen vaccines	Novartis Vaccines and Diagnostics, Inc.	21-May-04	20-Aug-14	15-Aug-17
US9730912	Pharmaceutical compounds	ASTEX THERAPEUTICS LIMITED	12-Oct-06	12-Oct-07	15-Aug-17
US9727810	Spatially addressable molecular barcoding	Cellular Research, Inc.	27-Feb-15	26-Feb-16	8-Aug-17
US9726607	Systems and methods for detecting multiple optical signals	GEN-PROBE INCORPORATED	10-Mar-05	3-Mar-14	8-Aug-17
US9725770	Methods and compositions for identification of source of microbial contamination in a sample	The Regents of the University of California	6-Mar-12	6-Mar-13	8-Aug-17
US9725487	Compositions and methods for measles virus inhibition	Autoimmune Technologies, LLC	4-Nov-03	13-May-15	8-Aug-17
US9719106	Tissue preferential codon modified expression cassettes, vectors containing same, and uses thereof	The Trustees of the University of Pennsylvania	29-Apr-13	29-Apr-14	1-Aug-17
US9719083	Bioagent detection methods	IBIS BIOSCIENCES, INC.	8-Mar-09	8-Mar-10	1-Aug-17
US9718774	Indole carboxamide derivatives as P2X7 receptor antagonist	IDORSIA PHARMACEUTICALS LTD	12-Dec-12	11-Dec-13	1-Aug-17
US9717755	Method of treating inflammation	Cytosorbents Corporation	1-Apr-10	1-Apr-11	1-Aug-17
US9717749	Production of stable non-polyadenylated RNAs	Massachusetts Institute of Technology	16-Oct-12	16-Oct-13	1-Aug-17
US9717732	Drug combination	VERONA PHARMA PLC	15-Mar-13	17-Mar-14	1-Aug-17
US9714411	Animal protein-free media for cultivation of cells	Baxalta GmbH	29-Oct-04	30-Nov-15	25-Jul-17
US9714283	Compositions and methods for the treatment of immunodeficiency	ADMA BIOLOGICS, INC.	28-Oct-14	2-Jul-15	25-Jul-17
US9714226	Hydrazide containing nuclear transport modulators and uses thereof	Karyopharm Therapeutics Inc.	29-Jul-11	13-Nov-15	25-Jul-17
US9713641	Anti-TIGIT antigen-binding proteins and methods of use thereof	Potenza Therapeutics, Inc.	13-Feb-17	13-Feb-17	25-Jul-17
US9713606	Methods for treating pulmonary emphysema using substituted 2-Aza-bicyclo[2.2.1]heptane-3-carboxylic acid (benzyl-cyano-methyl)-amides inhibitors of cathepsin C	Boehringer Ingelheim International GmbH	14-Mar-13	1-Dec-15	25-Jul-17
US9708375	Inhibitory polypeptides specific to WNT inhibitors	Amgen Inc.	15-Mar-13	14-Mar-14	18-Jul-17
US9707278	Methods of modulating immune responses by modifying Akt3 bioactivity	Augusta University Research Institute, Inc.	17-Apr-14	17-Apr-15	18-Jul-17

US9701736	Influenza hemagglutinin-specific monoclonal antibodies for preventing and treating influenza virus infection	New York Blood Center, Inc.	20-Oct-10	9-Oct-14	11-Jul-17
US9701638	Therapeutic hydroxyquinolones	Rutgers, The State University of New Jersey	9-Nov-12	8-Nov-13	11-Jul-17
US9700616	Arranging interaction and back pressure chambers for microfluidization	NOVARTIS AG	3-Dec-09	22-Mar-16	11-Jul-17
US9700614	Intranasal vaccination dosage regimen	Eurocine Vaccines AB	17-Dec-12	17-Dec-13	11-Jul-17
US9700558	Drug combination of PDE3/PDE4 inhibitor and muscarinic receptor antagonist	VERONA PHARMA PLC	15-Mar-13	17-Mar-14	11-Jul-17
US9696247	Sample fixation and stabilisation	RNASSIST LTD.	1-Mar-13	28-Feb-14	4-Jul-17
US9695445	Method for production of reprogrammed cell using chromosomally unintegrated virus vector	ID Pharma Co., Ltd.	16-Jul-08	29-Jul-15	4-Jul-17
US9695135	Therapeutic catechols	Rutgers, The State University of New Jersey	12-May-14	11-May-15	4-Jul-17
US9695134	3,5-diamino-6-chloro-N-(n-(4-phenylbutyl)carbamidoyl)pyrazine-2-carboxamide compounds	Parion Sciences, Inc.	17-Dec-12	8-Jan-15	4-Jul-17
US9689018	Mixed cell diagnostic systems for detection of respiratory, herpes and enteric viruses	Diagnostic Hybrids, Inc.	24-Apr-98	4-Aug-14	27-Jun-17
US9688982	Methods and compositions for the treatment of cancer or other diseases	CITY OF HOPE	26-Jan-07	11-Oct-13	27-Jun-17
US9687536	Methods and compositions for intranasal delivery	SHIN NIPPON BIOMEDICAL LABORATORIES, LTD.	15-Apr-10	15-Apr-11	27-Jun-17
US9683256	Biological specimen collection and transport system	Longhorn Vaccines and Diagnostics, LLC	1-Oct-07	15-Dec-15	20-Jun-17
US9683017	Inhibitory peptides of viral infection	UNIVERSITY TENNESSEE RESEARCH FOUNDATION	17-Jul-14	16-Jul-15	20-Jun-17
US9682133	Disrupted adenovirus-based vaccine against drugs of abuse	CORNELL UNIVERSITY	17-Mar-10	17-Mar-11	20-Jun-17
US9677089	Adeno-associated virus (AAV) serotype 8 sequences, vectors containing same, and uses therefor	The Trustees of the University of Pennsylvania	17-Dec-01	30-Mar-16	13-Jun-17
US9676867	Chimeric T cell receptor comprising carbonic anhydrase IX (G250) antibody	Dana-Farber Cancer Institute Inc.	2-Dec-05	8-May-13	13-Jun-17
US9676857	Soluble engineered monomeric Fc	The United States of America, as represented by the Secretary, Department of Health and Human Services	16-Mar-12	14-Mar-13	13-Jun-17
US9676727	Myxovirus therapeutics, compounds, and uses related thereto	Children's Healthcare of Atlanta, Inc.	24-Oct-11	7-Jul-16	13-Jun-17
US9675550	Methods for inducing an immune response via buccal and/or sublingual administration of a vaccine	BOARD OF REGENTS, THE UNIVERSITY OF TEXAS SYSTEM	26-Jul-10	25-Jan-13	13-Jun-17
US9670507	Directed evolution and in vivo panning of virus vectors	The University of North Carolina at Chapel Hill	30-Apr-08	28-Jun-16	6-Jun-17
US9670166	Substituted bicyclic dihydropyrimidinones and their use as inhibitors of neutrophil elastase activity	Boehringer Ingelheim International GmbH	6-Feb-13	5-Aug-16	6-Jun-17
US9669092	Antagonism of the VIP signaling pathway	Emory University	2-Feb-11	31-Jan-12	6-Jun-17
US9669089	Nucleic acid comprising or coding for a histone stem-loop and a poly(A) sequence or a polyadenylation signal for increasing the expression of an encoded pathogenic antigen	CureVac AG	15-Feb-12	15-Feb-13	6-Jun-17
US9669088	Vaccination with multiple clades of H5 influenza A virus	Seqirus UK Limited	26-Nov-07	25-Nov-08	6-Jun-17
US9661856	Synergy of plant antimicrobials with silver	The Arizona Board of Regents on Behalf of The University of Arizona	24-Aug-12	26-Aug-13	30-May-17
US9657278	Methods to produce bunyavirus replicon particles	Stichting Dienst Landbouwkundig Onderzoek	20-Sep-10	10-Jul-15	23-May-17
US9657076	GM-CSF and IL-4 conjugates, compositions, and methods related thereto	Children's Healthcare of Atlanta, Inc.	23-Oct-12	23-Oct-13	23-May-17
US9657048	Enantiomers of the 1&C <sup>2</sup> ,6&C <sup>2</sup> -isomer of neplanocin A	Auburn University	4-Aug-14	4-Aug-15	23-May-17



US9657015	Substituted bicyclic dihydropyrimidinones and their use as inhibitors of neutrophil elastase activity	Boehringer Ingelheim International GmbH	31-Jul-14	27-Jul-15	23-May-17
US9655896	Chemically and metabolically stable dipeptide possessing potent sodium channel blocker activity	PARION SCIENCES, INC.	27-Jun-11	12-Jan-15	23-May-17
US9655845	Oil-in-water emulsions that contain nucleic acids	GlaxoSmithKline Biologicals, S.A.	6-Jul-11	6-Jul-12	23-May-17
US9655367	Disinfecting composition and wipes with reduced contact time	LONZA, INC.	6-Nov-13	4-Nov-14	23-May-17
US9651543	Malaria antigen screening method	The United States of America as Represented by the Secretary of the Navy	31-Aug-05	19-Apr-13	16-May-17
US9650685	Selective detection of human rhinovirus	The United States of America, as represented by the Secretary, Department of Health and Human Services	5-Dec-08	15-Dec-14	16-May-17
US9650649	LCMV-GP-VSV-pseudotyped vectors and tumor-infiltrating virus-producing cells for the therapy of tumors	VIRATHERAPEUTICS GMBH	8-Oct-08	8-Oct-09	16-May-17
US9649324	Use of tylvalosin as antiviral agent	CAMBRIDGE UNIVERSITY TECHNICAL SERVICES	13-Jul-06	8-Jun-15	16-May-17
US9649309	Therapeutic uses of selected pyrimidine compounds with anti-Mer tyrosine kinase activity	The University of North Carolina at Chapel Hill	11-Apr-14	3-Apr-15	16-May-17
US9644180	Synthetic membrane-receiver complexes	RUBIUS THERAPEUTICS, INC.	18-Nov-13	12-Jun-15	9-May-17
US9642876	Method of preventing or treating sinusitis with oxidative reductive potential water solution	SONOMA PHARMACEUTICALS, INC.	30-Dec-03	27-Oct-15	9-May-17
US9642873	Combinations of TGF $\beta$ 2 and COX-2 inhibitors and methods for their therapeutic application	Sirnaomics, Inc.	4-May-10	4-May-11	9-May-17
US9637524	Proteolysis-resistant capsid of chimeric hepatitis E virus as an oral delivery vector	The Regents of the University of California	27-Feb-09	5-Nov-14	2-May-17
US9637491	Pyrazolo[4,3-D]pyrimidines as kinase inhibitors	ORIGENIS GMBH	19-Oct-12	18-Oct-13	2-May-17
US9636410	Cationic oil-in-water emulsions	GLAXOSMITHKLINE BIOLOGICALS SA	6-Jul-11	6-Jul-12	2-May-17
US9636397	Adjuvant compositions and related methods	Vaxliant, LLC	24-Mar-15	24-Mar-16	2-May-17
US9636370	AAV vectors targeted to oligodendrocytes	The University of North Carolina at Chapel Hill	28-Sep-12	27-Sep-13	2-May-17
US9629907	Compositions for and methods of inducing mucosal immune responses	The Trustees of the University of Pennsylvania	19-Nov-04	28-Oct-11	25-Apr-17
US9624173	Heterocyclic modulators of lipid synthesis	3-V Biosciences, Inc.	8-Mar-11	19-Mar-15	18-Apr-17
US9623040	Immunomodulation by controlling expression levels of microRNAs in dendritic cells	The Board of Trustees of the Leland Stanford Junior University	14-Jul-14	10-Jul-15	18-Apr-17
US9618508	Flow cytometry analysis of materials adsorbed to metal salts	GlaxoSmithKline Biologicals SA	14-Dec-10	14-Dec-11	11-Apr-17
US9618476	System and method for electronic biological sample analysis	NANOMEDICAL DIAGNOSTICS, INC.	28-Apr-14	28-Apr-14	11-Apr-17
US9618429	Polymer stabilization of chromogen solutions	Ventana Medical Systems, Inc.	23-Jan-12	18-Jan-13	11-Apr-17
US9611481	Chimeric polynucleotides and polypeptides enabling the secretion of a polypeptide of interest in combination with exosomes and uses thereof	UNIVERSITE DE MONTPELLIER	24-Sep-09	23-Sep-10	4-Apr-17
US9611474	Double-stranded oligonucleotide molecules to DDIT4 and methods of use thereof	QUARK PHARMACEUTICALS, INC.	12-Sep-12	12-Sep-13	4-Apr-17
US9605276	Replication defective adenovirus vector in vaccination	Etubics Corporation	24-Aug-12	15-Mar-13	28-Mar-17
US9603864	Substituted nucleosides, nucleotides and analogs thereof	Alios BioPharma, Inc.	24-Jun-14	22-Jun-15	28-Mar-17
US9603850	MerTK-specific pyrazolopyrimidine compounds	The University of North Carolina at Chapel Hill	11-Apr-14	3-Apr-15	28-Mar-17
US9599606	ADP-ribose detection reagents	The Board of Regents of the University of Texas System	10-Jun-14	9-Jun-15	21-Mar-17
US9598459	Pharmaceutical compositions and methods	Pop Test Oncology LLC	3-Aug-15	28-Jul-16	21-Mar-17



US9597333	Benzazepine dicarboxamide compounds	Hoffmann-La Roche Inc.	6-Mar-15	28-Sep-16	21-Mar-17
US9593334	Use of the chromosome 19 microRNA cluster (C19MC) for treating viral disease and promoting autophagy	University of Pittsburgh of the Commonwealth System of Higher Education	7-Mar-12	6-Mar-13	14-Mar-17
US9593331	Double-stranded nucleic acid molecule for gene expression control	Osaka City University	2-Nov-11	1-Nov-12	14-Mar-17
US9593084	Chloro-pyrazine carboxamide derivatives with epithelial sodium channel blocking activity	Parion Sciences, Inc.	17-Dec-12	13-Dec-13	14-Mar-17
US9592284	Immunization regimen with E4-deleted adenovirus prime and E1-deleted adenovirus boost	The Trustees of the University of Pennsylvania	28-Apr-04	27-Apr-05	14-Mar-17
US9592277	Compositions with modified nucleases targeted to viral nucleic acids and methods of use for prevention and treatment of viral diseases	Avirid, Inc.	14-Apr-04	14-Apr-05	14-Mar-17
US9588069	Methods for performing thermal melt analysis	GEN-PROBE INCORPORATED	31-Jul-12	31-Jul-13	7-Mar-17
US9587250	Adeno-associated virus (AAV) serotype 8 sequences, vectors containing same, and uses therefor	Trustees of the University of Pennsylvania	17-Dec-01	16-Jan-15	7-Mar-17
US9586998	Methods of propagating monkey adenoviral vectors	GenVec, Inc.	9-Nov-09	4-Aug-15	7-Mar-17
US9586911	Arylalkyl- and aryloxyalkyl-substituted epithelial sodium channel blocking compounds	Parion Sciences, Inc.	13-Dec-13	19-Dec-14	7-Mar-17
US9586910	3,5-diamino-6-chloro-N-(N-(4-(4-(2-(hexyl(2,3,4,5,6-pentahydroxyhexyl)amino)ethoxy)phenyl)butyl)carbamimidoyl)pyrazine-2-carboxamide	Parion Sciences, Inc.	27-Jun-11	18-Dec-13	7-Mar-17
US9585968	Hydrazino 1H-imidazoquinolin-4-amines and conjugates made therefrom	3M Innovative Properties Company	3-Jun-11	14-Aug-15	7-Mar-17
US9585953	Immunogenic compositions in particulate form and methods for producing the same	MUCOSIS B.V.	22-Mar-11	22-Mar-12	7-Mar-17
US9585874	Nuclear transport modulators and uses thereof	Karyopharm Therapeutics Inc.	9-May-12	6-Jan-16	7-Mar-17
US9585849	Broad spectrum antiviral and methods of use	The Burlington HC Research Group, Inc.	17-Apr-06	17-Apr-07	7-Mar-17
US9580474	Polyionic papilloma virus-like particle (VLP) vaccines	THE JOHNS HOPKINS UNIVERSITY	8-Sep-10	8-Sep-11	28-Feb-17
US9580468	Methods and reagents for efficient and targeted delivery of therapeutic molecules to CXCR4 cells	CENTRE DE INVESTIGACION BIOMEDICA EN RED BIOINGENIERIA BIOMATERIALES Y NANOMEDICINA (CIBERBBN)	13-Jan-11	13-Jan-12	28-Feb-17
US9580429	Pyrrolo[3,2-D]pyrimidin-4-one derivatives and their use in therapy	AstraZeneca AB	6-Dec-04	15-Sep-14	28-Feb-17
US9574189	Enzymatic encoding methods for efficient synthesis of large libraries	Nuevolution A/S	1-Dec-05	1-Dec-06	21-Feb-17
US9574181	Influenza virus reassortment method	Seqirus UK Limited	21-May-10	24-Oct-14	21-Feb-17
US9573955	Compounds	Chiese Farmaceutici S.p.A.	16-Dec-13	16-Dec-14	21-Feb-17
US9573938	Therapeutic hydroxypyridinones, hydroxypyrimidinones and hydroxypyridazinones	Rutgers, The State University of New Jersey	11-Sep-12	11-Sep-13	21-Feb-17
US9572899	Compositions for enhancing transport of molecules into cells	AVI BIOPHARMA, INC.	29-Apr-03	5-Nov-08	21-Feb-17
US9572864	Compositions and uses of lectins	Emory University	12-Feb-10	11-Dec-15	21-Feb-17
US9572823	Boron-containing small molecules	Anacor Pharmaceuticals, Inc.	16-Feb-05	5-Apr-16	21-Feb-17
US9567336	Conjugated TLR7 and/or TLR8 and TLR2 agonists	INVIVOGEN	19-Nov-12	15-Mar-13	14-Feb-17
US9566326	Adjuvanted influenza vaccines for pediatric use	Seqirus UK Limited	22-Feb-08	21-Jun-13	14-Feb-17
US9566291	Nutritional composition comprising indigestible oligosaccharides	N.V. Nutricia	24-Aug-04	24-Aug-05	14-Feb-17
US9566290	Boron-containing small molecules	Anacor Pharmaceuticals, Inc.	16-Feb-05	20-Apr-16	14-Feb-17

US9566289	Boron-containing small molecules	Anacor Pharmaceuticals, Inc.	16-Feb-05	17-Feb-16	14-Feb-17
US9565857	Antimicrobial solutions	Board of Regents, The University of Texas System	10-Sep-10	9-Sep-11	14-Feb-17
US9562110	Bispecific antibody	Wuhan YZY Biopharma Co., Ltd.	21-Nov-12	21-Nov-12	7-Feb-17
US9561263	Treatment of inflammatory illnesses with ACE2	Apeiron Biologics AG	18-Dec-07	18-Dec-08	7-Feb-17
US9556237	Antiviral rift valley fever virus peptides and methods of use	The United States of America, as represented by the Secretary of the Army, on behalf of the U.S. Army Medical Research Institute of Infectious Diseases	6-Dec-12	4-Jun-15	31-Jan-17
US9556229	Modification of peptides using a bis(thioether)arylbridge approach	The Regents of the University of California	18-May-12	17-May-13	31-Jan-17
US9556184	Phosphoinositide 3-kinase inhibitors	Respivert, Ltd.	15-Mar-13	4-Dec-15	31-Jan-17
US9556117	Indole carboxamide derivatives as P2X7 receptor antagonists	ACTELION PHARMACEUTICALS LTD.	18-Dec-12	17-Dec-13	31-Jan-17
US9555031	Therapeutic uses of selected pyrrolopyrimidine compounds with anti-mer tyrosine kinase activity	The University of North Carolina at Chapel Hill	11-Apr-14	3-Apr-15	31-Jan-17
US9555030	Therapeutic uses of selected pyrazolopyrimidine compounds with anti-Mer tyrosine kinase activity	The University of North Carolina at Chapel Hill	11-Apr-14	3-Apr-15	31-Jan-17
US9550773	Substituted imidazoquinolines, imidazopyridines, and imidazonaphthyridines	3M Innovative Properties Company	18-Jun-04	13-Apr-15	24-Jan-17
US9550757	Nuclear transport modulators and uses thereof	Karyopharm Therapeutics Inc.	5-Mar-10	28-Jun-13	24-Jan-17
US9549949	Antiviral agent	NBC MESHTEC, INC.	3-Sep-08	31-Aug-09	24-Jan-17
US9549938	Boron-containing small molecules	Anacor Pharmaceuticals, Inc.	16-Feb-05	11-Mar-16	24-Jan-17
US9546371	Chimeric polynucleotides and polypeptides enabling secretion of a polypeptide of interest in association with exosomes and use thereof for the production of immunogenic compositions	CENTRE NATIONAL DE LA RECHERCHE SCIENTIFIQUE	18-Mar-08	18-Mar-09	17-Jan-17
US9546184	Alkyloxy substituted thiazoloquinolines and thiazolonaphthyridines	3M INNOVATIVE PROPERTIES COMPANY	13-Aug-08	8-Jun-15	17-Jan-17
US9546150	Substituted quinazolin-4-ones for inhibiting ubiquitin specific protease 7	HYBRIGENICS SA	2-Sep-11	29-Aug-12	17-Jan-17
US9545440	Methods for preparing squalene	NOVARTIS AG	12-May-10	23-Oct-15	17-Jan-17
US9540373	Substituted spirocycles	Boehringer Ingelheim International GmbH	12-Sep-14	10-Sep-15	10-Jan-17
US9539321	HMGB1-derived peptides enhance immune response to antigens	The Regents of the University of California	27-Jul-10	9-Mar-15	10-Jan-17
US9539217	Nanoparticle compositions	Allertin Therapeutics, LLC	3-Apr-13	3-Apr-14	10-Jan-17
US9533978	Pyrimidine derivatives and their use in the treatment of cancer and further diseases	Sumitomo Dainippon Pharma Co., Ltd	21-May-09	26-Aug-14	3-Jan-17
US9533037	Methods for designing and preparing vaccines comprising directed sequence polymer compositions via the directed expansion of epitopes	Declion Holdings LLC	16-Oct-07	16-Oct-08	3-Jan-17
US9529974	System and method for detecting, collecting, analyzing, and communicating event-related information	Georgetown University	25-Feb-08	27-Jul-11	27-Dec-16
US9527903	Engineered antibody constant domain molecules	The United States of America, as represent by the Secretary, Department of Health and Human Services	31-Jan-08	1-Oct-13	27-Dec-16
US9526803	Diagnostic chewing gum for pathogens	Julius-Maximilians-Universitaet Wuerzburg	8-Mar-12	8-Mar-13	27-Dec-16
US9526700	Composition for inactivating an enveloped virus	VIROBLOCK SA	19-May-06	17-Nov-14	27-Dec-16
US9522962	Peptides, conjugates and method for increasing immunogenicity of a vaccine	Academisch Ziekenhuis Leiden h.o.d.n. LUMC	15-Mar-10	15-Mar-11	20-Dec-16
US9522894	Certain (2S)-N-[(1S)-1-cyano-2-phenylethyl]-1,4-oxazepane-2-carboxamides as dipeptidyl peptidase 1 inhibitors	AstraZeneca AB	24-Jan-14	21-Jan-15	20-Dec-16

US9522171	EV576 for use in the treatment of viral infections of the respiratory tract	Volution Immuno Pharmaceuticals SA	8-Jan-10	2-Jan-15	20-Dec-16
US9518093	Topical formulation of arginine-rich cyclic antimicrobial peptides	NOVABIOTICS LIMITED	24-Feb-06	9-Nov-15	13-Dec-16
US9518083	Gadd45beta targeting agents	Imperial Innovations Limited	22-Oct-09	10-Feb-15	13-Dec-16
US9517263	Benzonaphthridine-containing vaccines	GlaxoSmithKline Biologicals SA	10-Jun-09	10-Jun-10	13-Dec-16
US9517205	Soluble needle arrays for delivery of influenza vaccines	Seqirus UK Limited	20-Aug-10	19-Aug-11	13-Dec-16
US9512471	Methods and kits for detecting human papillomavirus	DIACARTA Inc	30-Jun-10	30-Jun-10	6-Dec-16
US9512443	Recombinant expression of multiprotein complexes using polygenes	ETH ZURICH	8-Nov-05	6-Nov-06	6-Dec-16
US9512181	Fusion proteins of ciliate granule lattice proteins, granular protein particles thereof, and uses therefor	Tetragenetics, Inc.	27-May-11	29-May-12	6-Dec-16
US9511070	Heterocycl carboxamides for treating viral diseases	NovaDrug, LLC	31-Aug-12	30-Aug-13	6-Dec-16
US9506063	SiRNA compositions and methods for treatment of HPV and other infections	Sirnaomics, Inc.	29-Jul-10	29-Jan-13	29-Nov-16
US9504747	Lipids and lipid compositions for the delivery of active agents	Novartis AG	8-Mar-13	7-Mar-14	29-Nov-16
US9504673	Agent for the prophylaxis and treatment of highly pathogenic infectious diseases	LTD ÆValenta-IntellektÆ	21-May-09	10-May-10	29-Nov-16
US9504255	Physical antimicrobial method	NMS TECHNOLOGIES CO., LTD.	1-Aug-12	16-Jul-13	29-Nov-16
US9499799	Cells and methodology to generate non-segmented negative-strand RNA viruses	Centre National De La Recherche Scientifique	22-Dec-06	15-Oct-13	22-Nov-16
US9499535	Kinase inhibitors	ORIGENIS GMBH	21-Apr-11	23-Apr-12	22-Nov-16
US9499489	Myxovirus therapeutics, compounds, and uses related thereto	Children's Healthcare of Atlanta, Inc.	24-Oct-11	24-Oct-12	22-Nov-16
US9498548	Method of using oxidative reductive potential water solution in dental applications	Oculus Innovative Sciences, Inc.	2-May-05	2-May-06	22-Nov-16
US9498544	Genetically modified human umbilical cord perivascular cells for prophylaxis against or treatment of biological or chemical agents	Tissue Regeneration Therapeutics Inc.	21-Apr-08	13-Mar-15	22-Nov-16
US9498527	Vaccine composition	NITTO DENKO CORPORATION	4-Apr-12	3-Apr-13	22-Nov-16
US9494571	Methods of testing for intracellular pathogens	Novartis AG	8-Mar-10	7-Mar-11	15-Nov-16
US9493788	Adeno-associated virus (AAV) serotype 8 sequences, vectors containing same, and uses therefor	The Trustees of the University of Pennsylvania	17-Dec-01	16-Jan-15	15-Nov-16
US9493572	GITR antibodies and methods of inducing or enhancing an immune response	GITR, Inc.	25-Mar-05	23-Mar-15	15-Nov-16
US9493518	Compositions and methods for treating clostridium difficile-associated diseases	National Health Research Institutes	14-Mar-13	13-Mar-14	15-Nov-16
US9492528	Influenza virus-like particles (VLPS) comprising hemagglutinin	MEDICAGO INC.	13-Jul-07	2-Jul-09	15-Nov-16
US9492413	Use of salt of an acetylsalicylic acid for the treatment of viral infections	Ventaleon GMBH	14-Jan-08	14-Jan-09	15-Nov-16
US9489495	System and method for detecting, collecting, analyzing, and communicating event-related information	GEORGETOWN UNIVERSITY	25-Feb-08	28-Aug-08	8-Nov-16
US9487838	Oligonucleotide probe for the detection of adenovirus	QIAGEN HAMBURG GMBH	28-Dec-10	28-Dec-10	8-Nov-16
US9487837	Exosome-mediated diagnosis of hepatitis virus infections and diseases	MOREHOUSE SCHOOL OF MEDICINE	6-Oct-08	21-Jan-14	8-Nov-16
US9487778	Oligonucleotide modulators of the toll-like receptor pathway	QUARK PHARMACEUTICALS, INC.	3-Mar-11	1-Mar-12	8-Nov-16
US9487749	Use of methylsulfonylmethane (MSM) to modulate microbial activity	Biogenic Innovations, LLC	30-Oct-09	12-Aug-14	8-Nov-16

US9487528	Compounds	Chiesi Farmaceutici S.p.A.	9-Jun-14	5-Jun-15	8-Nov-16
US9486479	Antimicrobial solutions containing dichloride monoxide and methods of making and using the same	Oculus Innovative Sciences, Inc.	13-Mar-07	21-Jul-14	8-Nov-16
US9481912	Compositions and methods for detecting and identifying nucleic acid sequences in biological samples	Longhorn Vaccines and Diagnostics, LLC	12-Sep-06	8-Oct-13	1-Nov-16
US9481724	hDC-sign binding peptides	Sloan-Kettering Institute for Cancer Research	19-Dec-11	10-Dec-12	1-Nov-16
US9481630	Ingenane-type diterpene compound, and pharmaceutical composition for treating or preventing viral infectious diseases containing same	KOREA RESEARCH INSTITUTE OF BIOSCIENCE AND BIOTECHNOLOGY	19-Oct-11	28-Sep-12	1-Nov-16
US9476090	Signal propagation biomolecules, devices and methods	STC.UNM	21-May-13	21-May-14	25-Oct-16
US9476032	Attenuated viruses useful for vaccines	The Research Foundation for The State University of New York	30-Mar-07	31-Mar-08	25-Oct-16
US9475872	Nucleic acid molecules encoding monoclonal antibodies specific for IL17F	ImmunoQure AG	28-Dec-11	2-Jan-13	25-Oct-16
US9475862	Neutralizing GP41 antibodies and their use	The United States of America, as represented by the Secretary, Department of Health and Human Services	7-Nov-11	7-Nov-12	25-Oct-16
US9475832	Phosphonates with reduced toxicity for treatment of viral infections	The Regents of the University of California	14-Apr-10	29-Sep-14	25-Oct-16
US9475804	Heterobifunctional linkers with polyethylene glycol segments and immune response modifier conjugates made therefrom	3M Innovative Properties Company	3-Jun-11	1-Jun-12	25-Oct-16
US9475779	Substituted bicyclic dihydropyrimidinones and their use as inhibitors of neutrophil elastase activity	Boehringer Ingelheim International GmbH	31-Jul-14	27-Jul-15	25-Oct-16
US9475775	Benzazepine dicarboxamide compounds	Hoffmann-La Roche Inc.	6-Mar-15	4-Mar-16	25-Oct-16
US9474844	Methods for pathogen inactivation in blood using UV irradiation while minimizing heat transfer thereto	Hemalux LLC	22-Oct-14	29-Dec-15	25-Oct-16
US9474759	Broad-spectrum antivirals against 3C or 3C-like proteases of picornavirus-like supercluster: picornaviruses, caliciviruses and coronaviruses	Kansas State University Research Foundation	27-Sep-11	27-Sep-12	25-Oct-16
US9469876	Circulating biomarkers for metastatic prostate cancer	Caris Life Sciences Switzerland Holdings GmbH	6-Apr-10	6-Apr-11	18-Oct-16
US9464276	Highly efficient influenza matrix (M1) proteins	Novavax, Inc.	11-Jul-03	23-Feb-15	11-Oct-16
US9464123	Peptides having activity of inhibiting infections of respiratory viruses and use of the same	XIANGXUE GROUP (HONG KONG) COMPANY LIMITED	9-May-13	21-Feb-14	11-Oct-16
US9463240	Arranging interaction and back pressure chambers for microfluidization	NOVARTIS AG	3-Dec-09	11-Jul-14	11-Oct-16
US9459247	Quantitative measurement of nano/micro particle endocytosis with cell mass spectrometry	Academia Sinica	29-Mar-10	29-Mar-11	4-Oct-16
US9459233	Amperometric gas sensor	Steris Corporation	25-Jun-12	26-Feb-13	4-Oct-16
US9458492	Methods and cells for identifying RIG-I pathway regulators	Kineta, Inc.	25-Feb-11	23-Feb-12	4-Oct-16
US9458470	Recombinant influenza virus-like particles (VLPs) produced in transgenic plants expressing hemagglutinin	MEDICAGO INC.	21-Jan-08	23-Jan-13	4-Oct-16
US9458184	Compositions of TLR7 and/or TLR8 agonists conjugated to lipids	INVIVOGEN	15-Jun-12	15-Mar-13	4-Oct-16
US9458113	Substituted bicyclic dihydropyrimidinones and their use as inhibitors of neutrophil elastase activity	Boehringer Ingelheim International GmbH	31-Jul-14	27-Jul-15	4-Oct-16
US9457074	Compositions and methods for treating and preventing porcine reproductive and respiratory syndrome	Ohio State Innovation Foundation	24-Apr-12	23-Feb-15	4-Oct-16
US9453043	Nucleic acid chemical modifications	ALNYLAM PHARMACEUTICALS, INC.	2-Mar-09	22-Jan-15	27-Sep-16
US9452973	Modulators of the relaxin receptor 1	THE FLORIDA INTERNATIONAL UNIVERSITY BOARD OF TRUSTEES	4-May-12	15-Mar-13	27-Sep-16
US9452210	Influenza virus-like particles (VLPs) comprising hemagglutinin produced within a plant	MEDICAGO INC.	13-Jul-07	4-Jan-13	27-Sep-16

US9447462	Methods for concurrent identification and quantification of an unknown bioagent	IBIS BIOSCIENCES, INC.	18-Feb-04	27-Jan-14	20-Sep-16
US9447132	Highly active nucleoside derivative for the treatment of HCV	Achillion Pharmaceuticals, Inc.	12-Apr-13	14-Apr-14	20-Sep-16
US9447097	4-amino-imidazoquinoline compounds	Hoffmann-La Roche Inc.	22-Apr-14	7-Apr-16	20-Sep-16
US9446062	Methods of treating ischemia-reperfusion injury with siRNAs	Quark Pharmaceuticals, Inc.	25-Oct-06	8-Jan-15	20-Sep-16
US9442107	Antibody-nanoparticle conjugates and methods for making and using such conjugates	Ventana Medical Systems, Inc.	27-Apr-10	21-Apr-15	13-Sep-16
US9441247	TC-83-derived alphavirus vectors, particles and methods	ALPHAVAX, INC.	18-May-04	6-Jul-15	13-Sep-16
US9440960	Substituted oxetanes and their use as inhibitors of cathepsin C	Boehringer Ingelheim International GmbH	1-Aug-14	31-Jul-15	13-Sep-16
US9440930	Substituted bicyclic dihydropyrimidinones and their use as inhibitors of neutrophil elastase activity	Boehringer Ingelheim International GmbH	31-Jul-14	27-Jul-15	13-Sep-16
US9435795	Enhanced deposition of chromogens utilizing pyrimidine analogs	Ventana Medical Systems, Inc.	30-Dec-10	6-Oct-14	6-Sep-16
US9435000	Primate T-lymphotropic viruses	Johns Hopkins University	21-Feb-05	20-Sep-13	6-Sep-16
US9434997	Methods, compounds and systems for detecting a microorganism in a sample	Lawrence Livermore National Security, LLC	24-Aug-07	21-Aug-08	6-Sep-16
US9434769	Peptide compositions and methods for inhibiting herpesvirus infection	The Administrators of the Tulane Educational Fund	30-Oct-09	9-Jul-14	6-Sep-16
US9433672	Compositions and methods for activating innate and allergic immunity	ID Biomedical Corporation of Quebec	26-Apr-12	28-Apr-14	6-Sep-16
US9430610	Re-sequencing pathogen microarray	The United States of America, as represented by the Secretary of the Navy	2-Jul-04	10-Apr-08	30-Aug-16
US9428739	Norovirus and Sapovirus antigens	NOVARTIS VACCINES AND DIAGNOSTICS, INC.	24-Mar-01	27-Nov-12	30-Aug-16
US9428574	Polypeptides and uses thereof for treatment of autoimmune disorders and infection	COMPUGEN LTD.	30-Jun-11	1-Jul-12	30-Aug-16
US9428571	Antibodies and processes for preparing the same	TAIGA BIOTECHNOLOGIES, INC.	16-May-08	18-Mar-15	30-Aug-16
US9428490	Nuclear transport modulators and uses thereof	Karyopharm Therapeutics Inc.	29-Jul-11	26-Jul-12	30-Aug-16
US9428439	Hydrobenzamide derivatives as inhibitors of Hsp90	ASTEX THERAPEUTICS LTD.	12-Oct-06	7-Jan-14	30-Aug-16
US9426989	Organic peroxide compounds for microorganism inactivation	NOVARTIS AG	6-May-10	6-May-11	30-Aug-16
US9422367	Antigenic GM-CSF peptides and antibodies to GM-CSF	Morphotek, Inc.	7-Feb-06	26-Nov-13	23-Aug-16
US9421254	Immunostimulatory combinations of TLR ligands and methods of use	The United States of America, as represented by the Secretary, Department of Health and Human Services	24-Sep-07	24-Sep-08	23-Aug-16
US9416416	Biological specimen collection/transport compositions and methods	Longhorn Vaccines and Diagnostics, LLC	1-Oct-07	16-Dec-11	16-Aug-16
US9416409	Capture primers and capture sequence linked solid supports for molecular diagnostic tests	IBIS BIOSCIENCES, INC.	31-Jul-09	30-Jul-10	16-Aug-16
US9416396	Covalently linked thermostable kinase for decontamination process validation	The Secretary of State for Health	20-Feb-08	18-Feb-09	16-Aug-16
US9415392	Slip chip device and methods	The University of Chicago	24-Mar-09	23-Mar-10	16-Aug-16
US9415087	Compositions and methods for treating coronavirus infection	Ludwig-Maximilians-Universitaet Muenchen	11-Mar-14	8-May-15	16-Aug-16
US9415033	Esters of short chains fatty acids for use in the treatment of immunogenic disorders	PROONENT BIOTECH GMBH	3-Oct-12	3-Oct-13	16-Aug-16
US9409987	Polypeptides and polynucleotides, and uses thereof for treatment of immune related disorders and cancer	COMPUGEN LTD	15-Apr-11	16-Apr-12	9-Aug-16
US9409917	Heterocyclic amide derivatives as P2X7 receptor antagonists	ACTELION PHARMACEUTICALS LTD.	20-Jan-12	18-Jan-13	9-Aug-16

US9409870	Compounds	CHIESI FARMACEUTICI S.p.A.	15-Dec-14	27-Nov-15	9-Aug-16
US9408908	Combination adjuvant formulation	Not Available	16-Oct-08	15-Feb-13	9-Aug-16
US9408907	Homogenous suspension of immunopotentiating compounds and uses thereof	GlaxoSmithKline Biologicals SA	15-Dec-09	15-Dec-10	9-Aug-16
US9404160	Methods for the detection of microorganisms	Becton, Dickinson and Company	22-Dec-09	21-Dec-10	2-Aug-16
US9403868	Crystalline tripeptide epoxy ketone protease inhibitors	Onyx Therapeutics, Inc.	20-Mar-09	5-Mar-15	2-Aug-16
US9402921	Directed evolution and in vitro panning of virus vectors	The University of North Carolina at Chapel Hill	30-Apr-08	22-Oct-14	2-Aug-16
US9402878	Depsipeptide and uses thereof	NovoBiotic Pharmaceuticals, LLC	3-Dec-12	1-Jul-15	2-Aug-16
US9402812	Methods for the preparation of liposomes	Indu Javeri	23-Sep-09	23-Sep-10	2-Aug-16
US9394092	Powdered pouch and method of making same	MONOSOL, LLC	16-Apr-12	14-Mar-13	19-Jul-16
US9393564	Bioagent detection systems, devices, and methods	IBIS BIOSCIENCES, INC.	30-Mar-09	30-Mar-10	19-Jul-16
US9393295	Nanoparticles for use in pharmaceutical compositions	Novartis AG	28-Apr-08	28-Apr-09	19-Jul-16
US9393215	Nanoparticles for use in immunogenic compositions	Novartis AG	2-Dec-05	1-Dec-06	19-Jul-16
US9388429	Method for propagating adenoviral vectors encoding inhibitory gene products	GenVec, Inc.	10-Nov-05	28-May-14	12-Jul-16
US9388234	Systems and methods for identifying Replikin Scaffolds and uses of said Replikin Scaffolds	Not Available	6-Jun-03	19-Jun-13	12-Jul-16
US9388198	Heterocyclic amide derivatives as P2X7 receptor antagonists	ACTELION PHARMACEUTICALS LTD.	21-Jan-14	21-Jan-14	12-Jul-16
US9388197	Heterocyclic amide derivatives as P2X7 receptor antagonists	ACTELION PHARMACEUTICALS LTD.	22-Jan-13	21-Jan-14	12-Jul-16
US9387242	Chimeric viruses presenting non-native surface proteins and uses thereof	Icahn School of Medicine at Mount Sinai	2-Dec-05	1-Dec-06	12-Jul-16
US9382590	Methods and compositions for prostate cancer metastasis	FLORIDA AGRICULTURAL AND MECHANICAL UNIVERSITY (FAMU)	25-Mar-11	20-May-15	5-Jul-16
US9382545	CpG oligonucleotide analogs containing hydrophobic T analogs with enhanced immunostimulatory activity	COLEY PHARMACEUTICAL GMBH	27-Sep-06	4-Oct-13	5-Jul-16
US9382288	Derivatives of steroid benzylamines, having an antiparasitic antibacterial, antimycotic and/or antiviral action	Justus-Liebig-Universitat Giessen	6-Oct-10	6-Oct-11	5-Jul-16
US9381244	VISTA modulators for diagnosis and treatment of cancer	KING'S COLLEGE LONDON	7-Sep-12	9-Sep-13	5-Jul-16
US9381239	VLPS derived from cells that do not express a viral matrix or core protein	Novavax, Inc.	25-May-07	14-Apr-14	5-Jul-16
US9381226	Methods and compositions related to inhibition of viral entry	UNIVERSITY OF UTAH RESEARCH FOUNDATION	8-Feb-07	8-Feb-08	5-Jul-16
US9381220	Sceletium extract and uses thereof	H. L. Hall & Sons Limited	20-Mar-09	15-Jul-14	5-Jul-16
US9380785	Antiviral resin member	NBC MESHTEC, INC.	6-Jul-11	6-Jul-12	5-Jul-16
US9376486	Human monoclonal antibody with specificity for Dengue virus serotype 1 E protein and uses thereof	DSO National Laboratories	14-Dec-10	14-Dec-11	28-Jun-16
US9376398	Carboxylic acid compounds	Astrazeneca Aktiebolag	18-May-12	17-May-13	28-Jun-16
US9375465	Conjugates of GM-CSF and IL-7, compositions and methods related thereto	Children's Healthcare of Atlanta, Inc.	14-Nov-11	13-Nov-12	28-Jun-16
US9372156	System for processing contents of a receptacle to detect an optical signal emitted by the contents	GEN-PROBE INCORPORATED	10-Mar-05	22-Feb-11	21-Jun-16
US9371563	Nanoreporters and methods of manufacturing and use thereof	NanoString Technologies, Inc.	23-Dec-05	11-Mar-13	21-Jun-16

US9370582	Carbohydrate conjugates as delivery agents for oligonucleotides	ALNYLAM PHARMACEUTICALS, INC.	4-Dec-07	11-Jul-14	21-Jun-16
US9370581	Carbohydrate conjugates as delivery agents for oligonucleotides	ALNYLAM PHARMACEUTICALS, INC.	4-Dec-07	11-Jul-14	21-Jun-16
US9370570	Polychlorinated biphenyls and squalene-containing adjuvants	Novartis AG	28-Dec-07	10-Dec-13	21-Jun-16
US9370531	Method of providing patient specific immune response in amyloidoses and protein aggregation disorders	New York University	31-Aug-07	1-Sep-08	21-Jun-16
US9365577	Pyrimidinone compounds as human neutrophil elastase inhibitors	Chiesi Farmaceutici S.p.A.	18-Dec-12	17-Dec-13	14-Jun-16
US9365567	Alkoxy substituted imidazoquinolines	3M Innovative Properties Company	3-Oct-03	30-Sep-14	14-Jun-16
US9365523	Imidazolyl amide compounds and uses related thereto	Children's Healthcare of Atlanta, Inc.	31-Mar-11	28-Mar-12	14-Jun-16
US9365506	Compounds and compositions as TLR2 agonists	NOVARTIS AG	23-Mar-10	9-Jul-14	14-Jun-16
US9364511	Antiviral preparations obtained from a natural cinnamon extract	RAMOT AT TEL-AVIV UNIVERSITY LTD.	24-Dec-03	22-Jun-06	14-Jun-16
US9359360	TLR agonists	The Regents of The University of California	22-Aug-05	20-Nov-12	7-Jun-16
US9358280	Decreasing potential iatrogenic risks associated with influenza vaccines	Novartis AG	9-Sep-04	11-Jan-13	7-Jun-16
US9353133	Boron-containing small molecules	Anacor Pharmaceuticals, Inc.	16-Feb-05	7-Mar-14	31-May-16
US9352048	Carbohydrate conjugates as delivery agents for oligonucleotides	ALNYLAM PHARMACEUTICALS, INC.	4-Dec-07	22-Jul-14	31-May-16
US9347055	Method and kit for preparation of sample for use in nucleic acid amplification	EIKEN KAGAKU KABUSHIKI KAISHA	5-Nov-07	5-Nov-08	24-May-16
US9346866	Inhibition of tace activity with cyclic peptides	The Regents of the University of California	2-Jun-11	19-Sep-14	24-May-16
US9346794	Substituted 4-pyridones and their use as inhibitors of neutrophil elastase activity	Boehringer Ingelheim International GmbH	23-Aug-12	29-Dec-15	24-May-16
US9346769	Tetrazolones as inhibitors of fatty acid synthase	Infinity Pharmaceuticals, Inc.	5-May-10	23-Aug-13	24-May-16
US9346753	Dithiol mucolytic agents	PARION SCIENCES, INC.	23-Aug-13	13-Aug-14	24-May-16
US9345760	IPNV-ISAV bivalent vaccine using a virus-like particle-based platform and methods of using the same	Advanced Bionutrition Corporation	9-Sep-11	7-Sep-12	24-May-16
US9340507	Substituted 4-pyridones and their use as inhibitors of neutrophil elastase activity	Boehringer Ingelheim International GmbH	23-Aug-12	2-Sep-15	17-May-16
US9339561	Mutant protease biosensors with enhanced detection characteristics	PROMEGA CORPORATION	11-May-10	5-May-14	17-May-16
US9339525	Inhibition of biofilm organisms	Novabiotics Limited	31-Mar-09	31-Mar-10	17-May-16
US9334268	4-amino-imidazoquinoline compounds	HOFFMAN-LA ROCHE INC.	22-Apr-14	22-Apr-15	10-May-16
US9328110	Substituted imidazo ring systems and methods	3M INNOVATIVE PROPERTIES COMPANY	25-Nov-03	11-Mar-14	3-May-16
US9328093	Selective inhibitors of ubiquitin specific protease 7, the pharmaceutical compositions thereof and their therapeutic applications	HYBRIGENICS SA	15-Jan-10	17-Sep-14	3-May-16
US9326972	Use of phenylmethimazoles, methimazole derivatives, and tautomeric cyclic thiones for the treatment of autoimmune/inflammatory diseases associated with toll-like receptor overexpression	Ohio University	16-Mar-04	9-Feb-12	3-May-16
US9322827	B-cell antigen presenting cell assay	University of Pittsburgh - Of the Commonwealth System of Higher Education	8-Apr-10	8-Apr-11	26-Apr-16
US9321999	Compositions for increasing polypeptide stability and activity, and related methods	SOLIS BIODYNE OÅœ	19-Nov-09	19-Nov-10	26-Apr-16
US9321847	Activatable toxin complexes comprising a cleavable inhibitory peptide	RAMOT at Tel Aviv University Ltd.	20-Sep-10	22-Aug-11	26-Apr-16



US9321831	RSV-specific binding molecules and means for producing them	MedImmune Limited	1-Jun-07	13-Sep-13	26-Apr-16
US9320784	Peptides shared among lethal cancers and therapeutic compositions comprising said peptides	Not Available	7-Aug-09	19-Jul-12	26-Apr-16
US9320748	Immunologically useful arginine salts	Novartis AG	7-Mar-12	7-Mar-13	26-Apr-16
US9315530	Adsorption of immunopotentiators to insoluble metal salts	Novartis AG	1-Sep-10	1-Sep-11	19-Apr-16
US9310375	Luminophore-labeled molecules coupled with particles for microarray-based assays	CapitalBio Corporation	27-Oct-10	27-Oct-10	12-Apr-16
US9310088	Device and method for reducing spread of microorganisms and airborne health hazardous matter and/or for protection from microorganisms and airborne health hazardous matter	Technical University of Denmark	17-Jul-09	14-Jul-10	12-Apr-16
US9309325	Antibodies and methods of use thereof	The Regents of the University of California	7-May-09	4-May-10	12-Apr-16
US9303068	D-amino acid derivative-modified peptidoglycan and methods of use thereof	The Regents of the University of California	30-Nov-12	27-Nov-13	5-Apr-16
US9303000	Olefin containing nuclear transport modulators and uses thereof	KARYOPHARM THERAPEUTICS INC.	17-Jan-11	16-Jan-12	5-Apr-16
US9297010	Short interfering RNA (siRNA) analogues	Roche Innovation Center Copenhagen A/S	21-Mar-03	11-Feb-14	29-Mar-16
US9295732	Conjugated TLR7 and/or TLR8 and TLR2 polycationic agonists	INVIVOGEN	22-Feb-13	22-Feb-13	29-Mar-16
US9295708	Modified release formulations for oprozomib	Onyx Therapeutics, Inc.	24-Oct-12	24-Oct-13	29-Mar-16
US9295646	Cationic oil-in-water emulsions	Novartis AG	6-Jul-10	18-Sep-11	29-Mar-16
US9291628	Direct clone analysis and selection technology	Dublin City University	13-Jul-10	13-Jul-11	22-Mar-16
US9291597	Detecting targets using mass tags and mass spectrometry	VENTANA MEDICAL SYSTEMS, INC.	2-Jul-10	1-Jul-11	22-Mar-16
US9290794	Mutant protease biosensors with enhanced detection characteristics	PROMEGA CORPORATION	11-May-10	12-Nov-12	22-Mar-16
US9290786	Monoclonal antibody production by EBV transformation of B cells	Institute for Research in Biomedicine	26-Feb-03	25-Apr-13	22-Mar-16
US9290760	Modified iRNA agents	ALNYLAM PHARMACEUTICALS, INC.	15-Sep-10	14-Sep-11	22-Mar-16
US9290745	Luciferase biosensor	PROMEGA CORPORATION	10-Oct-03	14-Feb-14	22-Mar-16
US9290545	Compositions and methods for the treatment of viral infections	Dana-Farber Cancer Institute, Inc.	23-Jan-08	23-Jul-10	22-Mar-16
US9290459	Substituted bicyclic dihydropyrimidinones and their use as inhibitors of neutrophil elastase activity	Boehringer Ingelheim International GmbH	6-Feb-13	9-Nov-15	22-Mar-16
US9290457	Substituted dihydropyrimidinones and their use as inhibitors of neutrophil elastase activity	Boehringer Ingelheim International GmbH	31-Jul-14	27-Jul-15	22-Mar-16
US9289487	II-key/antigenic epitope hybrid peptide vaccines	Antigen Express, Inc.	14-Sep-99	11-Jan-05	22-Mar-16
US9284560	Application of highly conserved domain sequences from viral genome as template to design therapeutic siRNAs	Biocross Institute of Molecular Medicine (Nantong) Co., Ltd.	19-Sep-11	19-Sep-11	15-Mar-16
US9278128	Vaccines and immunotherapeutics comprising IL-15 receptor alpha and/or nucleic acid molecules encoding the same, and methods for using the same	The Trustees of the University of Pennsylvania	14-Sep-09	6-Jan-14	8-Mar-16
US9278126	Influenza vaccines with reduced amounts of squalene	Seqirus UK Limited	10-Feb-09	10-Feb-10	8-Mar-16
US9272024	Compositions, comprising improved IL-12 genetic constructs and vaccines, immunotherapeutics and methods of using the same	The Trustees of the University of Pennsylvania	12-Dec-11	11-Dec-12	1-Mar-16
US9271494	Shelf stable, reduced corrosion, ready to use peroxydicarboxylic acid antimicrobial compositions	Ecolab USA, Inc.	30-Aug-07	30-Aug-07	1-Mar-16
US9266844	Suppression of SARS replication by SARS helicase inhibitors	The Curators of the University of Missouri	15-Jun-12	17-Jun-13	23-Feb-16



US9266843	Nuclear transport modulators and uses thereof	Karyopharm Therapeutics Inc.	9-May-12	9-May-13	23-Feb-16
US9265876	Systems and methods for pathogen inactivation in blood using UV irradiation while minimizing heat transfer thereto	Hemalux Technologies LLC	22-Oct-14	22-Oct-14	23-Feb-16
US9260398	Dendrimer like amino amides possessing sodium channel blocker activity for the treatment of dry eye and other mucosal diseases	PARION SCIENCES, INC.	29-May-12	9-Dec-14	16-Feb-16
US9255144	Anti-IL-18 antibodies and their uses	MedImmune Limited	20-Dec-10	20-Dec-11	9-Feb-16
US9255140	Adjuvancy and immune potentiating properties of natural products of Onchocerca volvulus	NEW YORK BLOOD CENTER, INC.	15-Jun-04	23-Mar-09	9-Feb-16
US9254315	Systems and methods for identifying replikin scaffolds and uses of said replikin scaffolds	Not Available	28-Apr-04	3-Feb-10	9-Feb-16
US9254265	Small liposomes for delivery of immunogen encoding RNA	NOVARTIS AG	31-Aug-10	31-Aug-11	9-Feb-16
US9249427	Recombinant HCMV and RHCMV vectors and uses thereof	Oregon Health & Science University	14-May-10	14-Nov-12	2-Feb-16
US9249195	Reovirus vaccines and methods of use therefor	Vanderbilt University	7-Apr-10	4-Apr-11	2-Feb-16
US9248201	Mutant protease biosensors with enhanced detection characteristics	PROMEGA CORPORATION	11-May-10	5-May-14	2-Feb-16
US9248178	Different serotypes of vesicular stomatitis virus as expression vectors for immunization regimens	Not Available	8-Jun-09	8-Jun-10	2-Feb-16
US9242980	Lipidated immune response modifier compound compositions, formulations, and methods	3M Innovative Properties Company	17-Aug-10	16-Aug-11	26-Jan-16
US9238809	Compositions, methods, and kits for isolating and analyzing nucleic acids using an anion exchange material	QIAGEN GAITHERSBURG, INC.	24-Sep-09	5-Aug-10	19-Jan-16
US9234175	Creating bioengineered lymph nodes	H. Lee Moffitt Cancer Center and Research Institute, Inc.	17-Nov-09	16-Nov-10	12-Jan-16
US9233148	Replikin-based compounds for prevention and treatment of influenza and methods of differentiating infectivity and lethality in influenza	Not Available	9-Jan-09	16-Oct-09	12-Jan-16
US9227977	Phosphoinositide 3-kinase inhibitors	Respivert Ltd.	15-Mar-13	14-Mar-14	5-Jan-16
US9222075	Animal protein-free media for cultivation of cells	Baxalta GmbH	29-Oct-04	2-May-14	29-Dec-15
US9221832	Heterocyclic amide derivatives as P2X7 receptor antagonists	ACTELION PHARMACEUTICALS LTD.	22-Jul-11	20-Jul-12	29-Dec-15
US9221807	Substituted pyridones and pyrazinones and their use as inhibitors of neutrophil elastase activity	Boehringer Ingelheim International GmbH	21-Feb-14	12-Feb-15	29-Dec-15
US9220768	Decreasing potential iatrogenic risks associated with influenza vaccines	Novartis AG	9-Sep-04	14-Oct-11	29-Dec-15
US9217745	Arrayed detector system for measurement of influenza immune response	University of Rochester	2-May-08	11-Jul-13	22-Dec-15
US9217157	Recombinant influenza viruses and uses thereof	Icahn School of Medicine at Mount Sinai	27-Jul-09	27-Jul-10	22-Dec-15
US9216192	Toll-like receptor agonist formulations and their use	VentiRx Pharmaceuticals, Inc.	1-Aug-08	16-Jul-12	22-Dec-15
US9213027	Lipoparticles comprising proteins, methods of making, and using the same	Integral Molecular, Inc.	30-Jul-03	1-Nov-13	15-Dec-15
US9212399	Biological specimen collection and transport system and method of use	Longhorn Vaccines and Diagnostics, LLC	1-Oct-07	7-Jan-14	15-Dec-15
US9212205	Nucleic acid binding compounds and methods of use	University of Rochester	26-Jul-07	28-Jul-08	15-Dec-15
US9206396	Methods and devices for quantitative viral assays	Wisconsin Alumni Research Foundation	16-Nov-05	16-Nov-06	8-Dec-15
US9206158	Hydrazide containing nuclear transport modulators and uses thereof	Karyopharm Therapeutics Inc.	29-Jul-11	10-Jun-15	8-Dec-15
US9200329	Rapid epidemiologic typing of bacteria	BioFire Diagnostics, LLC	19-May-08	18-May-09	1-Dec-15

US9200287	Phosphate-modified oligonucleotide analogs with enhanced immunostimulatory activity	AdiuTide Pharmaceuticals GmbH	18-May-07	15-May-08	1-Dec-15
US9200280	Methods and compositions for the treatment of cancer or other diseases	CITY OF HOPE	26-Jan-07	9-Jun-14	1-Dec-15
US9200279	Methods and compositions for the treatment of cancer or other diseases	CITY OF HOPE	26-Jan-07	14-Jan-14	1-Dec-15
US9200074	Antibodies to IL-1 R1 and methods of making them	MEDIMMUNE LIMITED	7-Nov-08	16-Apr-14	1-Dec-15
US9199981	Compounds and compositions as C-kit kinase inhibitors	NOVARTIS AG	1-Sep-11	27-Aug-12	1-Dec-15
US9199897	Methods for preparing squalene	NOVARTIS AG	12-May-10	12-May-11	1-Dec-15
US9198927	Targeting opposite strand replication intermediates of single-stranded viruses by RNAI	ALNYLAM PHARMACEUTICALS, INC.	24-Sep-04	1-Mar-10	1-Dec-15
US9193780	Amino acid sequences directed against envelope proteins of a virus and polypeptides comprising the same for the treatment of viral diseases	Abylnx N.V.	5-Jun-08	5-Jun-09	24-Nov-15
US9192661	Delivery of self-replicating RNA using biodegradable polymer particles	Novartis AG	6-Jul-10	7-Jun-11	24-Nov-15
US9187748	Compositions and methods for silencing ebola virus gene expression	Not Available	20-Jul-09	28-Mar-14	17-Nov-15
US9187426	Organic compounds	Novartis AG	27-Jun-08	25-Jun-09	17-Nov-15
US9186419	Directed evolution and in vitro panning of virus vectors	The University of North Carolina at Chapel Hill	30-Apr-08	17-Jan-14	17-Nov-15
US9186399	Immune stimulatory oligonucleotide analogs containing modified sugar moieties	AdiuTide Pharmaceuticals GmbH	9-Oct-07	29-Sep-08	17-Nov-15
US9181303	Treatment of bacterial infections with cyclic antimicrobial peptides	NovaBiotics Limited	22-Dec-05	20-Jun-14	10-Nov-15
US9181290	Inhibition of biofilm formation by 1,2,3,4,6-penta-O-galloyl-D-glucopyranose	CHANG GUNG UNIVERSITY	17-Jun-11	19-Sep-11	10-Nov-15
US9175047	Peptidomimetic macrocycles	Aileron Therapeutics, Inc.	14-Jan-09	14-Jan-10	3-Nov-15
US9174925	Phorbol type diterpene compound, pharmaceutical composition for treatment or prevention of viral infectious diseases including same	KOREA RESEARCH INSTITUTE OF BIOSCIENCE AND BIOTECHNOLOGY	26-Oct-11	28-Sep-12	3-Nov-15
US9169318	Neutralizing molecules to viral antigens	Sea Lane Biotechnologies, Inc.	28-Mar-08	18-Jul-11	27-Oct-15
US9168318	Oxidative reductive potential water solution and methods of using the same	Oculus Innovative Sciences, Inc.	30-Dec-03	11-Aug-04	27-Oct-15
US9168299	Methods for treating juvenile arthritis with ant-bile salt-stimulated lipase (BSSL) antibodies	LIPUM AB	8-Apr-09	30-Oct-13	27-Oct-15
US9168269	Inhibitors of long and very long chain fatty acid metabolism as broad spectrum anti-virals	THE TRUSTEES OF PRINCETON UNIVERSITY	18-Feb-10	18-Feb-11	27-Oct-15
US9163222	Mutations in OAS1 genes	Kineta Two, LLC	4-May-05	14-Nov-12	20-Oct-15
US9163065	Depsipeptide and uses thereof	NovoBiotic Pharmaceuticals, LLC	3-Dec-12	3-Dec-13	20-Oct-15
US9161976	Immunotherapy comprising TLR9 ligand and CD40 ligand	Trustees of Dartmouth College	30-Dec-02	22-Oct-12	20-Oct-15
US9156811	N-myristoyl transferase inhibitors	Univeristy of Dundee	2-Sep-08	29-Aug-09	13-Oct-15
US9155309	Virus inactivating sheet	NBC MESHTEC, INC.	2-Oct-09	4-Oct-10	13-Oct-15
US9149473	Targeted whole genome amplification method for identification of pathogens	IBIS BIOSCIENCES, INC.	14-Sep-06	14-Sep-07	6-Oct-15
US9149445	Inhibition of glycerol-3-phosphate acyltransferase (GPAT) and associated enzymes for treatment of viral infections	THE TRUSTEES OF PRINCETON UNIVERSITY	27-Jul-09	27-Jul-10	6-Oct-15
US9145588	Generation of binding molecules	MERUS BIOPHARMACEUTICALS B.V.	26-Sep-11	26-Sep-12	29-Sep-15

US9145585	Method for using permuted nucleic acid probes	Ventana Medical Systems, Inc.	1- Sep- 06	5- Aug- 14	29- Sep- 15
US9145410	Pyrazolopyridines and analogs thereof	3M Innovative Properties Company	3- Oct- 03	26- Jan- 12	29- Sep- 15
US9144575	Anti-viral azide containing compounds	LIFE TECHNOLOGIES CORPORATION	28- Jul-10	28- Jul-11	29- Sep- 15
US9139833	Modified small interfering RNA molecules and methods of use	Arrowhead Research Corporation	26- Jul-02	12- Mar- 13	22- Sep- 15
US9139647	Diagnosis and treatment of cancer using anti-TM4SF20 antibody	FORERUNNER PHARMA RESEARCH CO., LTD.	25- Dec- 08	25- Dec- 09	22- Sep- 15
US9139620	Feline morbillivirus and uses thereof	THE GOVERNMENT OF THE HONG KONG SPECIAL ADMINISTRATIVE REGION OF THE PEOPLE'S REPUBLIC OF CHINA	20- Jan- 12	22- Jan- 13	22- Sep- 15
US9138472	CD40L vaccines, compositions, and methods related thereto	EMORY UNIVERSITY	28- Sep- 10	28- Sep- 11	22- Sep- 15
US9134247	Method and apparatus for two-step surface-enhanced raman spectroscopy	REAL-TIME ANALYZERS, INC.	16- Dec- 11	16- Dec- 11	15- Sep- 15
US9133248	Methods of propagating monkey adenoviral vectors	GenVec, Inc.	9- Nov- 09	9- Nov- 10	15- Sep- 15
US9132423	Sample-to-answer microfluidic cartridge	Micronics, Inc.	29- Jan- 10	28- Jan- 11	15- Sep- 15
US9132175	Bacillus based delivery system and methods of use	The Curators of the University of Missouri	18- Apr- 11	18- Apr- 11	15- Sep- 15
US9128101	Biomarkers for theranostics	Caris Life Sciences Switzerland Holdings GmbH	1- Mar- 10	1- Mar- 11	8- Sep- 15
US9127256	Method for production of reprogrammed cell using chromosomally unintegrated virus vector	DNAVEC CORPORATION	16- Jul-08	16- Jul- 09	8- Sep- 15
US9127251	Means and methods for influencing the stability of antibody producing cells	ACADEMISCH MEDISCH CENTRUM BIJ DE UNIVERSITEIT VAN AMSTERDAM	9- Dec- 05	8- Dec- 06	8- Sep- 15
US9127028	Substrates for chromogenic detection and methods of use in detection assays and kits	Ventana Medical Systems, Inc.	16- Aug- 10	12- Aug- 11	8- Sep- 15
US9125952	Immunostimulatory compositions comprising liposome-encapsulated oligonucleotides and epitopes	Industry Academic Cooperation Foundation, Hallym University	17- Jul-09	13- Aug- 14	8- Sep- 15
US9115093	Substituted bicyclic dihydropyrimidinones and their use as inhibitors of neutrophil elastase activity	Boehringer Ingelheim International GmbH	4- Mar- 13	20- Feb- 14	25- Aug- 15
US9115065	Sulfonyl semicarbazides, semicarbazides and ureas, pharmaceutical compositions thereof, and methods for treating hemorrhagic fever viruses, including infections associated with Arenaviruses	Kineta, Inc.	6- Dec- 04	26- Feb- 13	25- Aug- 15
US9109199	Methods to produce bunyavirus replicon particles	STICHTING DIENST LANDBOUWKUNDIG ONDERZOEK	20- Sep- 10	20- Sep- 11	18- Aug- 15
US9107970	Method and a filter for capturing airborne agents	Not Available	15- Jul-08	13- Jul- 09	18- Aug- 15
US9107958	Hydrazino 1H-imidazoquinolin-4-amines and conjugates made therefrom	3M Innovative Properties Company	3- Jun- 11	1- Jun- 12	18- Aug- 15
US9107906	Compositions and methods for the treatment of immunodeficiency	ADMA BIOLOGICS, INC.	28- Oct- 14	8- Jan- 15	18- Aug- 15
US9107904	Immunostimulatory compositions and methods of use thereof	Massachusetts Institute of Technology	5- Apr- 12	15- Mar- 13	18- Aug- 15
US9102938	2â€²C <sup>2</sup> and 5â€²C <sup>2</sup> modified monomers and oligonucleotides	ALNYLAM PHARMACEUTICALS, INC.	31- Mar- 11	31- Mar- 11	11- Aug- 15
US9102911	High density self-contained biological analysis	BioFire Diagnostics, LLC	15- May- 09	28- Jan- 13	11- Aug- 15
US9102741	GAS57 mutant antigens and GAS57 antibodies	Novartis AG	12- Sep- 07	13- Oct- 14	11- Aug- 15
US9102740	Cna-B domain antigens in vaccines against gram positive bacteria	NOVARTIS AG	12- Jan- 09	7- Jun- 13	11- Aug- 15
US9102633	Arylalkyl- and aryloxyalkyl-substituted epithelial sodium channel blocking compounds	Parion Sciences, Inc.	13- Dec- 13	13- Dec- 13	11- Aug- 15
US9102624	Substituted 4-pyridones and their use as inhibitors of neutrophil elastase activity	Boehringer Ingelheim International GmbH	23- Aug- 12	20- Aug- 13	11- Aug- 15

US9101597	Immunoprotective primary mesenchymal stem cells and methods	Autoimmune Technologies, LLC	14-Mar-13	14-Mar-13	11-Aug-15
US9101582	Use of a pneumococcal P4 peptide for enhancing opsonophagocytosis in response to a pathogen	The United States of America as represented by the Secretary of the Department of Health and Human Services, Centers for Disease Control and Prevention	31-Jul-08	27-Mar-13	11-Aug-15
US9096585	Antiviral compounds and uses thereof	Icahn School of Medicine at Mount Sinai	28-May-10	31-May-11	4-Aug-15
US9096543	Nuclear transport modulators and uses thereof	Karyopharm Therapeutics Inc.	9-May-12	9-May-13	4-Aug-15
US9090897	Production of IFN-lambda by conventional dendritic cells	Bavarian Nordic A/S	18-Dec-09	17-Dec-10	28-Jul-15
US9085641	Peptides regulating the surface expression of the T cell receptor	Max-Delbruck-Centrum Fur Molekulare Medizin	23-Jun-06	23-Jun-07	21-Jul-15
US9084808	Modified small interfering RNA molecules and methods of use	Arrowhead Research Corporation	1-Oct-04	9-May-14	21-Jul-15
US9084758	Antiviral compositions comprising ethanol extract of Tetracera scandens and use thereof	The Catholic University of Korea Industry-Academic Cooperation Foundation	24-Jul-12	25-Aug-14	21-Jul-15
US9080209	Non-mass determined base compositions for nucleic acid detection	IBIS BIOSCIENCES, INC.	6-Aug-09	6-Aug-10	14-Jul-15
US9080204	Compositions and methods for rapid, real-time detection of influenza a virus (H1N1) Swine 2009	Longhorn Vaccines and Diagnostics, LLC	12-Sep-06	30-Dec-11	14-Jul-15
US9079965	Bispecific antibody	Wuhan ZY Biopharma Co., LTD.	21-Nov-12	13-Mar-14	14-Jul-15
US9079943	TC-83-derived alphavirus vectors, particles and methods	ALPHAVAX, INC.	18-May-04	28-Mar-14	14-Jul-15
US9079865	Hydrazide containing nuclear transport modulators and uses thereof	Karyopharm Therapeutics Inc.	29-Jul-11	29-Jul-12	14-Jul-15
US9078885	Respiratory disease treatment	Pulmagen Therapeutics (Inflammation) Limited	7-Aug-08	7-Apr-14	14-Jul-15
US9078868	Therapeutic agent for accelerating recovery of animal under medical treatment	DAIICHI SANKYO COMPANY, LIMITED	15-Jan-10	14-Jan-11	14-Jul-15
US9073869	Method of using substituted 2-Aza-bicyclo[2.2.2]octane-3-carboxylic acid (benzyl-cyano-methyl)-amides inhibitors of cathepsin C	Boehringer Ingelheim International GmbH	14-Mar-13	11-Sep-14	7-Jul-15
US9072738	Chemically and metabolically stable dipeptide possessing potent sodium channel blocker activity	PARION SCIENCES, INC.	27-Jun-11	27-Jun-12	7-Jul-15
US9072726	Methods of treating or preventing inflammation and hypersensitivity with oxidative reductive potential water solution	Oculus Innovative Sciences, Inc.	20-Jan-06	21-Dec-09	7-Jul-15
US9072702	Reverse genetics using non-endogenous pol I promoters	Novartis AG	21-May-09	21-May-10	7-Jul-15
US9067873	Sulfonyl semicarbazides, semicarbazides and ureas, pharmaceutical compositions thereof, and methods for treating hemorrhagic fever viruses, including infections associated with arenaviruses	Kineta Four, LLC	6-Dec-04	19-Dec-13	30-Jun-15
US9066964	Use of tylvalosin as antiviral agent	Cambridge University Technical Services	13-Jul-06	13-Jul-07	30-Jun-15
US9063150	Method for detection of antigen-specific antibodies in biological samples	The United States of America as represented by the Secretary of the Department of Health and Human Services, Centers for Disease Control Prevention	2-Sep-08	25-Aug-09	23-Jun-15
US9061001	Combination adjuvant formulation	Dalhousie University	16-Oct-08	15-Oct-09	23-Jun-15
US9056900	Compositions and methods for coronavirus inhibition	Autoimmune Technologies, LLC.	4-Nov-03	8-Aug-13	16-Jun-15
US9056898	Attenuated RNA virus and applications thereof	Washington University	20-Sep-07	22-Sep-08	16-Jun-15
US9056071	Compounds and methods for preventing or treating a viral infection	CENTRE NATIONAL DE LA RECHERCHE SCIENTIFIQUE (C.N.R.S.)	2-Nov-07	19-Jun-13	16-Jun-15
US9051619	Methods and compositions for prostate cancer metastasis	FLORIDA AGRICULTURAL AND MECHANICAL UNIVERSITY (FAMU)	25-Mar-11	23-Mar-12	9-Jun-15
US9051564	Compositions for and methods of identifying antigens	President and Fellows of Harvard College	21-Feb-06	21-Feb-07	9-Jun-15
US9051353	Crystalline tripeptide epoxy ketone protease inhibitors	Onyx Therapeutics, Inc.	20-Mar-09	24-Sep-13	9-Jun-15

US9050376	Conjugates of synthetic TLR agonists and uses therefor	The Regents of the University of California	7-Feb-07	19-Jun-14	9-Jun-15
US9046523	Rapid bioluminescence detection system	THE SECRETARY OF STATE FOR HEALTH	7-Jan-09	2-Aug-13	2-Jun-15
US9045855	Anti-viral member	NBC Meshtec, Inc.	26-Dec-08	28-Dec-09	2-Jun-15
US9045727	Virus-like particles, methods of preparation, and immunogenic compositions	EMORY UNIVERSITY	17-May-02	4-Apr-06	2-Jun-15
US9045472	Imidazoquinoline compounds	ASTRAZENECA AB	16-Dec-10	16-Dec-11	2-Jun-15
US9045470	Compounds and compositions as TLR activity modulators	IRM LLC	2-Sep-09	1-Sep-10	2-Jun-15
US9044420	Immunogenic compositions and methods of using the compositions for inducing humoral and cellular immune responses	IMMUNE DESIGN CORP.	8-Apr-11	6-Apr-12	2-Jun-15
US9040310	Antibody-nanoparticle conjugates and methods for making and using such conjugates	Ventana Medical Systems, Inc.	27-Apr-10	27-Apr-11	26-May-15
US9034646	Virally-inactivated growth factors-containing platelet lysate depleted of PDGF and VEGF and preparation method thereof	ZHENG YANG BIOMEDICAL TECHNOLOGY CO., LTD.	25-May-10	26-Nov-12	19-May-15
US9034313	Nucleic acid molecules encoding rantes, and compositions comprising and methods of using the same	Inovio Pharmaceuticals, Inc.	8-Feb-10	8-Feb-11	19-May-15
US9029413	Treatment of viral infections by modulation of host cell metabolic pathways	The Trustees of Princeton University	1-Jun-07	3-Apr-12	12-May-15
US9029382	3,5-diamino-6-chloro-N-(N-(4-phenylbutyl)carbamimidoyl)pyrazine-2-carboxamide compounds	Parion Sciences, Inc.	17-Dec-12	13-Dec-13	12-May-15
US9029315	Soluble PD-1 variants, fusion constructs, and uses thereof	The University of Hong Kong	11-Nov-10	11-Nov-11	12-May-15
US9028841	Synergistic bacterial compositions and methods of production and use thereof	Seres Health, Inc.	23-Nov-12	20-Mar-14	12-May-15
US9028837	Methods and compositions for poxvirus A35R protein	East Carolina University	7-Jun-12	20-Dec-12	12-May-15
US9028823	Methods of inducing or enhancing an immune response in a subject by administering agonistic GITR binding antibodies	GITR, Inc.	25-Mar-05	1-Mar-13	12-May-15
US9024001	Alphavirus replicon packaging constructs	Novartis Vaccines and Diagnostics, Inc.	25-May-04	20-May-05	5-May-15
US9023855	Compounds	Chiesi Farmaceutici S.p.A.	14-Sep-11	11-Feb-14	5-May-15
US9023839	Compounds and compositions as c-kit kinase inhibitors	IRM LLC	1-Sep-11	22-Apr-14	5-May-15
US9017699	Adjuvancy and immune potentiating properties of natural products of Onchocerca volvulus	New York Blood Center, Inc.	15-Jun-04	18-Feb-10	28-Apr-15
US9017696	Adenovirus vectors	Isis Innovation Limited	10-Apr-07	10-Apr-08	28-Apr-15
US9012622	Compositions and methods using siRNA molecules and siRNA cocktails for the treatment of breast cancer	Not Available	31-Dec-08	31-Dec-09	21-Apr-15
US9011767	Transportable vacuum assisted decontamination unit and decontamination process	STERIS Inc.	1-Apr-13	31-Mar-14	21-Apr-15
US9006264	Substituted imidazoquinolines, imidazopyridines, and imidazonaphthyridines	3M Innovative Properties Company	18-Jun-04	9-Sep-13	14-Apr-15
US9006194	Compositions and methods for diminishing viral infection and inflammation associated with viral infection	Drexel University	19-Dec-08	17-Dec-09	14-Apr-15
US9005974	Means and methods for influencing the stability of cells	Academish Medisch Centrum Bij de Universiteit van Amsterdam	9-Dec-05	9-Dec-05	14-Apr-15
US9005665	Compositions and methods for treating and preventing porcine reproductive and respiratory syndrome	Ohio State Innovation Foundation	24-Apr-12	24-Apr-13	14-Apr-15
US9005599	Genetically modified human umbilical cord perivascular cells for prophylaxis against or treatment of biological or chemical agents	Tissue Regeneration Therapeutics Inc.	21-Apr-08	20-Apr-09	14-Apr-15
US8999996	Hydrazide containing nuclear transport modulators and uses thereof	Karyopharm Therapeutics Inc.	29-Jul-11	19-Mar-14	7-Apr-15

US8999975	Substituted N- [1-cyano-2- (phenyl) ethyl] -2-azabicyclo [2.2.1] heptane-3-carboxamide inhibitors of cathepsin C	Boehringer Ingelheim International GmbH	19-Sep-11	14-Sep-12	7-Apr-15
US8999678	Method of increasing the function of an AAV vector	The Trustees of the University of Pennsylvania	7-Apr-05	7-Apr-06	7-Apr-15
US8999349	HMGB1-derived peptides enhance immune response to antigens	The Regents of the University of California	27-Jul-10	27-Jul-11	7-Apr-15
US8999316	Antiviral compounds	Long Island University	30-May-07	30-May-08	7-Apr-15
US8993717	Gadd45beta targeting agents	Imperial Innovations Limited	22-Oct-09	22-Oct-10	31-Mar-15
US8993581	Methods for treating viral disorders	Trustees of Boston University	24-Sep-09	11-Jun-13	31-Mar-15
US8993295	Methods, compositions, and kits for the selective activation of protoxins through combinatorial targeting	The General Hospital Corporation	20-Jul-06	20-Jul-07	31-Mar-15
US8992939	Highly efficient influenza matrix (M1) proteins	Novavax, Inc.	11-Jul-03	24-Oct-11	31-Mar-15
US8987249	Substituted 2-Aza-bicyclo[2.2.1]heptane-3-carboxylic acid (benzylcyano-methyl)-amides inhibitors of Cathepsin C	Boehringer Ingelheim International GmbH	14-Mar-13	12-Mar-14	24-Mar-15
US8987191	Bioactive peptides and methods of using same	Compugen Ltd.	12-Jul-07	21-Jun-13	24-Mar-15
US8986933	Selective detection of human rhinovirus	The United States of America as represented by the Secretary of the Department of Health and Human Services, Centers for Disease Control	5-Dec-08	5-Dec-08	24-Mar-15
US8986926	Compositions comprising oriented, immobilized macromolecules and methods for their preparation	NanoString Technologies, Inc.	23-Dec-05	22-Dec-06	24-Mar-15
US8986702	Antibodies and processes for preparing the same	Taiga Biotechnologies, Inc.	16-May-08	18-May-09	24-Mar-15
US8980898	Dendrimer like amino amides possessing sodium channel blocker activity for the treatment of dry eye and other mucosal diseases	Parion Sciences, Inc.	29-May-12	29-May-13	17-Mar-15
US8980338	Sceletium extract and uses thereof	H.L. Hall & Sons Limited	20-Mar-09	16-Mar-10	17-Mar-15
US8980281	High-yield transgenic mammalian expression system for generating virus-like particles	Academia Sinica	5-Sep-06	12-Feb-10	17-Mar-15
US8975389	Nucleic acid chemical modifications	Alnylam Pharmaceuticals, Inc.	2-Mar-09	2-Mar-10	10-Mar-15
US8969362	9-substituted 8-oxoadenine compound	AstraZeneca Aktiebolag	26-Mar-04	21-Oct-13	3-Mar-15
US8969350	Pharmaceutical product comprising a p38 kinase inhibitor and a second active ingredient	Astrazeneca AB	18-Dec-08	17-Dec-09	3-Mar-15
US8962580	Chemical modifications of monomers and oligonucleotides with cycloaddition	Alnylam Pharmaceuticals, Inc.	23-Sep-08	23-Sep-09	24-Feb-15
US8962332	Adeno-associated virus (AAV) serotype 8 sequences, vectors containing same, and uses therefor	The Trustees of the University of Pennsylvania	17-Dec-01	13-Sep-13	24-Feb-15
US8962330	Adeno-associated virus (AAV) serotype 8 sequences, vectors containing same, and uses therefor	The Trustees of the University of Pennsylvania	17-Dec-01	31-Oct-07	24-Feb-15
US8961983	Mucosal vaccine using cationic nanogel	National University Corporation Tokyo Medical and Dental University	31-Oct-08	5-Sep-14	24-Feb-15
US8961477	Delivery of immune response modifier compounds	3M Innovative Properties Company	25-Aug-03	25-Aug-04	24-Feb-15
US8956863	Agents from cells	The Brigham and Women's Hospital, Inc.	15-Oct-09	15-Oct-10	17-Feb-15
US8956616	Constructs binding to phosphatidylserine and their use in disease treatment	Board of Regents, The University of Texas System	24-Jan-05	24-Jan-06	17-Feb-15
US8951768	Mutations in OAS1 genes	Kineta Two, LLC	4-May-05	11-Jul-11	10-Feb-15
US8951528	Immune response modifier conjugates	3M Innovative Properties Company	22-Feb-06	21-Feb-07	10-Feb-15
US8945943	Personal glucose meters for detection and quantification of a broad range of analytes	The Board of Trustees of the University of Illinois	26-May-10	26-May-11	3-Feb-15
US8945904	Influenza virus reassortment	Novartis AG	21-May-10	20-May-11	3-Feb-15

US8945610	Condensation products based on bicyclic or polycyclic aromatics or heteroaromatics	BASF SE	14-Nov-07	11-Nov-08	3-Feb-15
US8940864	Stabilized therapeutic small helical antiviral peptides	New York Blood Center, Inc.	5-Oct-06	2-Oct-07	27-Jan-15
US8940501	Methods for ligation and uses thereof	Whitehead Institute for Biomedical Research	30-Jan-09	1-Feb-10	27-Jan-15
US8937154	Stabilized therapeutic small helical antiviral peptides	New York Blood Center, Inc.	5-Oct-06	2-Feb-12	20-Jan-15
US8933210	Label-free functional nucleic acid sensors for detecting target agents	The Board of Trustees of the University of Illinois	6-Oct-10	6-Oct-11	13-Jan-15
US8933019	Antiviral cell-penetrating peptides	New York Blood Center, Inc.	6-May-08	31-Oct-12	13-Jan-15
US8916552	Pharmaceutical combinations	Astex Therapeutics Limited	12-Oct-06	12-Oct-07	23-Dec-14
US8916340	Method for identifying and validating dominant T helper cell epitopes using an HLA-DM-assisted class II binding assay	The John Hopkins University	6-Jan-06	8-Jan-07	23-Dec-14
US8906872	Antisense antiviral compound and method for treating ssRNA viral infection	Sarepta Therapeutics, Inc.	16-Sep-04	22-Dec-11	9-Dec-14
US8906863	Proteolysis-resistant capsid of chimeric hepatitis E virus as an oral delivery vector	The Regents of the University of California	27-Feb-09	1-Sep-11	9-Dec-14
US8906862	Multiple antigen delivery system using hepatitis E virus-like particle	National Institute of Infectious Disease	27-Feb-09	29-Aug-11	9-Dec-14
US8901071	Compounds and their use	Novabiotics Limited	31-Mar-10	30-Mar-11	2-Dec-14
US8900585	Influenza hemagglutinin-specific monoclonal antibodies for preventing and treating influenza virus infection	New York Blood Center, Inc.	20-Oct-10	20-Oct-11	2-Dec-14
US8895629	Circulation of components during homogenization of emulsions	Novartis AG	3-Dec-09	3-Dec-10	25-Nov-14
US8895577	Compounds and compositions as TLR activity modulators	Not Available	3-Mar-08	22-Apr-13	25-Nov-14
US8895570	Purine derivatives	AstraZeneca AB	17-Dec-10	14-Dec-11	25-Nov-14
US8895534	Boron containing small molecules	Anacor Pharmaceuticals, Inc.	20-Jun-07	30-Jul-10	25-Nov-14
US8895295	High density self-contained biological analysis	Biofire Diagnostics, LLC	15-Nov-06	14-Nov-07	25-Nov-14
US8889708	Substituted bicyclic 1-carboxylic-acid (benzyl-cyano-methyl)-amides inhibitors of cathepsin C	Boehringer Ingelheim International GmbH	14-Mar-13	12-Mar-14	18-Nov-14
US8889692	Pyrazinone derivatives, pharmaceutically acceptance salts thereof and their uses	AstraZeneca AB	27-Jun-07	14-Sep-12	18-Nov-14
US8889656	Boron-containing small molecules	Anacor Pharmaceuticals, Inc.	16-Feb-05	30-Apr-13	18-Nov-14
US8889398	Composition for inactivating an enveloped virus	Viroblock SA	19-May-06	18-May-07	18-Nov-14
US8889181	Immunostimulatory compositions comprising liposome-encapsulated oligonucleotides and epitopes	Industry Academic Cooperation Foundation, Hallym University	17-Jul-09	16-Jun-10	18-Nov-14
US8889118	Anticancer agent containing dendritic cell having RNA virus transferred thereinto	DNA VEC Research Inc.	24-Jun-04	28-Apr-05	18-Nov-14
US8889117	Modular nanoparticles for adaptable vaccines	Yale University	15-Feb-07	15-Feb-08	18-Nov-14
US8884020	Indole compounds	Ironwood Pharmaceuticals, Inc.	7-Aug-06	7-Aug-07	11-Nov-14
US8883790	Pharmaceutical combinations	Astex Therapeutics Limited	12-Oct-06	12-Oct-07	11-Nov-14
US8883500	Method of preparing adenosine-resistant anti-tumor T lymphocytes for adoptive immunotherapy	Northeastern University	5-Dec-08	7-Dec-09	11-Nov-14
US8883481	Reverse genetics methods for virus rescue	Novartis AG	20-Oct-09	20-Oct-10	11-Nov-14
US8883477	Oligoadenylate synthetase (OAS)	Kineta Two, LLC	23-Nov-05	14-Jun-13	11-Nov-14



US8882484	Methods and compositions for production of recombinant protein in HBX-expressing mammalian cells	Bayer HealthCare LLC	28-May-08	27-May-09	11-Nov-14
US8881040	System and method for detecting, collecting, analyzing, and communicating event-related information	Georgetown University	28-Aug-08	2-Dec-09	4-Nov-14
US8877775	Substituted 2-aza-bicyclo[2.2.2]octane-3-carboxylic acid (benzyl-cyano-methyl)-amides inhibitors of cathepsin C	Boehringer Ingelheim International GmbH	14-Mar-13	12-Mar-14	4-Nov-14
US8877187	Therapeutic antibodies for treatment and prophylaxis of transmittable viral diseases	Avianax, LLC	25-Jul-05	23-Nov-10	4-Nov-14
US8877060	Methods for removing pathogens from a platelet preparation	Biovec Transfusion, LLC	23-Nov-10	31-Oct-11	4-Nov-14
US8871816	Methods for producing vaccine adjuvants	Novartis AG	3-Dec-09	3-Dec-10	28-Oct-14
US8871790	Heterocyclic modulators of lipid synthesis	3-V Biosciences, Inc.	8-Mar-11	8-Mar-12	28-Oct-14
US8871783	Substituted 2-aza-bicyclo[2.2.1]heptane-3-carboxylic acid (cyano-methyl)-amides inhibitors of cathepsin C	Boehringer Ingelheim International GmbH	14-Mar-13	12-Mar-14	28-Oct-14
US8871782	Alkoxy substituted imidazoquinolines	3M Innovative Properties Company	3-Oct-03	1-Oct-04	28-Oct-14
US8871503	Construct	Isis Innovation Limited	28-Mar-06	28-Mar-07	28-Oct-14
US8871487	Compositions, methods and uses for inducing viral growth	Takeda Vaccines, Inc.	5-Dec-08	4-Dec-09	28-Oct-14
US8871442	Enhanced deposition of chromogens	Ventana Medical Systems, Inc.	30-Dec-10	28-Dec-11	28-Oct-14
US8865865	N-terminally modified tetrapeptide derivatives having a C-terminal arginine mimetic	Philipps-Universitat Marburg	29-Oct-08	29-Oct-09	21-Oct-14
US8865166	Antibodies to IL-17A and uses thereof	MedImmune Limited	23-Jun-06	22-Jun-07	21-Oct-14
US8859568	Pyrrolo[3,2-D]pyrimidin-4-one derivatives and their use in therapy	Astrazeneca AB	6-Dec-04	3-Nov-10	14-Oct-14
US8859251	Oligoadenylate synthetase (OAS)	Kineta Two, LLC	23-Nov-05	1-Jul-13	14-Oct-14
US8858958	Adjuvant comprising aluminum, oligonucleotide and polycation	Novartis AG	27-Aug-09	27-Aug-10	14-Oct-14
US8858957	GAS57 mutant antigens and GAS57 antibodies	Novartis AG	12-Sep-07	14-Mar-13	14-Oct-14
US8854617	Compounds and markers for surface-enhanced Raman scattering	Julius-Maximilians-Universitat Wurzburg	24-Sep-07	24-Sep-08	7-Oct-14
US8853382	Expression of antibody or a fragment thereof in lactobacillus	Hera Pharmaceuticals, Inc.	5-Aug-10	4-Aug-11	7-Oct-14
US8846710	Method of preferentially inducing the biosynthesis of interferon	3M Innovative Properties Company	23-Feb-05	22-Feb-06	30-Sep-14
US8846697	Purine analogs	The Regents of the University of California	31-May-06	23-Apr-07	30-Sep-14
US8846643	Phosphonates with reduced toxicity for treatment of viral infections	The Regents of the University of California	14-Apr-10	11-Oct-12	30-Sep-14
US8846051	Modulation of replicative fitness by deoptimization of synonymous codons	The United States of America as represented by the Secretary of the Department of Health and Human Services, Centers for Disease Control and Prevention	8-Oct-04	7-Oct-05	30-Sep-14
US8841100	Use of methylsulfonylmethane (MSM) to modulate microbial activity	Biogenic Innovations, LLC	30-Oct-09	16-Feb-11	23-Sep-14
US8840899	Use of mTOR inhibitors to enhance T cell immune responses	Emory University	5-Aug-08	5-Aug-09	23-Sep-14
US8840890	Rapid expression cloning of human monoclonal antibodies from memory B cells	University of Maryland, Baltimore	12-Nov-08	12-Nov-09	23-Sep-14
US8840873	Method of treating second and third degree burns using oxidative reductive potential water solution	Oculus Innovative Sciences, Inc.	23-Mar-05	23-Mar-06	23-Sep-14
US8840774	Electrochemistry and electrogenerated chemiluminescence with a single faradaic electrode	Board of Regents of the University of Texas System	3-Jun-05	28-Oct-13	23-Sep-14
US8835107	Coronavirus, nucleic acid, protein, and methods for the generation of vaccine, medicaments and diagnostics	Amsterdam Institute of Viral Genomics B.V.	18-Aug-03	26-Jul-10	16-Sep-14



US8834445	Methods of treating or preventing peritonitis with oxidative reductive potential water solution	Oculus Innovative Sciences, Inc.	20-Jan-06	30-Mar-12	16-Sep-14
US8828962	SiRNA compositions and methods for potently inhibiting viral infection	Xiangxue Group (Hong Kong) Company Limited	11-Dec-08	12-Dec-11	9-Sep-14
US8828956	Carbohydrate conjugates as delivery agents for oligonucleotides	Alnylam Pharmaceuticals, Inc.	4-Dec-07	4-Dec-12	9-Sep-14
US8828940	Method of treating an ischemia-reperfusion injury-related disorder by administering GPCR ligands	Compugen Ltd.	18-Sep-06	14-Dec-10	9-Sep-14
US8828929	Cytotoxic T cell epitope peptide for SARS coronavirus, and use thereof	Japan as Represented by Director-General of National Institute of Infectious Diseases	28-Nov-08	27-Nov-09	9-Sep-14
US8828673	Mixed cell diagnostic systems for detection of respiratory, herpes and enteric viruses	Diagnostic Hybrids Inc	24-Apr-98	1-Mar-12	9-Sep-14
US8828659	Method for producing nucleic acid probes	Ventana Medical Systems, Inc.	1-Sep-06	11-Mar-13	9-Sep-14
US8828407	Chimaeric protein	The Pirbright Institute	7-Jul-09	5-Jul-10	9-Sep-14
US8828406	Influenza viruses and uses thereof	Icahn School of Medicine at Mount Sinai	30-Jul-09	29-Jul-10	9-Sep-14
US8822512	Crystalline tripeptide epoxy ketone protease inhibitors	Onyx Therapeutics, Inc.	20-Mar-09	20-Sep-11	2-Sep-14
US8822409	Compositions and uses thereof for the treatment of acute respiratory distress syndrome (ARDS) and clinical disorders associated with therewith	Phylogica Limited	20-Jun-07	20-Jun-08	2-Sep-14
US8821897	Viral adjuvants	The University of North Carolina at Chapel Hill	9-Jul-04	24-Nov-10	2-Sep-14
US8816089	Methods for controlling SR protein phosphorylation, and antiviral agents whose active ingredients comprise agents that control SR protein activity	Masatoshi Hagiwara	26-Dec-03	19-Nov-12	26-Aug-14
US8816053	Methods for treating viral infection using IL-28 and IL-29 cysteine mutants	ZymoGenetics, Inc.	2-Apr-04	7-Sep-12	26-Aug-14
US8815837	Respiratory disease treatment	Pulmagen Therapeutics (Inflammation) Limited	7-Aug-08	29-Jun-12	26-Aug-14
US8815831	Treatment of Acinetobacter with alginate oligomers and antibiotics	AlgiPharma AS	3-Jun-09	3-Jun-10	26-Aug-14
US8815611	Surface for label independent detection and method thereof	Corning Incorporated	10-Apr-08	3-Apr-09	26-Aug-14
US8815249	Ii-key/antigenic epitope hybrid peptide vaccines	Antigen Express, Inc.	4-Sep-99	26-Jul-10	26-Aug-14
US8815244	Method for production of antibody using ostrich	Japan Science and Technology Agency	29-Aug-05	16-Aug-11	26-Aug-14
US8809377	Deubiquitinase inhibitors and methods for use of the same	The Regents of the University of Michigan	24-Sep-10	23-Sep-11	19-Aug-14
US8808703	Compounds (cystein based lipopeptides) and compositions as TLR2 agonists used for treating infections, inflammations, respiratory diseases etc	Not Available	23-Mar-10	23-Mar-11	19-Aug-14
US8808686	Adjuvant-sparing multi-dose influenza vaccination regimen	Novartis AG	15-Jun-06	19-Sep-11	19-Aug-14
US8802853	Arylalkenyl and arylalkynyl substituted imidazoquinolines	3M Innovative Properties Company	29-Dec-03	17-Dec-04	12-Aug-14
US8802647	Materials and methods for prevention and treatment of RNA viral diseases	University of South Florida	30-Apr-02	17-Sep-12	12-Aug-14
US8802106	Peptide compositions and methods for inhibiting herpesvirus infection	The Administrators of the Tulane Educational Fund	30-Oct-09	29-Oct-10	12-Aug-14
US8796423	Anti-TSG101 antibodies and their uses for treatment of viral infections	Eli Lilly and Company	15-Nov-06	18-Apr-08	5-Aug-14
US8790655	Conjugates of synthetic TLR agonists and uses therefor	The Regents of The University of California	7-Feb-07	8-Jan-13	29-Jul-14
US8785408	Compositions and methods for reducing or protecting against delayed graft function (DGF)	Quark Pharmaceuticals, Inc.	27-Jun-07	26-Jun-08	22-Jul-14
US8785375	Cyclic antimicrobial peptides for treating bacterial infections	Novabiotics Ltd.	22-Dec-05	22-Aug-12	22-Jul-14

US8784900	Antimicrobial solutions containing dichlorine monoxide and methods of making and using the same	Oculus Innovative Sciences, Inc.	13-Mar-07	13-Mar-08	22-Jul-14
US8779132	Pharmaceutical compounds	Astex Therapeutics Limited	12-Oct-06	12-Oct-07	15-Jul-14
US8778963	Hydroxylamine and oxime substituted imidazoquinolines, imidazopyridines, and imidazonaphthyridines	3M Innovative Properties Company	25-Nov-03	24-Nov-04	15-Jul-14
US8778846	Composition, device and associated method	General Electric Company	4-Dec-06	1-Mar-07	15-Jul-14
US8778845	Composition, device and associated method	Genral Electric Company	15-Dec-05	1-Mar-07	15-Jul-14
US8778358	Immunogenic compositions for gram positive bacteria such as Streptococcus agalactiae	Novartis Vaccines and Diagnostics, Inc.	29-Jul-04	18-Oct-10	15-Jul-14
US8778275	Methods for producing vaccine adjuvants	Novartis AG	3-Dec-09	3-Dec-10	15-Jul-14
US8772471	Targeted delivery of siRNA	Immune Disease Institute	26-Jan-07	25-Jan-08	8-Jul-14
US8765939	Pyrimidine derivatives having immune modulating properties that act via TLR7 for the treatment of viral or allergic diseases and cancers	AstraZeneca AB	22-Nov-07	16-Aug-12	1-Jul-14
US8765704	Modified small interfering RNA molecules and methods of use	Novartis AG	28-Feb-08	14-Dec-11	1-Jul-14
US8765643	Composition, device and associated method	General Electric Company	4-Dec-06	1-Mar-07	1-Jul-14
US8765146	Adenoviral vector-based malaria vaccines	GenVec, Inc.	31-Aug-05	31-Aug-06	1-Jul-14
US8765138	Antiviral and antibacterial activity from medicinal mushrooms	Not Available	6-Jan-04	24-Sep-08	1-Jul-14
US8765133	Method of producing anti-CD166 antibody in ostrich	Japan Science and Technology Agency	29-Aug-05	16-Aug-11	1-Jul-14
US8759307	Oligonucleotide compound and method for treating nidovirus infections	Sarepta Therapeutics, Inc.	24-Dec-03	25-Apr-08	24-Jun-14
US8758763	Archaeal polar lipid aggregates for administration to animals	National Research Council of Canada	15-Dec-06	23-Jan-13	24-Jun-14
US8758680	Method and device for cleaning air	Not Available	29-Sep-10	27-Sep-11	24-Jun-14
US8754071	Compounds and compositions as c-kit kinase inhibitors	Not Available	1-Sep-11	19-Sep-13	17-Jun-14
US8754015	Modified phage for displaying post-translationally modified proteins and uses thereof	University of Rochester	21-Nov-06	20-Nov-07	17-Jun-14
US8748567	Method for delivery across the blood brain barrier	Children's Medical Center Corporation	22-May-06	22-May-07	10-Jun-14
US8748464	Use of SIRT1 activators or inhibitors to modulate an immune response	The J. David Gladstone Institutes	7-Feb-08	16-Jul-10	10-Jun-14
US8748405	Methods and compositions for the treatment of cancer or other diseases	City of Hope	26-Jan-07	9-Sep-11	10-Jun-14
US8748156	Animal protein-free media for cultivation of cells	Baxter Healthcare SA	29-Oct-04	16-Apr-13	10-Jun-14
US8741813	Composition, device and associated method	General Electric Company	15-Dec-05	28-Feb-07	3-Jun-14
US8741653	Single recombination system and methods of use	Emergent Product Development GmbH	22-Dec-08	16-Dec-09	3-Jun-14
US8741604	Nucleic acid molecule encoding a specific IL-1R1 antibody	Medimmune Limited	7-Nov-08	14-Sep-12	3-Jun-14
US8741564	Quantitative nuclease protection assay (QNPA) and sequencing (QNPS) improvements	HTG Molecular Diagnostics, Inc.	4-May-11	26-Apr-12	3-Jun-14
US8741311	Methods and compositions for immunization against virus	Academia Sinica	27-Mar-09	26-Mar-10	3-Jun-14
US8735567	Multi-targeted RNAi therapeutics for scarless wound healing of skin	Not Available	6-Nov-07	6-Nov-08	27-May-14
US8735559	Mutant protease biosensors with enhanced detection characteristics	Promega Corporation	11-May-10	11-May-11	27-May-14

US8735421	Imidazoquinolinyl sulfonamides	3M Innovative Properties Company	30-Dec-03	23-Dec-04	27-May-14
US8735410	Quinazoline derivatives as tyrosine kinase inhibitors	AstraZeneca AB	26-Feb-05	24-Feb-06	27-May-14
US8735348	Casein derived peptides and uses thereof	Peptera Ltd.	1-Mar-00	5-Sep-12	27-May-14
US8734823	Device including altered microorganisms, and methods and systems of use	The Invention Science Fund I, LLC	14-Dec-05	28-May-10	27-May-14
US8728793	Amphipathic alpha-helical peptide compositions as antiviral agents	The Board of Trustees of the Leland Stanford Junior University	19-Jul-07	14-Jul-08	20-May-14
US8722917	Boron-containing small molecules	Anacor Pharmaceuticals, Inc.	16-Feb-05	23-Jan-12	13-May-14
US8722741	Biphenyloxyacetic acid derivatives for the treatment of respiratory disease	AstraZeneca AB	24-Aug-04	6-Dec-11	13-May-14
US8722725	Caffeoylquinic acid derivatives containing nitrogen, and preparation method, pharmaceutical composition and usage thereof	Zhejiang Medicine Co., Ltd. Xinchang Pharmaceutical Factory	23-Mar-07	21-Mar-08	13-May-14
US8718948	Systems and methods for distinguishing optical signals of different modulation frequencies in an optical signal detector	Gen-Probe Incorporated	24-Feb-11	24-Feb-12	6-May-14
US8716464	Compositions and methods for silencing Ebola virus gene expression	Not Available	20-Jul-09	20-Jul-10	6-May-14
US8716461	Human parvovirus	Blood Systems, Inc.	24-May-04	24-May-05	6-May-14
US8710224	Heterocyclic compounds as CCR2B antagonists	AstraZeneca AB	24-Dec-04	13-Sep-13	29-Apr-14
US8709730	Methods of preventing and treating viral infections by inhibiting the deISGylation activity of OTU domain-containing viral proteins	Icahn School of Medicine at Mount Sinai	5-Apr-07	7-Apr-08	29-Apr-14
US8709496	Use of deuterium oxide for the treatment of virus-based diseases of the respiratory tract	D2 Bioscience Group Ltd.	6-Jan-10	23-May-12	29-Apr-14
US8709447	Compositions and methods for activating innate and allergic immunity	ID Biomedical Corporation of Quebec	22-Oct-03	26-Apr-12	29-Apr-14
US8709441	TC-83-derived alphavirus vectors, particles and methods	Alphavax, Inc.	18-May-04	6-Jul-10	29-Apr-14
US8704169	Direct impact ionization (DII) mass spectrometry	The United States of America, as represented by the Secretary, Department of Health and Human Services	11-Oct-11	11-Oct-11	22-Apr-14
US8703748	Cleaning composition for treating tissue for transplantation derived from human/animal	CG BIO Co., Ltd.	11-Feb-09	10-Feb-10	22-Apr-14
US8703467	Inactivation of a pathogen in a sample by a treatment with formalin and UV light	Baxter Healthcare SA	27-May-04	26-May-05	22-Apr-14
US8702958	Electrochemistry and electrogenerated chemiluminescence with a single faradaic electrode	Board of Regents of the University of Texas System	3-Jun-05	31-May-12	22-Apr-14
US8697873	Amide substituted imidazopyridines, imidazoquinolines, and imidazonaphthyridines	3M Innovative Properties Company	24-Mar-04	24-Mar-05	15-Apr-14
US8697853	TAL effector-mediated DNA modification	Iowa State University Research Foundation, Inc.	10-Dec-09	10-Jan-13	15-Apr-14
US8697659	Analogues of glycolipids useful as immunoadjuvants	Luigi Panza	12-Oct-07	10-Oct-08	15-Apr-14
US8697140	Virucidal disinfectant	B. Braun Medical AG	28-Jan-05	28-May-09	15-Apr-14
US8697088	VLPs derived from cells that do not express a viral matrix or core protein	Novavax, Inc.	25-May-07	27-May-08	15-Apr-14
US8697087	Influenza vaccines including combinations of particulate adjuvants and immunopotentiators	Novartis AG	4-Nov-05	6-Nov-06	15-Apr-14
US8691837	Substituted imidazo ring systems and methods	3M Innovative Properties Company	25-Nov-03	24-Nov-04	8-Apr-14
US8691826	Compounds	Chiesi Farmaceutici S.p.A.	14-Sep-11	13-Sep-12	8-Apr-14
US8691781	Compositions for treating respiratory viral infections and their use	Sirnaomics, Inc.	5-Nov-04	4-Nov-05	8-Apr-14

US8691777	Combination therapy	Emory University	27-Jan-11	25-Jan-12	8-Apr-14
US8686152	4,4-disubstituted piperidine derivatives useful as inhibitors of dipeptidyl peptidase-1 (DPP-1)	Janssen Pharmaceutica NV	10-Mar-10	9-Mar-11	1-Apr-14
US8682619	Device including altered microorganisms, and methods and systems of use	The Invention Science Fund I, LLC	14-Dec-05	28-May-10	25-Mar-14
US8679839	Cell line from rousettus as host cell for pathogen amplification	Probiogen AG	4-Mar-08	4-Mar-09	25-Mar-14
US8678184	Methods for producing vaccine adjuvants	Novartis AG	3-Dec-09	3-Dec-10	25-Mar-14
US8678002	Devices and methods for decreasing human pathogen transmission	Filligent Limited	26-Jun-07	25-Jun-08	25-Mar-14
US8673983	Melanins synthesized chemically or via enzyme catalysis	Loyola University Chicago	21-Dec-07	22-Dec-08	18-Mar-14
US8673932	Oxime substituted imidazo-containing compounds	3M Innovative Properties Company	12-Aug-03	12-Aug-04	18-Mar-14
US8673907	Pharmaceutically acceptable salts of methyl (3-{ [[3-(6-amino- 2-butoxy-8-oxo-7,8-dihydro-9H-purin-9-yl) propyl] (3-morpholin-4-ylpropyl) amino] methyl }phenyl) acetate and their use in therapy	AstraZeneca AB	17-Dec-07	16-Dec-08	18-Mar-14
US8673904	Epoxide inhibitors of cysteine proteases	The Board of Trustees of the Leland Stanford Junior University	13-Jun-06	13-Jun-07	18-Mar-14
US8673558	Luciferase biosensor	Promega Corporation	10-Oct-03	24-Apr-12	18-Mar-14
US8673331	Composition with sterilizing activity against bacteria, fungus and viruses, application thereof and method for preparation thereof	GP&E	18-Nov-11	18-Nov-11	18-Mar-14
US8669263	Use of TAM receptor inhibitors as antimicrobials	Salk Institute for Biological Studies	9-Nov-07	8-Mar-13	11-Mar-14
US8669262	3,5-diamino-6-chloro-N-(N-(4-(4-(2-(hexyl(2,3,4,5,6-pentahydroxyhexyl)amino)ethoxy)phenyl)butyl)carbamide)pyrazine-2-carboxamide	Parion Sciences, Inc.	27-Jun-11	26-Jun-12	11-Mar-14
US8669240	Biological specimen collection and transport system and method of use	Longhorn Vaccines & Diagnostics, LLC	1-Oct-07	19-Mar-13	11-Mar-14
US8664274	Sulfonyl semicarbazides, semicarbazides and ureas, pharmaceutical compositions thereof, and methods for treating hemorrhagic fever viruses, including infections associated with arena viruses	Siga Technologies, Inc.	6-Dec-04	6-Jul-11	4-Mar-14
US8664218	Pharmaceutical compounds	Astex Therapeutics Ltd.	11-Apr-08	30-Jan-13	4-Mar-14
US8664188	siRNA compositions and methods for potently inhibiting viral infection	Xiangxue Group (Hong Kong) Company Limited	11-Dec-08	11-Dec-09	4-Mar-14
US8663922	Systems and methods for detecting multiple optical signals	Gen-Probe Incorporated	10-Mar-05	1-Jun-10	4-Mar-14
US8658767	Lipidated polypeptide vaccines	National Health Research Institutes	15-Nov-10	15-Nov-11	25-Feb-14
US8658697	Sulfonyl semicarbazides, semicarbazides and ureas, pharmaceutical compositions thereof, and methods for treating hemorrhagic fever viruses, including infections associated with arenaviruses	Siga Technologies, Inc.	6-Dec-04	26-Oct-10	25-Feb-14
US8658666	Substituted imidazoquinolines and imidazonaphthyridines	3M Innovative Properties Company	11-Feb-05	10-Feb-06	25-Feb-14
US8658178	Carbon nanotube compositions and methods of use thereof	Yale University	19-Mar-08	19-Mar-09	25-Feb-14
US8653252	Short interfering RNA (siRNA) analogues	Santaris Pharma A/S	21-Mar-03	22-Mar-04	18-Feb-14
US8653084	Hydrobenzamide derivatives as inhibitors of Hsp90	Astex Therapeutics Ltd.	12-Oct-06	12-Oct-07	18-Feb-14
US8653034	Compositions and methods comprising phosphatidylethanolamine-binding peptide derivatives	Board of Regents, The University of Texas System	15-Jul-02	8-May-08	18-Feb-14
US8652836	Defective ribosomal products in blebs (DRibbles) and methods of use to stimulate an immune response	Providence Health System	29-Jul-05	27-Jul-06	18-Feb-14

US8652782	Compositions and methods for detecting, identifying and quantitating mycobacterial-specific nucleic acids	Longhorn Vaccines & Diagnostics, LLC	12-Sep-06	26-Apr-11	18-Feb-14
US8652533	Durable biocides and disinfectants	Mitsui Norin Co., Ltd.	7-Jul-04	5-Jul-05	18-Feb-14
US8648076	Cysteine protease inhibitors and their therapeutic applications	Hybrigenics SA	5-Aug-05	26-Jul-06	11-Feb-14
US8647676	Antimicrobial composition from copepods	Nofima Ingrediens	28-Oct-08	28-Oct-09	11-Feb-14
US8642596	Sulfonyl semicarbazides, semicarbazides and ureas, pharmaceutical compositions thereof, and methods for treating hemorrhagic fever viruses, including infections associated with arena viruses	Siga Technologies, Inc.	6-Dec-04	6-Dec-05	4-Feb-14
US8642260	Single quantum-dot based aptameric nanosensors	The Research Foundation of the City University of New York	21-Oct-08	21-Oct-09	4-Feb-14
US8633322	Alkynyl derivatives useful as DPP-1 inhibitors	Janssen Pharmaceutica NV	29-Oct-09	28-Oct-10	21-Jan-14
US8633308	Compounds for preventing or treating viral infections and methods of use thereof	The Governors of The University of Alberta	28-Feb-07	27-Feb-08	21-Jan-14
US8632764	Directed evolution and in vivo panning of virus vectors	University of North Carolina at Chapel Hill	30-Apr-08	29-Apr-09	21-Jan-14
US8629283	Compounds that modulate negative-sense, single-stranded RNA virus replication and uses thereof	Icahn School of Medicine at Mount Sinai	6-Mar-08	6-Mar-09	14-Jan-14
US8629271	Compounds	AstraZeneca AB	6-Feb-08	2-Apr-12	14-Jan-14
US8629098	Compositions and methods for adoptive and active immunotherapy	Yale University	15-Jan-08	14-Jan-09	14-Jan-14
US8628786	Polychlorinated biphenyls and squalene-containing adjuvants	Novartis AG	28-Dec-07	2-Dec-11	14-Jan-14
US8624011	Vaccines and immunotherapeutics comprising IL-15 receptor alpha and/or nucleic acid molecules encoding the same, and methods for using the same	The Trustees of the University of Pennsylvania	14-Sep-09	14-Sep-10	7-Jan-14
US8623419	Technology for preparation of macromolecular microspheres	Ansun Biopharma, Inc.	24-Jan-06	4-Nov-11	7-Jan-14
US8623382	Immunogenic compositions for inducing an immune response to HIV	Wyeth LLC	17-Jun-04	18-Jan-11	7-Jan-14
US8623364	Antigenic GM-CSF peptides and antibodies to GM-CSF	Morphotek, Inc.	8-Feb-06	24-Oct-12	7-Jan-14
US8617838	Fluorescent proteins and related methods and compounds	University of Massachusetts	20-Sep-04	20-Sep-05	31-Dec-13
US8615368	Method for determining the amount of an analyte in a sample	Gen-Probe Incorporated	10-Mar-05	10-Mar-06	24-Dec-13
US8609370	Highly active glycoproteins-process conditions and an efficient method for their production	Glycotope GmbH	13-Feb-04	14-Feb-05	17-Dec-13
US8609101	Granulocyte-macrophage colony-stimulating factor (GM-CSF) neutralizing antibodies	Theraclone Sciences, Inc.	23-Apr-09	23-Apr-10	17-Dec-13
US8604215	Crystalline tripeptide epoxy ketone protease inhibitors	Onyx Therapeutics, Inc.	20-Mar-09	22-Mar-10	10-Dec-13
US8603469	Methods of treating cancer with human monoclonal antibodies against interleukin 8	Genmab A/S	16-Dec-02	27-Dec-11	10-Dec-13
US8599383	Optical cytometry	The Regents of the University of California	6-May-09	6-May-09	3-Dec-13
US8598192	Hydroxylamine substituted imidazoquinolines	3M Innovative Properties Company	14-Nov-03	12-Nov-04	3-Dec-13
US8598134	RNAi modulation of RSV, PIV and other respiratory viruses and uses thereof	South Alabama Medical Science Foundation	22-Oct-04	23-Jul-10	3-Dec-13
US8598116	Treatment of influenza virus infection	Educational Fund and Autoimmune Technologies, LLC	4-Nov-03	29-May-12	3-Dec-13
US8598106	Anti-microbial composition exhibiting residual anti-microbial properties on a surface	Byotrol PLC	17-Sep-07	5-Jul-11	3-Dec-13
US8597650	Methods for treating rheumatoid arthritis with anti-bile salt-stimulated lipase (BSSL) antibodies	HERNELL OLLE	8-Apr-09	6-Apr-10	3-Dec-13

US8592567	Vaccines and immunotherapeutics using codon-optimized IL-15 and methods for using the same	The Trustees of the University of Pennsylvania	13-Jan-06	3-May-12	26-Nov-13
US8592391	Method for therapeutic, clinical and veterinary use poly-ICLC	SALAZAR ANDRES	1-Jul-03	17-Oct-08	26-Nov-13
US8586770	Unsaturated steroid compounds	Harbor Therapeutics, Inc.	29-Sep-04	18-Feb-11	19-Nov-13
US8586364	Cells and methodology to generate non-segmented negative-strand RNA viruses	Institut Pasteur	22-Dec-06	21-Dec-07	19-Nov-13
US8586363	TAL effector-mediated DNA modification	Iowa State University Research Foundation, Inc.	10-Dec-09	10-Dec-10	19-Nov-13
US8581584	Membrane proteins, mechanisms of action and uses thereof	Florida State University Research Foundation	26-May-10	26-May-11	12-Nov-13
US8580927	Engineered antibody constant domain molecules	The United States of America, as represented by the Secretary, Department of Health and Human Services	31-Jan-08	30-Jan-09	12-Nov-13
US8580268	CpG oligonucleotide analogs containing hydrophobic T analogs with enhanced immunostimulatory activity	Coley Pharmaceutical GmbH	27-Sep-06	27-Sep-07	12-Nov-13
US8569283	Compounds and compositions as c-Kit kinase inhibitors	LIU XIAODONG	1-Sep-11	29-Aug-12	29-Oct-13
US8562996	RSV-specific binding molecules and means for producing them	MedImmune Limited	1-Jun-07	30-May-08	22-Oct-13
US8562943	Quality control methods for oil-in-water emulsions containing squalene	Novartis AG	8-Nov-06	6-Nov-07	22-Oct-13
US8560339	System and method to predict the global spread of infectious agents via commercial air travel	Kamran Khan	2-Apr-07	2-Apr-08	15-Oct-13
US8557767	Synthetic apolipoprotein E mimicking polypeptides and methods of use	UAB Research Foundation	28-Aug-07	27-Aug-08	15-Oct-13
US8557248	Methods and compositions for treating malaria	Cyvax, Inc.	9-Aug-10	9-Aug-11	15-Oct-13
US8552051	Use of pharmaceutical compositions containing mesembrenone	H. L. Hall & Sons Limited	20-Mar-09	16-Mar-10	8-Oct-13
US8552032	Bicyclic derivatives useful as inhibitors of DPP-1	Janssen Pharmaceutica NV	18-Dec-09	16-Dec-10	8-Oct-13
US8551968	Methods for generation of antibodies	National Jewish Health	13-Mar-07	13-Mar-08	8-Oct-13
US8551756	Avian influenza chimeric VLPS	Novavax, Inc.	11-Jul-03	19-Jan-10	8-Oct-13
US8551750	Device including bone cage and method for treatment of disease in a subject	The Invention Science Fund I, LLC	23-Apr-09	28-Jul-09	8-Oct-13
US8551749	Device including bone cage and method for treatment of disease in a subject	The Invention Science Fund I, LLC	23-Apr-09	23-Apr-09	8-Oct-13
US8551738	Systems and methods for rapid identification of nucleic acid variants	Ibis Biosciences, Inc.	21-Jul-05	11-Nov-09	8-Oct-13
US8551469	Treatment of tumors and viral diseases with recombinant interferon alpha	Superlab Far East Limited	28-Feb-01	6-Oct-08	8-Oct-13
US8546432	Tetrazolones as inhibitors of fatty acid synthase	Infinity Pharmaceuticals, Inc.	5-May-10	5-May-11	1-Oct-13
US8546383	Chiral fused [1,2]imidazo[4,5-c] ring compounds	3M Innovative Properties Company	30-Dec-04	25-May-12	1-Oct-13
US8546082	Methods for identification of sepsis-causing bacteria	Ibis Biosciences, Inc.	11-Sep-03	25-May-07	1-Oct-13
US8541568	Compositions and methods using siRNA molecules for treatment of gliomas	BIGNER DARELL D	24-May-08	26-May-09	24-Sep-13
US8541457	Aminothiazole derivatives as human stearyl-CoA desaturase inhibitors	Xenon Pharmaceuticals Inc.	3-Jun-05	5-Jun-06	24-Sep-13
US8541438	Substituted imidazoquinolines, imidazopyridines, and imidazonaphthyridines	3M Innovative Properties Company	18-Jun-04	21-Dec-10	24-Sep-13
US8541221	Primate T-lymphotropic viruses	Johns Hopkins University	21-Feb-05	1-Jul-10	24-Sep-13
US8541003	Vectors expressing SARS immunogens, compositions containing such vectors or expression products thereof, methods and assays for making and using	Protein Sciences Corporation	20-Jun-03	21-Jun-04	24-Sep-13

US8529968	Decontaminating composition having simultaneously bactericidal, fungicidal and virocidal properties, methods for obtaining and using said composition	Hightech Bio-Activities Holding GmbH	29-Mar-04	29-Mar-05	10-Sep-13
US8524715	Phenoxyacetic acid derivatives useful for treating respiratory diseases	Astrazeneca AB	23-Nov-04	22-Nov-05	3-Sep-13
US8524488	Methods and devices for determining a cell characteristic, and applications employing the same	The Regents of the University of California	10-Sep-02	9-Mar-05	3-Sep-13
US8524241	Fusion proteins comprising a fragment of Vibrio cholerae exotoxin A	The General Hospital Corporation	20-Jul-07	18-Jul-08	3-Sep-13
US8519106	Monoclonal human tumor-specific antibody	University of Zurich	13-Mar-07	13-Mar-08	27-Aug-13
US8507545	Cytotoxic T cell activator comprising EP4 agonist	National University Corporation, Hamamatsu University School of Medicine	8-May-07	7-May-08	13-Aug-13
US8507544	Bi-aryl amide compounds as CRTh2 receptor modulators	Astrazeneca AB	5-Jul-07	3-Jul-08	13-Aug-13
US8507455	Folate conjugates	Alnylam Pharmaceuticals, Inc.	4-Dec-07	4-Dec-08	13-Aug-13
US8506968	SARS vaccine compositions and methods of making and using them	Eli Lilly and Company	29-Jun-00	28-Dec-09	13-Aug-13
US8506966	Adjuvanted influenza vaccines for pediatric use	Novartis AG	22-Feb-08	20-Feb-09	13-Aug-13
US8501746	Organic compounds	Novartis AG	5-Jun-06	4-Jun-07	6-Aug-13
US8501699	Bicyclic nucleosides and nucleotides as therapeutic agents	Biota Scientific Management Pty Ltd	3-Jul-08	7-Sep-12	6-Aug-13
US8501461	System for performing multi-formatted assays	Gen-Probe Incorporated	10-Mar-05	3-Dec-09	6-Aug-13
US8497405	Process for dispersing vaporous hydrogen peroxide	STERIS Inc.	6-Mar-07	28-Feb-13	30-Jul-13
US8497112	Method for producing viral vaccines	Baxter Healthcare SA	28-Aug-07	28-Aug-08	30-Jul-13
US8494781	Systems and methods for identifying replikin scaffolds and uses of said replikin scaffolds	BOGOCH ELENORE S	6-Jun-03	10-Dec-10	23-Jul-13
US8492329	Bioactive peptides and methods of using same	Compugen Ltd.	12-Jul-07	11-Jul-08	23-Jul-13
US8486959	Dibenzo[f,h]isoquinoline derivatives	National Health Research Institutes	14-Jan-10	14-Jan-11	16-Jul-13
US8486678	Pharmaceutical compositions for the treatment of virus infection	Kineta Two, LLC	23-Nov-05	1-Feb-12	16-Jul-13
US8486619	Arrayed imaging reflectometry (air) sensor chip comprising influenza hemagglutinin (HA) polypeptides suitable for the detection of antiviral immune responses	University of Rochester	2-May-08	1-May-09	16-Jul-13
US8486420	Live virus vaccines	Children's Hospital, Inc.	15-Feb-05	15-Feb-06	16-Jul-13
US8481547	Substituted benzothiazole and benzoxazole derivatives useful as inhibitors of DPP-1	Janssen Pharmaceutica NV	18-Dec-09	16-Dec-10	9-Jul-13
US8481270	Method for chromogenic detection of two or more target molecules in a single sample	Ventana Medical Systems, Inc.	22-Aug-08	21-Aug-09	9-Jul-13
US8481255	Scytovirin domain 1 related polypeptides	The United States of America, as represented by the Secretary, Department of Health and Human Services	25-May-05	30-Sep-11	9-Jul-13
US8476292	Amide and carbamate derivatives of N-{2-[4-amino-2-(ethoxymethyl)-1H-imidazo[4,5-c]quinolin-1-yl]-1,1-dimethylethyl}methanesulfonamide and methods	3M Innovative Properties Company	9-Sep-05	8-Sep-06	2-Jul-13
US8476288	Salts 756	AstraZeneca AB	21-May-09	20-May-10	2-Jul-13
US8476265	Compounds-801	AstraZeneca AB	30-Jul-10	14-Sep-12	2-Jul-13
US8470771	Method and medicament for inhibiting the infection of influenza virus	Institute of Microbiology, Chinese Academy of Sciences	14-Nov-07	18-Dec-07	25-Jun-13
US8470769	Method of treatment of bacterial infection by administration of polylysine	Novabiotics, Ltd.	18-Aug-04	30-Nov-11	25-Jun-13



US8470346	Anti-viral pharmaceutical compositions	Mast Therapeutics, Inc.	10-Dec-03	19-May-11	25-Jun-13
US8470335	Recombinant SARS-CoV nsp12 and the use of thereof and the method for producing it	Industry-Academic Cooperation Foundation, Yonsei University Kookmin University Industry Academy Cooperation Foundation	13-Jun-08	13-Jun-08	25-Jun-13
US8466284	Some 2-pyrazinone derivatives and their use as inhibitors of neutrophil elastase	AstraZeneca AB	6-Nov-07	5-Nov-08	18-Jun-13
US8466167	Compounds and compositions as TLR activity modulators	IRM LLC	3-Mar-08	27-Feb-09	18-Jun-13
US8466124	RNA sequence motifs in the context of defined internucleotide linkages inducing specific immune modulatory profiles	Coley Pharmaceutical GmbH	13-Aug-07	12-Jun-12	18-Jun-13
US8465751	CnaB domain antigens in vaccines against gram positive bacteria	Novartis AG	12-Jan-09	12-Jan-10	18-Jun-13
US8461125	Compositions and methods to treat asthma	The Children's Hospital of Philadelphia	14-Feb-08	13-Aug-10	11-Jun-13
US8460914	Decreasing potential iatrogenic risks associated with vaccines and vaccine antigens	Novartis AG	9-Sep-04	10-Jan-13	11-Jun-13
US8460605	Decontaminant dispenser suitable for use as a projectile	STERIS Inc.	6-Mar-07	20-Feb-08	11-Jun-13
US8455483	Compounds 801	AstraZeneca AB	31-Jul-09	30-Jul-10	4-Jun-13
US8450471	TAL effector-mediated DNA modification	Iowa State University Research Foundation, Inc.	10-Dec-09	22-Mar-12	28-May-13
US8450467	Carbohydrate conjugates as delivery agents for oligonucleotides	Alnylam Pharmaceuticals, Inc.	4-Dec-07	14-Dec-11	28-May-13
US8450350	Triazoles as inhibitors of fatty acid synthase	Infinity Pharmaceuticals, Inc.	5-May-10	5-May-11	28-May-13
US8450284	Coiled-coil lipopeptide helical bundles and synthetic virus-like particles	Universitaet Zuerich	9-Dec-06	6-Dec-07	28-May-13
US8450055	Malaria antigen screening method	The United States of America as Represented by the Secretary of the Navy	31-Aug-05	25-Aug-06	28-May-13
US8445650	Mutant botulinum neurotoxin serotype A polypeptide and uses thereof	Thomas Jefferson University	25-Sep-07	25-Sep-08	21-May-13
US8445447	B7-DC variants immunogenic compositions and methods of use thereof	The Johns Hopkins University	13-Jul-07	7-Mar-12	21-May-13
US8444961	RNA virus infection inhibitor, method for inhibition of infection by RNA virus, RNA virus infection-inhibiting product, and use as RNA virus infection inhibitor	Sekisui Chemical Co., Ltd.	16-Jun-09	16-Jun-10	21-May-13
US8440704	Quercetin-containing compositions	Quercegen Pharmaceuticals LLC	17-Jul-06	16-Dec-09	14-May-13
US8440649	Phenanthroindolizidine analogues	National Health Research Institutes	24-Feb-09	11-Feb-10	14-May-13
US8440642	Boron-containing small molecules	Anacor Pharmaceuticals, Inc.	16-Feb-05	1-Sep-11	14-May-13
US8440432	Tal effector-mediated DNA modification	Iowa State University Research Foundation, Inc.	10-Dec-09	22-Mar-12	14-May-13
US8440431	TAL effector-mediated DNA modification	Iowa State University Research Foundation, Inc.	10-Dec-09	22-Mar-12	14-May-13
US8440408	Animal protein-free media for cultivation of cells	Baxter Healthcare S.A.	29-Oct-04	10-Dec-10	14-May-13
US8436178	Imidazoquinolines with immuno-modulating properties	AstraZeneca AB	8-May-07	6-May-08	7-May-13
US8436024	2-pyridone compounds	Astrazeneca AB	2-Oct-09	1-Oct-10	7-May-13
US8431160	Microparticles containing biodegradable polymer and cationic polysaccharide for use in immunogenic compositions	Novartis AG	24-Feb-06	24-Feb-07	30-Apr-13
US8431134	Use of a pneumococcal P4 peptide for enhancing opsonophagocytosis in response to a pathogen	The United States of America as represented by the Secretary of the Department of Health and Human Services, Centers for Disease Control and Prevention	31-Jul-08	31-Jul-09	30-Apr-13
US8426565	Dendritic cell marker and uses thereof	Walter and Eliza Hall Institute of Medical Research	30-Aug-07	29-Aug-08	23-Apr-13
US8420798	Method for producing nucleic acid probes	Ventana Medical Systems, Inc.	1-Sep-06	31-Aug-07	16-Apr-13



US8420784	Interleukin 10 receptor, (IL-10R) antibodies	Kyowa Hakko Kirin Co., Ltd.	27-May-08	27-May-09	16-Apr-13
US8420096	Cell-penetrating SOCS polypeptides that inhibit cytokine-induced signaling	Vanderbilt University	4-Mar-04	4-Mar-05	16-Apr-13
US8420094	Fusion proteins comprising a fragment of Vibrio cholerae exotoxin A	The General Hospital Corporation	20-Jul-07	18-Jul-08	16-Apr-13
US8415394	Biphenyloxyacetic acid derivatives for the treatment of respiratory disease	Astrazeneca AB	6-Oct-05	21-Dec-11	9-Apr-13
US8415361	Use of TAM receptor inhibitors as antimicrobials	The Salk Institute for Biological Studies	9-Nov-07	7-Nov-08	9-Apr-13
US8415330	Biological specimen collection and transport system and method of use	Longhorn Vaccines & Diagnostics, LLC	1-Oct-07	1-Oct-12	9-Apr-13
US8415309	Bicyclic nucleosides and nucleotides as therapeutic agents	Biota Scientific Managment Pty Ltd	1-Jul-09	11-Jan-12	9-Apr-13
US8415118	Porcine DC-SIGN, ICAM-3 and LSECtin and uses thereof	Virginia Tech Intellectual Properties, Inc.	29-Oct-07	29-Oct-08	9-Apr-13
US8415102	Methods and computer systems for identifying target-specific sequences for use in nanoreporters	NanoString Technologies, Inc.	10-Apr-07	10-Apr-08	9-Apr-13
US8410149	Sulfonyl semicarbazides, semicarbazides and ureas, pharmaceutical compositions thereof, and methods for treating hemorrhagic fever viruses, including infections associated with arenaviruses	Siga Technologies Inc.	6-Dec-04	28-Oct-10	2-Apr-13
US8410114	2-pyrazinone derivatives for the treatment of disease or condition in which inhibition of neutrophil elastase activity is beneficial	AstraZeneca AB	8-May-06	6-Jan-12	2-Apr-13
US8409589	Mutant forms of streptolysin O	Novartis AG	21-Dec-07	14-Sep-11	2-Apr-13
US8399651	Nucleic acids encoding GAS57 mutant antigens	Novartis AG	12-Sep-07	10-Sep-12	19-Mar-13
US8398992	Methods and compositions for polytopic vaccination	Polytopos LLC	29-Apr-05	22-Dec-11	19-Mar-13
US8394986	Phenoxyacetic acid derivatives	AstraZeneca AB	21-Aug-03	26-Jul-11	12-Mar-13
US8394945	Compositions for use in identification of bacteria	Ibis Biosciences, Inc.	11-Sep-03	7-Mar-07	12-Mar-13
US8394386	Sequential delivery of immunogenic molecules via adenovirus and adeno-associated virus-mediated administrations	The Trustees of the University of Pennsylvania	28-Apr-04	27-Apr-05	12-Mar-13
US7829712	Pyridazine derivatives for inhibiting human stearyl-CoA-desaturase	Xenon Pharmaceuticals Inc.	20-Sep-04	20-Sep-05	9-Nov-10
US7829707	Pyrrolo [3,2-d]pyrimidin-4-one derivatives and their use in therapy	AstraZeneca AB	6-Dec-04	5-Dec-05	9-Nov-10
US7829302	Method for detecting the specificity of activated lymphocyte	HU JUN	8-Dec-03	7-Dec-04	9-Nov-10
US7820210	Methods and apparatus to prevent, treat, and cure the symptoms of nausea caused by chemotherapy treatments of human cancers	Inhalation, Inc.	3-Apr-00	18-Mar-08	26-Oct-10
US7812135	GITR-binding antibodies	TOLERRX, Inc.	25-Mar-05	27-Mar-06	12-Oct-10
US7803918	Coronavirus, nucleic acid, protein, and methods for the generation of vaccine, medicaments and diagnostics	Amsterdam Institute of Viral Genomics B.V.	18-Aug-03	18-Aug-04	28-Sep-10
US7803796	Homopiperazine compounds that inhibit ribosomal frameshifting by binding to RNA pseudoknot structure of SARS coronavirus	Sungkyunkwan University Foundation For Corporate Collaboration	22-Dec-06	20-Dec-07	28-Sep-10
US7803765	Methods of constructing biodiverse gene fragment libraries and biological modulators isolated therefrom	Phylogica Limited	20-Feb-04	20-Feb-04	28-Sep-10
US7799800	Lipid-modified immune response modifiers	3M Innovative Properties Company	30-Oct-03	12-Aug-04	21-Sep-10
US7794998	Primate T-lymphotropic viruses	Johns Hopkins University	21-Feb-05	24-Feb-07	14-Sep-10
US7794659	Signal measuring system having a movable signal measuring device	Gen-Probe Incorporated	10-Mar-05	10-Mar-06	14-Sep-10
US7790878	RNAi modulation of RSV, PIV and other respiratory viruses and uses thereof	Alnylam Pharmaceuticals, Inc.	22-Oct-04	25-Jun-09	7-Sep-10

US7790449	Adeno-associated virus (AAV) serotype 8 sequences, vectors containing the same, and uses therefor	The Trustees of the University of Pennsylvania	17-Dec-01	6-Sep-07	7-Sep-10
US7790159	Methods, combinations and kits for treating viral infections using immunoconjugates and antibodies to aminophospholipids	Board of Regents, The University of Texas System	15-Jul-02	15-Aug-03	7-Sep-10
US7786290	Double-stranded ribonucleic acid with increased effectiveness in an organism	Alnylam Pharmaceuticals, Inc.	13-Jun-03	14-Jun-04	31-Aug-10
US7785775	Human virus causing severe acute respiratory syndrome (SARS) and uses thereof	Versitech Limited	24-Mar-03	8-Jun-07	31-Aug-10
US7785612	Polyamino acid for use as adjuvant	Masanori Baba	20-Apr-05	19-Apr-06	31-Aug-10
US7781226	Particle on membrane assay system	The Board of Regents of the University of Texas System	27-Feb-04	22-Dec-04	24-Aug-10
US7781203	Supports for assaying analytes and methods of making and using thereof	Corning Incorporated	29-Dec-05	7-Jun-06	24-Aug-10
US7777036	Heterocyclic derivatives and their use as therapeutic agents	Xenon Pharmaceuticals Inc.	20-Sep-04	20-Sep-05	17-Aug-10
US7777022	Bioinformatically detectable group of novel regulatory viral and viral associated oligonucleotides and uses thereof	Rosetta Genomics, Ltd.	26-Nov-02	26-May-04	17-Aug-10
US7776521	Coronavirus isolated from humans	The United States of America as represented by the Secretary of the Department of Health and Human Services, Centers for Disease Control and Prevention	25-Apr-03	14-May-07	17-Aug-10
US7767817	Water soluble boronic acid fluorescent reporter compounds and methods of use thereof	FANG HAO	5-Sep-03	7-Sep-04	3-Aug-10
US7767677	Heterocyclic derivatives and their use as stearyl-CoA desaturase inhibitors	Xenon Pharmaceuticals Inc.	20-Sep-04	20-Sep-05	3-Aug-10
US7767658	Vaccine composition	Aventis Pasteur SA	17-Nov-03	9-Jan-08	3-Aug-10
US7767657	Boron-containing small molecules	Anacor Pharmaceuticals, Inc.	16-Feb-05	16-Aug-06	3-Aug-10
US7767210	RNA virus vaccines and methods	The Board of Regents of the University of Oklahoma	14-Dec-05	14-Dec-06	3-Aug-10
US7763618	Pyridyl derivatives and their use as therapeutic agents	Xenon Pharmaceuticals Inc.	29-Jul-03	29-Jul-04	27-Jul-10
US7758868	Modified polymerases and attenuated viruses and methods of use thereof	The Penn State Research Foundation	22-Dec-06	24-Dec-07	20-Jul-10
US7754711	Pyridazine derivatives and their use as therapeutic agents	Xenon Pharmaceuticals Inc.	30-Jul-03	9-Feb-05	13-Jul-10
US7750123	Antibodies against SARS-CoV and methods of use thereof	Dana Farber Cancer Institute, Inc.	25-Nov-03	24-Nov-04	6-Jul-10
US7749445	Method and apparatus for analyzing bioprocess fluids	BioScale, Inc.	2-May-05	19-Dec-06	6-Jul-10
US7745486	Quercetin-containing compositions	Quercegen Pharma LLC	17-Jul-06	16-Jul-07	29-Jun-10
US7745442	Methods of reducing risk of infection from pathogens	Parion Sciences, Inc.	20-Aug-03	18-Aug-04	29-Jun-10
US7745147	Methods and uses of antibodies in the purification of interferon	ViraNative AB	12-Feb-05	13-Feb-06	29-Jun-10
US7745119	System for detecting polynucleotides	Investigen, Inc.	20-May-03	21-Nov-05	29-Jun-10
US7745118	Comparative genomic resequencing	Roche Nimblegen, Inc.	8-Apr-04	8-Apr-05	29-Jun-10
US7741450	Antibodies to GM-CSF	Morphotek Inc.	8-Feb-06	8-Feb-07	22-Jun-10
US7741360	Bi-aryl or aryl-heteroaryl substituted indoles	AstraZeneca AB	26-May-06	25-May-07	22-Jun-10
US7740858	SARS-CoV-specific B-cell epitope and applications thereof	National Taiwan University	21-Sep-04	21-Sep-04	22-Jun-10
US7737135	Biphenyloxyacetic acid derivatives for the treatment of respiratory disease	AstraZeneca AB	24-Aug-04	22-Aug-05	15-Jun-10
US7736850	Strain of SARS-associated coronavirus and applications thereof	Centre National de la Recherche Scientifique	2-Dec-03	2-Dec-04	15-Jun-10

US7732177	Oligoadenylate Synthetase (OAS)	Illumigen Biosciences, Inc.	23-Nov-05	17-Nov-06	8-Jun-10
US7731978	Mutant forms of streptolysin O	Novartis AG	21-Dec-07	19-Dec-08	8-Jun-10
US7728110	Antibodies to SARS coronavirus	Amgen, Inc.	19-May-06	21-May-07	1-Jun-10
US7725565	System and method for detecting, collecting, analyzing, and communicating event related information	Georgetown University	25-Feb-08	19-Nov-08	25-May-10
US7723570	Edible vaccines expressed in soybeans	SoyMeds, Inc.	12-Oct-04	12-Oct-05	25-May-10
US7723041	Assay for SARS coronavirus by amplification and detection of the replicase sequence	Becton, Dickinson and Company	12-Sep-03	3-Feb-09	25-May-10
US7722886	Compositions and methods for treatment of severe acute respiratory syndrome (SARS)	Wyeth	20-May-04	20-May-04	25-May-10
US7714109	Combinations and kits for cancer treatment using selected antibodies to aminophospholipids	Board of Regents, The University of Texas System	15-Jul-02	15-Aug-03	11-May-10
US7713515	Methods and compositions for use in diagnosing and characterizing diseases involving abnormal apoptosis	R.E.D. Laboratories N.V.	27-May-03	26-May-04	11-May-10
US7709521	Substituted indole derivatives for pharmaceutical compositions for treating respiratory diseases	AstraZeneca AB	18-Aug-03	16-Aug-04	4-May-10
US7709511	Benzothiazolone derivatives	AstraZeneca AB	9-Aug-05	3-Aug-06	4-May-10
US7709188	Multi-allelic detection of SARS-associated coronavirus	Birch Biomedical Research LLC	22-Aug-03	13-Aug-04	4-May-10
US7700782	Compounds 569	AstraZeneca AB	19-Dec-07	19-Dec-07	20-Apr-10
US7700728	Use of chimeric receptors in a screening assay for identifying agonists and antagonists of cell receptors	Schering Corporation	24-Mar-05	24-Mar-06	20-Apr-10
US7700727	Compositions and kits for detecting pathogen infection	Biokit, S.A.	23-Dec-03	27-Apr-05	20-Apr-10
US7700273	Peptidomimetics that mimic a conformational-dependent neutralizing epitope of the human immunodeficiency virus (HIV) CCR5 coreceptor	The United States of America as represented by the Department of Health and Human Services	9-Apr-04	11-Apr-05	20-Apr-10
US7700120	Adjuvancy and immune potentiating properties of natural products of Onchocerca volvulus	New York Blood Center	15-Jun-04	15-Jun-05	20-Apr-10
US7696406	Expression of a recombinant transgene	Board of Trustees Operating Michigan State University	3-Jul-03	2-Jul-04	13-Apr-10
US7696330	Binding molecules against SARS-coronavirus and uses thereof	Crucell Holland B.V.	22-Jul-03	20-Jan-06	13-Apr-10
US7691877	Pharmaceuticals	Pfizer Inc.	17-Feb-06	16-Feb-07	6-Apr-10
US7691646	Hazardous substance removing method, hazardous substance removing material used therein such as air filter, mask, wipe sheet, and the like, and storage method thereof	Daikin Industries, Ltd.	28-Mar-03	21-Nov-08	6-Apr-10
US7691599	Mammalian genes involved in viral infection and tumor suppression	Zirus, Inc.	2-May-02	2-May-03	6-Apr-10
US7691390	Viral protein	CHANG MING-FU	2-Mar-04	19-Sep-07	6-Apr-10
US7687535	Substituted 3-sulfur indoles	AstraZeneca AB	27-May-03	25-May-04	30-Mar-10
US7687475	RNA interference in respiratory epithelial cells	University of Iowa Research Foundation	9-Jul-04	16-Oct-07	30-Mar-10
US7682688	Microporous materials, methods, and articles for localizing and quantifying analytes	University of Utah Research Foundation	26-Nov-02	20-Nov-03	23-Mar-10
US7678774	Treating severe acute respiratory syndrome	Hemispherx Biopharma	16-May-03	26-Jan-07	16-Mar-10
US7678386	Liposomes coated with selected antibodies that bind to aminophospholipids	Board of Regents the University of Texas	15-Jul-02	15-Aug-03	16-Mar-10
US7674795	Fluorene derivatives, composition containing said derivatives and the use thereof	Aventis Pharma SA	19-May-05	14-Nov-07	9-Mar-10

US7670807	RNA-dependent DNA polymerase from <i>Geobacillus stearothermophilus</i>	East Tennessee State Univ. Research Foundation	10-Mar-04	10-Mar-04	2-Mar-10
US7670565	Building decontamination with vaporous hydrogen peroxide	Steris Inc	31-Jan-03	3-Mar-08	2-Mar-10
US7666996	Casein derived peptides and uses thereof	Peptera Pharmaceuticals Ltd	1-Mar-00	1-Mar-04	23-Feb-10
US7666592	Methods for concurrent identification and quantification of an unknown bioagent	Ibis Biosciences, Inc.	18-Feb-04	17-Feb-05	23-Feb-10
US7662860	3D-structure model of SARS coronavirus 3CL protease and anti-SARS drugs	Shanghai Institute of Materia Medica, Chinese Academy of Sciences	4-Jun-03	2-Dec-05	16-Feb-10
US7648997	Hydroxylamine substituted imidazoquinolines	Coley Pharmaceutical Group, Inc.	12-Aug-03	12-Aug-04	19-Jan-10
US7648844	Method and apparatus for detection of analyte using an acoustic device	BioScale, Inc.	2-May-05	2-May-06	19-Jan-10
US7645881	Methods for treating hepatitis C	PTC Therapeutics, Inc.	22-Jul-04	14-Jul-05	12-Jan-10
US7642350	Purine derivatives	Pfizer Limited	4-May-05	3-May-06	5-Jan-10
US7636637	Variable length probe selection	Roche NimbleGen, Inc.	18-Jun-04	20-Jun-05	22-Dec-09
US7635557	Enzymatic diagnostic test for SARS and other viral diseases	MND Diagnostic Ltd.	23-Jun-03	23-Jun-04	22-Dec-09
US7635485	Method of accelerated vaccination against Ebola viruses	The United States of America as represented by the Department of Health and Human Services	1-Aug-03	17-Jan-06	22-Dec-09
US7632638	Methods and apparatus for detecting viruses using an acoustic device	BioScale, Inc.	2-May-05	2-May-06	15-Dec-09
US7629443	Neutralizing monoclonal antibodies against severe acute respiratory syndrome-associated coronavirus	New York Blood Center, Inc.	2-Jun-04	8-Feb-06	8-Dec-09
US7629385	Sphingolipid-derived pharmaceutical compositions	Jado Technologies GmbH	29-Jun-04	29-Jun-05	8-Dec-09
US7629137	Methods and apparatus for detecting bacteria using an acoustic device	BioScale, Inc.	2-May-05	2-May-06	8-Dec-09
US7629114	Method of collecting nasopharyngeal cells and secretions for diagnosis of viral upper respiratory infections and screening for nasopharyngeal cancer	World Sense Technology Limited	26-Aug-03	20-Aug-04	8-Dec-09
US7625563	Cancer treatment methods using selected immunoconjugates for binding to aminophospholipids	Board of Regents, The University of Texas System	15-Jul-02	15-Aug-03	1-Dec-09
US7625492	Charge-based water filtration systems	The University of Wyoming Research Corporation	28-Jan-03	28-Jan-04	1-Dec-09
US7625428	Bioagent air filtration systems	The University of Wyoming Research Corporation	28-Jan-03	28-Jan-04	1-Dec-09
US7623997	Computer-implemented biological sequence identifier system and method	The United States of America as represented by the Secretary of the Navy	2-Jul-04	6-Jun-06	24-Nov-09
US7622559	Human monoclonal antibodies against interleukin 8 (IL-8)	Genmab A/S	16-Dec-02	27-Jun-07	24-Nov-09
US7622125	Polycistronic HIV vector constructs	Novartis Vaccines and Diagnostics, Inc.	5-May-04	5-May-05	24-Nov-09
US7622118	Cancer treatment methods using selected antibodies to aminophospholipids	Board of Regents, The University of Texas System	15-Jul-02	15-Aug-03	24-Nov-09
US7622112	Anti-SARS monoclonal antibodies	Not Available	5-Dec-03	6-Dec-04	24-Nov-09
US7619067	Evolved interferon-alpha polypeptides	Maxygen, Inc.	18-May-05	17-May-06	17-Nov-09
US7618802	Compositions of coronaviruses with a recombination-resistant genome	The University of North Carolina at Chapel Hill	21-Jul-03	19-Jan-06	17-Nov-09
US7618788	Proteome epitope tags and methods of use thereof in protein modification analysis	Millipore Corporation	10-May-02	5-Feb-04	17-Nov-09
US7618635	Super-antigen fusion proteins and the use thereof	Healthbanks Biotech Co., Ltd.	21-Jul-04	19-Jul-05	17-Nov-09
US7615381	Method and apparatus for detecting estradiol and metabolites thereof using an acoustic device	BioScale, Inc.	2-May-05	2-May-06	10-Nov-09

US7615223	Selected immunoconjugates for binding to aminophospholipids	Board of Regents, The University of Texas System	15-Jul-02	15-Aug-03	10-Nov-09
US7611908	Method and apparatus for therapeutic drug monitoring using an acoustic device	BioScale, Inc.	2-May-05	2-May-06	3-Nov-09
US7611704	Compositions and methods for treating viral infections using antibodies and immunoconjugates to aminophospholipids	Board of Regents, The University of Texas System	15-Jul-02	15-Aug-03	3-Nov-09
US7605161	Pyridyl derivatives and their use as therapeutic agents	Xenon Pharmaceuticals Inc.	30-Jul-03	29-Jul-04	20-Oct-09
US7605135	Baicalin as a treatment for SARS infection	The University of Hong Kong	10-Nov-03	8-Nov-04	20-Oct-09
US7604960	Transient protein expression methods	Crucell Holland B.V.	15-Apr-99	1-Jun-07	20-Oct-09
US7604801	Methods for detecting parvovirus infections	The Research Foundation of State University of New York	5-May-03	16-Oct-08	20-Oct-09
US7598382	Aryl substituted imidazoquinolines	Coley Pharmaceutical Group, Inc.	20-Dec-02	13-Jan-06	6-Oct-09
US7598094	Methods and apparatus for detecting cardiac injury markers using an acoustic device	BioScale, Inc.	2-May-05	2-May-06	6-Oct-09
US7598072	Assay to detect viral uncoating	Wisconsin Alumni Research Foundation	9-Dec-03	8-Dec-04	6-Oct-09
US7597936	Method of producing a pigmented composite microporous material	University of Utah Research Foundation	26-Nov-02	26-May-04	6-Oct-09
US7595381	Method for detecting SARS coronavirus	Eiken Kagaku Kabushiki Kaisha	27-Jun-03	10-Jun-08	29-Sep-09
US7595163	Method for detecting SARS coronavirus	Eiken Kagaku Kabushiki Kaisha	27-Jun-03	10-Jun-08	29-Sep-09
US7592343	Pyridazine-piperazine compounds and their use as stearyl-CoA desaturase inhibitors	Xenon Pharmaceuticals Inc.	20-Sep-04	20-Sep-05	22-Sep-09
US7592322	RNAi modulation of RSV, PIV and other respiratory viruses and uses thereof	Alnylam Pharmaceuticals, Inc.	22-Oct-04	14-Jun-05	22-Sep-09
US7592008	Membrane scaffold proteins	The Board of Trustees of the University of Illinois, a body corporate and politic of the State of Illinois	20-Nov-00	11-Jan-05	22-Sep-09
US7589092	Prodrugs of heteroaryl compounds	Koronis Pharmaceuticals, Incorporated	20-Jun-03	27-Dec-06	15-Sep-09
US7585647	Nucleic acid encoding recombinant interferon	WEI GUANGWEN	28-Aug-03	26-Aug-04	8-Sep-09
US7582740	Methods and kits for detecting SARS-associated coronavirus	The Trustees of Columbia University In the City of New York	17-Apr-03	23-Jan-04	1-Sep-09
US7582621	Boron-containing small molecules	Anacor Pharmaceuticals, Inc.	16-Feb-05	16-Feb-06	1-Sep-09
US7579396	Polymer composite	Eastman Kodak Company	31-Jan-07	31-Jan-07	25-Aug-09
US7579359	1-alkoxy 1H-imidazo ring systems and methods	3M Innovative Properties Company	2-Sep-04	1-Sep-05	25-Aug-09
US7572621	Detection, characterization and treatment of viral infection and methods thereof	Canadian Blood Services	9-Apr-03	11-Oct-05	11-Aug-09
US7572448	Combined cancer treatment methods using selected antibodies to aminophospholipids	Board of Regents, The University of Texas System	15-Jul-02	15-Aug-03	11-Aug-09
US7572442	Selected antibody compositions for binding to aminophospholipids	Board of Regents, The University of Texas System	15-Jul-02	15-Jul-03	11-Aug-09
US7569536	Method for controlling SR protein phosphorylation, and antiviral agents whose active ingredients comprise agents that control SR protein activity	Masatoshi Hagiwara	26-Dec-03	24-Dec-04	4-Aug-09
US7569384	Albumin fusion proteins	Human Genome Sciences, Inc.	9-Feb-04	8-Aug-06	4-Aug-09
US7550140	Antibody to the human OX40 receptor	Crucell Holland B.V.	13-Jun-02	13-Jun-03	23-Jun-09
US7547698	Bicyclic heterocyclic derivatives and their use as inhibitors of stearyl-coadesaturase (SCD)	Xenon Pharmaceuticals Inc.	20-Sep-04	20-Sep-05	16-Jun-09
US7547516	Method for reducing the presence of amplification inhibitors in a reaction receptacle	Gen-Probe Incorporated	10-Mar-05	10-Mar-06	16-Jun-09

US7547512	High-throughput diagnostic assay for the human virus causing severe acute respiratory syndrome (SARS)	The University of Hong Kong	24-Mar-03	24-Mar-04	16-Jun-09
US7544697	Pyrazolopyridines and analogs thereof	Coley Pharmaceutical Group, Inc.	3-Oct-03	1-Apr-05	9-Jun-09
US7541436	Interferon-alpha polypeptides and conjugates	Maxygen, Inc.	19-May-04	4-May-07	2-Jun-09
US7541163	Interferon-alpha polypeptides and conjugates	Maxygen, Inc.	19-May-04	14-Aug-07	2-Jun-09
US7531630	Interferon-alpha polypeptides and conjugates	Maxygen, Inc.	19-May-04	13-Sep-06	12-May-09
US7531324	Interferon-alpha polypeptides and conjugates	Maxygen, Inc.	19-May-04	13-Sep-06	12-May-09
US7521424	Albumin fusion proteins	Human Genome Sciences, Inc.	22-Jan-03	7-Jul-05	21-Apr-09
US7521185	Assay for SARS coronavirus by amplification and detection of the replicase sequence	Becton, Dickinson and Company	12-Sep-03	13-Sep-04	21-Apr-09
US7514436	Pyridazine derivatives and their use as therapeutic agents	Xenon Pharmaceuticals Inc.	30-Jul-03	29-Jul-04	7-Apr-09
US7511124	Compositions comprising phosphatidylethanolamine-binding peptides linked to anti-viral agents	Board of Regents, The University of Texas System	15-Jul-02	15-Aug-03	31-Mar-09
US7504384	Use of lipid conjugates in the treatment of infection	Yissum Research Development Company of the Hebrew University of Jerusalem	10-Jan-00	8-Sep-05	17-Mar-09
US7504382	Protease inhibitors for coronaviruses and SARS-CoV and the use thereof	Cytovia, Inc.	6-May-03	6-May-04	17-Mar-09
US7504205	Uncharacterized ORF3 in SARS-coronavirus is a cyclic-AMP-dependent kinase and a target for SARS therapy	The Burnham Institute	17-May-04	17-May-05	17-Mar-09
US7504097	Interferon-alpha polypeptides and conjugates	Maxygen, Inc.	18-Nov-02	30-Oct-06	17-Mar-09
US7498409	Screening assay for TLR7, TLR8 and TLR9 agonists and antagonists	Schering Corporation	24-Mar-05	23-Mar-06	3-Mar-09
US7498152	Interferon-alpha polypeptides and conjugates	Maxygen, Inc.	18-Nov-02	30-Oct-06	3-Mar-09
US7495011	Anti-coronavirus drug	aRigen Pharmaceuticals, Inc.	15-Jul-03	14-Jul-04	24-Feb-09
US7491793	Influenza virus inhibiting peptides	The Administrators of the Tulane Educational Fund	4-Nov-03	3-Nov-04	17-Feb-09
US7491706	Artificial cpG single-stranded oligodeoxynucleotide and antiviral use thereof	Changchun Huapu Biotechnology Co., Ltd.	25-Jul-03	26-Jul-04	17-Feb-09
US7491508	Methods of generating chimeric adenoviruses and uses for such chimeric adenoviruses	The Trustees of the University of Pennsylvania	20-Jun-03	15-Jun-04	17-Feb-09
US7491489	Synthetic peptide targeting critical sites on the SARS-associated coronavirus spike protein responsible for viral infection and method of use thereof	The University of Hong Kong	22-Nov-04	28-Oct-05	17-Feb-09
US7491397	Receptor binding polypeptides	National Health Research Institutes	9-Jan-04	10-Jan-05	17-Feb-09
US7488801	Interferon-alpha polypeptides and conjugates	Maxygen, Inc.	18-Nov-02	30-Oct-06	10-Feb-09
US7488589	Interferon-alpha polypeptides and conjugates	Maxygen, Inc.	18-Nov-02	30-Oct-06	10-Feb-09
US7488473	Interferon-alpha polypeptides and conjugates	Maxygen, Inc.	18-Nov-02	30-Oct-06	10-Feb-09
US7485432	Selective modulation of TLR-mediated biological activity	3M Innovative Properties Company	27-Feb-03	27-Feb-04	3-Feb-09
US7482334	Therapeutic treatment methods	Hollis-Eden Pharmaceuticals, Inc.	28-Aug-02	12-Feb-07	27-Jan-09
US7482149	Inhibition of SARS coronavirus infection with clinically approved antiviral drugs	Genome Institute of Singapore	9-Jun-03	9-Jun-04	27-Jan-09
US7479484	Peptides and peptidomimetics having immune-modulating, anti-inflammatory, and anti-viral activity	Takeda Pharmaceutical Company Limited	25-Jun-03	25-Jun-04	20-Jan-09
US7470666	Use of Ulinastatin and its pharmaceutical composition for treating severe acute respiratory syndrome	Guangdong Techpool Biochem. Pharma. Co., Ltd.	26-May-03	25-May-04	30-Dec-08

US7470548	Hazardous substance removing method, hazardous substance removing material used therein such as air filter, mask, wipe sheet, and the like, and storage method thereof	Daikin Industries, Ltd.	28-Mar-03	26-Mar-04	30-Dec-08
US7468418	Compositions for enhancing transport of molecules into cells	AVI BioPharma., Inc.	29-Apr-03	29-Apr-04	23-Dec-08
US7465836	Hydrolytically-resistant boron-containing therapeutics and methods of use	Anacor Pharmaceuticals, Inc.	16-Jun-03	15-Jun-04	16-Dec-08
US7462615	Inhibitors of cysteine proteases, the pharmaceutical compositions thereof and their therapeutic applications	Hybrigenics SA	8-Dec-05	8-Dec-05	9-Dec-08
US7460960	Proteome epitope tags and methods of use thereof in protein modification analysis	Epitome Biosystems, Inc.	10-May-02	13-Nov-03	2-Dec-08
US7456180	Piperazine derivatives and their use as therapeutic agents	Xenon Pharmaceuticals Inc.	30-Jul-03	29-Jul-04	25-Nov-08
US7455833	Methods and compositions for treating viral infections using antibodies and immunoconjugates to aminophospholipids	Board of Regents, The University of Texas System	15-Jul-02	15-Aug-03	25-Nov-08
US7452542	Live attenuated coronavirus vaccines	Vanderbilt University	21-May-04	23-May-05	18-Nov-08
US7445889	Methods for detecting parvovirus infections	The Research Foundation of State University of New York	5-May-03	5-May-04	4-Nov-08
US7442761	Replikin peptides and uses thereof	BOGOCH ELENORE S	6-Jun-03	4-Jun-04	28-Oct-08
US7442508	Methods for detection and production of influenza viruses	Diagnostic Hybrids, Inc.	24-Apr-98	28-Apr-06	28-Oct-08
US7439349	Method for preparation of large volume batches of poly-ICLC with increased biological potency; therapeutic, clinical and veterinary uses thereof	Not Available	3-Jul-02	1-Jul-03	21-Oct-08
US7439052	Method of making modified immunodeficiency virus particles	Lipid Sciences	29-Jun-00	10-Apr-06	21-Oct-08
US7435588	Systems for detection and production of respiratory, herpes and enteric viruses	Diagnostic Hybrids, Inc.	20-Sep-05	28-Apr-06	14-Oct-08
US7435538	High throughput screening method of drug for physiologically active protein	CellFree Sciences Co., Ltd.	8-Sep-03	8-Sep-04	14-Oct-08
US7432045	Method of inhibiting influenza infection with antiviral peptides	Wisconsin Alumni Research Foundation	1-Dec-03	1-Dec-04	7-Oct-08
US7429656	Inhibition of SARS-associated coronavirus (SCoV) infection and replication by RNA interference	The University of Hong Kong	19-May-03	14-Jun-06	30-Sep-08
US7427479	Methods and kits for identifying target nucleotides in mixed populations	Applera Corporation	30-Apr-04	29-Apr-05	23-Sep-08
US7424370	Computational method for identifying adhesin and adhesin-like proteins of therapeutic potential	Council of Scientific and Industrial Research	20-Jul-04	7-Feb-05	9-Sep-08
US7407663	Modified immunodeficiency virus particles	Lipid Sciences, Inc.	29-Jun-00	20-Jun-03	5-Aug-08
US7407662	Modified viral particles with immunogenic properties and reduced lipid content	Lipid Sciences, Inc.	29-Jun-00	21-Jun-04	5-Aug-08
US7405207	Nebulizer formulations of dehydroepiandrosterone and methods of treating asthma or chronic obstructive pulmonary disease using compositions thereof	Epigenesis Pharmaceuticals, Inc.	17-Jun-02	17-Jun-03	29-Jul-08
US7405046	Compositions and methods for treatment of rhinovirus	The Quigley Corporation	6-Aug-01	27-Oct-06	29-Jul-08
US7399588	Method for detecting SARS coronavirus	Eiken Kagaku Kabushiki Kaisha	27-Jun-03	15-Jun-04	15-Jul-08
US7396914	SARS nucleic acids, proteins, antibodies, and uses thereof	University of Massachusetts	4-Aug-03	4-Aug-04	8-Jul-08
US7393856	Anti-viral uses of borinic acid complexes	Anacor Pharmaceuticals, Inc.	14-Jun-04	14-Jun-05	1-Jul-08
US7393638	Assay system and methods for detecting SARS-CV	AsiaGEN Corporation	1-Jul-03	1-Jul-03	1-Jul-08
US7387271	Immunostimulatory combinations	3M Innovative Properties Company	30-Dec-02	30-Dec-03	17-Jun-08



US7384909	Anti-viral treatment methods using phosphatidylethanolamine-binding peptides linked to anti-viral agents	Board of Regents, The University of Texas System	15-Jul-02	15-Aug-03	10-Jun-08
US7378386	Anti-viral treatment methods using phosphatidylethanolamine-binding peptide derivatives	Board of Regents, The University of Texas System	15-Jul-02	15-Aug-03	27-May-08
US7375210	PCR primer set for detecting severe acute respiratory syndrome (SARS)-Coronavirus, method and kit for detecting SARS-Coronavirus using the same	Samsung Electronics Co., Ltd.	12-Dec-03	24-Nov-04	20-May-08
US7375202	Human virus causing severe acute respiratory syndrome (SARS) and uses thereof	The University of Hong Kong	24-Mar-03	24-Mar-04	20-May-08
US7375180	Methods and compositions related to IRM compounds and Toll-like receptor 8	3M Innovative Properties Company	13-Feb-03	12-Feb-04	20-May-08
US7374883	Method and kit for the detection of a novel coronavirus associated with the severe acute respiratory syndrome (SARS)	QIAGEN Diagnostics GmbH	30-Apr-03	30-Apr-04	20-May-08
US7371850	Method and composition for reducing expression of ROCK-II	Myriad Genetics, Inc.	20-Aug-03	20-Aug-04	13-May-08
US7371837	Human virus causing respiratory tract infection and uses thereof	The University of Hong Kong	21-Jul-04	16-May-05	13-May-08
US7371525	Compositions and methods for diagnosing and treating severe acute respiratory syndrome (SARS)	The Chinese University of Hong Kong	29-Jul-03	28-Jul-04	13-May-08
US7361747	Isolation and characterization of the precursor virus of human SARS virus: SARS-associated corona virus-like virus	The University of Hong Kong	22-May-03	24-May-04	22-Apr-08
US7361304	Building decontamination with vaporous hydrogen peroxide	Steris Inc.	31-Jan-03	29-Jan-04	22-Apr-08
US7358068	Antiviral oligonucleotides	Replicor, Inc.	13-Sep-02	12-Sep-03	15-Apr-08
US7354908	Materials and methods for prevention and treatment of RNA viral diseases	University of South Florida	30-Apr-02	30-Apr-03	8-Apr-08
US7354551	Room decontamination with hydrogen peroxide vapor	Steris Inc	8-Jul-04	8-Jul-04	8-Apr-08
US7344740	Methods and apparatus to prevent, treat, and cure the symptoms of nausea caused by chemotherapy treatments of human cancers	Inhalation, Inc.	3-Apr-00	27-Nov-04	18-Mar-08
US7344720	Vaccine composition	Sanofi Pasteur SA	17-Nov-03	15-Nov-04	18-Mar-08
US7339051	Compositions and methods for the treatment of severe acute respiratory syndrome (SARS)	Isis Pharmaceuticals, Inc.	28-Apr-03	26-Apr-04	4-Mar-08
US7335658	Pyridazine derivatives and their use as therapeutic agents	Xenon Pharmaceuticals Inc.	30-Jul-03	29-Jul-04	26-Feb-08
US7332475	Preventive or therapeutic composition for viral infectious disease	Kyowa Hakko Kogyo Co., Ltd.	22-Jul-03	22-Jul-04	19-Feb-08
US7332294	CXCL10-based diagnosis and treatment of respiratory illnesses	University Health Network	17-Aug-04	17-Aug-04	19-Feb-08
US7320857	Characterization of the earliest stages of the severe acute respiratory syndrome (SARS) virus and uses thereof	Chinese National Human Genome Center at Shanghai	9-Jul-04	9-Jul-04	22-Jan-08
US7318918	Interferon-alpha polypeptides and conjugates	Maxygen, Inc.	19-May-04	18-May-05	15-Jan-08
US7314613	Interferon-alpha polypeptides and conjugates	Maxygen, Inc.	18-Nov-02	19-May-04	1-Jan-08
US7312036	Compositions for use in identification of viral hemorrhagic fever viruses	ISIS Pharmaceuticals, Inc.	22-Mar-04	21-Mar-05	25-Dec-07
US7297786	RNA interference in respiratory epithelial cells	University of Iowa Research Foundation	9-Jul-04	11-Jul-05	20-Nov-07
US7291498	Methods of generating chimeric adenoviruses and uses for such chimeric adenoviruses	The Trustees of the University of Pennsylvania	20-Jun-03	20-Jun-03	6-Nov-07
US7282568	Human monoclonal antibodies against interleukin 8 (IL-8)	Genmab A/S	16-Dec-02	16-Dec-03	16-Oct-07
US7282199	Adeno-associated virus (AAV) serotype 8 sequences, vectors containing same, and uses therefor	The Trustees of the University of Pennsylvania	17-Dec-01	25-Apr-03	16-Oct-07
US7267942	Diagnostic assay for the human virus causing severe acute respiratory syndrome (SARS)	The University of Hong Kong	24-Mar-03	24-Mar-04	11-Sep-07



US7261867	Production of silver sulfate grains using organo-sulfate or organo-sulfonate additives	Eastman Kodak Company	7-Apr-06	7-Apr-06	28-Aug-07
US7247303	Selected antibody CDRs for binding to aminophospholipids	Board of Regents, The University of Texas System	15-Jul-02	15-Aug-03	24-Jul-07
US7244732	Prodrugs of heteroaryl compounds	Koronis Pharmaceuticals, Incorporated	20-Jun-03	31-Mar-04	17-Jul-07
US7223787	Prenylation inhibitors reduce host cell permissiveness to viral replication	Board of Regents, The University of Texas System	21-Oct-03	21-Oct-03	29-May-07
US7220852	Coronavirus isolated from humans	The United States of America as represented by the Secretary of the Department of Health and Human Services, Centers for Disease Control and Prevention	25-Apr-03	12-Apr-04	22-May-07
US7183300	Inhibitors of HIV-1 capsid formation: substituted aryl aminomethyl thiazole ureas and analogues thereof	AGARWAL ATUL	11-Nov-04	10-Nov-05	27-Feb-07
US7166435	Compositions and methods for reducing the transmissivity of illnesses	The Quigley Corporation	6-Aug-01	14-Dec-04	23-Jan-07
US7163947	1-Amino 1H-imidazoquinolines	3M Innovative Properties Company	7-Mar-03	3-Sep-04	16-Jan-07
US7151163	Antiviral agents for the treatment, control and prevention of infections by coronaviruses	Sequoia Pharmaceuticals, Inc.	28-Apr-03	28-Apr-04	19-Dec-06
US7151091	Compositions and methods for preventing infection	La Jolla Biosciences LLC	20-Sep-02	22-Sep-03	19-Dec-06
US7148248	Method of treating or inhibiting the development of brain inflammation and sepsis	NOZAKI MASAKO	29-Nov-02	26-Nov-03	12-Dec-06
US7129223	Inhibition of SARS-associated coronavirus (SCoV) infection and replication by RNA interference	The University of HongKong	19-May-03	19-May-04	31-Oct-06
US7129042	Compositions and methods for detecting severe acute respiratory syndrome coronavirus	Diagnostic Hybrids, Inc.	3-Nov-03	3-Nov-03	31-Oct-06
US7115563	Composition and its therapeutic use	Insignion Holding Limited	29-May-02	29-May-03	3-Oct-06
US7091214	Aryl substituted Imidazoquinolines	3M Innovative Properties Co.	20-Dec-02	18-Dec-03	15-Aug-06
US7048953	Methods and apparatus to prevent, treat and cure infections of the human respiratory system by pathogens causing severe acute respiratory syndrome (SARS)	Inhalation, Inc.	3-Apr-00	2-May-03	23-May-06
US7023593	Apparatus for forming nano-grating device	Industrial Technology Research Institute	28-Nov-03	17-Mar-04	4-Apr-06
US6946291	Mixed cell diagnostic systems	Diagnostic Hybrids, Inc.	24-Apr-98	30-Mar-04	20-Sep-05
US20200176079	METHODS AND DEVICES FOR NUCLEIC ACID-BASED REAL-TIME DETERMINATION OF DISEASE STATES	Not Available	19-Jul-17	18-Jul-18	4-Jun-20
US20200173925	MICROSCOPIC BODY ENCLOSING METHOD, MICROSCOPIC BODY DETECTION METHOD, AND MICROSCOPIC BODY DETECTION DEVICE	JAPAN SCIENCE AND TECHNOLOGY AGENCY	29-Mar-17	28-Mar-18	4-Jun-20
US20200172883	COMPOSITIONS FOR INCREASING POLYPEPTIDE STABILITY AND ACTIVITY, AND RELATED METHODS	Not Available	19-Nov-09	13-Sep-19	4-Jun-20
US20200172879	DHFR TUNABLE PROTEIN REGULATION	Not Available	3-Mar-17	2-Sep-19	4-Jun-20
US20200172600	RSV F PROTEIN COMPOSITIONS AND METHOD FOR MAKING SAME	GLAXOSMITHKLINE BIOLOGICALS, SA	15-Jul-09	16-Aug-17	4-Jun-20
US20200172513	DIHYDROPYRIMIDINYL BENZAZEPINE CARBOXAMIDE COMPOUNDS	Hoffmann-La Roche Inc.	12-Jun-16	5-Feb-20	4-Jun-20
US20200172480	CONJUGATES OF CELL BINDING MOLECULES WITH CYTOTOXIC AGENTS	HANGZHOU DAC BIOTECH CO., LTD.	12-Jul-12	5-Feb-20	4-Jun-20
US20200171085	Method of Treating Respiratory Tract Infection	Not Available	19-May-17	18-May-18	4-Jun-20
US20200171060	FLEX-NUCLEOSIDE ANALOGUES, NOVEL THERAPEUTICS AGAINST FILOVIRUSES AND FLAVIVIRUSES	Not Available	31-Jul-17	26-Jan-18	4-Jun-20
US20200166505	METHOD AND DEVICE FOR DETECTING ANTIGEN-SPECIFIC ANTIBODIES IN A BIOLOGICAL FLUID SAMPLE BY USING NEODYMIUM MAGNETS	The U.S.A., as represented by the Secretary, Department of Health and Human Services	1-Sep-15	30-Jan-20	28-May-20
US20200165632	ENHANCING AGENTS FOR IMPROVED CELL TRANSFECTION AND/OR rAAV VECTOR PRODUCTION	Spark Therapeutics, Inc.	7-Jun-17	6-Jun-18	28-May-20

US20200165 630	COMPOSITIONS FOR THE TREATMENT OF DISEASE	Not Available	29- Apr- 16	28- Apr- 17	28- May- 20
US20200165 613	VIRUS LIKE PARTICLE	The University of Leeds	1- Jun- 17	31- May- 18	28- May- 20
US20200165 594	CRISPR SYSTEM BASED ANTIVIRAL THERAPY	MASSACHUSETTS INSTITUTE OF TECHNOLOGY	7-Jul- 17	6- Jul- 18	28- May- 20
US20200165 585	NEW CHIMERIC ENZYMES AND THEIR APPLICATIONS	Not Available	27- Jul-17	27- Jul- 18	28- May- 20
US20200165 357	CARBONIC ANHYDRASE IX (G250) ANTIBODIES AND METHODS OF USE THEREOF	Not Available	2- Dec- 05	21- Oct- 19	28- May- 20
US20200164 334	MICROSPOTTING DEVICE	Not Available	18- Apr- 12	11- Oct- 19	28- May- 20
US20200164 067	Methods and Compositions for Inhibiting Akt3	Not Available	15- Jan- 16	5- Feb- 20	28- May- 20
US20200164 058	TRIMERIC S1-CD40L FUSION PROTEIN VACCINE AGAINST MIDDLE EAST RESPIRATORY SYNDROME-CORONAVIRUS	King Abdulaziz University	27- Nov- 18	27- Nov- 18	28- May- 20
US20200164 020	PUM 1 PROTEIN AS TARGET FOR VIRUS INHIBITION	Not Available	12- Apr- 17	12- Apr- 17	28- May- 20
US20200163 878	LIPID NANOPARTICLE MRNA VACCINES	Not Available	26- Oct- 16	26- Oct- 17	28- May- 20
US20200157 600	METHODS AND COMPOSITIONS FOR WHOLE TRANSCRIPTOME AMPLIFICATION	Not Available	19- Nov- 18	19- Nov- 18	21- May- 20
US20200157 222	ANTI-PD-L1 ANTIBODIES AND USES THEREOF	Not Available	29- Mar- 18	29- Mar- 19	21- May- 20
US20200157 221	ONCOLYTIC VIRAL DELIVERY OF THERAPEUTIC POLYPEPTIDES	Not Available	30- Jun- 16	28- Jan- 20	21- May- 20
US20200155 704	ADENO-ASSOCIATED VIRUS (AAV) CLADES, SEQUENCES, VECTORS CONTAINING SAME, AND USES THEREFOR	Not Available	30- Sep- 03	30- Jan- 20	21- May- 20
US20200155 699	MODIFIED VIRUS-LIKE PARTICLES OF CMV	Not Available	22- Oct- 14	26- Nov- 19	21- May- 20
US20200155 667	VACCINE COMPOSITIONS	Not Available	27- Jul-17	24- Jan- 20	21- May- 20
US20200155 664	INFLUENZA VACCINES WITH REDUCED AMOUNTS OF SQUALENE	Not Available	10- Feb- 09	26- Jun- 19	21- May- 20
US20200155 662	COMBINATION IMMUNOTHERAPIES COMPRISING IL-15 SUPERAGONISTS	Not Available	26- May- 17	25- May- 18	21- May- 20
US20200155 660	COMPOSITIONS AND METHODS FOR MODIFIED DENDRIMER NANOPARTICLE DELIVERY	Not Available	23- Sep- 15	22- Nov- 19	21- May- 20
US20200155 646	EV576 For Use in the Treatment of Viral Infections of the Respiratory Tract	Volusion Immuno Pharmaceuticals SA	8- Jan- 10	7- Jun- 19	21- May- 20
US20200149 062	ENGINEERED TSC2	Not Available	14- Jul-17	13- Jul- 18	14- May- 20
US20200149 048	Transbiotic Regulation of Bacterial Gene Expression	Not Available	22- May- 17	22- May- 18	14- May- 20
US20200148 749	ANTIBODIES AND PROCESSES FOR PREPARING THE SAME	Not Available	16- May- 08	10- Oct- 19	14- May- 20
US20200147 203	VACCINATION OF IMMUNOCOMPROMISED SUBJECTS	Not Available	26- Sep- 14	10- Jan- 20	14- May- 20
US20200147 193	COMPOSITIONS AND METHODS FOR TUMOR VACCINATION AND IMMUNOTHERAPY INVOLVING HER ANTIGENS	Not Available	2- Jun- 17	2- Jun- 18	14- May- 20
US20200147 171	COMPOSITIONS OF CRACC FUSIONS AND METHODS FOR MODULATING AN IMMUNE RESPONSE AGAINST CANCERS, INFECTIONS DISEASES AND DISORDERS	Not Available	18- Sep- 18	18- Sep- 19	14- May- 20
US20200140 547	MULTIFUNCTIONAL ANTIBODY-LIGAND TRAPS TO MODULATE IMMUNE TOLERANCE	Not Available	26- May- 17	25- May- 18	7- May- 20
US20200140 493	Engineering Virus-like Nanocarriers for Biomolecule Delivery	Not Available	26- Oct- 18	25- Oct- 19	7- May- 20
US20200140 398	HUMAN HELICASE DDX3 INHIBITORS AS THERAPEUTIC AGENTS	AZIENDA OSPEDALIERA UNIVERSITARIA SENESE	13- Feb- 15	6- Jan- 20	7- May- 20

US20200138 937	Genetically Attenuated Nucleic Acid Vaccine	Not Available	2- Jun- 17	1- Jun- 18	7- May- 20
US20200138 936	Phenotypically Wild-Type and Genetically Attenuated Viruses	Not Available	2- Jun- 17	1- Jun- 18	7- May- 20
US20200138 818	METHODS OF TREATING PAIN AND/OR INFLAMMATORY DISORDERS USING LAPATINIB	Not Available	7- Nov- 18	6- Nov- 19	7- May- 20
US20200138 780	METHODS FOR TREATING PULMONARY EMPHYSEMA USING SUBSTITUTED 2-AZA-BICYCLO[2.2.1]HEPTANE-3-CARBOXYLIC ACID (BENZYL-CYANO-METHYL)-AMIDES INHIBITORS OF CATHEPSIN C	Not Available	14- Mar- 13	19- Dec- 19	7- May- 20
US20200131 518	CONTROL OF TOTAL AFUCOSYLATED GLYCOFORMS OF ANTIBODIES PRODUCED IN CELL CULTURE	Not Available	14- Mar- 17	14- Mar- 18	30- Apr- 20
US20200129 487	CHEMOTHERAPY FOR CANCER USING AZABICYCLO COMPOUND	TAIHO PHARMACEUTICAL CO., LTD.	30- Jun- 17	29- Jun- 18	30- Apr- 20
US20200127 954	RNA TARGETING METHODS AND COMPOSITIONS	Salk Institute for Biological Studies	22- Aug- 17	31- Dec- 18	23- Apr- 20
US20200124 599	ACCURATE, RAPID AND CONVENIENT SINGLE-STEP DISEASE DIAGNOSTIC METHOD USING SELF-AMPLIFICATION PRINCIPLE OF DETECTION SIGNAL	CELLEMEDY CO., LTD	13- Apr- 17	13- Apr- 18	23- Apr- 20
US20200123 233	AMINO ACID SEQUENCES DIRECTED AGAINST ENVELOPE PROTEINS OF A VIRUS AND POLYPEPTIDES COMPRISING THE SAME FOR THE TREATMENT OF VIRAL DISEASES	Ablynx N.V.	5- Jun- 08	1- Aug- 19	23- Apr- 20
US20200123 205	Inhibition Of TCR Signaling With Peptide Variants	Not Available	22- Oct- 18	18- Dec- 19	23- Apr- 20
US20200123 203	COMPOSITIONS COMPRISING CURONS AND USES THEREOF	FLAGSHIP PIONEERING INNOVATIONS V, INC.	13- Jun- 17	13- Jun- 18	23- Apr- 20
US20200115 448	CELLS EXPRESSING CHIMERIC ACTIVATING RECEPTORS AND CHIMERIC STIMULATING RECEPTORS AND USES THEREOF	Not Available	26- Apr- 17	22- Oct- 19	16- Apr- 20
US20200115 434	ANTIBODY/T-CELL RECEPTOR CHIMERIC CONSTRUCTS AND USES THEREOF	Not Available	23- Oct- 15	29- Oct- 19	16- Apr- 20
US20200113 996	CHIMERIC VIRUS-LIKE PARTICLES AND USES THEREOF AS ANTIGEN-SPECIFIC REDIRECTORS OF IMMUNE RESPONSES	Not Available	23- Jun- 17	21- Jun- 18	16- Apr- 20
US20200113 967	PEPTIDES AND USES THEREFOR AS ANTIVIRAL AGENTS	Not Available	26- May- 17	26- May- 17	16- Apr- 20
US20200113 831	LIPOSOMES HAVING USEFUL N:P RATIO FOR DELIVERY OF RNA MOLECULES	GLAXOSMITHKLINE BIOLOGICALS SA	6-Jul- 11	16- Dec- 19	16- Apr- 20
US20200113 830	PEGYLATED LIPOSOMES FOR DELIVERY OF IMMUNOGEN-ENCODING RNA	GLAXOSMITHKLINE BIOLOGICALS S.A.	31- Aug- 11	16- Dec- 19	16- Apr- 20
US20200109 403	IN VIVO DELIVERY OF OLIGONUCLEOTIDES	Not Available	12- Dec- 11	18- Dec- 19	9- Apr- 20
US20200108 136	METHODS AND COMPOSITIONS FOR LIVE ATTENUATED VIRUSES	Not Available	6- Apr- 07	22- Nov- 19	9- Apr- 20
US20200102 558	TRANSKINGDOM PLATFORM FOR THERAPEUTIC NUCLEIC ACID DELIVERY	Not Available	3- Apr- 17	3- Oct- 19	2- Apr- 20
US20200102 550	TAL EFFECTOR-MEDIATED DNA MODIFICATION	Not Available	10- Dec- 09	28- Aug- 19	2- Apr- 20
US20200102 544	POXVIRUS-PLASMODIUM RECOMBINANTS, COMPOSITIONS CONTAINING SUCH RECOMBINANTS, USES THEREOF, AND METHODS OF MAKING AND USING THE SAME	Not Available	30- Dec- 13	11- Sep- 19	2- Apr- 20
US20200102 362	TUMOR NECROSIS FACTOR RECEPTOR (TNFR) BINDING PROTEIN COMPLEX WITH IMPROVED BINDING AND BIOACTIVITY	Not Available	6- Apr- 17	5- Apr- 18	2- Apr- 20
US20200102 292	SUBSTITUTED BENZOFURANYL AND BENZOAZOLYL COMPOUNDS AND USES THEREOF	Not Available	3-Jul- 13	10- Jul- 19	2- Apr- 20
US20200101 158	ANTI-TIGIT ANTIGEN-BINDING PROTEINS AND METHODS OF USE THEREOF	Not Available	1- Oct- 15	22- Oct- 19	2- Apr- 20
US20200101 153	MVA-BN AND AD26.ZEBOV OR AD26.FILO PRIME-BOOST REGIMEN	Not Available	6- Apr- 17	6- Apr- 18	2- Apr- 20
US20200101 142	PDE5 COMPOSITIONS AND METHODS FOR IMMUNOTHERAPY	Not Available	12- Jun- 17	12- Jun- 18	2- Apr- 20

US20200101119	METHODS OF TREATMENT OF INFECTIONS USING BACTERIA	Not Available	27-Sep-18	26-Sep-19	2-Apr-20
US20200101087	PHARMACEUTICAL COMPOSITIONS AND METHODS	Not Available	3-Aug-15	21-Nov-19	2-Apr-20
US20200100480	TRAIT SELECTION IN AVIANS	Not Available	31-May-17	31-May-18	2-Apr-20
US20200095324	ANTI-TIGIT ANTIGEN-BINDING PROTEINS AND METHODS OF USE THEREOF	Not Available	30-Mar-17	30-Mar-18	26-Mar-20
US20200093919	MODIFIED PEDV SPIKE PROTEIN	Not Available	20-Sep-18	18-Sep-19	26-Mar-20
US20200093909	PLASMODIUM SPOROZOITE NPDP PEPTIDES AS VACCINE AND TARGET NOVEL MALARIA VACCINES AND ANTIBODIES BINDING TO	Not Available	19-Apr-17	19-Apr-18	26-Mar-20
US20200093855	ENHANCED IMMUNE RESPONSE UPON TREATMENT WITH NITRIC OXIDE	Not Available	11-Sep-17	3-Jun-19	26-Mar-20
US20200093841	Broad Spectrum Antiviral and Methods of Use	Not Available	17-Apr-06	30-Apr-19	26-Mar-20
US20200087655	PURIFICATION OF NUCLEIC ACIDS USING COPPER-TITANIUM OXIDES	Not Available	14-Jul-15	22-Nov-19	19-Mar-20
US20200087646	OPTIMIZED HUMAN CLOTTING FACTOR IX GENE EXPRESSION CASSETTES AND THEIR USE	Not Available	31-May-17	31-May-18	19-Mar-20
US20200087630	INFLUENZA VIRUS AND TYPE 1 DIABETES	Istituto Zooprofilattico Sperimentale delle Venezie	10-Oct-12	25-Jul-19	19-Mar-20
US20200087359	GRIFFITHSIN MUTANTS	The United States of America, as represented by the Secretary, Department of Health and Human Services	10-Feb-15	27-Nov-19	19-Mar-20
US20200087313	NUCLEAR TRANSPORT MODULATORS AND USES THEREOF	Not Available	29-Jul-11	25-Apr-19	19-Mar-20
US20200087298	Imidazo[4,5-c] Ring Compounds Containing Guanidine Substituted Benzamide Groups	Not Available	1-Mar-17	27-Feb-18	19-Mar-20
US20200087280	QUINAZOLINONES AND AZAQUINAZOLINONES AS UBIQUITIN-SPECIFIC PROTEASE 7 INHIBITORS	Not Available	5-Feb-15	25-Nov-19	19-Mar-20
US20200086324	DEVICES AND METHODS FOR NUCLEIC ACID EXTRACTION	Not Available	30-Jun-16	27-Dec-18	19-Mar-20
US20200085984	APPARATUS, METHOD AND SYSTEM FOR SELECTIVELY AFFECTING AND/OR KILLING A VIRUS	THE TRUSTEES OF COLUMBIA UNIVERSITY IN THE CITY OF NEW YORK	7-Mar-11	25-Nov-19	19-Mar-20
US20200085947	VISTA MODULATORS FOR DIAGNOSIS AND TREATMENT OF CANCER	Not Available	7-Sep-12	14-May-19	19-Mar-20
US20200085943	PHARMACEUTICAL COMPOSITION COMPRISING A POLYMERIC CARRIER CARGO COMPLEX AND AT LEAST ONE PROTEIN OR PEPTIDE ANTIGEN	CureVac AG	31-Jan-12	29-Aug-19	19-Mar-20
US20200085872	IMMUNE CELLS EXPRESSING ENGINEERED ANTIGEN RECEPTORS	Not Available	19-Apr-17	19-Apr-18	19-Mar-20
US20200085852	EPIDERMAL MRNA VACCINE	Not Available	5-Aug-15	5-Aug-16	19-Mar-20
US20200085756	NANOPARTICLE VACCINE ADJUVANT AND METHODS OF USE THEREOF	Not Available	14-Sep-18	12-Jul-19	19-Mar-20
US20200080141	METHODS AND COMPOSITIONS FOR ENRICHMENT OF AMPLIFICATION PRODUCTS	Not Available	11-Dec-13	19-Nov-19	12-Mar-20
US20200080111	Methods for Autocatalytic Genome Editing and Neutralizing Autocatalytic Genome Editing and Compositions Thereof	Not Available	18-Sep-15	19-Sep-16	12-Mar-20
US20200079820	DERIVATIVES OF AMANITA TOXINS AND THEIR CONJUGATION TO A CELL BINDING MOLECULE	Hangzhou DAC Biotech Co., Ltd.	20-Apr-16	20-Apr-16	12-Mar-20
US20200079781	Substituted 2,4 diamino-quinoline as new medicament for fibrosis, autophagy and cathepsins B (CTSB), L (CTSL) and D (CTSD) related diseases	Not Available	5-Sep-18	1-Aug-19	12-Mar-20
US20200078335	COMPOSITIONS AND METHODS TO REDUCE PATHOGENESIS	Not Available	1-May-17	1-May-18	12-Mar-20
US20200072836	MEDIA ELABORATED WITH NEWLY SYNTHESIZED ANTIBODIES (MENSA) AND USES THEREOF	Not Available	5-May-14	2-Apr-19	5-Mar-20
US20200071723	RNA-BASED DELIVERY SYSTEMS WITH LEVELS OF CONTROL	Not Available	30-Aug-18	29-Aug-19	5-Mar-20

US20200071 421	BISPECIFIC ANTIBODY	Not Available	20- Nov- 13	8- Apr- 19	5- Mar- 20
US20200069 814	CONJUGATION OF A CYTOTOXIC DRUG WITH BIS-LINKAGE	Hangzhou DAC Biotech Co., Ltd.	6- Apr- 17	6- Apr- 17	5- Mar- 20
US20200062 764	ALKYL PYRROLOPYRIMIDINE ANALOGS AND METHODS OF MAKING AND USING SAME	Not Available	17- Nov- 16	17- Nov- 17	27- Feb- 20
US20200061 187	METHODS FOR PREPARING SQUALENE	Not Available	12- May- 10	4- Nov- 19	27- Feb- 20
US20200061 185	PREFUSION CORONAVIRUS SPIKE PROTEINS AND THEIR USE	The Scripps Research Institute	25- Oct- 16	25- Oct- 17	27- Feb- 20
US20200060 981	CATIONIC NANOPARTICLES FOR ENHANCING INFECTIOUS CAPACITY OF LIVE VIRUSES	Not Available	9- Dec- 16	11- Dec- 17	27- Feb- 20
US20200056 221	METHODS FOR DIAGNOSING INFECTIOUS DISEASES USING ADSORPTION MEDIA	Not Available	8- Nov- 13	25- Oct- 19	20- Feb- 20
US20200056 159	NOVEL ADENO-ASSOCIATED VIRUS (AAV) CLADE F VECTOR AND USES THEREFOR	Not Available	28- Feb- 17	27- Feb- 18	20- Feb- 20
US20200055 927	MAST CELL STABILIZERS FOR TREATMENT OF HYPERCYTOKINEMIA AND VIRAL INFECTION	Not Available	8- Sep- 16	25- Oct- 19	20- Feb- 20
US20200055 926	MAST CELL STABILIZERS FOR TREATMENT OF HYPERCYTOKINEMIA AND VIRAL INFECTION	Not Available	8- Sep- 16	25- Oct- 19	20- Feb- 20
US20200054 731	IMMUNOMODULATORY COMPOSITIONS AND METHODS OF USE THEREOF	Not Available	7- Jan- 14	15- Jul- 19	20- Feb- 20
US20200054 660	DNA METHYLATION PROFILING FOR T-CELL IMMUNOTHERAPY	St. Jude Children's Research Hospital	9- Dec- 16	7- Dec- 17	20- Feb- 20
US20200054 259	HIGH DENSITY ANALOG MULTIPLEXING	EnLiSense, LLC	17- Aug- 18	16- Aug- 19	20- Feb- 20
US20200048 722	METHODS FOR REAL-TIME MULTIPLEX ISOTHERMAL DETECTION AND IDENTIFICATION OF BACTERIAL, VIRAL, AND PROTOZOAN NUCLEIC ACIDS	Not Available	8- May- 15	24- Aug- 19	13- Feb- 20
US20200048 649	VIRUS-LIKE PARTICLES AND USES THEREOF	Not Available	13- Mar- 17	13- Mar- 18	13- Feb- 20
US20200048 636	IMMUNISATION OF LARGE MAMMALS WITH LOW DOSES OF RNA	GLAXOSMITHKLINE BIOLOGICALS SA	6-Jul- 10	18- Oct- 19	13- Feb- 20
US20200046 865	DECONTAMINATION DEVICE AND METHOD USING ULTRASONIC CAVITATION	Not Available	29- Dec- 17	22- Aug- 19	13- Feb- 20
US20200046 826	METHODS AND COMPOSITIONS FOR IMMUNIZATION AGAINST VIRUS	Academia Sinica	27- Mar- 09	4- Jun- 19	13- Feb- 20
US20200046 692	SPECIFIC AKT3 INHIBITOR AND USES THEREOF	Not Available	15- Jan- 16	2- Oct- 19	13- Feb- 20
US20200040 408	HANDHELD NUCLEIC ACID-BASED ASSAY FOR RAPID IDENTIFICATION	Not Available	8- Feb- 16	6- May- 19	6- Feb- 20
US20200040 042	CHIMERIC MOLECULES AND USES THEREOF	Not Available	30- Mar- 17	29- Mar- 18	6- Feb- 20
US20200038 871	DEVICES, PROCESSES, AND SYSTEMS FOR DETERMINATION OF NUCLEIC ACID SEQUENCE, EXPRESSION, COPY NUMBER, OR METHYLATION CHANGES USING COMBINED NUCLEASE, LIGASE, POLYMERASE, AND SEQUENCING REACTIONS	Not Available	29- Mar- 17	29- Mar- 18	6- Feb- 20
US20200038 373	NUCLEAR TRANSPORT MODULATORS AND USES THEREOF	Not Available	9- May- 12	16- May- 19	6- Feb- 20
US20200033 343	EXOSOME-MEDIATED DIAGNOSIS OF HEPATITIS VIRUS INFECTIONS AND DISEASES	Not Available	6- Oct- 08	14- Oct- 19	30- Jan- 20
US20200032 255	METHODS AND COMPOSITIONS FOR THE TREATMENT OF CANCER OR OTHER DISEASES	Not Available	26- Jan- 07	6- Mar- 19	30- Jan- 20
US20200031 871	NOVEL DEPSIPEPTIDES AND USES THEREOF	Not Available	4- Apr- 17	30- Mar- 18	30- Jan- 20
US20200031 819	COMPOSITIONS AND METHODS FOR INHIBITING KINASES	Not Available	23- Apr- 15	26- Jun- 19	30- Jan- 20
US20200030 441	Lipidated Immune Response Modifier Compound Compositions, Formulations, and Methods	Not Available	17- Aug- 10	8- Jul- 19	30- Jan- 20

US20200030 432	ZOONOTIC DISEASE RNA VACCINES	ModernaTX, Inc.	17- Mar- 17	16- Mar- 18	30- Jan- 20
US20200030 422	COMBINATION OF VACCINATION AND OX40 AGONISTS	CureVac AG	9- Sep- 16	15- Apr- 19	30- Jan- 20
US20200024 616	NOVEL RECOMBINANT ADENO-ASSOCIATED VIRUS CAPSIDS WITH ENHANCED HUMAN PANCREATIC TROPISM	Not Available	30- Mar- 18	29- Mar- 19	23- Jan- 20
US20200024 310	NOVEL DEPSIPEPTIDE AND USES THEREOF	Not Available	3- Dec- 12	1- Aug- 19	23- Jan- 20
US20200020 420	Method for Establishing Machine Learning Model for Predicting Toxicity of siRNA to Certain Type of Cells and Application Thereof	Not Available	8- Dec- 16	7- Dec- 17	16- Jan- 20
US20200017 926	CELL-FREE NUCLEIC ACIDS FOR THE ANALYSIS OF THE HUMAN MICROBIOME AND COMPONENTS THEREOF	Not Available	7- Nov- 13	28- Aug- 19	16- Jan- 20
US20200017 832	COMPOSITIONS FOR REPROGRAMMING CELLS INTO DENDRITIC CELLS OR ANTIGEN PRESENTING CELLS, METHODS AND USES THEREOF	Not Available	5- Apr- 17	5- Apr- 18	16- Jan- 20
US20200017 588	MODULAR TETRAVALENT BISPECIFIC ANTIBODY PLATFORM	Not Available	14- Oct- 16	16- Oct- 17	16- Jan- 20
US20200017 554	SELF-ASSEMBLING PROTEIN NANOPARTICLES WITH BUILT-IN SIX-HELIX BUNDLE PROTEINS	Not Available	23- Mar- 17	22- Mar- 18	16- Jan- 20
US20200017 514	ADAMANTANE DERIVATIVES FOR THE TREATMENT OF FILOVIRUS INFECTION	Not Available	12- Jul-18	12- Jul-18	16- Jan- 20
US20200017 455	CERTAIN (2S)-N-[(1S)-1-CYANO-2-PHENYLETHYL]-1,4-OXAZEPANE-2-CARBOXAMIDES AS DIPEPTIDYL PEPTIDASE 1 INHIBITORS	Not Available	24- Jan- 14	19- Mar- 19	16- Jan- 20
US20200016 589	LOADING VIALS	Not Available	10- Nov- 11	24- Sep- 19	16- Jan- 20
US20200016 286	Production of Immune-Response-Stimulating Aerosols By Non-Thermal Plasma Treatment Of Airborne Pathogens	Not Available	13- Jul-18	12- Jul-19	16- Jan- 20
US20200016 280	Compositions For Enhancing Transport Of Molecules Into Cells	Not Available	29- Apr- 03	9- Apr- 19	16- Jan- 20
US20200016 161	METHODS FOR TREATING VIRAL DISORDERS	TRUSTEES OF BOSTON UNIVERSITY	24- Sep- 09	22- Jul- 19	16- Jan- 20
US20200010 883	METHODS AND COMPOSITIONS FOR ENRICHMENT OF AMPLIFICATION PRODUCTS	Not Available	9- Oct- 15	7- Jun- 19	9- Jan- 20
US20200010 519	NUCLEASE FUSIONS FOR ENHANCING GENOME EDITING BY HOMOLOGY-DIRECTED TRANSGENE INTEGRATION	Not Available	10- Mar- 17	9- Mar- 18	9- Jan- 20
US20200009 244	NANOPARTICLE VACCINES WITH NOVEL STRUCTURAL COMPONENTS	Not Available	13- Jun- 18	13- Jun- 19	9- Jan- 20
US20200002 674	ERYTHROID CELLS COMPRISING PHENYLALANINE HYDROXYLASE	Not Available	18- Nov- 13	16- Sep- 19	2- Jan- 20
US20200000 931	SYNTHETIC NANOPARTICLES FOR DELIVERY OF IMMUNOMODULATORY COMPOUNDS	Not Available	15- Jul-16	10- Apr- 19	2- Jan- 20
US20190391 150	COMPOSITIONS AND METHODS FOR CAPTURING EXOSOMES	Not Available	1- May- 15	10- Sep- 19	26- Dec- 19
US20190390 249	BIOLOGICAL SPECIMEN COLLECTION AND TRANSPORT SYSTEM	Longhorn Vaccines and Diagnostics, LLC	1- Oct- 07	19- Jun- 17	26- Dec- 19
US20190390 229	GENE EDITING REAGENTS WITH REDUCED TOXICITY	Not Available	21- Apr- 16	20- Apr- 17	26- Dec- 19
US20190390 179	SYNTHETIC REVERSE TRANSCRIPTASES AND USES THEREOF	Not Available	12- Apr- 16	12- Apr- 17	26- Dec- 19
US20190390 176	NOVEL RECOMBINANT ADENO-ASSOCIATED VIRUS CAPSIDS WITH ENHANCED HUMAN SKELETAL MUSCLE TROPISM	Not Available	2- Dec- 15	3- Jul- 19	26- Dec- 19
US20190389 816	ANTIVIRAL COMPOUNDS AND METHODS	Biotron Limited	26- Jun- 03	29- Aug- 19	26- Dec- 19
US20190388 473	METHODS AND COMPOSITIONS FOR IMMUNOMODULATION	Not Available	1- Apr- 14	30- Aug- 19	26- Dec- 19
US20190382 799	VIRAL METHODS OF MAKING GENETICALLY MODIFIED CELLS	Not Available	27- Oct- 16	19- Apr- 19	19- Dec- 19

US20190382 433	GLYCOLIPIDS AND PHARMACEUTICAL COMPOSITIONS THEREOF FOR USE IN THERAPY	THE UNIVERSITY OF NOTTINGHAM	4- Apr- 14	25- Jul- 19	19- Dec- 19
US20190381 180	HYBRID CARRIERS FOR NUCLEIC ACID CARGO	Not Available	9- Jun- 16	9- Jun- 17	19- Dec- 19
US20190381 162	PAN FILOVIRUS VACCINE COMPOSITIONS AND METHODS OF MAKING	Not Available	28- Mar- 16	27- Mar- 17	19- Dec- 19
US20190381 155	COMBINATION OF VACCINATION AND INHIBITION OF THE PD-1 PATHWAY	CureVac AG	22- Feb- 13	29- Aug- 19	19- Dec- 19
US20190380 995	PREVENTION AND TREATMENT OF VIRAL INFECTIONS	Not Available	2- Jun- 16	3- Jul- 19	19- Dec- 19
US20190380 891	MOBILE CLINICS	Baylor College of Medicine	12- Nov- 14	28- Aug- 19	19- Dec- 19
US20190376 151	MODIFIED OLIGONUCLEOTIDES COMPRISING THIOL FUNCTIONS AND USE THEREOF FOR DETECTING NUCLEIC ACIDS	Not Available	4- Apr- 12	8- Feb- 19	12- Dec- 19
US20190376 034	PLATELETS COMPRISING EXOGENOUS POLYPEPTIDES AND USES THEREOF	Not Available	18- Nov- 13	23- Aug- 19	12- Dec- 19
US20190375 801	HSP FUSION PROTEIN WITH ANTI-CHEMOREPELLANT AGENT FOR TREATMENT OF INFECTIOUS DISEASE	Not Available	9- Sep- 16	8- Sep- 17	12- Dec- 19
US20190374 650	COMPOSITIONS AND METHODS FOR DELIVERY OF POLYMER/BIOMACROMOLECULE CONJUGATES	Not Available	22- Feb- 17	21- Feb- 18	12- Dec- 19
US20190374 610	MEDICAL USE OF INTERFERON-LAMBDA FOR THE TREATMENT OF FIBROSIS	Not Available	20- Dec- 16	20- Dec- 17	12- Dec- 19
US20190374 576	VIRAL METHODS OF T CELL THERAPY	Not Available	27- Oct- 16	19- Apr- 19	12- Dec- 19
US20190370 834	SYSTEM FOR DETERMINING PUBLIC SENTIMENT TOWARDS PATHOGENS	Not Available	1- Jun- 18	1- Jun- 18	5- Dec- 19
US20190367 553	COMPOSITIONS AND METHODS OF MODULATING THE IMMUNE RESPONSE BY ACTIVATING ALPHA PROTEIN KINASE 1	Not Available	27- Oct- 17	26- Apr- 19	5- Dec- 19
US20190367 525	PYRROLO AND PYRAZOLOPYRIMIDINES AS UBIQUITIN-SPECIFIC PROTEASE 7 INHIBITORS	Not Available	30- Dec- 14	19- Jul- 19	5- Dec- 19
US20190367 453	CONJUGATES OF CELL BINDING MOLECULES WITH CYTOTOXIC AGENTS	HANGZHOU DAC BIOTECH CO., LTD.	12- Jul-12	13- Aug- 19	5- Dec- 19
US20190365 925	AAV VECTORS TARGETED TO THE CENTRAL NERVOUS SYSTEM	Not Available	21- Nov- 14	13- Jun- 19	5- Dec- 19
US20190365 756	PYRIMIDINE COMPOUNDS CONTAINING ACIDIC GROUPS	Not Available	4- Jun- 18	3- Jun- 19	5- Dec- 19
US20190359 990	VIRAL SYNTHETIC NUCLEIC ACID SEQUENCES AND USE THEREOF	Not Available	25- Jan- 17	25- Jan- 18	28- Nov- 19
US20190359 635	ISOTHIAZOLOPYRIMIDINONES, PYRAZOLOPYRIMIDINONES, AND PYRROLOPYRIMIDINONES AS UBIQUITIN-SPECIFIC PROTEASE 7 INHIBITORS	Not Available	5- Feb- 15	18- Jul- 19	28- Nov- 19
US20190359 629	THIENOPYRIMIDINONES AS UBIQUITIN-SPECIFIC PROTEASE 7 INHIBITORS	Not Available	5- Feb- 15	18- Jul- 19	28- Nov- 19
US20190358 335	STOMACH ACID-STABLE AND MUCIN-BINDING PROTEIN-POLYMER CONJUGATES	Not Available	12- Jan- 17	12- Jan- 18	28- Nov- 19
US20190358 312	ANTIGEN-ADJUVANT COUPLING REAGENTS AND METHODS OF USE	Not Available	19- Dec- 17	19- Dec- 18	28- Nov- 19
US20190358 304	ORAL DELIVERY OF ANGIOTENSIN CONVERTING ENZYME 2 (ACE2) OR ANGIOTENSIN-(1-7)-BIOENCAPSULATED IN PLANT CELLS ATTENUATES PULMONARY HYPERTENSION, CARDIAC DYSFUNCTION AND DEVELOPMENT OF AUTOIMMUNE AND EXPERIMENTALLY INDUCED OCULAR DISORDERS	Not Available	18- Oct- 13	29- May- 19	28- Nov- 19
US20190358 170	Lipids and Lipid Compositions for the Delivery of Active Agents	Not Available	19- Dec- 13	12- Aug- 19	28- Nov- 19
US20190352 639	GENOME EDITING REAGENTS AND THEIR USE	Not Available	10- Feb- 17	12- Feb- 18	21- Nov- 19
US20190352 615	METHOD FOR PURIFYING VIRUS	Not Available	22- Dec- 16	21- Dec- 17	21- Nov- 19



US20190352 608	CD137 ENRICHMENT FOR EFFICIENT TUMOR INFILTRATING LYMPHOCYTE SELECTION	Not Available	16- Sep- 13	30- Jan- -19	21- Nov- -19
US20190352 357	HELIX-GRAFTED PROTEINS AS INHIBITORS OF DISEASE-RELEVANT PROTEIN-PROTEIN INTERACTIONS	Colorado State University Research Foundation	7- Nov- 14	7- Aug- -19	21- Nov- -19
US20190346 443	EXOSOME-MEDIATED DIAGNOSIS OF HEPATITIS VIRUS INFECTIONS AND DISEASES	Not Available	6- Oct- 08	28- Jun- -19	14- Nov- -19
US20190345 504	ARTIFICIAL NUCLEIC ACID MOLECULES	CureVac AG	30- Dec- 14	26- Jul- -19	14- Nov- -19
US20190345 503	CIRCULAR RNAs AND THEIR USE IN IMMUNOMODULATION	Not Available	20- Jun- 16	15- Jun- -17	14- Nov- -19
US20190345 481	PURIFICATION OF NUCLEIC ACIDS USING METAL-TITANIUM OXIDES	Not Available	14- Jul-15	5- Jul-19	14- Nov- -19
US20190345 221	BROAD SPECTRUM VACCINE, PREPARING METHOD AND APPLICATION THEREOF	Tianjin Dongya Biological Technology Co., Ltd.	9- May- 18	9- May- -18	14- Nov- -19
US20190345 166	COMPOUNDS AND COMPOSITIONS AS TOLL-LIKE RECEPTOR 7 AGONISTS	Not Available	1- May- 14	24- Jul- -19	14- Nov- -19
US20190343 862	DELIVERY OF RNA TO TRIGGER MULTIPLE IMMUNE PATHWAYS	GLAXOSMITHKLINE BIOLOGICALS, SA	6-Jul-10	16- Jul- -19	14- Nov- -19
US20190337 990	POLYPEPTIDES FOR ENGINEERING INTEGRASE CHIMERIC PROTEINS AND THEIR USE IN GENE THERAPY	Not Available	13- Feb- 15	5- Jun- -19	7- Nov- -19
US20190336 969	PARALLELIZED SAMPLE HANDLING	Not Available	19- Apr- 13	27- Mar- -19	7- Nov- -19
US20190336 611	HYBRID CARRIERS FOR NUCLEIC ACID CARGO	CureVac AG	9- Jun- 16	9- Jun- -17	7- Nov- -19
US20190336 608	CATIONIC CARRIERS FOR NUCLEIC ACID DELIVERY	CureVac AG	9- Jun- 16	9- Jun- -17	7- Nov- -19
US20190336 597	METHODS OF GENERATING ROBUST PASSIVE AND ACTIVE IMMUNE RESPONSES	Not Available	8- Jan- 13	17- May- -19	7- Nov- -19
US20190336 456	USE OF XIBORNOL AS ACTIVE AGENT IN THE TREATMENT OF VIRAL INFECTIONS	ABIOTEN PHARMA S.P.A.	15- Jul-16	13- Jul- 17	7- Nov- -19
US20190330 618	ENZYMATIC ENCODING METHODS FOR EFFICIENT SYNTHESIS OF LARGE LIBRARIES	Not Available	1- Dec- 05	22- Jan- -19	31- Oct- 19
US20190330 572	CLEANING COMPOSITION, METHOD OF MAKING AND USE THEREOF	Not Available	8- Sep- 16	21- Jun- -19	31- Oct- 19
US20190330 245	Boron-Containing Small Molecules	Anacor Pharmaceuticals, Inc.	16- Feb- 05	12- Jul- -19	31- Oct- 19
US20190330 187	Chemical Compounds	Not Available	18- Mar- 14	10- May- -19	31- Oct- 19
US20190330 164	HYDRAZIDE CONTAINING NUCLEAR TRANSPORT MODULATORS AND USES THEREOF	Not Available	29- Jul-11	28- Nov- -18	31- Oct- 19
US20190330 149	CONJUGATES OF CELL BINDING MOLECULES WITH CYTOTOXIC AGENTS	HANGZHOU DAC BIOTECH CO., LTD.	12- Jul-12	9- May- -19	31- Oct- 19
US20190328 869	IMMUNOTHERAPEUTIC PRODUCT AND MDSC MODULATOR COMBINATION THERAPY	Transgene SA	10- Oct- 16	10- Oct- -17	31- Oct- 19
US20190328 865	IMMUNOGENIC COMPOSITION FOR MERS CORONAVIRUS INFECTION	Not Available	28- Jul-14	17- Nov- -17	31- Oct- 19
US20190328 804	AAV Vectors Targeted to Oligodendrocytes	Not Available	28- Sep- 12	15- Jul- -19	31- Oct- 19
US20190323 068	PCR Ready Compositions and Methods for Screening Biological Samples	Longhorn Vaccines and Diagnostics, LLC	12- Sep- 06	28- Jun- -19	24- Oct- 19
US20190322 989	PRODUCTION OF VIRUSES IN CELL CULTURE	Not Available	24- Nov- 15	25- Jan- -19	24- Oct- 19
US20190322 725	COMPOSITIONS COMPRISING AAV EXPRESSING DUAL ANTIBODY CONSTRUCTS AND USES THEREOF	Not Available	13- May- 14	2- Jul- -19	24- Oct- 19
US20190321 481	IMMUNOMODULATORY COMPOSITIONS, PROCESSES FOR MAKING THE SAME, AND METHODS FOR INHIBITING CYTOKINE STORMS	NantBio, Inc.	11- Nov- 16	9- Nov- -17	24- Oct- 19
US20190321 403	ENGINEERED B CELLS AND RELATED COMPOSITIONS AND METHODS	Juno Therapeutics, Inc.	2- Dec- 16	30- Nov- -17	24- Oct- 19



US20190316 109	COMPOSITION COMPRISING A GENE VECTOR THAT SELECTIVELY DEPLETES P16 POSITIVE SENESCENT CELLS	Not Available	17- Apr- 12	10- Jun- 19	17- Oct- 19
US20190316 091	ERYTHROID CELLS COMPRISING ARGINASE	Not Available	18- Nov- 13	30- May- 19	17- Oct- 19
US20190316 090	ERYTHROID CELLS COMPRISING ARGININE DEIMINASE	RUBIUS THERAPEUTICS, INC.	18- Nov- 13	30- May- 19	17- Oct- 19
US20190316 089	SYNTHETIC MEMBRANE-RECEIVER COMPLEXES	Not Available	18- Nov- 13	10- May- 19	17- Oct- 19
US20190315 840	ANTI-DENGUE VIRUS ANTIBODIES, POLYPEPTIDES CONTAINING VARIANT FC REGIONS, AND METHODS OF USE	Not Available	16- Sep- 16	10- Jun- 19	17- Oct- 19
US20190315 807	VIRUS-LIKE PARTICLES WITH HIGH-DENSITY COATING FOR INDUCING THE EXPRESSION OF ANTIBODIES	Not Available	27- Jul-16	26- Jul- 17	17- Oct- 19
US20190314 496	POLYMERIC CARRIER CARGO COMPLEX FOR USE AS AN IMMUNOSTIMULATING AGENT OR AS AN ADJUVANT	CureVac AG	1- Apr- 14	18- Jun- 19	17- Oct- 19
US20190314 483	Vaccines Including Antigen From Four Strains of Influenza Virus	Not Available	6- Dec- 06	30- Nov- 18	17- Oct- 19
US20190314 482	VACCINES AGAINST INFECTIOUS DISEASES CAUSED BY POSITIVE STRANDED RNA VIRUSES	Medigen, Inc.	28- Nov- 16	21- Nov- 17	17- Oct- 19
US20190314 480	IMMUNOGENIC COMPOSITIONS AND USES THEREOF	Not Available	25- Mar- 15	23- Apr- 19	17- Oct- 19
US20190314 471	MOLECULAR VACCINES FOR INFECTIOUS DISEASE	Not Available	2- Oct- 08	27- Jun- 19	17- Oct- 19
US20190314 455	CYTOKINE CONJUGATES FOR THE TREATMENT OF PROLIFERATIVE AND INFECTIOUS DISEASES	Not Available	3- Aug- 17	7- Jun- 19	17- Oct- 19
US20190314 372	PYRIMIDINE COMPOUNDS CONTAINING ACIDIC GROUPS	Not Available	5- Dec- 16	25- Mar- 19	17- Oct- 19
US20190310 168	AIRBORNE AGENT COLLECTORS, METHODS, SYSTEMS AND DEVICES FOR MONITORING AIRBORNE AGENTS	Not Available	22- Jul-14	4- Mar- 19	10- Oct- 19
US20190309 357	CRISPR EFFECTOR SYSTEM BASED DIAGNOSTICS	MASSACHUSETTS INSTITUTE OF TECHNOLOGY	9- Dec- 16	25- Feb- 19	10- Oct- 19
US20190309 262	ERYTHROID CELLS COMPRISING SERINE DEHYDRATASE	Not Available	18- Nov- 13	4- Jun- 19	10- Oct- 19
US20190309 261	ERYTHROID CELLS COMPRISING LYSINE OXIDASE	Not Available	18- Nov- 13	4- Jun- 19	10- Oct- 19
US20190309 048	Optimized Human Clotting Factor VIII Gene Expression Cassettes and Their Use	Not Available	6- Feb- 15	20- May- 19	10- Oct- 19
US20190309 039	CRYPTIC POLYPEPTIDES AND USES THEREOF	Not Available	29- Jan- 15	22- Apr- 19	10- Oct- 19
US20190308 980	PYRROLOTRIAZINONES AND IMIDAZOTRIAZINONES AS UBIQUITIN-SPECIFIC PROTEASE 7 INHIBITORS	Not Available	30- Dec- 14	24- Jun- 19	10- Oct- 19
US20190308 969	HETEROCYCLIC MODULATORS OF LIPID SYNTHESIS	Not Available	11- Nov- 16	13- Nov- 17	10- Oct- 19
US20190308 943	3,5-DIAMINO-6-CHLORO-N-(N-(4-PHENYLBUTYL)CARBAMIMIDOYL) PYRAZINE-2- CARBOXAMIDE COMPOUNDS	Parion Sciences, Inc.	17- Dec- 12	13- Mar- 19	10- Oct- 19
US20190307 878	IMMUNE COMPLEX	The Rockefeller University	20- Mar- 15	10- May- 19	10- Oct- 19
US20190307 722	ANTIVIRAL COMPOSITIONS FOR THE TREATMENT OF INFECTIONS LINKED TO CORONAVIRUSES	Not Available	21- Oct- 16	20- Oct- 17	10- Oct- 19
US20190298 824	ALBUMIN-BINDING IMMUNOMODULATORY COMPOSITIONS AND METHODS OF USE THEREOF	THE UNITED STATES OF AMERICA, as represented by the Secretary, Department of Health and Human Serv	4- May- 16	4- May- 17	3- Oct- 19
US20190298 752	METHODS FOR THE USE OF 5'-ADENOSINE DIPHOSPHATE RIBOSE (ADPR)	Invirsa, Inc.	27- Mar- 18	26- Mar- 19	3- Oct- 19
US20190298 750	Nucleotide and Nucleoside Therapeutic Compositions and Uses Related Thereto	Not Available	11- Sep- 13	21- Nov- 18	3- Oct- 19
US20190293 656	NON-RADIOACTIVE CYTOTOXICITY ASSAYS	Not Available	19- Sep- 16	19- Sep- 17	26- Sep- 19
US20190292 580	DNA LOGIC-GATED PROXIMITY ASSEMBLY CIRCUIT FOR BIOCHEMICAL SENSING	Rutgers, The State University of New Jersey	23- Mar- 18	22- Mar- 19	26- Sep- 19

US20190292 563	ADENO-ASSOCIATED VIRUS (AAV) SEROTYPE 8 SEQUENCES, VECTORS CONTAINING SAME, AND USES THEREFOR	The Trustees of the University of Pennsylvania	17- Dec- 01	8- Apr- -19	26- Sep- -19
US20190292 561	SCALABLE METHODS FOR PRODUCING RECOMBINANT ADENO- ASSOCIATED VIRAL (AAV) VECTOR IN SERUM-FREE SUSPENSION CELL CULTURE SYSTEM SUITABLE FOR CLINICAL USE	SPARK THERAPEUTICS, INC.	1- Dec- 15	1- Dec- -16	26- Sep- -19
US20190292 236	MODULATION OF IFI16 AND STING ACTIVITY	Not Available	9- Aug- 16	9- Aug- -17	26- Sep- -19
US20190292 216	Cyclic Di-Nucleotide Induction of Type I Interferon	Not Available	3- May- 13	19- Feb- -19	26- Sep- -19
US20190292 178	HOST TARGETED INHIBITORS OF DENGUE VIRUS AND OTHER VIRUSES	Dana-Farber Cancer Institute, Inc.	11- Apr- 12	26- Jan- -18	26- Sep- -19
US20190290 674	Composition for Promoting Production of Immunostimulatory Factor	Kyoto University	2- Aug- 16	31- Jul- 17	26- Sep- -19
US20190285 632	METABALOMICS AND VIRAL DIAGNOSTICS SUITE	Excision Biotherapeutics, Inc.	24- May- 16	24- May- -17	19- Sep- -19
US20190284 575	REVERSE GENETICS USING NON-ENDOGENOUS POL I PROMOTERS	Not Available	21- May- 09	30- Jan- -19	19- Sep- -19
US20190284 531	DETECTION OF T CELL EXHAUSTION OR LACK OF T CELL COSTIMULATION AND USES THEREOF	Not Available	15- May- 15	24- May- -19	19- Sep- -19
US20190284 230	ASSEMBLED GLYCOPROTEINS	Not Available	29- Sep- 16	22- Sep- -17	19- Sep- -19
US20190282 694	IMMUNOPROTECTIVE PRIMARY MESENCHYMAL STEM CELLS AND METHODS	AUTOIMMUNE TECHNOLOGIES, LLC	14- Mar- 13	30- May- -19	19- Sep- -19
US20190282 608	Method Of Treating Inflammation	Not Available	1- Apr- 10	29- May- -19	19- Sep- -19
US20190276 523	COMPOSITION AND METHODS OF TREATING B CELL DISORDERS	Not Available	2- Sep- 16	5- Sep- -17	12- Sep- -19
US20190275 519	SYSTEM FOR THE PRODUCTION OF CELLS AND/OR CELL PRODUCTS	Not Available	8- Nov- 16	8- Nov- -17	12- Sep- -19
US20190275 101	STRUCTURE OF GII.4 NOROVIRUS PROTEASE - DESIGN OF BROAD- SPECTRUM PROTEASE INHIBITORS	Not Available	5- Oct- 16	5- Oct- -17	12- Sep- -19
US20190269 694	HETEROCYCLIC MODULATORS OF LIPID SYNTHESIS	Not Available	8- Mar- 11	11- Oct- -18	5- Sep- -19
US20190269 672	Specific Akt3 Inhibitor and Uses Thereof	Not Available	15- Jan- 16	20- May- -19	5- Sep- -19
US20190264 267	PHASING	Wave Life Sciences Ltd.	25- Jul-16	24- Jul- 17	29- Aug- -19
US20190264 177	SYNTHETIC MEMBRANE-RECEIVER COMPLEXES	Not Available	18- Nov- 13	10- May- -19	29- Aug- -19
US20190263 934	FC VARIANTS WITH ENHANCED BINDING TO FCRN AND PROLONGED HALF-LIFE	Not Available	26- Jan- 18	25- Jan- -19	29- Aug- -19
US20190262 448	Cationic Oil-In-Water Emulsions	GLAXOSMITHKLINE BIOLOGICALS, SA	18- Sep- 11	7- Mar- -19	29- Aug- -19
US20190262 371	METHODS AND COMPOSITION FOR THE TREATMENT OF RNA VIRAL INFECTIONS	Not Available	20- Oct- 16	20- Oct- -17	29- Aug- -19
US20190256 585	ANTIBODY SPECIFICALLY BINDING TO AN ISOLATED PEPTIDE DERIVED FROM VIMENTIN OR A FRAGMENT BINDING TO THE PEPTIDE	Not Available	10- Jun- 15	10- Jun- -16	22- Aug- -19
US20190256 579	MIDDLE EAST RESPIRATORY SYNDROME CORONAVIRUS IMMUNOGENS, ANTIBODIES, AND THEIR USE	The U.S.A., as represented by the Secretary, Department of Health and Human Services	24- Feb- 15	3- May- -19	22- Aug- -19
US20190255 085	METHODS FOR TREATING ARENAVIRIDAE AND CORONAVIRIDAE VIRUS INFECTIONS	Not Available	16- Sep- 15	1- Feb- -19	22- Aug- -19
US20190254 968	OIL-IN-WATER EMULSIONS THAT CONTAIN NUCLEIC ACIDS	GLAXOSMITHKLINE BIOLOGICALS S.A.	6-Jul- 11	2- May- -19	22- Aug- -19
US20190250 153	MULTI-CONFIGURABLE SENSING ARRAY AND METHODS OF USING SAME	Board of Regents, The University of Texas System	20- Oct- 16	19- Oct- -17	15- Aug- -19
US20190248 883	HUMAN MONOCLONAL ANTIBODIES AGAINST INTERLEUKIN 8 (IL-8)	Not Available	16- Dec- 02	20- Feb- -19	15- Aug- -19
US20190248 866	POLYPEPTIDES AND USES THEREOF FOR TREATMENT OF AUTOIMMUNE DISORDERS AND INFECTION	Not Available	30- Jun- 11	30- Apr- -18	15- Aug- -19

US20190248 865	ANTIBODY/T-CELL RECEPTOR CHIMERIC CONSTRUCTS AND USES THEREOF	Not Available	23- Oct- 15	21- Oct- 16	15- Aug- 19
US20190247 529	METHOD AND SYSTEM FOR DECONTAMINATING SMALL ENCLOSURES	Not Available	29- Dec- 17	23- Apr- 19	15- Aug- 19
US20190247 489	ADJUVANTED INFLUENZA B VIRUS VACCINES FOR PEDIATRIC PRIMING	Not Available	20- Oct- 11	16- Nov- 18	15- Aug- 19
US20190247 485	Dimethyl Fumarate and Vaccination Regimens	Biogen MA Inc.	14- Mar- 14	23- Apr- 19	15- Aug- 19
US20190247 440	METHODS AND COMPOSITIONS FOR IMMUNOMODULATION	Not Available	1- Apr- 14	12- Apr- 19	15- Aug- 19
US20190247 367	TREATMENT OF INFECTIOUS DISEASES	CHILDREN'S MEDICAL CENTER CORPORATION	26- Jan- 15	23- Apr- 19	15- Aug- 19
US20190241 646	ANTI-PNEUMOCOCCAL HYPERIMMUNE GLOBULIN FOR THE TREATMENT AND PREVENTION OF PNEUMOCOCCAL INFECTION	Not Available	15- Mar- 17	15- Apr- 19	8- Aug- 19
US20190241 618	INHIBITION OF TCR SIGNALING WITH PEPTIDE VARIANTS	Not Available	30- Sep- 09	22- Oct- 18	8- Aug- 19
US20190240 317	HPIV3 RNA VACCINES	ModernaTX, Inc.	22- Oct- 15	28- Mar- 19	8- Aug- 19
US20190233 447	PROTEIN PROXIMITY ASSAY IN FORMALIN FIXED PARAFFIN EMBEDDED TISSUE USING CAGED HAPTENS	Not Available	28- Aug- 15	25- Feb- 19	1- Aug- 19
US20190232 282	METHODS AND COMPOSITIONS FOR DETECTING ANALYTES	Not Available	23- Sep- 16	20- Sep- 17	1- Aug- 19
US20190231 004	MASK	NBC MESHTEC INC.	17- Oct- 16	13- Oct- 17	1- Aug- 19
US20190225 986	GENE TRANSFER INTO AIRWAY EPITHELIAL STEM CELL BY USING LENTIVIRAL VECTOR PSEUDOTYPED WITH RNA VIRUS OR DNA VIRUS SPIKE PROTEIN	Not Available	28- Oct- 05	30- Nov- 18	25- Jul- 19
US20190225 971	METHOD OF INCREASING THE REPLICATION OF A CIRCULAR DNA MOLECULE	Not Available	10- Aug- 15	4- Aug- 16	25- Jul- 19
US20190224 339	COMPOSITIONS FOR THE TREATMENT OF DISEASE	Not Available	29- Apr- 16	28- Apr- 17	25- Jul- 19
US20190223 445	ANTIMICROBIAL GEOPOLYMER COMPOSITIONS	Not Available	14- Jul- 16	13- Jul- 17	25- Jul- 19
US20190220 524	DETERMINING EXPLANATIONS FOR PREDICTED LINKS IN KNOWLEDGE GRAPHS	Not Available	16- Jan- 18	29- Mar- 18	18- Jul- 19
US20190219 563	Assay for Detecting TH1 and TH2 Cell Populations	Not Available	16- May- 14	17- Dec- 18	18- Jul- 19
US20190218 574	METHOD OF INCREASING THE FUNCTION OF AN AAV VECTOR	The Trustees of the University of Pennsylvania	2- Oct- 07	28- Mar- 19	18- Jul- 19
US20190218 277	ANTI-DENGUE VIRUS ANTIBODIES, POLYPEPTIDES CONTAINING VARIANT FC REGIONS, AND METHODS OF USE	Not Available	16- Sep- 16	15- Sep- 17	18- Jul- 19
US20190218 207	3-(Pyridin-3-yl)-Acrylamide and N-(Pyridin-3-yl)-Acrylamide Derivatives and Their Use as PAK or NAMPT Modulators	Not Available	17- Aug- 15	17- Aug- 16	18- Jul- 19
US20190216 951	METHOD FOR INCREASING EXPRESSION OF RNA-ENCODED PROTEINS	CureVac AG	21- Aug- 13	1- Apr- 19	18- Jul- 19
US20190216 917	HMPV RNA VACCINES	ModernaTX, Inc.	22- Oct- 15	28- Mar- 19	18- Jul- 19
US20190216 915	TRANSGENIC VERO-CD4/CCR5 CELL LINE	Not Available	2- Oct- 15	15- Feb- 19	18- Jul- 19
US20190216 841	Regimens and Compositions for AAV-Mediated Passive Immunization of Airborne Pathogens	Not Available	20- Apr- 11	20- Mar- 19	18- Jul- 19
US20190211 361	COMPOSITIONS COMPRISING CURONS AND USES THEREOF	Not Available	13- Jun- 17	27- Mar- 19	11- Jul- 19
US20190211 355	DNA MOLECULES PRODUCING CUSTOM DESIGNED REPLICATING AND NON-REPLICATING NEGATIVE STRANDED RNA VIRUSES AND USES THERE OF	Not Available	5- Jan- 15	4- Jan- 16	11- Jul- 19
US20190211 024	SMALL MOLECULES HAVING ANTIVIRAL PROPERTIES	General Research Laboratory	19- Aug- 16	19- Aug- 17	11- Jul- 19

US20190209 678	MANUFACTURE OF SURFACTANT-CONTAINING COMPOSITIONS WITH ENHANCED STABILITY	Not Available	2- Dec- 14	12- Mar- -19	11- Jul- 19
US20190209 604	OLIGONUCLEOTIDES, COMPOSITIONS AND METHODS THEREOF	WAVE LIFE SCIENCES LTD.	3- Jun- -16	2- Jun- -17	11- Jul- 19
US20190207 890	RNA TARGETING METHODS AND COMPOSITIONS	Salk Institute for Biological Studies	22- Aug- -17	31- Dec- -18	4- Jul- 19
US20190204 330	APPLICATION OF CLICK CHEMISTRY FOR SIGNAL AMPLIFICATION IN IHC AND ISH ASSAYS	Not Available	28- Jun- -16	19- Dec- -18	4- Jul- 19
US20190203 268	LOOP-MEDIATED ISOTHERMAL AMPLIFICATION (LAMP) BASED ASSAY FOR DETECTING MICROBES	Not Available	2- Jan- -18	31- Dec- -18	4- Jul- 19
US20190203 186	PRODUCTION OF VIRUSES IN AVIAN EGGS	Not Available	24- Nov- -15	25- Jan- -19	4- Jul- 19
US20190203 170	Avian Cells for Improved Virus Production	Not Available	5- Jun- -13	21- Dec- -18	4- Jul- 19
US20190202 929	COMPOSITIONS AND METHODS FOR IDENTIFICATION, ASSESSMENT, PREVENTION, AND TREATMENT OF AML USING USP10 BIOMARKERS AND MODULATORS	Not Available	20- Sep- -16	20- Sep- -17	4- Jul- 19
US20190202 868	CORONAVIRUS PROTEINS AND ANTIGENS	Phibro Animal Health Corporation	7- Feb- -14	15- Mar- -19	4- Jul- 19
US20190202 854	ENANTIOMERS OF THE 1',6'-ISOMER OF NEPLANOCIN A	Not Available	4- Aug- -14	8- Mar- -19	4- Jul- 19
US20190201 565	DECONTAMINATION DEVICE AND METHOD USING ULTRASONIC CAVITATION	Not Available	29- Dec- -17	11- Sep- -18	4- Jul- 19
US20190201 564	DECONTAMINATION DEVICE AND METHOD USING ULTRASONIC CAVITATION	Not Available	29- Dec- -17	29- Dec- -17	4- Jul- 19
US20190201 552	Aptamer Compositions and Methods of Use Thereof	Not Available	28- Dec- -17	28- Dec- -18	4- Jul- 19
US20190201 433	2'-SUBSTITUTED-N6-SUBSTITUTED PURINE NUCLEOTIDES FOR RNA VIRUS TREATMENT	Atea Pharmaceuticals, Inc.	7- Sep- -16	5- Mar- -19	4- Jul- 19
US20190201 352	DESIGN, SYNTHESIS AND METHODS OF USE OF ACYCLIC FLEXMIER NUCLEOSIDE ANALOGUES HAVING ANTI-CORONAVIRUS ACTIVITY	Not Available	30- Jan- -15	12- Mar- -19	4- Jul- 19
US20190201 337	HYDROPHILIC FILTRATION DURING MANUFACTURE OF VACCINE ADJUVANTS	Not Available	3- Dec- -09	3- Jan- -19	4- Jul- 19
US20190194 728	Systemic inflammatory and pathogen biomarkers and uses therefor	Not Available	24- Aug- -16	24- Aug- -17	27- Jun- 19
US20190194 717	METHOD AND KIT FOR DETECTING PATHOGENIC MICROORGANISM	JAPAN SCIENCE AND TECHNOLOGY AGENCY	5- Sep- -16	4- Sep- -17	27- Jun- 19
US20190194 628	METHODS FOR PRODUCING VIRUS FOR VACCINE PRODUCTION	Takeda Pharmaceutical Company Limited	1- Sep- -16	1- Sep- -17	27- Jun- 19
US20190194 322	IDENTIFICATION OF VSIG3/VISTA AS A NOVEL IMMUNE CHECKPOINT AND USE THEREOF FOR IMMUNOTHERAPY	BIO-TECHNE CORPORATION	3- Aug- -16	3- Aug- -17	27- Jun- 19
US20190194 299	MIDDLE EAST RESPIRATORY SYNDROME CORONAVIRUS NEUTRALIZING ANTIBODIES AND METHODS OF USE THEREOF	Not Available	25- Apr- -14	19- Nov- -18	27- Jun- 19
US20190194 226	FUSED [1,2]IMIDAZO[4,5-C] RING COMPOUNDS SUBSTITUTED WITH GUANIDINO GROUPS	Not Available	26- Aug- -16	1- Aug- -17	27- Jun- 19
US20190194 150	COMPOUNDS AND METHODS FOR MODULATING RNA FUNCTION	Arrakis Therapeutics, Inc.	1-Jul- 16	30- Jun- -17	27- Jun- 19
US20190192 691	REGULATED BIO-CIRCUIT SYSTEMS	Not Available	11- Apr- -16	11- Apr- -17	27- Jun- 19
US20190192 581	Methods of Populating a Gastrointestinal Tract	Not Available	4- Feb- -13	1- Aug- -18	27- Jun- 19
US20190187 151	ASSAY FOR QUANTITATION OF PROTEINS AND PEPTIDES USING STABLE ISOTOPE STANDARDS	UVic Industry Partnerships Inc.	6- Jun- -16	7- Apr- -17	20- Jun- 19
US20190187 130	COLORS FOR CHROMOGENIC IHC AND ISH STAINING WITH MULTI-DYE QUINONE METHIDE AND TYRAMIDE CONJUGATES	Not Available	28- Jun- -16	19- Dec- -18	20- Jun- 19
US20190185 922	LUMINO-PHORE-LABELED MOLECULES COUPLED WITH PARTICLES FOR MICROARRAY-BASED ASSAYS	CapitalBio Corporation	5- Dec- -13	20- Nov- -18	20- Jun- 19

US20190185 832	DIET CONTROLLED EXPRESSION OF A NUCLEIC ACID ENCODING CAS9 NUCLEASE AND USES THEREOF	Not Available	3- Jun- 16	2- Jun- 17	20- Jun- 19
US20190184 067	MODIFIED ALGINATES FOR ANTI-FIBROTIC MATERIALS AND APPLICATIONS	Not Available	1- Nov- 15	28- Feb- 19	20- Jun- 19
US20190184 018	CARBOHYDRATE CONJUGATES AS DELIVERY AGENTS FOR OLIGONUCLEOTIDES	Not Available	4- Dec- 07	20- Nov- 18	20- Jun- 19
US20190183 968	METHODS AND REAGENTS FOR EFFICIENT AND TARGETED DELIVERY OF THERAPEUTIC MOLECULES TO CXCR4 CELLS	Not Available	13- Jan- 11	27- Feb- 19	20- Jun- 19
US20190183 918	SYSTEMIC IN VIVO DELIVERY OF OLIGONUCLEOTIDES	Not Available	12- Jun- 13	29- Oct- 18	20- Jun- 19
US20190177 739	RECOMBINANT INFLUENZA VIRUS-LIKE PARTICLES (VLPs) PRODUCED IN TRANSGENIC PLANTS	Not Available	21- Jan- 08	13- Dec- 18	13- Jun- 19
US20190175 716	Adenoviral Vector	Not Available	23- Jun- 16	23- Jun- 17	13- Jun- 19
US20190175 528	INHIBITION OF BIOFILM ORGANISMS	Not Available	31- Mar- 09	13- Feb- 19	13- Jun- 19
US20190169 677	PORTABLE MOLECULAR DIAGNOSTIC DEVICE AND METHODS FOR THE DETECTION OF TARGET VIRUSES	Click Diagnostics, Inc.	9- Nov- 17	9- Nov- 18	6- Jun- 19
US20190169 639	CRISPR-RELATED METHODS AND COMPOSITIONS WITH GOVERNING gRNAs	EDITAS MEDICINE, INC.	7- Nov- 13	24- Jan- 19	6- Jun- 19
US20190169 595	RNA TARGETING METHODS AND COMPOSITIONS	Salk Institute for Biological Studies	22- Aug- 17	25- Jan- 19	6- Jun- 19
US20190167 787	Methods and Compositions for Inhibiting Akt3	Not Available	15- Jan- 16	6- Feb- 19	6- Jun- 19
US20190167 786	EMULSIONS WITH FREE AQUEOUS-PHASE SURFACTANT FOR ADJUVANTING SPLIT INFLUENZA VACCINES	Not Available	4- Nov- 05	9- Jul- 18	6- Jun- 19
US20190167 636	METHODS FOR TREATING PULMONARY EMPHYSEMA USING SUBSTITUTED 2-AZA-BICYCLO[2.2.1]HEPTANE-3-CARBOXYLIC ACID (BENZYL-CYANO-METHYL)-AMIDES INHIBITORS OF CATHEPSIN C	Not Available	14- Mar- 13	8- Feb- 19	6- Jun- 19
US20190166 866	METHOD FOR PRODUCING A PROTEIN PHOSPHOLIPID COMPLEX FROM A CRUSTACEAN CATCH	Not Available	4- Dec- 17	30- Nov- 18	6- Jun- 19
US20190160 129	Novel Polygonum Cuspidatum Extracts and Their Use as Photodynamic Inactivating Agents	Not Available	1- Oct- 15	1- Feb- 19	30- May- 19
US20190160 063	NUCLEAR TRANSPORT MODULATORS AND USES THEREOF	Not Available	31- Dec- 15	30- Dec- 16	30- May- 19
US20190154 687	DETECTION DEVICE AND DETECTION METHOD	Kabushiki Kaisha Toshiba	17- Nov- 17	7- Mar- 18	23- May- 19
US20190154 550	BIOAEROSOL DETECTION SYSTEMS AND METHODS OF USE	Not Available	6- Apr- 16	6- Apr- 17	23- May- 19
US20190153 471	COMPOSITIONS FOR THE TREATMENT OF DISEASE	Not Available	29- Apr- 16	28- Apr- 17	23- May- 19
US20190153 086	Heterodimeric Immunoglobulins	Not Available	21- Nov- 12	5- Feb- 19	23- May- 19
US20190151 844	DEVICES AND METHODS FOR THE DETECTION OF MOLECULES USING A FLOW CELL	Click Diagnostics, Inc.	29- Jun- 16	21- Dec- 18	23- May- 19
US20190151 474	RNA-BASED LOGIC CIRCUITS WITH RNA BINDING PROTEINS, APTAMERS AND SMALL MOLECULES	Kyoto University	8- Sep- 14	8- Sep- 15	23- May- 19
US20190144 930	ENHANCED METHODS OF RIBONUCLEIC ACID HYBRIDIZATION	Not Available	6- Dec- 13	9- Jan- 19	16- May- 19
US20190144 929	DEVICES FOR CRISPR EFFECTOR SYSTEM BASED DIAGNOSTICS	Not Available	15- Mar- 17	15- Mar- 18	16- May- 19
US20190144 827	SYNTHETIC MEMBRANE-RECEIVER COMPLEXES	RUBIUS THERAPEUTICS, INC.	18- Nov- 13	19- Nov- 18	16- May- 19
US20190144 556	ANTAGONISTIC ANTI-TUMOR NECROSIS FACTOR RECEPTOR SUPERFAMILY ANTIBODIES	Not Available	13- May- 16	12- May- 17	16- May- 19
US20190144 484	ALKYNE CONTAINING NUCLEOTIDE AND NUCLEOSIDE THERAPEUTIC COMPOSITIONS AND USES RELATED THERETO	Not Available	28- Apr- 16	28- Apr- 17	16- May- 19

US20190142 929	INFLUENZA VACCINE REGIMENS FOR PANDEMIC ASSOCIATED STRAINS	Not Available	10- Feb- 09	15- Oct- 18	16- May- 19
US20190142 927	LOW-ADDITIVE INFLUENZA VACCINES	Not Available	27- Jun- 07	26- Jun- 18	16- May- 19
US20190136 226	DEVICES AND METHODS FOR NUCLEIC ACID EXTRACTION	Not Available	11- May- 16	9- Nov- 18	9- May- 19
US20190136 215	Replication Conditional Virus that Specifically Kills Senescent Cells	Not Available	17- Apr- 12	6- Jul- 18	9- May- 19
US20190135 875	TRI-SEGMENTED PICHINDE VIRUSES AS VACCINE VECTORS	Not Available	18- May- 16	17- May- 17	9- May- 19
US20190135 873	COMPOSITIONS AND METHODS FOR TREATING DISEASES BY INHIBITING EXOSOME RELEASE	Not Available	19- Dec- 16	19- Dec- 18	9- May- 19
US20190135 788	DIHYDROPYRIMIDINYL BENZAZEPINE CARBOXAMIDE COMPOUNDS	Hoffmann-La Roche Inc.	12- Jun- 16	7- Dec- 18	9- May- 19
US20190134 214	GLP-1 Receptor Ligand Moiety Conjugated Oligonucleotides and Uses Thereof	Not Available	6- May- 16	4- May- 17	9- May- 19
US20190134 193	USE OF TAM RECEPTOR INHIBITORS AS IMMUNOENHANCERS AND TAM ACTIVATORS AS IMMUNOSUPPRESSORS	SALK INSTITUTE FOR BIOLOGICAL STUDIES	9- Nov- 07	9- Aug- 18	9- May- 19
US20190134 186	INFLUENZA VACCINES WITH REDUCED AMOUNT OF EMULSION ADJUVANT	Not Available	4- Nov- 05	10- Jul- 18	9- May- 19
US20190134 062	PHARMACEUTICAL COMPOSITIONS AND METHODS	Not Available	3- Aug- 15	8- Jan- 19	9- May- 19
US20190128 893	QUINONE METHIDE ANALOG SIGNAL AMPLIFICATION	Not Available	24- Feb- 14	7- Nov- 18	2- May- 19
US20190128 810	SYSTEM FOR MEASURING OPTICAL SIGNAL DETECTOR PERFORMANCE	Not Available	31- Dec- 15	13- Dec- 18	2- May- 19
US20190127 441	METHODS AND COMPOSITIONS FOR REDUCING VIRUS INFECTIVITY	University of Vermont and State Agricultural College	13- Apr- 16	13- Apr- 17	2- May- 19
US20190127 405	QUINONE METHIDE ANALOG SIGNAL AMPLIFICATION	Not Available	24- Feb- 14	7- Nov- 18	2- May- 19
US20190127 401	CHARGED LINKERS AND THEIR USES FOR CONJUGATION	HANGZHOU DAC BIOTECH CO., LTD.	12- Aug- 16	20- Dec- 18	2- May- 19
US20190127 400	CHARGED LINKERS AND THEIR USES FOR CONJUGATION	HANGZHOU DAC BIOTECH CO., LTD.	12- Aug- 16	20- Dec- 18	2- May- 19
US20190127 399	CHARGED LINKERS AND THEIR USES FOR CONJUGATION	HANGZHOU DAC BIOTECH CO., LTD.	12- Aug- 16	20- Dec- 18	2- May- 19
US20190125 858	COLD ADAPTED AND VIRULENCE FACTOR DELETED LIVE ATTENUATED VACCINE SUITABLE FOR MUCOSAL DELIVERY	Not Available	18- Apr- 16	18- Apr- 17	2- May- 19
US20190125 806	Antimicrobial and Antiviral Agent, Antimicrobial and Antiviral Member, and Method for Producing Antimicrobial and Antiviral Agent	Murata Manufacturing Co., Ltd.	13- Jun- 16	13- Dec- 18	2- May- 19
US20190125 724	PREVENTION AND TREATMENT OF VIRAL INFECTIONS	Not Available	2- Jun- 16	27- Nov- 18	2- May- 19
US20190119 744	CAPTURE PRIMERS AND CAPTURE SEQUENCE LINKED SOLID SUPPORTS FOR MOLECULAR DIAGNOSTIC TESTS	Not Available	31- Jul-09	5- Nov- 18	25- Apr- 19
US20190119 743	COMPOSITIONS AND METHODS FOR DETECTING RARE SEQUENCE VARIANTS	Not Available	15- Aug- 16	26- Oct- 18	25- Apr- 19
US20190119 701	METHODS FOR IMPROVED HOMOLOGOUS RECOMBINATION AND COMPOSITIONS THEREOF	Not Available	8- Sep- 17	7- Sep- 18	25- Apr- 19
US20190119 266	COMPOSITIONS AND METHODS FOR INHIBITING KINASES	Not Available	23- Apr- 15	24- Oct- 18	25- Apr- 19
US20190119 220	CARBOXYLIC ACID COMPOUNDS	Sumitomo Dainippon Pharma Co., Ltd.	18- May- 12	23- Oct- 18	25- Apr- 19
US20190117 793	MODULAR NANODEVICES FOR SMART ADAPTABLE VACCINES	Not Available	15- Feb- 07	1- Oct- 18	25- Apr- 19
US20190117 702	USE OF ASC AND ASC-CM TO TREAT ARDS, SARS, AND MERS	Indiana University Research and Technology Corporation	6- May- 14	31- Oct- 18	25- Apr- 19
US20190112 596	TAL-EFFECTOR ASSEMBLY PLATFORM, CUSTOMIZED SERVICES, KITS AND ASSAYS	Not Available	4- Apr- 12	12- Apr- 18	18- Apr- 19
US20190112 394	USING SORTASES TO INSTALL CLICK CHEMISTRY HANDLES FOR PROTEIN LIGATION	Whitehead Institute for Biomedical Research	28- Jun- 11	24- Sep- 18	18- Apr- 19

US20190111 141	A PEPTIDE WITH ABILITY TO PENETRATE CELL MEMBRANE	Ewha University - Industry Collaboration Foundation	6- Apr- 16	6- Apr- 17	18- Apr- 19
US20190105 653	PORTABLE PATHOGEN ANALYSIS SYSTEM FOR DETECTING WATERBORNE PATHOGENS	Not Available	5- Oct- 17	5- Oct- 18	11- Apr- 19
US20190105 381	METHOD FOR PREPARING VIRAL PARTICLES WITH CYCLIC DINUCLEOTIDE AND USE OF SAID PARTICLES FOR TREATING CANCER	Not Available	16- Mar- 16	16- Mar- 16	11- Apr- 19
US20190105 334	Anti-Viral Azide Containing Compounds	Not Available	28- Jul-10	3- Dec- 18	11- Apr- 19
US20190100 586	Humanized Anti-Claudin-1 Antibodies and Uses Thereof	Chu Strasbourg, Les HÃ´pitaux Universitaires de Strasbourg	22- Mar- 16	21- Mar- 17	4- Apr- 19
US20190099 493	Targeting Lipids	Arbutus Biopharma Corporation	4- Dec- 07	10- Oct- 17	4- Apr- 19
US20190099 479	RECOMBINANT HCMV AND RHCMV VECTORS AND USES THEREOF	Not Available	14- May- 10	27- Apr- 18	4- Apr- 19
US20190094 224	METHODS AND COMPOSITIONS FOR DETECTING SINGLE T CELL RECEPTOR AFFINITY AND SEQUENCE	Not Available	11- Apr- 16	6- Apr- 17	28- Mar- 19
US20190091 329	CATIONIC OIL-IN-WATER EMULSIONS	GLAXOSMITHKLINE BIOLOGICALS, SA	6-Jul-11	6- Dec- 18	28- Mar- 19
US20190091 221	METHODS AND COMPOSITIONS FOR TREATING VIRAL OR VIRALLY-INDUCED CONDITIONS	TRUSTEES OF BOSTON UNIVERSITY	11- Mar- 10	23- Apr- 18	28- Mar- 19
US20190085 057	MAST CELL STABILIZERS FOR TREATMENT OF HYPERCYTOKINEMIA AND VIRAL INFECTION	Not Available	8- Sep- 16	15- Nov- 18	21- Mar- 19
US20190085 024	Alpha-Ketoamide Inhibitors Of Cysteine Proteases	Not Available	15- Sep- 17	17- Sep- 18	21- Mar- 19
US20190085 013	NUCLEOTIDE AND NUCLEOSIDE THERAPEUTIC COMPOSITIONS AND USES RELATED THERETO	Not Available	7- Mar- 16	7- Mar- 17	21- Mar- 19
US20190084 943	CHLORO-PYRAZINE CARBOXAMIDE DERIVATIVES WITH EPITHELIAL SODIUM CHANNEL BLOCKING ACTIVITY	Parion Sciences, Inc.	17- Dec- 12	23- Aug- 18	21- Mar- 19
US20190083 602	METHOD FOR PRODUCING RNA MOLECULE COMPOSITIONS	Not Available	22- Dec- 15	22- Dec- 16	21- Mar- 19
US20190083 592	IMMUNOSTIMULATORY COMBINATIONS	Not Available	30- Dec- 02	22- Oct- 18	21- Mar- 19
US20190083 569	MICROBICIDAL COMPOSITIONS AND METHODS FOR TREATMENT OF VIRAL INFECTIONS	Not Available	11- Jun- 15	24- Jul- 18	21- Mar- 19
US20190083 525	COMPOSITIONS COMPRISING AN RNA POLYMERASE INHIBITOR AND CYCLODEXTRIN FOR TREATING VIRAL INFECTIONS	Not Available	11- Jul-17	10- Jul- 18	21- Mar- 19
US20190083 520	N4-Hydroxycytidine and Derivatives and Anti-Viral Uses Related Thereto	Not Available	10- Mar- 16	10- Mar- 17	21- Mar- 19
US20190083 408	CONTROLLED-RELEASE PEPTIDE COMPOSITIONS AND USES THEREOF	Not Available	2- Dec- 11	4- Dec- 18	21- Mar- 19
US20190083 397	OIL-IN-WATER EMULSIONS INCLUDING RETINOIC ACID	NOVARTIS AG	23- Dec- 15	21- Dec- 16	21- Mar- 19
US20190078 060	DECREASING POTENTIAL IATROGENIC RISKS ASSOCIATED WITH INFLUENZA VACCINES	Novartis AG	9- Sep- 04	8- Nov- 18	14- Mar- 19
US20190078 051	Animal Protein-Free Media for Cultivation of Cells	Baxalta GmbH	29- Oct- 04	29- Oct- 18	14- Mar- 19
US20190077 847	AMINO ACID SEQUENCES DIRECTED AGAINST ENVELOPE PROTEINS OF A VIRUS AND POLYPEPTIDES COMPRISING THE SAME FOR THE TREATMENT OF VIRAL DISEASES	Ablynx N.V.	5- Jun- 08	17- Oct- 17	14- Mar- 19
US20190077 764	BENZAZEPINE DICARBOXAMIDE COMPOUNDS WITH SECONDARY AMIDE FUNCTION	Hoffmann-La Roche Inc.	23- May- 16	13- Nov- 18	14- Mar- 19
US20190077 763	BENZAZEPINE DICARBOXAMIDE COMPOUNDS WITH TERTIARY AMIDE FUNCTION	Hoffmann-La Roche Inc.	23- May- 16	13- Nov- 18	14- Mar- 19
US20190076 520	VACCINES AND IMMUNOTHERAPEUTICS USING IL-28 AND COMPOSITIONS AND METHODS OF USING	Not Available	4- Apr- 08	11- Sep- 18	14- Mar- 19
US20190076 468	ENHANCED IMMUNE RESPONSE UPON TREATMENT WITH NITRIC OXIDE	Not Available	11- Sep- 17	11- Sep- 17	14- Mar- 19



US20190071 423	QUINAZOLINONES AND AZAQUINAZOLINONES AS UBIQUITIN-SPECIFIC PROTEASE 7 INHIBITORS	Not Available	5- Feb- 15	2- Nov- -18	7- Mar- -19
US20190071 422	QUINAZOLINONES AND AZAQUINAZOLINONES AS UBIQUITIN-SPECIFIC PROTEASE 7 INHIBITORS	Not Available	5- Feb- 15	2- Nov- -18	7- Mar- -19
US20190071 421	QUINAZOLINONES AND AZAQUINAZOLINONES AS UBIQUITIN-SPECIFIC PROTEASE 7 INHIBITORS	Not Available	5- Feb- 15	2- Nov- -18	7- Mar- -19
US20190071 420	QUINAZOLINONES AND AZAQUINAZOLINONES AS UBIQUITIN-SPECIFIC PROTEASE 7 INHIBITORS	Not Available	5- Feb- 15	2- Nov- -18	7- Mar- -19
US20190071 419	QUINAZOLINONES AND AZAQUINAZOLINONES AS UBIQUITIN-SPECIFIC PROTEASE 7 INHIBITORS	Not Available	5- Feb- 15	2- Nov- -18	7- Mar- -19
US20190071 418	QUINAZOLINONES AND AZAQUINAZOLINONES AS UBIQUITIN-SPECIFIC PROTEASE 7 INHIBITORS	Not Available	5- Feb- 15	2- Nov- -18	7- Mar- -19
US20190062 785	MULTIVALENT VACCINES FOR RABIES VIRUS AND CORONAVIRUSES	Not Available	4- Apr- 16	31- Mar- -17	28- Feb- -19
US20190062 724	RNA TARGETING METHODS AND COMPOSITIONS	Salk Institute for Biological Studies	22- Aug- 17	27- Mar- -18	28- Feb- -19
US20190062 713	HIGHLY EFFICIENT INFLUENZA MATRIX (M1) PROTEINS	Not Available	11- Jul-03	22- Mar- -18	28- Feb- -19
US20190062 408	CONSERVED HEMAGGLUTININ EPI TOPE, ANTIBODIES TO THE EPI TOPE, AND METHODS OF USE	Not Available	25- Aug- 08	20- Jun- -18	28- Feb- -19
US20190062 380	FUSION PROTEINS FOR PROMOTING AN IMMUNE RESPONSE, NUCLEIC ACIDS ENCODING SAME, AND METHODS OF MAKING AND USE THEREOF	Not Available	7- Sep- 12	28- Aug- -18	28- Feb- -19
US20190062 326	2-PHENYL-3-(PIPERAZINOMETHYL)IMIDAZO[1,2-A]PYRIDINE DERIVATIVES AS BLOCKERS OF TASK-1 AND TASK-2 CHANNELS, FOR THE TREATMENT OF SLEEP-RELATED BREATHING DISORDERS	BAYER PHARMA AKTIENGESELLSCHAFT	10- Dec- 15	7- Dec- -16	28- Feb- -19
US20190062 323	PI-Kinase Inhibitors with Anti-Infective Activity	Not Available	26- Feb- 16	24- Feb- -17	28- Feb- -19
US20190060 435	PEPTIDE VACCINE FORMULATIONS AND USE THEREOF FOR INDUCING AN IMMUNE RESPONSE	The United States of America, as represented by the Secretary, Dept of Health and Human Service	27- Feb- 16	27- Feb- -17	28- Feb- -19
US20190060 364	INTRACELLULAR GENOMIC TRANSPLANT AND METHODS OF THERAPY	Not Available	31- Jul-15	6- Nov- -18	28- Feb- -19
US20190060 363	INTRACELLULAR GENOMIC TRANSPLANT AND METHODS OF THERAPY	Not Available	31- Jul-15	6- Nov- -18	28- Feb- -19
US20190060 262	ENHANCED EXPRESSION OF RNA VECTORS	UNIVERSITY COURT OF THE UNIVERSITY OF EDINBURGH	25- Mar- 13	5- Sep- -18	28- Feb- -19
US20190060 239	Technology for the Preparation of Microparticles	Not Available	24- Jul-07	17- Oct- -18	28- Feb- -19
US20190056 122	Clean Rooms Having Dilute Hydrogen Peroxide (DHP) Gas and Methods of Use Thereof	Synexis LLC	20- Apr- 15	20- Apr- -16	21- Feb- -19
US20190055 256	ANTI-VIRAL DRUG	DORING INTERNATIONAL GMBH	24- Feb- 16	24- Feb- -17	21- Feb- -19
US20190055 241	GUANIDINE SUBSTITUTED IMIDAZO[4,5-c] RING COMPOUNDS	Not Available	31- Aug- 15	22- Oct- -18	21- Feb- -19
US20190055 234	COMPOSITIONS AND METHODS FOR INHIBITING KINASES	Not Available	23- Apr- 15	24- Oct- -18	21- Feb- -19
US20190054 188	ADENO-ASSOCIATED VIRUS (AAV) CLADES, SEQUENCES, VECTORS CONTAINING SAME, AND USES THEREFOR	Not Available	30- Sep- 03	2- Oct- -18	21- Feb- -19
US20190054 127	ANTIVIRAL AGENT AND ANTIVIRAL FOOD	EDUCATIONAL CORPORATION MUKOGAWA GAKUIN	4- Mar- 16	22- Nov- -16	21- Feb- -19
US20190054 122	INTRACELLULAR GENOMIC TRANSPLANT AND METHODS OF THERAPY	Not Available	31- Jul-15	5- Nov- -18	21- Feb- -19
US20190049 378	CONTINUOUS PROCESS FOR PERFORMING MULTIPLE NUCLEIC ACID AMPLIFICATION ASSAYS	Not Available	10- Mar- 05	21- Jun- -18	14- Feb- -19
US20190048 344	CHEMICAL MODIFICATIONS OF MONOMERS AND OLIGONUCLEOTIDES WITH CYCLOADDITION	Not Available	23- Sep- 08	16- Aug- -18	14- Feb- -19
US20190048 082	PSEUDOTYPED ONCOLYTIC VIRAL DELIVERY OF THERAPEUTIC POLYPEPTIDES	Not Available	30- Jun- 16	25- Oct- -18	14- Feb- -19



US20190048049	CARGOMERS	CERENIS THERAPEUTICS HOLDING SA	10-Aug-17	10-Aug-18	14-Feb-19
US20190048026	Boron-Containing Small Molecules	Anacor Pharmaceuticals, Inc.	16-Feb-05	18-Oct-18	14-Feb-19
US20190046690	MATERIALS WITH IMPROVED PROPERTIES	Not Available	1-Nov-15	2-Nov-16	14-Feb-19
US20190046654	ALBUMIN BINDING PEPTIDE CONJUGATES AND METHODS THEREOF	Not Available	9-Aug-17	9-Aug-18	14-Feb-19
US20190046635	COMPOSITION FOR IMMUNITY INDUCTION PROMOTION AND VACCINE PHARMACEUTICAL COMPOSITION	NITTO DENKO CORPORATION	2-Feb-16	1-Feb-17	14-Feb-19
US20190040451	FULLY INTEGRATED HAND-HELD DEVICE TO DETECT SPECIFIC NUCLEIC ACID SEQUENCES	Not Available	8-Jan-16	9-Jan-17	7-Feb-19
US20190040378	NOVEL NUCLEIC ACID MOLECULES	Not Available	4-Jul-17	3-Jul-18	7-Feb-19
US20190040370	TRACKING AND MANIPULATING CELLULAR RNA VIA NUCLEAR DELIVERY OF CRISPR/CAS9	Not Available	23-Nov-15	3-Aug-18	7-Feb-19
US20190040105	Method for Preventing and Treating Hyperpermeability	Not Available	5-Mar-09	19-Oct-18	7-Feb-19
US20190038742	MESENCHYMAL STEM CELLS AS VACCINE ADJUVANTS AND METHODS FOR USING THE SAME	Longeveron LLC	4-Feb-16	2-Feb-17	7-Feb-19
US20190032077	ARTIFICIAL NUCLEIC ACID MOLECULES	CureVac AG	30-Dec-13	9-Jul-18	31-Jan-19
US20190032041	COMPOSITIONS FOR AND METHODS OF IDENTIFYING ANTIGENS	Not Available	21-Feb-06	12-Feb-18	31-Jan-19
US20190031740	COMPOSITIONS COMPRISING AAV EXPRESSING DUAL ANTIBODY CONSTRUCTS AND USES THEREOF	Not Available	13-May-14	15-Oct-18	31-Jan-19
US20190031679	NOVEL MONOTHIOL MUCOLYTIC AGENTS	Not Available	30-Jan-15	5-Sep-18	31-Jan-19
US20190031605	TETRAHYDRONAPHTHALENE DERIVATIVE	ONO PHARMACEUTICAL CO., LTD.	29-Jan-16	27-Jan-17	31-Jan-19
US20190030187	siRNA/Nanoparticle Formulations for Treatment of Middle-East Respiratory Syndrome Coronavirus Infection	Sirnaomics, Inc.	8-Sep-15	7-Sep-16	31-Jan-19
US20190030094	BACTERIAL STRAIN AS AGENTS FOR PREVENTING AND/OR TREATING RESPIRATORY DISORDERS	Not Available	27-Jan-16	27-Jan-17	31-Jan-19
US20190025292	ANTIGEN PRESENTING CELL ASSAY	University of Pittsburgh - Of the Commonwealth System of Higher Education	8-Apr-10	25-Sep-18	24-Jan-19
US20190024096	PROCESS FOR THE IN VIVO PRODUCTION OF RNA IN A HOST CELL	Not Available	7-Aug-15	7-Aug-15	24-Jan-19
US20190023799	GITR Antibodies And Methods Of Inducing Or Enhancing An Immune Response	Not Available	25-Mar-05	28-Jun-18	24-Jan-19
US20190023779	METHOD OF PROVIDING MONOCLONAL AUTO-ANTIBODIES WITH DESIRED SPECIFICITY	Not Available	28-Dec-11	5-Oct-18	24-Jan-19
US20190023769	COMPOSITIONS AND METHODS FOR INHIBITING PATHOGEN INFECTION	Not Available	29-Oct-12	21-Sep-18	24-Jan-19
US20190022249	ADENO-ASSOCIATED VIRUS (AAV) CLADES, SEQUENCES, VECTORS CONTAINING SAME, AND USES THEREFOR	Not Available	30-Sep-03	2-Oct-18	24-Jan-19
US20190022216	ANTIBODY/T-CELL RECEPTOR CHIMERIC CONSTRUCTS AND USES THEREOF	Not Available	23-Oct-15	4-Sep-18	24-Jan-19
US20190022214	Attenuated Infectious Bronchitis Virus	Not Available	27-Jan-16	26-Jan-17	24-Jan-19
US20190022213	MERS-CoV Vaccine	Not Available	29-Nov-13	29-Jun-18	24-Jan-19
US20190022116	N4-Hydroxycytidine and Derivatives and Anti-Viral Uses Related Thereto	Not Available	26-Dec-14	16-Dec-15	24-Jan-19
US20190017112	METHOD OF DIRECT TARGET SEQUENCING USING NUCLEASE PROTECTION	HTG Molecular Diagnostics, Inc.	11-Feb-16	10-Feb-17	17-Jan-19
US20190017068	ADENO-ASSOCIATED VIRUS (AAV) SEROTYPE 8 SEQUENCES, VECTORS CONTAINING SAME, AND USES THEREFOR	Not Available	17-Dec-01	26-Sep-18	17-Jan-19

US20190017000	CLEANING COMPOSITION, METHOD OF MAKING AND USE THEREOF	Not Available	8-Sep-16	19-Sep-18	17-Jan-19
US20190016785	ANTIBODIES THAT POTENTLY NEUTRALIZE HEPATITIS B VIRUS AND USES THEREOF	Not Available	7-Oct-15	7-Oct-16	17-Jan-19
US20190016772	GM-CSF and IL-4 Conjugates, Compositions, and Methods Related Thereto	Not Available	23-Oct-12	2-Oct-18	17-Jan-19
US20190016710	MULTICYCLIC COMPOUNDS AND USES THEREOF	Not Available	31-Dec-15	29-Dec-16	17-Jan-19
US20190016690	NUCLEAR TRANSPORT MODULATORS AND USES THEREOF	Not Available	31-Dec-15	30-Dec-16	17-Jan-19
US20190015527	ADENO-ASSOCIATED VIRUS (AAV) CLADES, SEQUENCES, VECTORS CONTAINING SAME, AND USES THEREFOR	Not Available	30-Sep-03	25-Jul-18	17-Jan-19
US20190015522	IMMUNOSTIMULATORY COMPOSITIONS AND METHODS OF USE THEREOF	Not Available	5-Apr-12	19-Jul-18	17-Jan-19
US20190015501	NUCLEIC ACID VACCINES	ModernaTX, Inc.	23-Apr-14	27-Sep-18	17-Jan-19
US20190015432	Lipid Disulfide Prodrugs and Uses Related Thereto	Not Available	13-Jul-17	13-Jul-18	17-Jan-19
US20190010469	ATTENUATED VIRUSES USEFUL FOR VACCINES	Not Available	30-Mar-07	16-Jul-18	10-Jan-19
US20190010240	COMPOSITION COMPRISED OF ANTIGEN LINKED TO A TNF SUPERFAMILY LIGAND	Not Available	15-Mar-13	2-Aug-18	10-Jan-19
US20190010132	ARYLALKYL-AND ARYLOXYALKYL-SUBSTITUTED EPITHELIAL SODIUM CHANNEL BLOCKING COMPOUNDS	Parion Sciences, Inc.	13-Dec-13	4-Apr-18	10-Jan-19
US20190008954	NEGATIVELY CHARGED NUCLEIC ACID COMPRISING COMPLEXES FOR IMMUNOSTIMULATION	CureVac AG	31-Jan-12	11-Jun-18	10-Jan-19
US20190008948	NUCLEIC ACID VACCINES	ModernaTX, Inc.	23-Apr-14	16-Jul-18	10-Jan-19
US20190008833	NUCLEAR TRANSPORT MODULATORS AND USES THEREOF	Not Available	9-May-12	17-Jul-18	10-Jan-19
US20190004061	DETECTING TARGETS USING MASS TAGS AND MASS SPECTROMETRY	Not Available	2-Jul-10	4-Aug-18	3-Jan-19
US20190002477	ANTI-VIRAL COMPOUNDS, PHARMACEUTICAL COMPOSITIONS, AND METHODS OF USE THEREOF	Kineta, Inc.	9-May-14	31-Jan-18	3-Jan-19
US20190002448	SUBSTITUTED BENZOFURANYL AND BENZOXAZOLYL COMPOUNDS AND USES THEREOF	Not Available	31-Dec-15	29-Dec-16	3-Jan-19
US20190002393	Lipids and Lipid Compositions for the Delivery of Active Agents	Not Available	5-Sep-14	19-Sep-18	3-Jan-19
US20190001010	ADDITIVE COMPOSITIONS FOR PIGMENTED DISINFECTION AND METHODS THEREOF	Not Available	8-Dec-14	13-Jul-18	3-Jan-19
US20190000959	NUCLEIC ACID VACCINES	ModernaTX, Inc.	23-Apr-14	27-Jul-18	3-Jan-19
US20190000745	POLYMER-BASED ANTIMICROBIAL COMPOSITIONS AND METHODS OF USE THEREOF	eXion labs Inc.	28-Jul-16	4-Sep-18	3-Jan-19
US20180372747	METHODS OF IDENTIFYING IMMUNE CELLS IN PD-L1 POSITIVE TUMOR TISSUE	Not Available	22-Nov-15	21-May-18	27-Dec-18
US20180372733	ANTIBODY-NANOPARTICLE CONJUGATES AND METHODS FOR MAKING AND USING SUCH CONJUGATES	Not Available	27-Apr-10	21-Jun-18	27-Dec-18
US20180371536	METHODS FOR RNA QUANTIFICATION	Not Available	1-Jun-15	26-May-16	27-Dec-18
US20180371461	APTAMERS, NUCLEIC ACID MOLECULES, POLYNUCLEOTIDES, SYNTHETIC ANTIBODIES COMPOSITIONS FOR DETECTING PRRS VIRUSES AND TREATING PRRS VIRUS INFECTION	Not Available	10-Dec-15	1-Dec-16	27-Dec-18
US20180371410	MEANS AND METHODS FOR INFLUENCING THE STABILITY OF CELLS	Not Available	4-Dec-09	28-Aug-18	27-Dec-18
US20180369386	LIPIDS AND LIPID COMPOSITIONS FOR THE DELIVERY OF ACTIVE AGENTS	Not Available	8-Mar-13	29-Aug-18	27-Dec-18
US20180369364	RECOMBINANT VIRUS LIKE PARTICLES USING BOVINE IMMUNODEFICIENCY VIRUS GAG PROTEIN	Not Available	2-Jul-15	1-Jul-16	27-Dec-18

US20180368 417	ANTIMICROBIAL COMPOSITIONS AND METHODS	Not Available	23- Sep- 14	19- Jun -18	27- Dec -18
US20180365 375	METHODS AND SYSTEMS FOR MULTIPLE TAXONOMIC CLASSIFICATION	Not Available	24- Apr- 15	4- Oct -17	20- Dec -18
US20180363 027	STABILIZING COMPOSITIONS AND METHODS FOR EXTRACTION OF RIBONUCLEIC ACID	Not Available	6- Oct- 06	15- May -18	20- Dec -18
US20180362 625	REGULATION OF CYTOKINE PRODUCTION	Not Available	4- Dec- 15	2- Dec -16	20- Dec -18
US20180360 877	METHODS FOR EXPANDING A POPULATION OF ALVEOLAR MACROPHAGES IN A LONG TERM CULTURE	Not Available	8- Dec- 15	8- Dec -16	20- Dec -18
US20180360 736	FILM DOSAGE FORM WITH EXTENDED RELEASE MUCOADHESIVE PARTICLES	Intelgenx Corp.	2- Dec- 13	23- Aug -18	20- Dec -18
US20180355 017	COMPOSITIONS AND METHODS FOR INTERNALIZING ENZYMES	Not Available	7- Jun- 17	6- Jun -18	13- Dec -18
US20180353 594	METHOD FOR INACTIVATING VIRUSES USING ELECTRON BEAMS	Not Available	26- Jul- 13	21- Aug -18	13- Dec -18
US20180346 574	ANTI-PD-L1 ANTIBODIES AND USES THEREOF	Not Available	13- Jun- 16	9- Aug -18	6- Dec -18
US20180346 573	ANTI-PD-L1 ANTIBODIES AND USES THEREOF	Not Available	13- Jun- 16	9- Aug -18	6- Dec -18
US20180346 522	HUMAN RESPIRATORY SYNCYTIAL VIRUS CONSENSUS ANTIGENS, NUCLEIC ACID CONSTRUCTS AND VACCINES MADE THEREFROM, AND METHODS OF USING THE SAME	Not Available	10- Apr- 12	6- Aug -18	6- Dec -18
US20180346 516	PEPTIDES AND USES THEREFOR AS ANTIVIRAL AGENTS	Not Available	27- Nov- 15	28- Nov -16	6- Dec -18
US20180346 485	ISOTHIAZOLOPYRIMIDINONES, PYRAZOLOPYRIMIDINONES, AND PYRROLOPYRIMIDINONES AS UBIQUITIN-SPECIFIC PROTEASE 7 INHIBITORS	Not Available	5- Feb- 15	27- Feb -18	6- Dec -18
US20180346 480	THIENOPYRIMIDINONES AS UBIQUITIN-SPECIFIC PROTEASE 7 INHIBITORS	Not Available	5- Feb- 15	1- Mar -18	6- Dec -18
US20180344 877	RECOMBINANT PROMOTERS AND VECTORS FOR PROTEIN EXPRESSION IN LIVER AND USE THEREOF	Children's Healthcare of Atlanta, Inc.	16- Apr- 15	8- Aug -18	6- Dec -18
US20180344 832	METHODS AND COMPOSITIONS FOR COMBINATION IMMUNOTHERAPY	Not Available	20- Apr- 15	20- Apr -16	6- Dec -18
US20180344 751	Broad Spectrum Antiviral and Methods of Use	Not Available	17- Apr- 06	26- Dec -17	6- Dec -18
US20180340 219	CRISPR EFFECTOR SYSTEM BASED DIAGNOSTICS	MASSACHUSETTS INSTITUTE OF TECHNOLOGY	9- Dec- 16	9- Mar -18	29- Nov -18
US20180340 218	CRISPR EFFECTOR SYSTEM BASED DIAGNOSTICS	MASSACHUSETTS INSTITUTE OF TECHNOLOGY	9- Dec- 16	9- Mar -18	29- Nov -18
US20180340 215	SAMPLE ANALYSIS, PRESENCE DETERMINATION OF A TARGET SEQUENCE	Not Available	28- Aug- 15	26- Aug -16	29- Nov -18
US20180340 154	PRODUCTION OF VIRUSES IN AVIAN EGGS	Not Available	24- Nov- 15	23- Nov -16	29- Nov -18
US20180340 153	PRODUCTION OF VIRUSES IN CELL CULTURE	Not Available	24- Nov- 15	23- Nov -16	29- Nov -18
US20180339 991	PYRROLOTRIAZINONES AND IMIDAZOTRIAZINONES AS UBIQUITIN-SPECIFIC PROTEASE 7 INHIBITORS	Not Available	30- Dec- 14	24- May -18	29- Nov -18
US20180339 988	PYRROLO AND PYRAZOLOPYRIMIDINES AS UBIQUITIN-SPECIFIC PROTEASE 7 INHIBITORS	Not Available	30- Dec- 14	18- Jan -18	29- Nov -18
US20180339 014	PEPTIDOMIMETIC MACROCYCLES	Not Available	14- Jan- 09	7- Jun -18	29- Nov -18
US20180334 480	CORONAVIRUSES EPI TOPE-BASED VACCINES	RAMOT AT TEL-AVIV UNIVERSITY LTD.	17- Sep- 15	15- Sep -16	22- Nov -18
US20180333 485	Compositions, Comprising Improved Il-12 Genetic Constructs And Vaccines, Immunotherapeutics And Methods Of Using The Same	Not Available	12- Dec- 11	9- May -18	22- Nov -18
US20180327 800	MONOCLONAL ANTIBODY PRODUCTION BY EBV TRANSFORMATION OF B CELLS	Not Available	26- Feb- 03	21- May -18	15- Nov -18

US20180327 738	STABILIZED REAGENTS FOR GENOME MODIFICATION	Not Available	20- Nov- 15	18- Nov- 16	15- Nov- 18
US20180327 697	CLEANING COMPOSITION, METHOD OF MAKING AND USE THEREOF	Not Available	8- Sep- 16	12- Jun- 18	15- Nov- 18
US20180327 484	RSV-SPECIFIC BINDING MOLECULES AND MEANS FOR PRODUCING THEM	Not Available	1- Jun- 07	23- Jul- 18	15- Nov- 18
US20180326 070	CARBOHYDRATE CONJUGATES AS DELIVERY AGENTS FOR OLIGONUCLEOTIDES	Not Available	4- Dec- 07	20- Nov- 17	15- Nov- 18
US20180326 051	LIPIDATED IMMUNE RESPONSE MODIFIER COMPOUND COMPOSITIONS, FORMULATIONS, AND METHODS	Not Available	17- Aug- 10	24- Jul- 18	15- Nov- 18
US20180326 045	COMBINATION PIV3/HMPV RNA VACCINES	ModernaTX, Inc.	22- Oct- 15	20- Jul- 18	15- Nov- 18
US20180326 044	NSP10 SELF-ASSEMBLING FUSION PROTEINS FOR VACCINES, THERAPEUTICS, DIAGNOSTICS AND OTHER NANOMATERIAL APPLICATIONS	Not Available	13- Oct- 15	13- Oct- 16	15- Nov- 18
US20180326 039	VACCINE COMPOSITIONS	Not Available	16- Sep- 15	16- Sep- 16	15- Nov- 18
US20180325 076	ANTIMICROBIAL COMPOSITIONS AND METHODS WITH NOVEL POLYMERIC BINDING SYSTEM	OXISCIENCE, LLC	28- Aug- 14	24- Jul- 18	15- Nov- 18
US20180321 242	VIRAL BIOMARKERS AND USES THEREFOR	Not Available	6- Nov- 15	4- Nov- 16	8- Nov- 18
US20180319 811	DERIVATIVES OF PORPHYRINS, THEIR PROCESS OF PREPARATION AND THEIR USE FOR TREATING VIRAL INFECTIONS	Not Available	30- Oct- 15	28- Oct- 16	8- Nov- 18
US20180319 779	SUBSTITUTED BENZOFURANYL AND BENZOXAZOLYL COMPOUNDS AND USES THEREOF	Not Available	3-Jul- 13	4- Dec- 17	8- Nov- 18
US20180318 447	COMPOSITIONS AND METHODS FOR IMPROVING VIRAL VECTOR EFFICIENCY	Not Available	3- Dec- 15	30- Nov- 16	8- Nov- 18
US20180318 366	METHOD OF TREATMENT USING ONCOLYTIC VIRUSES	Not Available	15- Jun- 15	15- Jun- 16	8- Nov- 18
US20180318 350	Immune Cells with DNMT3A Gene Modifications and Methods Related Thereto	Not Available	4- Nov- 15	4- Nov- 16	8- Nov- 18
US20180312 575	ANTIBODIES AGAINST INFLUENZA VIRUS AND METHODS OF USE THEREOF	Not Available	6- Dec- 07	20- Mar- 18	1- Nov- 18
US20180312 545	OPTIMIZED NUCLEIC ACID MOLECULES	Not Available	9- Nov- 15	9- Nov- 16	1- Nov- 18
US20180312 544	RECOMBINANT HUMAN/BOVINE PARAINFLUENZA VIRUS 3 (B/HPIV3) EXPRESSING A CHIMERIC RSV/BPIV3 F PROTEIN AND USES THEREOF	The United States of America, as represented by the Secretary, Dept. of Health and Human Services	20- Jan- 15	20- Jan- 16	1- Nov- 18
US20180311 338	MICRONEEDLE COMPOSITIONS AND METHODS OF USING SAME	Not Available	11- Jan- 16	11- Jul- 18	1- Nov- 18
US20180311 273	Method of Treating Inflammation	Not Available	1- Apr- 10	26- Jun- 18	1- Nov- 18
US20180305 773	CRISPR EFFECTOR SYSTEM BASED DIAGNOSTICS FOR MALARIA DETECTION	Not Available	12- Apr- 17	12- Apr- 18	25- Oct- 18
US20180305 760	Pathogen biomarkers and uses therefor	Not Available	30- Sep- 15	30- Sep- 16	25- Oct- 18
US20180305 451	HIDE1 COMPOSITIONS AND METHODS	Not Available	13- Jul-15	13- Jul- 16	25- Oct- 18
US20180305 412	COMPOSITIONS AND METHODS FOR TREATING DISEASES BY INHIBITING EXOSOME RELEASE	Not Available	19- Dec- 16	9- Jul- 18	25- Oct- 18
US20180305 357	IMMUNE RESPONSE MODIFIER COMPOSITIONS AND METHDOS	Not Available	22- Dec- 06	25- Jun- 18	25- Oct- 18
US20180305 356	NOVEL KINASE INHIBITORS	Not Available	19- Oct- 12	18- May- 18	25- Oct- 18
US20180303 874	Compositions and Methods for the Prevention of Microbial Infections	Not Available	10- Nov- 11	30- Nov- 17	25- Oct- 18
US20180303 768	DESIGN, SYNTHESIS AND METHODS OF USE OF ACYCLIC FLEXMIER NUCLEOSIDE ANALOGUES HAVING ANTI-CORONAVIRUS ACTIVITY	Not Available	30- Jan- 15	2- Jul- 18	25- Oct- 18
US20180303 090	TREATMENT COMPOSITIONS PROVIDING AN ANTIMICROBIAL BENEFIT	Not Available	30- Oct- 15	17- Oct- 16	25- Oct- 18

US20180267 031	METHOD AND DEVICE FOR DETECTING ANTIGEN-SPECIFIC ANTIBODIES IN A BIOLOGICAL FLUID SAMPLE BY USING NEODYMIUM MAGNETS	The U.S.A., as represented by the Secretary, Department of Health and Human Services	1- Sep- 15	8- Aug- 16	20- Sep- 18
US20180265 847	SYNTHETIC MEMBRANE-RECEIVER COMPLEXES	Not Available	18- Nov- 13	29- Mar- 18	20- Sep- 18
US20180265 822	LIQUID LOADING COMPOSITION, METHOD OF MAKING AND USE THEREOF	Not Available	8- Sep- 16	21- May- 18	20- Sep- 18
US20180265 574	Anti-pneumococcal hyperimmune globulin for the treatment and prevention of pneumococcal infection	Not Available	15- Mar- 17	15- Mar- 17	20- Sep- 18
US20180265 507	HOST TARGETED INHIBITORS OF DENGUE VIRUS AND OTHER VIRUSES	Dana-Farber Cancer Institute, Inc.	11- Apr- 12	26- Jan- 18	20- Sep- 18
US20180264 098	MODULATION OF REPLICATIVE FITNESS BY DEOPTIMIZATION OF SYNONYMOUS CODONS	The Government of the USA as represented by the Secretary of the Dept. of Health and Human Service	8- Oct- 04	31- May- 18	20- Sep- 18
US20180258 162	Methods Of Treating Inflammation Associated Airway Diseases And Viral Infections	Not Available	2- Jan- 15	22- May- 18	13- Sep- 18
US20180258 160	Optimized Crosslinkers for Trapping a Target on a Substrate	Not Available	13- Nov- 15	11- May- 18	13- Sep- 18
US20180258 159	COMPOSITIONS AND METHODS FOR THE TREATMENT OF IMMUNODEFICIENCY	Not Available	28- Oct- 14	14- May- 18	13- Sep- 18
US20180258 151	RECOMBINANT SUPER-COMPOUND INTERFERON AND USES THEREOF	Not Available	28- Feb- 01	2- Mar- 18	13- Sep- 18
US20180251 737	COMPOSITIONS, METHODS AND USES FOR INDUCING VIRAL GROWTH	Not Available	5- Dec- 08	28- Dec- 17	6- Sep- 18
US20180251 540	HUMAN MONOCLONAL ANTIBODIES AGAINST INTERLEUKIN 8 (IL-8)	Not Available	16- Dec- 02	30- Apr- 18	6- Sep- 18
US20180251 436	CERTAIN (2S)-N-[(1S)-1-CYANO-2-PHENYLETHYL]-1,4-OXAZEPANE-2-CARBOXAMIDES AS DIPEPTIDYL PEPTIDASE 1 INHIBITORS	Not Available	24- Jan- 14	19- Sep- 17	6- Sep- 18
US20180250 602	PAPAYA MOSAIC VIRUS COMPOSITIONS AND USES THEREOF FOR STIMULATION OF THE INNATE IMMUNE RESPONSE	Not Available	11- Feb- 14	1- May- 18	6- Sep- 18
US20180250 381	SOLUBLE NEEDLE ARRAYS FOR DELIVERY OF INFLUENZA VACCINES	Not Available	20- Aug- 10	12- Oct- 17	6- Sep- 18
US20180245 056	COMPOSITIONS FOR INCREASING POLYPEPTIDE STABILITY AND ACTIVITY, AND RELATED METHODS	Not Available	19- Nov- 09	9- Oct- 17	30- Aug- 18
US20180245 053	VIRAL VACCINES AND METHODS OF FORMING THE SAME	Not Available	27- Feb- 17	27- Feb- 18	30- Aug- 18
US20180244 759	NOVEL METHODS OF GENERATING ANTIBODIES	Rutgers, The State University of New Jersey	19- Aug- 15	18- Aug- 16	30- Aug- 18
US20180244 756	MIDDLE EAST RESPIRATORY SYNDROME CORONAVIRUS IMMUNOGENS, ANTIBODIES, AND THEIR USE	The United States of America, as Represented by the Secretary, Dept. of Health and Human Services	24- Feb- 15	24- Feb- 16	30- Aug- 18
US20180244 669	IMIDAZO[4,5-c] RING COMPOUNDS CONTAINING SUBSTITUTED GUANIDINE GROUPS	Not Available	31- Aug- 15	26- Aug- 16	30- Aug- 18
US20180244 660	CYCLOPROPYLDERIVATIVES AND THEIR USE AS KINASE INHIBITORS	Not Available	17- Aug- 15	17- Aug- 16	30- Aug- 18
US20180243 347	IMMUNOMODULATORY COMPOSITIONS AND METHODS OF USE THEREOF	Not Available	25- Aug- 15	22- Aug- 16	30- Aug- 18
US20180237 835	METHODS OF ANALYZING VIRUS-DERIVED THERAPEUTICS	American International Biotechnology, LLC	31- Jul-15	29- Jul- 16	23- Aug- 18
US20180237 788	IMPROVEMENTS IN OR RELATING TO DNA RECOMBINATION	The Regents of the University of California	8- Aug- 15	5- Aug- 16	23- Aug- 18
US20180237 786	ARTIFICIAL NUCLEIC ACID MOLECULES	CUREVAC AG	28- Aug- 15	22- Aug- 16	23- Aug- 18
US20180237 502	PAN-EBOLA AND PAN-FILOVIRUS PROTECTIVE EPITOPES, ANTIBODIES, AND ANTIBODY COCKTAILS	Integrated BioTherapeutics, Inc.	11- Mar- 15	11- Mar- 16	23- Aug- 18
US20180237 435	GUANIDINE SUBSTITUTED IMIDAZO[4,5-c] RING COMPOUNDS	Not Available	31- Aug- 15	26- Aug- 16	23- Aug- 18
US20180236 058	REVERSE GENETICS SYSTEMS	Not Available	31- Jul-09	16- Oct- 17	23- Aug- 18
US20180236 054	Tetanus Toxoid and CCL3 Improve DC Vaccines	Duke University	14- Nov- 13	19- Apr- 18	23- Aug- 18

US20180235 948	(S,E)-3-(6-AMINOPYRIDIN-3-YL)-N-((5-(4-(3-FLUORO-3-METHYLPYRROLIDINE-1-CARBONYL)PHENYL)-7-(4-FLUOROPHENYL)BENZOFURAN-2-YL)METHYL)ACRYLAMIDE FOR THE TREATMENT OF CANCER	Not Available	18- Aug- 15	18- Aug- 16	23- Aug- 18
US20180230 521	BIOAGENT DETECTION OLIGONUCLEOTIDES	Not Available	27- Dec- 11	13- Apr- 18	16- Aug- 18
US20180230 447	ACTIVE LOW MOLECULAR WEIGHT VARIANTS OF ANGIOTENSIN CONVERTING ENZYME 2 (ACE2)	Northwestern University	24- Jan- 17	24- Jan- 18	16- Aug- 18
US20180228 695	DEVICES, SYSTEM AND METHOD TO CONTROL THE DELIVERY OF ORAL MEDICATIONS TO ENSURE THEY ARE EFFICACIOUS , TAKEN AS PRESCRIBED, AND TO AVOID UNWANTED SIDE EFFECTS	Not Available	11- Aug- 15	11- Aug- 16	16- Aug- 18
US20180223 290	METHOD FOR PROPAGATING ADENOVIRAL VECTORS ENCODING INHIBITORY GENE PRODUCTS	GenVec, Inc.	10- Nov- 05	7- Sep- 17	9- Aug- 18
US20180222 906	SUBSTITUTED IMIDAZOQUINOLINES, IMIDAZOPYRIDINES, AND IMIDAZONAPHTHYRIDINES	3M Innovative Properties Company	18- Jun- 04	9- Apr- 18	9- Aug- 18
US20180221 464	IMMUNOGENIC COMPOSITIONS, ANTIGEN SCREENING METHODS, AND METHODS OF GENERATING IMMUNE RESPONSES	Not Available	3- Aug- 15	3- Aug- 16	9- Aug- 18
US20180216 164	HIGH DENSITY SELF-CONTAINED BIOLOGICAL ANALYSIS	Not Available	15- Nov- 06	19- Mar- 18	2- Aug- 18
US20180216 067	SYNTHETIC MEMBRANE-RECEIVER COMPLEXES	Not Available	18- Nov- 13	29- Mar- 18	2- Aug- 18
US20180215 831	Antibody Derivatives with Conditionally Enabled Effector Function	Not Available	27- Jul-15	27- Jul- 16	2- Aug- 18
US20180215 801	CRYPTIC POLYPEPTIDES AND USES THEREOF	Not Available	29- Jan- 15	29- Jan- 16	2- Aug- 18
US20180215 794	TREATING CANCER WITH VIRAL NUCLEIC ACID	Mayo Foundation for Medical Education and Research	20- Feb- 07	27- Mar- 18	2- Aug- 18
US20180214 430	Selective Inhibitors Of i-NOS For Use Against Viral Infection	UCL Business PLC	17- Jul-15	15- Jul- 16	2- Aug- 18
US20180209 960	Method of Determining, Identifying or Isolating Cell-Penetrating Peptides	Not Available	23- May- 11	11- Dec- 17	26- Jul- 18
US20180208 897	SYNTHETIC MEMBRANE-RECEIVER COMPLEXES	Not Available	18- Nov- 13	19- Mar- 18	26- Jul- 18
US20180208 659	ANTI-PD-L1 ANTIBODIES AND USES THEREOF	Not Available	13- Jun- 16	13- Jun- 17	26- Jul- 18
US20180208 653	METHODS FOR ENHANCING AN IMMUNE RESPONSE	Not Available	20- Jan- 17	19- Jan- 18	26- Jul- 18
US20180207 258	ADJUVANTED INFLUENZA VACCINES FOR PEDIATRIC USE	Not Available	22- Feb- 08	5- Mar- 18	26- Jul- 18
US20180207 145	PHARMACEUTICAL COMPOSITIONS COMPRISING DANIRIXIN FOR TREATING INFECTIOUS DISEASES	GlaxoSmithKline Intellectual Property (No. 2) Limited	12- May- 14	19- Mar- 18	26- Jul- 18
US20180201 998	COMPOSITIONS AND METHODS FOR DETECTION OF GENETIC DEAFNESS GENE MUTATION	CapitalBio Corporation	14- Jul-15	14- Jul- 15	19- Jul- 18
US20180201 907	METHODS FOR INCREASING THE INFECTIVITY OF VIRUSES	Not Available	26- Jan- 12	13- Mar- 18	19- Jul- 18
US20180201 687	ANTIBODIES HAVING SPECIFICITY TO MYOSIN 18A AND USES THEREOF	Not Available	7-Jul-15	7- Jul- 16	19- Jul- 18
US20180200 365	Methods and Compositions for Inhibiting Akt3	Not Available	17- Jan- 17	20- Feb- 18	19- Jul- 18
US20180200 364	LIPIDATED IMMUNE RESPONSE MODIFIER COMPOUND COMPOSITIONS, FORMULATIONS, AND METHODS	3M Innovative Properties Company	17- Aug- 10	27- Nov- 17	19- Jul- 18
US20180200 224	Antiviral Activity from Medicinal Mushrooms and Their Active Constituents	Not Available	31- Mar- 15	12- Mar- 18	19- Jul- 18
US20180200 196	Modular Particulars for Immunotherapy	Not Available	1- Nov- 13	3- Jan- 18	19- Jul- 18
US20180196 061	INFLUENZA POTENCY ASSAYS	Not Available	7-Jul-15	7- Jul- 16	12- Jul- 18
US20180195 048	METHODS FOR PRODUCING VIRUS FOR VACCINE PRODUCTION	Takeda Vaccines, Inc.	13- Feb- 15	12- Feb- 16	12- Jul- 18

US20180194 850	ANTAGONISTIC ANTI-TUMOR NECROSIS FACTOR RECEPTOR SUPERFAMILY ANTIBODIES	Not Available	15-May-15	13-May-16	12-Jul-18
US20180194 829	POLYPEPTIDES AND POLYNUCLEOTIDES, AND USES THEREOF FOR TREATMENT OF IMMUNE RELATED DISORDERS AND CANCER	Not Available	15-Apr-11	13-Nov-17	12-Jul-18
US20180194 735	Sulfinylphenyl or Sulfonimidoylphenyl Benzazepines	Hoffmann La-Roche Inc.	17-Sep-15	8-Mar-18	12-Jul-18
US20180193 477	DRUG-CONJUGATED BI-SPECIFIC ANTIGEN-BINDING CONSTRUCTS	Not Available	15-Jul-15	15-Jul-16	12-Jul-18
US20180187 213	Variant AAV and Compositions, Methods and Uses for Gene Transfer to Cells, Organs and Tissues	The Children's Hospital of Philadelphia	22-Jul-13	6-Dec-17	5-Jul-18
US20180187 211	METHODS AND COMPOSITIONS FOR COMBINATION IMMUNOTHERAPY	Not Available	9-Jan-15	7-Jan-16	5-Jul-18
US20180187 165	HAND, FOOT, AND MOUTH VACCINES AND METHODS OF MANUFACTURE AND USE THEREOF	Takeda Vaccines, Inc.	7-Nov-14	27-Oct-17	5-Jul-18
US20180187 154	SYNTHETIC MEMBRANE-RECEIVER COMPLEXES	Not Available	18-Nov-13	20-Feb-18	5-Jul-18
US20180187 153	SYNTHETIC MEMBRANE-RECEIVER COMPLEXES	Not Available	18-Nov-13	20-Feb-18	5-Jul-18
US20180187 131	DISINFECTING AQUEOUS FOAM, PROCESS FOR PREPARING SAME AND USE THEREOF	COMMISSARIAT A L'ENERGIE ATOMIQUE ET AUX ENERGIES ALTERNATIVES	16-Jun-15	15-Jun-16	5-Jul-18
US20180186 897	NOVEL VACCINES IN PREVENTION AND TREATMENT OF MALARIA	Not Available	26-Jun-15	24-Jun-16	5-Jul-18
US20180186 821	PROTEIN PROXIMITY ASSAY IN FORMALIN FIXED PAFFAFIN EMBEDDED TISSUE USING CAGED HAPTENS	Not Available	28-Aug-15	28-Feb-18	5-Jul-18
US20180186 802	COMPOUNDS AND COMPOSITIONS AS TOLL-LIKE RECEPTOR 7 AGONISTS	Not Available	1-May-14	27-Feb-18	5-Jul-18
US20180186 792	HETEROBIFUNCTIONAL LINKERS WITH POLYETHYLENE GLYCOL SEGMENTS AND IMMUNE RESPONSE MODIFIER CONJUGATES MADE THEREFROM	3M Innovative Properties Company	3-Jun-11	26-Feb-18	5-Jul-18
US20180186 534	Powdered Pouch And Method Of Making Same	MONOSOL, LLC	16-Apr-12	29-Dec-17	5-Jul-18
US20180185 469	COMPOSITIONS AND METHODS FOR TREATING AND PREVENTING PORCINE REPRODUCTIVE AND RESPIRATORY SYNDROME	Not Available	24-Apr-12	14-Dec-17	5-Jul-18
US20180185 392	Pharmaceutical Compositions and Methods	Not Available	3-Aug-15	29-Nov-17	5-Jul-18
US20180185 345	METHODS AND COMPOSITIONS FOR TREATING HERPESVIRUS INDUCED CONDITIONS	Not Available	19-Jun-15	17-Jun-16	5-Jul-18
US20180180 544	USE OF A FLUORESCENT MATERIAL TO DETECT FAILURE OR DETERIORATED PERFORMANCE OF A FLUOROMETER	Not Available	14-Jun-12	22-Feb-18	28-Jun-18
US20180179 300	GENERATION OF BINDING MOLECULES	Merus N.V.	26-Sep-11	22-Nov-17	28-Jun-18
US20180179 274	PROTEINS COMPRISING A MUTATED LAIR-1 FRAGMENT AND USES THEREOF	Not Available	26-Jun-15	24-Jun-16	28-Jun-18
US20180177 863	METHODS OF MAKING AND USING LIVE ATTENUATED VIRUSES	Not Available	23-Sep-15	31-Oct-17	28-Jun-18
US20180177 862	ANTIGENICALLY MATCHED INFLUENZA VACCINES	Not Available	26-Jun-15	24-Jun-16	28-Jun-18
US20180177 860	VACCINE CONTAINING VIRUS INACTIVATED BY GREEN TEA EXTRACT, AND PREPARATION METHOD THEREFOR	Not Available	11-Jun-15	7-Jun-16	28-Jun-18
US20180163 182	PROCESSES FOR PRODUCTION AND PURIFICATION OF NUCLEIC ACID-CONTAINING COMPOSITIONS	Human Services	10-Jun-15	10-Jun-16	14-Jun-18
US20180162 838	Chemical Compounds	Not Available	18-Mar-14	13-Dec-17	14-Jun-18
US20180162 835	QUINAZOLINONES AND AZAQUINAZOLINONES AS UBIQUITIN-SPECIFIC PROTEASE 7 INHIBITORS	Not Available	5-Feb-15	11-Dec-17	14-Jun-18
US20180161 425	NOVEL PROTEIN STRUCTURE USED FOR EFFICIENT ANTIBODY PRODUCTION IN IMMUNIZATION	Not Available	10-Dec-14	10-Dec-15	14-Jun-18



US20180161422	NUCLEIC ACID COMPRISING OR CODING FOR A HISTONE STEM-LOOP AND A POLY(A) SEQUENCE OR A POLYADENYLATION SIGNAL FOR INCREASING THE EXPRESSION OF AN ENCODED PATHOGENIC ANTIGEN	CureVac AG	15-Feb-12	8-Feb-18	14-Jun-18
US20180161279	GASTRO-RETENTIVE MODIFIED RELEASE DOSAGE FORMS FOR OPROZOMIB AND PROCESS TO MAKE THEREOF	Not Available	14-Dec-16	13-Dec-17	14-Jun-18
US20180160662	Transgenic Immunodeficient Mouse Expressing Human SIRP-alpha	Institut Pasteur	26-Mar-12	25-Jan-18	14-Jun-18
US20180149659	DIAGNOSIS AND TREATMENT OF MERS-RELATED RENAL DISEASE	Not Available	4-Jun-15	3-Jun-16	31-May-18
US20180148727	ARTIFICIAL NUCLEIC ACID MOLECULES	Not Available	30-Dec-14	29-Dec-15	31-May-18
US20180142239	METHODS AND COMPOSITIONS FOR THE TREATMENT OF CANCER OR OTHER DISEASES	Not Available	26-Jan-07	14-Jun-17	24-May-18
US20180142198	DELIVERY OF BIOMOLECULES TO IMMUNE CELLS	Not Available	31-Oct-14	30-Oct-15	24-May-18
US20180142006	ANTIBODY PRODUCING NON-HUMAN ANIMALS	Merus N.V.	27-Jun-08	12-Jan-18	24-May-18
US20180142005	ANTIBODY PRODUCING NON-HUMAN ANIMALS	Merus N.V.	27-Jun-08	12-Jan-18	24-May-18
US20180142004	ANTIBODY PRODUCING NON-HUMAN ANIMALS	Merus N.V.	27-Jun-08	11-Jan-18	24-May-18
US20180142003	ANTIBODY PRODUCING NON-HUMAN ANIMALS	Merus N.V.	27-Jun-08	9-Jan-18	24-May-18
US20180142002	ANTIBODY PRODUCING NON-HUMAN ANIMALS	Merus N.V.	27-Jun-08	5-Jan-18	24-May-18
US20180140659	ANALOGS OF C5a AND METHODS OF USING SAME	Not Available	29-Jun-10	12-Jan-18	24-May-18
US20180140625	PRODUCTION OF STABLE NON-POLYADENYLATED RNAS	Massachusetts Institute of Technology	16-Oct-12	31-Jul-17	24-May-18
US20180140580	METHOD OF TREATING OR INHIBITING THE DEVELOPMENT OF BRAIN INFLAMMATION AND SEPSIS	Not Available	29-Nov-02	23-Oct-17	24-May-18
US20180135099	NANOREPORTERS AND METHODS OF MANUFACTURING AND USE THEREOF	Not Available	23-Dec-05	2-Jan-18	17-May-18
US20180135012	MEMBRANE-RECEIVER COMPLEX THERAPEUTICS	Not Available	13-May-15	13-May-16	17-May-18
US20180134783	HUMAN MONOCLONAL ANTIBODIES AGAINST INTERLEUKIN 8 (IL-8)	Not Available	16-Dec-02	26-Apr-16	17-May-18
US20180134770	ANTIBODY PRODUCING NON-HUMAN ANIMALS	Merus N.V.	27-Jun-08	12-Jan-18	17-May-18
US20180133246	INHALATION OF NITRIC OXIDE FOR TREATING RESPIRATORY DISEASES	Not Available	7-Mar-12	1-Nov-17	17-May-18
US20180127836	IMPROVED COMPOSITIONS AND METHODS FOR DETECTION OF VIRUSES	Not Available	7-May-15	6-May-16	10-May-18
US20180127783	CRISPR-RELATED METHODS AND COMPOSITIONS WITH GOVERNING gRNAS	EDITAS MEDICINE, INC.	7-Nov-13	29-Nov-17	10-May-18
US20180127384	HYDRAZIDE CONTAINING NUCLEAR TRANSPORT MODULATORS AND USES THEREOF	Not Available	29-Jul-11	21-Jun-17	10-May-18
US20180125965	HAND, FOOT, AND MOUTH VACCINES AND METHODS OF MANUFACTURE AND USE THEREOF	Takeda Vaccines, Inc.	7-Nov-14	6-Nov-15	10-May-18
US20180125952	PRIME-BOOST REGIMENS INVOLVING ADMINISTRATION OF AT LEAST ONE mRNA CONSTRUCT	Not Available	15-May-15	13-May-16	10-May-18
US20180125883	INHALATION OF NITRIC OXIDE FOR TREATING RESPIRATORY DISEASES	Not Available	7-Mar-12	20-Sep-17	10-May-18
US20180112270	C-CBL MUTATIONS AND USES THEREOF	Not Available	4-Jun-10	22-Mar-16	26-Apr-18
US20180111991	MODULATORS OF ACTIVIN AND METHODS FOR MODULATING IMMUNE RESPONSES AND T FOLLICULAR HELPER CELLS	Not Available	2-Dec-14	2-Jun-17	26-Apr-18



US20180111907	DENDRIMER LIKE AMINO AMIDES POSSESSING SODIUM CHANNEL BLOCKER ACTIVITY FOR THE TREATMENT OF DRY EYE AND OTHER MUCOSAL DISEASES	Not Available	29-May-12	20-Dec-17	26-Apr-18
US20180110845	METHOD OF PROVIDING PATIENT SPECIFIC IMMUNE RESPONSE IN AMYLOIDOSES AND PROTEIN AGGREGATION DISORDERS	Not Available	31-Aug-07	18-Dec-17	26-Apr-18
US20180105815	Bivalent siRNA Chimeras and Methods of Use Thereof	Not Available	18-Oct-16	6-Oct-17	19-Apr-18
US20180105596	ANTI-TYRO3 ANTIBODIES AND USES THEREOF	Not Available	17-Apr-15	15-Apr-16	19-Apr-18
US20180105514	HETEROCYCLIC AMIDES USEFUL AS PROTEIN MODULATORS	Not Available	7-Apr-16	3-Jan-18	19-Apr-18
US20180104241	CHEMICALLY AND METABOLICALLY STABLE DIPEPTIDE POSSESSING POTENT SODIUM CHANNEL BLOCKER ACTIVITY	PARION SCIENCES, INC.	27-Jun-11	15-Dec-17	19-Apr-18
US20180100181	METHODS FOR DETECTING AGGLUTINATION AND COMPOSITIONS FOR USE IN PRACTICING THE SAME	Not Available	17-Apr-15	15-Apr-16	12-Apr-18
US20180099999	FUSION PROTEINS, RECOMBINANT BACTERIA, AND METHODS FOR USING RECOMBINANT BACTERIA	Not Available	17-Sep-14	14-Dec-17	12-Apr-18
US20180098972	TREATMENT OF INFECTIOUS DISEASES	CHILDREN'S MEDICAL CENTER CORPORATION	26-Jan-15	26-Jan-16	12-Apr-18
US20180092932	Anti-Viral Azide Containing Compounds	Not Available	28-Jul-10	7-Dec-17	5-Apr-18
US20180087049	MAXIMIZING DNA YIELD OF BLOOD SPECIMENS COLLECTED IN RAPID CLOT TUBES	Not Available	27-Sep-16	7-Sep-17	29-Mar-18
US20180086818	COMPOSITIONS AND METHODS FOR THE TREATMENT OF IMMUNODEFICIENCY	Not Available	28-Oct-14	13-Nov-17	29-Mar-18
US20180085457	ANTIBODY/T-CELL RECEPTOR CHIMERIC CONSTRUCTS AND USES THEREOF	Not Available	23-Oct-15	1-Dec-17	29-Mar-18
US20180085432	STING (Stimulator of Interferon Genes), A Regulator of Innate Immune Responses	Not Available	4-Aug-08	15-Sep-17	29-Mar-18
US20180085388	DELIVERY OF RNA TO TRIGGER MULTIPLE IMMUNE PATHWAYS	GLAXOSMITHKLINE BIOLOGICALS, SA	6-Jul-10	5-Oct-17	29-Mar-18
US20180079746	HETEROCYCLIC MODULATORS OF LIPID SYNTHESIS	Not Available	19-Mar-15	15-Mar-16	22-Mar-18
US20180078625	COMPOSITIONS AND METHODS FOR DELIVERY OF BIOMACROMOLECULE AGENTS	Not Available	25-Mar-15	25-Mar-16	22-Mar-18
US20180078532	IMMEDIATE RELEASE FORMULATIONS FOR OPROZOMIB	AMGEN INC.	21-Sep-16	18-Sep-17	22-Mar-18
US20180078507	BIODEGRADABLE POLYMERIC PARTICLES ENCAPSULATING AN ACTIVE AGENT, PHARMACEUTICAL COMPOSITIONS AND USES THEREOF	Not Available	16-Sep-16	15-Sep-17	22-Mar-18
US20180073073	METHODS AND COMPOSITIONS FOR LABELING TARGETS AND HAPLOTYPE PHASING	Not Available	18-Mar-15	16-Mar-16	15-Mar-18
US20180072813	CARBONIC ANHYDRASE IX (G250) ANTIBODIES AND METHODS OF USE THEREOF	Not Available	2-Dec-05	9-May-17	15-Mar-18
US20180072796	MAST CELL STABILIZERS FOR TREATMENT OF HYPERCYTOKINEMIA AND VIRAL INFECTION	Not Available	8-Sep-16	17-Nov-17	15-Mar-18
US20180072752	COUMARIN DERIVATIVE AS ANTIVIRAL AGENT, PHARMACEUTICAL COMPOSITION THEREOF, ITS PREPARATION AND USE	Not Available	30-Mar-15	2-Feb-16	15-Mar-18
US20180071219	Technology for Preparation of Macromolecular Microspheres	Not Available	24-Jan-06	25-Sep-17	15-Mar-18
US20180067299	ENDOSCOPIC APPARATUS FOR THERMAL DISTRIBUTION MONITORING	ELECTRONICS AND TELECOMMUNICATIONS RESEARCH INSTITUTE	7-Sep-16	31-May-17	8-Mar-18
US20180066228	Detection of T Cell Exhaustion or Lack of T Cell Costimulation and Uses Thereof	Not Available	15-May-15	15-Nov-17	8-Mar-18
US20180066216	CLEANING COMPOSITION, METHOD OF MAKING AND USE THEREOF	Not Available	8-Sep-16	6-Sep-17	8-Mar-18
US20180065981	HETEROCYCLYMETHYL-THIENOURACILE AS ANTAGONISTS OF THE ADENOSINE-A2B-RECEPTOR	Not Available	26-Mar-15	21-Mar-16	8-Mar-18

US20180064 790	Composition for Treatment or Prevention of Infectious Inflammatory Diseases, or Composition for Immune Enhancement, Comprising Tryptophanyl-tRNA Synthetase as an Active Ingredient	Not Available	26- Feb- 15	25- Aug -17	8- Mar -18
US20180064 752	ANIONICALLY MODIFIED POLYALLYLAMINE DERIVATIVE, USE OF ANIONICALLY MODIFIED POLYALLYLAMINE DERIVATIVE AS MEDICINE, PARTICULARLY FOR PROPYLAXIS AND TREATMENT OF INFECTIONS OF RESPIRATORY TRACT CAUSED BY HUMAN METAPNEUMOVIRUS (HMPV), HUMAN RHINOVIRUSES (HRV), AND INFECTION BY INFLUENZA VIRUS TYPE A (IAV) AND PHARMACEUTICAL COMPOSITION COMPRISING THE ANIONICALLY MODIFIED POLYALLYLAMINE DERIVATIVE	Not Available	29- Jul-14	25- Oct -17	8- Mar -18
US20180058 988	SAMPLE FIXATION AND STABILISATION	Not Available	1- Mar- 13	14- Aug -17	1- Mar -18
US20180057 871	COMPOSITIONS AND METHODS FOR DETECTING RARE SEQUENCE VARIANTS	Not Available	15- Aug- 16	1- Nov -17	1- Mar -18
US20180057 841	METHOD OF INCREASING THE FUNCTION OF AN AAV VECTOR	Not Available	7- Apr- 05	27- Oct -17	1- Mar -18
US20180057 817	Particle-Nucleic Acid Conjugates and Therapeutic Uses Related Thereto	Not Available	25- Jun- 12	9- Oct -17	1- Mar -18
US20180057 594	PSEUDOTYPED ONCOLYTIC VIRAL DELIVERY OF THERAPEUTIC POLYPEPTIDES	Not Available	30- Jun- 16	29- Sep -17	1- Mar -18
US20180057 509	ALKYLOXY SUBSTITUTED THIAZOLOQUINOLINES AND THIAZOLONAPHTHYRIDINES	Not Available	9- Feb- 05	2- Nov -17	1- Mar -18
US20180057 488	COMPOSITIONS AND METHODS FOR INHIBITING KINASES	Not Available	23- Apr- 15	7- Nov -17	1- Mar -18
US20180055 925	DISPLAY PLATFORM FROM BACTERIAL SPORE COAT PROTEINS	The United States of America, as represented by the Secretary, Department of Health and Human Serv	3- Mar- 15	7- Aug -15	1- Mar -18
US20180055 769	CIRCULATION OF COMPONENTS DURING MICROFLUIDIZATION AND/OR HOMOGENIZATION OF EMULSIONS	Not Available	3- Dec- 09	26- Jun -17	1- Mar -18
US20180051 267	TAL EFFECTOR-MEDIATED DNA MODIFICATION	Not Available	10- Dec- 09	5- Oct -17	22- Feb -18
US20180051 266	TAL EFFECTOR-MEDIATED DNA MODIFICATION	Not Available	10- Dec- 09	21- Aug -17	22- Feb -18
US20180050 059	DELIVERY OF RNA TO DIFFERENT CELL TYPES	GLAXOSMITHKLINE BIOLOGICALS, SA	6-Jul- 10	30- Aug -17	22- Feb -18
US20180044 687	ARTIFICIAL NUCLEIC ACID MOLECULES FOR IMPROVED PROTEIN EXPRESSION	Not Available	12- Dec- 14	11- Dec -15	15- Feb -18
US20180044 328	PEPTIDYL NITRIL COMPOUNDS AS DIPEPTIDYL PEPTIDASE I INHIBITORS	Prozymex A/S	5- Mar- 15	4- Mar -16	15- Feb -18
US20180043 007	INFLUENZA VIRUS VECTORS AND USES THEREFOR	Not Available	17- Mar- 14	21- Aug -17	15- Feb -18
US20180037 952	SYSTEM AND METHOD FOR DNA SEQUENCING AND BLOOD CHEMISTRY ANALYSIS	Nanomediical Diagnostics, Inc.	28- Apr- 14	21- Aug -17	8- Feb -18
US20180037 942	ENZYME-INDEPENDENT MOLECULAR INDEXING	Not Available	3- Aug- 16	1- Aug -17	8- Feb -18
US20180037 871	CANCER INITIATING CELL AND USE THEREOF	Not Available	8- Aug- 16	8- Aug -16	8- Feb -18
US20180037 636	STRUCTURED VIRAL PEPTIDE COMPOSITIONS AND METHODS OF USE	DANA-FARBER CANCER INSTITUTE, INC.	18- Jun- 09	21- Sep -17	8- Feb -18
US20180037 634	ENGINEERED POLYPEPTIDES AND USES THEREOF	Not Available	2- Aug- 16	2- Aug -17	8- Feb -18
US20180037 617	METHODS AND COMPOSITIONS FOR TREATING AND/OR PREVENTING A DISEASE OR DISORDER ASSOCIATED WITH ABNORMAL LEVEL AND/OR ACTIVITY OF THE IFP35 FAMILY OF PROTEINS	Institute of Biophysics, Chinese Academy of Sciences	22- Aug- 14	21- Aug -15	8- Feb -18
US20180036 398	FLAVIVIRUS REPLICONS	Not Available	27- Feb- 15	25- Feb -16	8- Feb -18

US20180036 237	OIL/SURFACTANT MIXTURES FOR SELF-EMULSIFICATION	GLAXOSMITHKLINE BIOLOGICALS, SA	23- Feb- 15	23- Feb- 16	8- Feb- 18
US20180031 555	METHOD FOR SELECTING A SINGLE CELL EXPRESSING A HETEROGENEOUS COMBINATION OF ANTIBODIES	Merus N.V.	27- Jun- 08	18- Jul- 17	1- Feb- 18
US20180030 429	Polypeptide Assemblies and Methods for the Production Thereof	Not Available	27- Feb- 15	29- Feb- 16	1- Feb- 18
US20180030 411	SYNTHETIC MEMBRANE-RECEIVER COMPLEXES	Not Available	18- Nov- 13	13- Oct- 17	1- Feb- 18
US20180028 677	Peptides for Assisting Delivery Across the Blood Brain Barrier	Children's Medical Center Corporation	22- May- 06	30- Jun- 17	1- Feb- 18
US20180028 626	IMMUNOTHERAPEUTIC VACCINE AND ANTIBODY COMBINATION THERAPY	Transgene SA	13- Feb- 15	12- Feb- 16	1- Feb- 18
US20180028 562	METHODS OF TREATING OR PREVENTING INFLAMMATION AND HYPERSENSITIVITY WITH OXIDATIVE REDUCTIVE POTENTIAL WATER SOLUTION	SONOMA PHARMACEUTICALS, INC.	20- Jan- 06	10- Oct- 17	1- Feb- 18
US20180028 449	Technology for the Preparation of Microparticles	Not Available	24- Jul-07	27- Jun- 17	1- Feb- 18
US20180028 431	POLYMER-BASED ANTIMICROBIAL COMPOSITIONS AND METHODS OF USE THEREOF	eXion labs Inc.	28- Jul-16	27- Jul- 17	1- Feb- 18
US20180023 048	ANIMAL PROTEIN-FREE MEDIA FOR CULTIVATION OF CELLS	Not Available	29- Oct- 04	22- Sep- 17	25- Jan- 18
US20180022 781	POLYPEPTIDES FOR ENGINEERING INTEGRASE CHIMERIC PROTEINS AND THEIR USE IN GENE THERAPY	CENTRE NATIONAL DE LA RECHERCHE SCIENTIFIQUE (CNRS)	13- Feb- 15	12- Feb- 16	25- Jan- 18
US20180021 448	Conjugates of Cell Binding Molecules with Cytotoxic Agents	Hangzhou DAC Biotech Co., Ltd.	12- Jul-12	16- Apr- 14	25- Jan- 18
US20180016 307	GRIFFITHSIN MUTANTS	The United States of America, as represented by the Secretary, Department of Health and Human Serv	10- Feb- 15	10- Feb- 16	18- Jan- 18
US20180016 285	Boron-Containing Small Molecules	Not Available	20- Jun- 07	28- Sep- 17	18- Jan- 18
US20180016 243	HUMAN HELICASE DDX3 INHIBITORS AS THERAPEUTIC AGENTS	Not Available	13- Feb- 15	12- Feb- 16	18- Jan- 18
US20180015 174	SYNTHETIC NANOPARTICLES FOR DELIVERY OF IMMUNOMODULATORY COMPOUNDS	Not Available	15- Jul-16	14- Jul- 17	18- Jan- 18
US20180015 052	DESIGN, SYNTHESIS AND METHODS OF USE OF ACYCLIC FLEXMIER NUCLEOSIDE ANALOGUES HAVING ANTI-CORONAVIRUS ACTIVITY	Not Available	30- Jan- 15	28- Jan- 16	18- Jan- 18
US20180010 167	ORGANISM IDENTIFICATION PANEL	Not Available	2- Apr- 07	26- Jul- 17	11- Jan- 18
US20180010 125	DOUBLE-STRANDED OLIGONUCLEOTIDE MOLECULES TO DDIT4 AND METHODS OF USE THEREOF	Quark Pharmaceuticals Inc.	12- Sep- 12	15- Feb- 17	11- Jan- 18
US20180009 787	NOVEL COMPOUNDS	CHIESI FARMACEUTICI S.P.A.	31- May- 16	22- Sep- 17	11- Jan- 18
US20180008 689	RNA VIRUS ATTENUATION BY ALTERATION OF MUTATIONAL ROBUSTNESS AND SEQUENCE SPACE	Not Available	28- Jan- 15	28- Jan- 16	11- Jan- 18
US20180002 743	FLUOROGENIC PROBES AND THEIR USE IN QUANTITATIVE DETECTION OF TARGET RNA SEQUENCES	Not Available	18- Jun- 16	16- Jun- 17	4- Jan- 18
US20180002 406	NEUTRALIZING GP41 ANTIBODIES AND THEIR USE	The United States of America, as represented by the Secretary, Department of Health and Human	7- Nov- 11	8- Sep- 17	4- Jan- 18
US20180000 929	D-AMINO ACID DERIVATIVE-MODIFIED PEPTIDOGLYCAN AND METHODS OF USE THEREOF	Not Available	30- Nov- 12	14- Sep- 17	4- Jan- 18
US20180000 926	METHODS OF INDUCING AN IMMUNE RESPONSE TO HEPATITIS C VIRUS	Not Available	15- Jan- 15	15- Jan- 16	4- Jan- 18
US20180000 868	Induced Hepatocytes and Uses Thereof	Not Available	26- Nov- 14	15- Sep- 17	4- Jan- 18
US20180000 724	METHODS FOR INDUCING AN IMMUNE RESPONSE VIA BUCCAL AND/OR SUBLINGUAL ADMINISTRATION OF A VACCINE	Not Available	26- Jul-10	10- May- 17	4- Jan- 18
US20170369 843	SYNTHETIC MEMBRANE-RECEIVER COMPLEXES	Not Available	18- Nov- 13	29- Mar- 17	28- Dec- 17
US20170369 470	Cyclic Compounds and Uses Thereof	Not Available	16- Dec- 14	16- Dec- 15	28- Dec- 17

US20170368 203	Compositions For Enhancing Transport Of Molecules Into Cells	Not Available	29- Apr- 03	10- Jan -17	28- Dec -17
US20170368 201	SCALABLE MANUFACTURING PROCESS TO PRODUCE RECOMBINANT LENTIVIRAL VECTORS IN SERUM-FREE SUSPENSION CELL CULTURE SYSTEM	The Children's Hospital of Philadelphia	15- Mar- 13	8- Sep -17	28- Dec -17
US20170368 167	COMPOSITIONS AND METHODS RELATED TO NEUROLOGICAL DISORDERS	Not Available	21- Aug- 12	6- Jun -16	28- Dec -17
US20170362 300	OLIGOPEPTIDE-FREE CELL CULTURE MEDIA	Not Available	4- Jan- 06	7- Aug -17	21- Dec -17
US20170362 297	CHIMERIC ANTIGEN RECEPTORS AND METHODS OF USE THEREOF	Not Available	19- Dec- 14	21- Dec -15	21- Dec -17
US20170362 187	3,5-DIAMINO-6-CHLORO-N-(N-(4-PHENYLBUTYL)CARBAMIMIDOYL) PYRAZINE-2- CARBOXAMIDE COMPOUNDS	Parion Sciences, Inc.	17- Dec- 12	29- Jun -17	21- Dec -17
US20170362 170	HEPATITIS C ANTIVIRAL COMPOSITIONS AND METHODS	Not Available	3- Aug- 07	29- Jun -17	21- Dec -17
US20170360 962	NOVEL RECOMBINANT ADENO-ASSOCIATED VIRUS CAPSIDS RESISTANT TO PRE-EXISTING HUMAN NEUTRALIZING ANTIBODIES	Not Available	16- Feb- 16	18- Aug -17	21- Dec -17
US20170360 960	AAV Vectors Targeted to the Central Nervous System	Not Available	21- Nov- 14	20- Nov -15	21- Dec -17
US20170360 908	VACCINE PHARMACEUTICAL COMPOSITION FOR CELL-MEDIATED IMMUNITY CONTAINING BISPHOSPHONATES	NITTO DENKO CORPORATION	3- Sep- 14	2- Sep -15	21- Dec -17
US20170360 881	PEPTIDOMIMETIC MACROCYCLES AND USES THEREOF	Not Available	17- Jun- 16	16- Jun -17	21- Dec -17
US20170360 875	METHODS FOR TREATING IMMUNE-MEDIATED VIRAL INFECTIONS	MIDDLE TENNESSEE STATE UNIVERSITY	22- Dec- 14	22- Dec -15	21- Dec -17
US20170358 082	STAIN-FREE HISTOPATHOLOGY BY CHEMICAL IMAGING	Not Available	15- Mar- 13	2- Aug -17	14- Dec -17
US20170354 727	MODULATION OF REPLICATIVE FITNESS BY DEOPTIMIZATION OF SYNONYMOUS CODONS	Not Available	8- Oct- 04	23- Aug -17	14- Dec -17
US20170348 433	NOVEL RECOMBINANT ADENO-ASSOCIATED VIRUS CAPSIDS RESISTANT TO PRE-EXISTING HUMAN NEUTRALIZING ANTIBODIES	The Board of Trustees of the Leland Stanford Junior University	16- Feb- 16	16- Feb -17	7- Dec -17
US20170348 402	SYSTEM AND METHOD FOR DELIVERING GENETIC MATERIAL OR PROTEIN TO CELLS	Not Available	30- Jul-14	30- Jul- 15	7- Dec -17
US20170348 369	Plant Extract and Its Therapeutic Use	Not Available	16- May- 08	18- Jul- 17	7- Dec -17
US20170342 442	RECOMBINANT SELF-REPLICATING POLYCYSTRONIC RNA MOLECULES	GLAXOSMITHKLINE BIOLOGICALS, SA	11- Oct- 11	15- Aug -17	30- Nov -17
US20170342 405	MOLECULAR INDEXING OF INTERNAL SEQUENCES	Not Available	31- May- 16	16- May -17	30- Nov -17
US20170342 056	NOVEL COMPOUNDS	CHIESI FARMACEUTICI S.P.A.	31- May- 16	26- May -17	30- Nov -17
US20170340 735	Anti-TIGIT Antigen-Binding Proteins and Methods of Use Thereof	Not Available	1- Oct- 15	19- Jun -17	30- Nov -17
US20170340 725	COMBINATION PIV3/HMPV RNA VACCINES	ModernaTX, Inc.	22- Oct- 15	11- Aug -17	30- Nov -17
US20170340 721	METHODS AND COMPOSITIONS FOR ENHANCING IMMUNE RESPONSES	Not Available	3- Sep- 14	3- Sep -15	30- Nov -17
US20170340 611	NOVEL COMPOUNDS	CHIESI FARMACEUTICI S.P.A.	31- May- 16	26- May -17	30- Nov -17
US20170337 459	SPATIALLY ADDRESSABLE MOLECULAR BARCODING	Not Available	27- Feb- 15	2- Aug -17	23- Nov -17
US20170336 412	Multiplex Immuno Screening Assay	Institut Pasteur	4- May- 12	19- Jul- 17	23- Nov -17
US20170336 411	B-CELL ANTIGEN PRESENTING CELL ASSAY	The University of Pittsburgh - Of the Commonwealth System of Higher Education	8- Apr- 10	9- Aug -17	23- Nov -17
US20170335 408	Methods and Systems of Multi-Assay Processing and Analysis	Not Available	15- Mar- 16	15- Mar -17	23- Nov -17

US20170335 374	METHODS AND COMPOSITIONS FOR IDENTIFICATION OF SOURCE OF MICROBIAL CONTAMINATION IN A SAMPLE	Not Available	6- Mar- 12	6- Jul- 17	23- Nov- 17
US20170334 984	HUMAN MONOCLONAL ANTIBODIES AGAINST INTERLEUKIN 8 (IL-8)	Not Available	16- Dec- 02	26- Apr- 16	23- Nov- 17
US20170334 973	NON-HUMAN PRIMATE-DERIVED PAN-EBOLA AND PAN-FILOVIRUS MONOCLONAL ANTIBODIES DIRECTED AGAINST ENVELOPE GLYCOPROTEINS	Not Available	28- Oct- 14	27- Oct- 15	23- Nov- 17
US20170334 941	2',2'-DIHALO NUCLEOSIDE ANALOGS FOR TREATMENT OF THE FLAVIVIRIDAE FAMILY OF VIRUSES AND CANCER	Not Available	31- Oct- 14	30- Oct- 15	23- Nov- 17
US20170334 919	2-((4-AMINO-3-(3-FLUORO-5-HYDROXYPHENYL)-1H-PYRAZOLO[3,4-D]PYRIMIDIN-1-YL)METHYL)-3-(2-(TRIFLUORO-METHYL)BENZYL)QUINAZOLIN-4(3H)-ONE DERIVATIVES AND THEIR USE AS PHOSPHOINOSITIDE 3-KINASE INHIBITORS	RESPIVERT LTD.	15- Mar- 13	27- Jul- 17	23- Nov- 17
US20170334 864	3,5-DIAMINO-6-CHLORO-N-(N-(4-(4-(2-(HEXYL(2,3,4,5,6-PENTAHYDROXYHEXYL)AMINO)ETHOXY)PHENYL)BUTYL)CARBAMIMIDOYL)PYRAZINE-2-CARBOXAMIDE	Parion Sciences, Inc.	27- Jun- 11	1- Mar- 17	23- Nov- 17
US20170333 586	ADDITIVE COMPOSITIONS FOR PIGMENTED DISINFECTION AND METHODS THEREOF	Not Available	8- Dec- 14	23- May- 15	23- Nov- 17
US20170333 553	LIPIDATED IMMUNE RESPONSE MODIFIER COMPOUND COMPOSITIONS, FORMULATIONS, AND METHODS	Not Available	21- May- 13	1- Aug- 17	23- Nov- 17
US20170333 494	PROBIOTIC THERAPEUTIC APPLICATIONS	Not Available	10- Nov- 14	9- Nov- 15	23- Nov- 17
US20170333 457	Anti-Viral Azide Containing Compounds	Not Available	28- Jul-10	8- Aug- 17	23- Nov- 17
US20170333 267	MOBILE CLINICS	Baylor College of Medicine	12- Nov- 14	11- Nov- 15	23- Nov- 17
US20170328 819	SAMPLE FIXATION AND STABILISATION	Not Available	1- Mar- 13	30- May- 17	16- Nov- 17
US20170327 543	POLYIONIC PAPILLOMA VIRUS-LIKE PARTICLE (VLP) VACCINES	Not Available	8- Sep- 10	31- Jan- 17	16- Nov- 17
US20170327 472	CHLORO-PYRAZINE CARBOXAMIDE DERIVATIVES WITH EPITHELIAL SODIUM CHANNEL BLOCKING ACTIVITY	Parion Sciences, Inc.	17- Dec- 12	7- Mar- 17	16- Nov- 17
US20170327 439	DIHYDRONAPHTHALENE DERIVATIVE	ONO PHARMACEUTICAL CO., LTD.	3- Dec- 14	3- Dec- 14	16- Nov- 17
US20170326 256	RECOMBINANT PROMOTERS AND VECTORS FOR PROTEIN EXPRESSION IN LIVER AND USE THEREOF	Children's Healthcare of Atlanta, Inc.	16- Apr- 15	15- Apr- 16	16- Nov- 17
US20170326 123	Throat solution for treatment of cold, flu and sore throat	Not Available	12- May- 16	12- May- 16	16- Nov- 17
US20170322 682	SYSTEM AND METHOD FOR DETECTING, COLLECTING, ANALYZING, AND COMMUNICATING EVENT-RELATED INFORMATION	Georgetown University	25- Feb- 08	27- Jul- 17	9- Nov- 17
US20170322 201	ANTIGEN PRESENTING CELL ASSAY	University of Pittsburgh - Of the Commonwealth System of Higher Education	8- Apr- 10	20- Jul- 17	9- Nov- 17
US20170321 192	Recombinant RNA Viruses and Uses Thereof	Icahn School of Medicine at Mount Sinai	6- Jun- 10	6- Apr- 17	9- Nov- 17
US20170319 712	METHODS AND COMPOSITIONS FOR ENHANCING IMMUNE RESPONSE	3M INNOVATIVE PROPERTIES COMPANY	10- Apr- 03	27- Jul- 17	9- Nov- 17
US20170319 673	TRI-SEGMENTED ARENAVIRUSES AS VACCINE VECTORS	Not Available	13- Nov- 14	12- Nov- 15	9- Nov- 17
US20170319 551	NUCLEAR TRANSPORT MODULATORS AND USES THEREOF	Not Available	9- May- 12	24- Jan- 17	9- Nov- 17
US20170313 765	DIRECT EXPRESSION OF ANTIBODIES	Not Available	29- Oct- 14	28- Oct- 15	2- Nov- 17
US20170313 685	BROAD-SPECTRUM NON-COVALENT CORONAVIRUS PROTEASE INHIBITORS	Purdue Research Foundation	28- Apr- 16	28- Apr- 17	2- Nov- 17
US20170312 371	MODIFIED VIRUS-LIKE PARTICLES OF CMV	SAIBA GMBH	22- Oct- 14	20- Oct- 15	2- Nov- 17

US20170312 357	MANUFACTURE OF SURFACTANT-CONTAINING COMPOSITIONS	Not Available	2- Dec- 14	2- Dec- 15	2- Nov- 17
US20170308 679	BIOSECURITY SCREENING SYSTEM AND METHOD	Not Available	16- Oct- 14	12- Oct- 15	26- Oct- 17
US20170307 562	CHEMICALLY DIFFERENTIATED SENSOR ARRAY	Nanomediical Diagnostics, Inc.	28- Apr- 14	8- May- 17	26- Oct- 17
US20170306 354	ADENO-ASSOCIATED VIRUS (AAV) SEROTYPE 8 SEQUENCES, VECTORS CONTAINING SAME, AND USES THEREFOR	Not Available	17- Dec- 01	1- May- 17	26- Oct- 17
US20170306 293	MEANS AND METHODS FOR INFLUENCING THE STABILITY OF ANTIBODY PRODUCING CELLS	Not Available	9- Dec- 05	2- Jun- 17	26- Oct- 17
US20170306 001	CHIMERIZATION AND CHARACTERIZATION OF A MONOCLONAL ANTIBODY WITH POTENT NEUTRALIZING ACTIVITY ACROSS MULTIPLE INFLUENZA A H5N1 CLADES	NATIONAL UNIVERSITY OF SINGAPORE	27- Mar- 14	27- Mar- 15	26- Oct- 17
US20170305 868	ARYLALKYL-AND ARYLOXYALKYL-SUBSTITUTED EPITHELIAL SODIUM CHANNEL BLOCKING COMPOUNDS	Parion Sciences, Inc.	13- Dec- 13	1- Mar- 17	26- Oct- 17
US20170304 829	PRINTED CIRCUIT BOARD HEATER FOR AN AMPLIFICATION MODULE	Click Diagnostics, Inc.	22- Apr- 16	21- Apr- 17	26- Oct- 17
US20170304 466	AAV-Based Gene Therapy	Not Available	6- Oct- 14	6- Oct- 15	26- Oct- 17
US20170304 459	METHODS AND COMPOSITIONS FOR INHALATION DELIVERY OF CONJUGATED OLIGONUCLEOTIDE	Not Available	10- Oct- 14	7- Oct- 15	26- Oct- 17
US20170304 429	VACCINATION OF IMMUNOCOMPROMISED SUBJECTS	Not Available	26- Sep- 14	25- Sep- 15	26- Oct- 17
US20170304 420	POLYMER ADJUVANT	Oxford University Innovation Limited	10- Oct- 14	9- Oct- 15	26- Oct- 17
US20170304 354	TREATMENT OF DISEASE WITH POLY-N-ACETYLGUCOSAMINE NANOFIBERS	Marine Polymer Technologies, Inc.	15- Apr- 11	13- Mar- 17	26- Oct- 17
US20170299 591	EXOSOME-MEDIATED DIAGNOSIS OF HEPATITIS VIRUS INFECTIONS AND DISEASES	Not Available	6- Oct- 08	13- Dec- 16	19- Oct- 17
US20170298 100	ANTI-VIRAL PEPTIDES	Not Available	1- Oct- 14	30- Sep- 15	19- Oct- 17
US20170296 663	Conjugates of Cell Binding Molecules with Cytotoxic Agents	Hangzhou DAC Biotech Co., Ltd.	16- Apr- 14	16- Apr- 14	19- Oct- 17
US20170296 574	Method of Treating Inflammation	Not Available	1- Apr- 10	28- Jun- 17	19- Oct- 17
US20170292 132	TISSUE PREFERENTIAL CODON MODIFIED EXPRESSION CASSETTES, VECTORS CONTAINING SAME, AND USES THEREOF	Not Available	29- Apr- 13	20- Jun- 17	12- Oct- 17
US20170290 909	METHODS AND COMPOSITIONS FOR INTRA-NASAL IMMUNIZATION WITH RECOMBINANT MVA ENCODING FLAGELLIN	Bavarian Nordic A/S	26- Sep- 14	25- Sep- 15	12- Oct- 17
US20170281 966	Device to Kill Micro-Organisms Inside the Respiratory Tract	Not Available	1- Apr- 16	28- Mar- 17	5- Oct- 17
US20170281 759	BISPHOSPHONATE-CONTAINING VACCINE PHARMACEUTICAL COMPOSITION FOR HUMORAL IMMUNITY	NITTO DENKO CORPORATION	3- Sep- 14	2- Sep- 15	5- Oct- 17
US20170275 621	CHIRAL CONTROL	Not Available	13- Jul- 12	17- Mar- 17	28- Sep- 17
US20170275 592	CULTURE MEDIUM	Koninklijke Nederlandse Akademie Van Wetenschappen	27- Nov- 14	27- Nov- 15	28- Sep- 17
US20170275 323	GLYCOLIPIDS AND PHARMACEUTICAL COMPOSITIONS THEREOF FOR USE IN THERAPY	THE UNIVERSITY OF NOTTINGHAM	4- Apr- 14	7- Apr- 15	28- Sep- 17
US20170275 253	BENZAEPINE SULFONAMIDE COMPOUNDS	Hoffmann-La Roche Inc.	18- Dec- 14	14- Jun- 17	28- Sep- 17
US20170275 243	Lipids and Lipid Compositions for the Delivery of Active Agents	Novartis AG	5- Sep- 14	4- Sep- 15	28- Sep- 17
US20170274 064	MODIFIED BAT INFLUENZA VIRUSES AND THEIR USES	Not Available	5- Sep- 14	4- Sep- 15	28- Sep- 17
US20170274 024	AAV Vectors Targeted to Oligodendrocytes	Not Available	28- Sep- 12	17- Apr- 17	28- Sep- 17

US20170267 969	Animal Protein-Free Media for Cultivation of Cells	Baxalta GmbH	29- Oct- 04	18- May -17	21- Sep -17
US20170267 722	INHIBITORY PEPTIDES OF VIRAL INFECTION	Not Available	17- Jul-14	25- May -17	21- Sep -17
US20170267 649	STABLE SODIUM CHANNEL BLOCKERS	PARION SCIENCES, INC.	30- Jun- 14	30- Jan -17	21- Sep -17
US20170266 272	TRANSGENIC VERO-CD4/CCR5 CELL LINE	Not Available	2- Oct- 15	6- Apr -17	21- Sep -17
US20170266 190	DRUG COMBINATION	Not Available	15- Mar- 13	5- Jun -17	21- Sep -17
US20170266 160	METHODS FOR TREATING PULMONARY EMPHYSEMA USING SUBSTITUTED 2-AZA-BICYCLO[2.2.1]HEPTANE-3-CARBOXYLIC ACID (BENZYL-CYANO-METHYL)-AMIDES INHIBITORS OF CATHEPSIN C	Not Available	14- Mar- 13	6- Jun -17	21- Sep -17
US20170261 431	CONTINUOUS PROCESS FOR PERFORMING MULTIPLE NUCLEIC ACID AMPLIFICATION ASSAYS	Not Available	10- Mar- 05	19- May -17	14- Sep -17
US20170260 223	ENANTIOMERS OF THE 1',6'-ISOMER OF NEPLANOCIN A	Not Available	4- Aug- 14	17- May -17	14- Sep -17
US20170260 147	ANTIVIRAL COMPOUNDS AND METHODS	Biotron Limited	26- Jun- 03	23- May -17	14- Sep -17
US20170259 976	DEGRADABLE MATERIALS AND PACKAGING MADE FROM SAME	MONOSOL, LLC	3- Oct- 14	2- Oct -15	14- Sep -17
US20170258 904	Antagonism of the VIP Signaling Pathway	Not Available	2- Feb- 11	22- May -17	14- Sep -17
US20170258 893	MERS-CoV Vaccine	Not Available	29- Nov- 13	26- Nov -14	14- Sep -17
US20170253 861	HIGHLY EFFICIENT INFLUENZA MATRIX (M1) PROTEINS	Not Available	11- Jul-03	6- Oct -16	7- Sep -17
US20170252 430	POLYMERIC CARRIER CARGO COMPLEX FOR USE AS AN IMMUNOSTIMULATING AGENT OR AS AN ADJUVANT	Not Available	1- Apr- 14	1- Apr -15	7- Sep -17
US20170252 417	PROTEIN-CHAPERONED T-CELL VACCINES	Not Available	7- Mar- 16	7- Mar -17	7- Sep -17
US20170247 688	ENZYMATIC ENCODING METHODS FOR EFFICIENT SYNTHESIS OF LARGE LIBRARIES	NUEVOLUTION A/S	1- Dec- 05	12- Dec -16	31- Aug -17
US20170247 453	SOLUBLE ENGINEERED MONOMERIC FC	The United States of America, as represented by the Secretary, Department of Health and Human Serv	16- Mar- 12	9- May -17	31- Aug -17
US20170247 423	STAPLED INTRACELLULAR-TARGETING ANTIMICROBIAL PEPTIDES TO TREAT INFECTION	Not Available	29- Feb- 16	28- Feb -17	31- Aug -17
US20170246 347	MATERIALS WITH IMPROVED PROPERTIES	Not Available	1- Nov- 15	5- May -17	31- Aug -17
US20170241 998	METHOD FOR THE IMMOBILIZATION OF BIOMOLECULES	Not Available	22- Feb- 16	17- Feb -17	24- Aug -17
US20170240 639	ACTRII ANTAGONISTS FOR USE IN INCREASING IMMUNE ACTIVITY	Not Available	22- Feb- 16	22- Feb -17	24- Aug -17
US20170239 397	MODIFIED ALGINATES FOR ANTI-FIBROTIC MATERIALS AND APPLICATIONS	Not Available	1- Nov- 15	5- May -17	24- Aug -17
US20170239 364	METHODS AND COMPOSITIONS RELATED TO INHIBITION OF VIRAL ENTRY	Not Available	28- Mar- 11	2- Mar -17	24- Aug -17
US20170239 349	COMPOSITIONS AND METHODS RELATED TO NEUROLOGICAL DISORDERS	Not Available	20- Feb- 15	6- Jun -16	24- Aug -17
US20170239 291	METHOD OF PREVENTING OR TREATING SINUSITIS WITH OXIDATIVE REDUCTIVE POTENTIAL WATER SOLUTION	SONOMA PHARMACEUTICALS, INC.	30- Dec- 03	9- May -17	24- Aug -17
US20170234 781	MEMBRANE-ASSISTED PURIFICATION	Accelerate Diagnostics, Inc.	7- Mar- 11	3- May -17	17- Aug -17
US20170226 593	HANDHELD NUCLEIC ACID-BASED ASSAY FOR RAPID IDENTIFICATION	Not Available	8- Feb- 16	8- Feb -16	10- Aug -17
US20170226 511	APTAMERS FOR BINDING FLAVIVIRUS PROTEINS	National University of Singapore	13- Nov- 13	13- Nov -14	10- Aug -17
US20170226 232	MODIFIED ALGINATES FOR ANTI-FIBROTIC MATERIALS AND APPLICATIONS	Not Available	1- Nov- 15	2- Nov -16	10- Aug -17



US20170226 222	BISPECIFIC ANTIBODY	Not Available	20- Nov- 13	18- Jan- 17	10- Aug- 17
US20170226 173	GM-CSF and IL-4 Conjugates, Compositions, and Methods Related Thereto	Not Available	23- Oct- 12	19- Apr- 17	10- Aug- 17
US20170224 813	VACCINE PHARMACEUTICAL COMPOSITION FOR SUPPRESSING APOPTOSIS OF CTL OR INHIBITING SUPPRESSION OF INDUCTION OF CTL	NITTO DENKO CORPORATION	4- Aug- 14	4- Aug- 15	10- Aug- 17
US20170224 812	LIQUID IMMUNITY INDUCTION-PROMOTING COMPOSITION AND VACCINE PHARMACEUTICAL COMPOSITION THAT INCLUDE THROMBOSIS TREATMENT DRUG	NITTO DENKO CORPORATION	4- Aug- 14	4- Aug- 15	10- Aug- 17
US20170224 616	OIL-IN-WATER EMULSIONS THAT CONTAIN NUCLEIC ACIDS	GLAXOSMITHKLINE BIOLOGICALS SA	6-Jul- 11	24- Apr- 17	10- Aug- 17
US20170219 560	MALARIA ANTIGEN SCREENING METHOD	United States of America as Represented by the Secretary of the Navy	31- Aug- 05	10- Apr- 17	3- Aug- 17
US20170216 431	VACCINE PHARMACEUTICAL COMPOSITION FOR TRANSDERMAL ADMINISTRATION	NITTO DENKO CORPORATION	2- Oct- 14	1- Oct- 15	3- Aug- 17
US20170216 430	IMMUNE-INDUCTION-PROMOTING COMPOSITION INCLUDING NUCLEAR RECEPTOR LIGAND, AND VACCINE PHARMACEUTICAL COMPOSITION	NITTO DENKO CORPORATION	4- Aug- 14	4- Aug- 15	3- Aug- 17
US20170216 429	COMPOSITION FOR ENHANCING INDUCTION OF HUMORAL IMMUNITY, AND VACCINE PHARMACEUTICAL COMPOSITION	NITTO DENKO CORPORATION	4- Aug- 14	4- Aug- 15	3- Aug- 17
US20170216 427	Coronavirus	Not Available	23- Jul-14	23- Jul- 15	3- Aug- 17
US20170216 348	METAL NANOCLOUDS AND USES THEREOF	Not Available	7- Aug- 14	7- Aug- 15	3- Aug- 17
US20170216 347	ANIONICALLY MODIFIED POLYALLYLAMINE DERIVATIVE, USE OF ANIONICALLY MODIFIED POLYALLYLAMINE DERIVATIVE AS MEDICINE, PARTICULARLY FOR PROPHYLAXIS AND TREATMENT OF INFECTIONS OF RESPIRATORY TRACT CAUSED BY HUMAN METAPNEUMOVIRUS (HMPV), HUMAN RHINOVIRUSES (HRV), AND INFECTION BY INFLUENZA VIRUS TYPE A (IAV) AND PHARMACEUTICAL COMPOSITION COMPRISING THE ANIONICALLY MODIFIED POLYALLYLAMINE DERIVATIVE	UNIwersytet Jagiellonski	29- Jul-14	29- Jul- 15	3- Aug- 17
US20170212 116	BIOSENSORS FOR THE DETECTION OF INFECTION AND ASSOCIATED MALADIES	ULISSE BIOMED SRL	31- Jan- 14	26- Jan- 15	27- Jul- 17
US20170212 019	POLYMER STABILIZATION OF CHROMOGEN SOLUTIONS	Not Available	23- Jan- 12	10- Apr- 17	27- Jul- 17
US20170211 096	LCMV-GP-VSV-Pseudotyped Vectors and Tumor-Infiltrating Virus-Producing Cells for the Therapy of Tumors	Not Available	29- Jun- 11	7- Apr- 17	27- Jul- 17
US20170211 069	USE OF THE CHROMOSOME 19 MICRORNA CLUSTER (C19MC) FOR TREATING MICROBIAL DISEASE AND PROMOTING AUTOPHAGY	University of Pittsburgh - Of the Commonwealth System of Higher Education	7- Mar- 12	27- Jan- 17	27- Jul- 17
US20170211 058	METHOD AND APPARATUS FOR AUTOMATED PROCESSING OF POOLED SAMPLES	Not Available	6- Aug- 14	5- Aug- 15	27- Jul- 17
US20170209 844	MICROSPOTTING DEVICE	Not Available	18- Apr- 12	5- Jan- 17	27- Jul- 17
US20170209 595	DISULFUR BRIDGE LINKERS FOR CONJUGATION OF A CELL-BINDING MOLECULE	Suzhou M-Conj Biotech Co., Ltd.	15- Jul-15	5- Apr- 17	27- Jul- 17
US20170209 590	METHODS AND REAGENTS FOR EFFICIENT AND TARGETED DELIVERY OF THERAPEUTIC MOLECULES TO CXCR4 CELLS	Not Available	13- Jan- 11	10- Jan- 17	27- Jul- 17
US20170209 570	Carbon Nanotube Compositions and Methods of Use Thereof	Not Available	19- Mar- 08	17- Mar- 17	27- Jul- 17
US20170209 376	COMPOSITIONS WITH MODIFIED NUCLEASES TARGETED TO VIRAL NUCLEIC ACIDS AND METHODS OF USE FOR PREVENTION AND TREATMENT OF VIRAL DISEASES	Not Available	14- Apr- 04	10- Mar- 17	27- Jul- 17
US20170205 399	POLYMERS AND CONJUGATES COMPRISING THE SAME	Not Available	2- Oct- 14	31- Mar- 17	20- Jul- 17



US20170204 143	Constrained proteins and uses therefor	Not Available	21- Jul-14	21- Jul-15	20- Jul-17
US20170204 083	THERAPEUTIC HYDROXYPYRIDINONES, HYDROXYPYRIMIDINONES AND HYDROXYPYRIDAZINONES	RUTGERS, THE STATE UNIVERSITY OF NEW JERSEY	11- Sep-12	13- Jan-17	20- Jul-17
US20170202 975	DISULFUR BRIDGE LINKERS FOR CONJUGATION OF A CELL-BINDING MOLECULE	Suzhou M-Conj Biotech Co., Ltd.	15- Jul-15	5- Apr-17	20- Jul-17
US20170202 960	CATIONIC OIL-IN-WATER EMULSIONS	GLAXOSMITHKLINE BIOLOGICALS, SA	6-Jul-11	23- Mar-17	20- Jul-17
US20170202 959	ADJUVANT COMPOSITIONS AND RELATED METHODS	Not Available	24- Mar-15	23- Mar-17	20- Jul-17
US20170202 956	Methods and Compositions for Inhibiting Akt3	Not Available	15- Jan-16	17- Jan-17	20- Jul-17
US20170202 955	Adjuvanted Influenza Vaccines for Pediatric Use	Not Available	22- Feb-08	30- Dec-16	20- Jul-17
US20170202 949	DEFECTIVE RIBOSOMAL PRODUCTS IN BLEBS (DRIBBLES) AND METHODS OF USE TO STIMULATE AN IMMUNE RESPONSE	Providence Health & Services - Oregon	29- Jul-05	29- Dec-16	20- Jul-17
US20170202 829	Specific Akt3 Inhibitor and Uses Thereof Cross-Reference to Related Applications	Not Available	15- Jan-16	17- Jan-17	20- Jul-17
US20170196 979	LIPIDS AND LIPID COMPOSITIONS FOR THE DELIVERY OF ACTIVE AGENTS	Novartis AG	8- Mar-13	27- Sep-16	13- Jul-17
US20170196 954	PRIME-BOOST REGIMENS WITH A TLR4 AGONIST ADJUVANT AND A LENTIVIRAL VECTOR	Not Available	15- Jul-14	14- Jul-15	13- Jul-17
US20170191 933	Systems and Methods for Analyzing a Sample and for Monitoring the Performance of an Optical Signal Detector	Not Available	31- Dec-15	23- Dec-16	6- Jul-17
US20170191 079	METHOD OF INCREASING THE FUNCTION OF AN AAV VECTOR	Not Available	7- Apr-05	18- Jan-17	6- Jul-17
US20170190 770	HUMAN MONOCLONAL ANTIBODIES AGAINST INTERLEUKIN 8 (IL-8)	CORMORANT PHARMACEUTICALS AB	16- Dec-02	26- Apr-16	6- Jul-17
US20170189 521	LIPIDATED IMMUNE RESPONSE MODIFIER COMPOUND COMPOSITIONS, FORMULATIONS, AND METHODS	3M Innovative Properties Company	17- Aug-10	19- Aug-16	6- Jul-17
US20170175 140	METHODS FOR USING A 5'-EXONUCLEASE TO INCREASE HOMOLOGOUS RECOMBINATION IN EUKARYOTIC CELLS	Not Available	16- Dec-15	14- Dec-16	22- Jun-17
US20170173 585	POINT OF CARE POLYMERASE CHAIN REACTION DEVICE FOR DISEASE DETECTION	Not Available	11- Jul-14	10- Jul-15	22- Jun-17
US20170173 176	ACETYLENICARBOXYL LINKERS AND THEIR USES IN SPECIFIC CONJUGATION OF A CELL-BINDING MOLECULE	SUZHOU M-CONJ BIOTECH CO., LTD.	15- Jul-15	3- Mar-17	22- Jun-17
US20170173 168	ACETYLENICARBOXYL LINKERS AND THEIR USES IN SPECIFIC CONJUGATION OF A CELL-BINDING MOLECULE	SUZHOU M-CONJ BIOTECH CO., LTD.	15- Jul-15	3- Mar-17	22- Jun-17
US20170173 164	HYDRAZINO 1H-IMIDAZOQUINOLIN-4-AMINES AND CONJUGATES MADE THEREFROM	Not Available	3- Jun-11	6- Mar-17	22- Jun-17
US20170168 052	EXOSOME-MEDIATED DIAGNOSIS OF HEPATITIS VIRUS INFECTIONS AND DISEASES	Not Available	6- Oct-08	13- Dec-16	15- Jun-17
US20170168 044	QUANTITATIVE ANALYSIS METHOD BASED ON AIR PRESSURE MEASURING	XIAMEN UNIVERSITY	9- Jun-14	24- Sep-14	15- Jun-17
US20170166 574	NOVEL COMPOUNDS	CHIESI FARMACEUTICI S.P.A.	14- Dec-15	12- Dec-16	15- Jun-17
US20170165 366	Anti-TIGIT Antigen-Binding Proteins and Methods of Use Thereof	Not Available	1- Oct-15	13- Feb-17	15- Jun-17
US20170165 359	IMMUNOSTIMULATORY COMBINATIONS OF TLR LIGANDS AND METHODS OF USE	Not Available	11- Aug-10	23- Aug-16	15- Jun-17
US20170165 341	REPLICATION DEFECTIVE ADENOVIRUS VECTOR IN VACCINATION	Not Available	24- Aug-12	15- Feb-17	15- Jun-17
US20170165 230	USE OF GSK-3 INHIBITORS OR ACTIVATORS WHICH MODULATE PD-1 OR T-BET EXPRESSION TO MODULATE T CELL IMMUNITY	Not Available	9- Apr-14	9- Apr-15	15- Jun-17
US20170160 218	APPARATUS AND SYSTEM FOR PERFORMING THERMAL MELT ANALYSES AND AMPLIFICATIONS	Not Available	31- Jul-12	23- Feb-17	8- Jun-17

US20170159 027	ADENO-ASSOCIATED VIRUS (AAV) CLADES, SEQUENCES, VECTORS CONTAINING SAME, AND USES THEREFOR	Not Available	30- Sep- 03	15- Feb- -17	8- Jun- -17
US20170159 026	Novel Recombinant Adeno-Associated Virus Capsids with Enhanced Human Skeletal Muscle Tropism	Not Available	2- Dec- 15	2- Dec- -16	8- Jun- -17
US20170158 752	MIDDLE EAST RESPIRATORY SYNDROME CORONAVIRUS NEUTRALIZING ANTIBODIES AND METHODS OF USE THEREOF	Not Available	25- Apr- 14	27- Apr- -15	8- Jun- -17
US20170157 262	CONJUGATES OF CELL BINDING MOLECULES WITH CYTOTOXIC AGENTS	Not Available	12- Jul-12	12- Jul- -12	8- Jun- -17
US20170157 151	Broad Spectrum Antiviral and Methods of Use	Not Available	17- Apr- 06	16- Feb- -17	8- Jun- -17
US20170152 274	CHARGED LINKERS AND THEIR USES FOR CONJUGATION	Hangzhou DAC Biotech Co., Ltd.	28- Feb- 14	28- Feb- -14	1- Jun- -17
US20170152 271	GAK MODULATORS AS ANTIVIRALS	Katholieke Universiteit Leuven	23- Jul-14	23- Jul- -15	1- Jun- -17
US20170151 346	DISULFUR BRIDGE LINKERS FOR CONJUGATION OF A CELL-BINDING MOLECULE	SUZHOU M-CONJ BIOTECH CO., LTD.	15- Jul-15	13- Feb- -17	1- Jun- -17
US20170151 291	SYNERGISTIC BACTERIAL COMPOSITIONS AND METHODS OF PRODUCTION AND USE THEREOF	Not Available	25- Nov- 13	25- Nov- -14	1- Jun- -17
US20170145 394	TRACKING AND MANIPULATING CELLULAR RNA VIA NUCLEAR DELIVERY OF CRISPR/CAS9	Not Available	23- Nov- 15	22- Nov- -16	25- May- -17
US20170144 984	MODULATORS OF THE RELAXIN RECEPTOR 1	Not Available	4- May- 12	25- Aug- -16	25- May- -17
US20170143 845	ACETYLENEDICARBOXYL LINKERS AND THEIR USES IN SPECIFIC CONJUGATION OF A CELL-BINDING MOLECULE	SUZHOU M-CONJ BIOTECH CO., LTD	15- Jul-15	3- Feb- -17	25- May- -17
US20170143 820	IMMUNOGENIC COMBINATIONS	GLAXOSMITHKLINE SA	13- Jun- 14	12- Jun- -15	25- May- -17
US20170143 758	INHALATION OF NITRIC OXIDE FOR TREATING RESPIRATORY DISEASES	Advanced Inhalation Therapies (AIT) Ltd.	11- Sep- 13	4- Jan- -17	25- May- -17
US20170143 749	SUBSTITUTED NUCLEOSIDES, NUCLEOTIDES AND ANALOGS THEREOF	Not Available	24- Jun- 14	2- Feb- -17	25- May- -17
US20170137 527	GITR ANTIBODIES AND METHODS OF INDUCING OR ENHANCING AN IMMUNE RESPONSE	Not Available	25- Mar- 05	7- Nov- -16	18- May- -17
US20170137 430	Nuclear Transport Modulators And Uses Thereof	Not Available	29- Jul-11	22- Jul- -16	18- May- -17
US20170136 118	NEUTRALIZING MOLECULES TO VIRAL ANTIGENS	Not Available	28- Mar- 08	8- Jun- -16	18- May- -17
US20170136 043	THERAPEUTIC USES OF SELECTED PYRROLOPYRIMIDINE COMPOUNDS WITH ANTI-MER TYROSINE KINASE ACTIVITY	The University of North Carolina at Chapel Hill	11- Apr- 14	30- Jan- -17	18- May- -17
US20170131 271	ANTIBODY-NANOPARTICLE CONJUGATES AND METHODS FOR MAKING AND USING SUCH CONJUGATES	Not Available	27- Apr- 10	12- Sep- -16	11- May- -17
US20170130 200	INTRACELLULAR GENOMIC TRANSPLANT AND METHODS OF THERAPY	Not Available	31- Jul-15	29- Jul- -16	11- May- -17
US20170129 947	REGULATING THE INTERACTION BETWEEN TAM LIGANDS AND LIPID MEMBRANES WITH EXPOSED PHOSPHATIDYL SERINE	Kolltan Pharmaceuticals, Inc.	25- Jul-12	20- Sep- -16	11- May- -17
US20170129 891	SUBSTITUTED IMIDAZOQUINOLINES, IMIDAZOPYRIDINES, AND IMIDAZONAPHTHYRIDINES	Not Available	18- Jun- 04	23- Jan- -17	11- May- -17
US20170128 465	Pharmaceutical Compositions and Methods	Not Available	3- Aug- 15	6- Dec- -16	11- May- -17
US20170122 853	PHOTO-CONTROLLED REMOVAL OF TARGETS IN VITRO AND IN VIVO	THE UNITED STATES OF AMERICA, AS REPRESENTED BY THE SECRETARY, DEPARTMENT OF HEALTH AND HUMAN SERV	8- Aug- 14	7- Aug- -15	4- May- -17
US20170121 372	NOVEL DEPSIPEPTIDE AND USES THEREOF	Not Available	3- Dec- 12	15- Jun- -16	4- May- -17
US20170119 872	SOLUBLE NEEDLE ARRAYS FOR DELIVERY OF INFLUENZA VACCINES	Not Available	20- Aug- 10	11- Oct- -16	4- May- -17
US20170119 871	LOW-ADDITIVE INFLUENZA VACCINES	Not Available	27- Jun- 07	24- Jun- -16	4- May- -17
US20170119 820	MODIFIED CELLS AND METHODS OF THERAPY	Not Available	31- Jul-15	29- Jul- -16	4- May- -17

US20170119 786	HETEROCYCLIC MODULATORS OF LIPID SYNTHESIS	Not Available	8- Mar- 11	11- Nov- 16	4- May- 17
US20170119 734	TETRAZOLONES AS INHIBITORS OF FATTY ACID SYNTHASE	Not Available	5- May- 10	22- Apr- 16	4- May- 17
US20170118 995	MINERAL FUNCTIONAL WATER, METHOD FOR PRODUCING THE SAME, AND METHOD FOR CONTROLLING UNICELLULAR ORGANISMS AND/OR VIRUSES	Riken Techno System Co., Ltd.	17- Sep- 14	6- Dec- 16	4- May- 17
US20170114 053	HETEROCYCLIC COMPOUNDS AND METHODS OF USE THEREOF	The United States of America, as represented by the Secretary, Department of Health and Human Serv	12- Jun- 14	12- Jun- 15	27- Apr- 17
US20170112 929	VISTA MODULATORS FOR DIAGNOSIS AND TREATMENT OF CANCER	Not Available	7- Sep- 12	6- Jun- 16	27- Apr- 17
US20170107 254	Modified Antimicrobial Peptides	Not Available	2- Apr- 14	2- Apr- 15	20- Apr- 17
US20170107 195	Chemical Compounds	AstraZeneca AB	18- Mar- 14	17- Mar- 15	20- Apr- 17
US20170106 077	INFLUENZA VIRUS VECTORS AND USES THEREFOR	Not Available	17- Mar- 14	13- Mar- 15	20- Apr- 17
US20170101 459	CLEAVAGE AND EXCHANGE OF MAJOR HISTOCOMPATIBILITY COMPLEX LIGANDS EMPLOYING AZOBENZENE-CONTAINING PEPTIDES	Not Available	6- Jun- 14	5- Jun- 15	13- Apr- 17
US20170101 413	NOVEL COMPOUNDS	CHIESI FARMACEUTICI S.p.A.	12- Jun- 14	12- Jun- 14	13- Apr- 17
US20170100 474	METHODS AND COMPOSITIONS FOR LIVE ATTENUATED VIRUSES	Not Available	6- Apr- 07	22- Jul- 16	13- Apr- 17
US20170100 385	PHARMACEUTICAL COMPOSITIONS COMPRISING DANIRIXIN FOR TREATING INFECTIOUS DISEASES	GLAXOSMITHKLINE INTELLECTUAL PROPERTY (NO. 2) LIMITED	12- May- 14	8- May- 15	13- Apr- 17
US20170096 646	Modified Adenovirus Hexon Protein and Uses Thereof	Not Available	28- Apr- 06	20- Dec- 16	6- Apr- 17
US20170096 455	METHODS AND COMPOSITIONS FOR CHIMERIC CORONAVIRUS SPIKE PROTEINS	The University of North Carolina at Chapel Hill	20- Mar- 14	20- Mar- 15	6- Apr- 17
US20170096 441	PHOSPHONATES WITH REDUCED TOXICITY FOR TREATMENT OF VIRAL INFECTIONS	Not Available	14- Apr- 10	9- Sep- 16	6- Apr- 17
US20170096 417	Multicyclic Compounds And Methods Of Using Same	Karyopharm Therapeutics Inc.	20- Sep- 13	19- Sep- 14	6- Apr- 17
US20170095 818	INTEGRATED MICROFLUIDIC DEVICE FOR TARGET AMPLIFICATION AND MICROARRAY DETECTION	CapitalBio Corporation	31- Mar- 14	31- Mar- 15	6- Apr- 17
US20170095 521	Novel Polygonum Cuspidatum Extracts and Their Use as Photodynamic Inactivating Agents	Not Available	1- Oct- 15	30- Sep- 16	6- Apr- 17
US20170089 911	QUINONE METHIDE ANALOG SIGNAL AMPLIFICATION	Not Available	24- Feb- 14	24- Aug- 16	30- Mar- 17
US20170088 858	ADENO-ASSOCIATED VIRUS (AAV) SEROTYPE 8 SEQUENCES, VECTORS CONTAINING SAME, AND USES THEREFOR	Not Available	17- Dec- 01	20- Oct- 16	30- Mar- 17
US20170088 848	Recombinant Influenza Virus-Like Particles (VLPs) Produced in Transgenic Plants Expressing Hemagglutinin	Medicago Inc.	21- Jan- 08	2- Sep- 16	30- Mar- 17
US20170088 559	ALKYLOXY SUBSTITUTED THIAZOLOQUINOLINES AND THIAZOLONAPHTHYRIDINES	Not Available	9- Feb- 05	12- Dec- 16	30- Mar- 17
US20170086 463	ANTIVIRAL AGENT	Not Available	3- Sep- 08	12- Dec- 16	30- Mar- 17
US20170082 608	Assay for Detecting TH1 and TH2 Cell Populations	Not Available	16- May- 14	15- May- 15	23- Mar- 17
US20170082 607	MALARIA ANTIGEN SCREENING METHOD	Not Available	31- Aug- 05	19- Apr- 13	23- Mar- 17
US20170081 655	PURIFICATION OF NUCLEIC ACIDS USING COPPER-TITANIUM OXIDES	Not Available	14- Jul-15	13- Jul- 16	23- Mar- 17
US20170081 393	ENGINEERED ANTIBODY CONSTANT DOMAIN MOLECULES	The U.S.A., as represented by the Secretary, Department of Health and Human Services	31- Jan- 08	2- Dec- 16	23- Mar- 17
US20170081 392	COMPOSITIONS COMPRISING AAV EXPRESSING DUAL ANTIBODY CONSTRUCTS AND USES THEREOF	Not Available	13- May- 14	13- May- 15	23- Mar- 17

US20170080 084	OIL/SURFACTANT MIXTURES FOR SELF-EMULSIFICATION	Not Available	17- Mar- 14	17- Mar- 15	23- Mar- 17
US20170080 079	METHODS OF MAKING AND USING LIVE ATTENUATED VIRUSES	Not Available	23- Sep- 15	23- Sep- 16	23- Mar- 17
US20170080 078	COMPOSITIONS AND METHODS FOR TREATING AND PREVENTING PORCINE REPRODUCTIVE AND RESPIRATORY SYNDROME	Not Available	24- Apr- 12	3- Oct- 16	23- Mar- 17
US20170079 920	Technology for the Preparation of Microparticles	Not Available	24- Jul-07	5- Dec- 16	23- Mar- 17
US20170079 916	COMPOSITIONS AND METHODS FOR MODIFIED DENDRIMER NANOPARTICLE DELIVERY	Not Available	23- Sep- 15	23- Sep- 16	23- Mar- 17
US20170079 253	TRANSGENIC MICE HAVING A HUMAN MAJOR HISTOCOMPATIBILITY COMPLEX (MHC) PHENOTYPE, EXPERIMENTAL USES AND APPLICATIONS	INSTITUT PASTEUR	30- Jul-03	17- Jul- 12	23- Mar- 17
US20170073 738	Compositions and Methods for Detecting and Quantifying Nucleic Acid Sequences in Blood Samples	Longhorn Vaccines and Diagnostics, LLC	1- Oct- 07	25- Nov- 16	16- Mar- 17
US20170073 730	METHODS AND COMPOSITIONS FOR LIBRARY NORMALIZATION	Not Available	11- Sep- 15	8- Sep- 16	16- Mar- 17
US20170073 727	METHODS FOR DIAGNOSING INFECTIOUS DISEASES USING ADSORPTION MEDIA	Not Available	8- Nov- 13	2- Nov- 16	16- Mar- 17
US20170073 390	Method for Identifying and Validating Dominant T Helper Cell Epitopes Using an HLA-DM-Assisted Class II Binding Assay	Not Available	6- Jan- 06	5- Dec- 14	16- Mar- 17
US20170073 352	NOVEL SUBSTITUTED SPIROCYCLES	Not Available	12- Sep- 14	29- Nov- 16	16- Mar- 17
US20170072 053	METHODS FOR PREPARING SQUALENE	Not Available	12- May- 10	22- Nov- 16	16- Mar- 17
US20170071 980	METHOD OF USING OXIDATIVE REDUCTIVE POTENTIAL WATER SOLUTION IN DENTAL APPLICATIONS	OCULUS INNOVATIVE SCIENCES, INC.	2- May- 05	22- Nov- 16	16- Mar- 17
US20170071 964	METHODS FOR TREATING ARENAVIRIDAE AND CORONAVIRIDAE VIRUS INFECTIONS	Not Available	16- Sep- 15	16- Sep- 16	16- Mar- 17
US20170071 867	NOVEL NANOPARTICLE COMPOSITIONS	Not Available	3- Apr- 13	28- Nov- 16	16- Mar- 17
US20170067 030	ATTENUATED VIRUSES USEFUL FOR VACCINES	Not Available	30- Mar- 07	7- Sep- 16	9- Mar- 17
US20170067 021	MODIFIED CELLS AND METHODS OF THERAPY	Not Available	31- Jul-15	2- Sep- 16	9- Mar- 17
US20170066 788	BORON-CONTAINING SMALL MOLECULES	Not Available	16- Feb- 05	18- Nov- 16	9- Mar- 17
US20170066 787	BORON-CONTAINING SMALL MOLECULES	Not Available	16- Feb- 05	18- Nov- 16	9- Mar- 17
US20170066 731	SMALL MOLECULE FATTY ACID SYNTHASE INHIBITORS	Not Available	7- Mar- 14	5- Mar- 15	9- Mar- 17
US20170065 706	METHODS AND COMPOSITIONS FOR PRODUCING AN ADENOVIRUS VECTOR FOR USE WITH MULTIPLE VACCINATIONS	Not Available	2-Jul- 07	14- Sep- 16	9- Mar- 17
US20170065 693	Sequential administration of a replication defective adenovirus vector in vaccination protocols	Not Available	2-Jul- 07	14- Sep- 16	9- Mar- 17
US20170065 677	EV576 FOR USE IN THE TREATMENT OF VIRAL INFECTIONS OF THE RESPIRATORY TRACT	Volusion Immuno Pharmaceuticals SA	8- Jan- 10	22- Jul- 16	9- Mar- 17
US20170065 636	MODIFIED CELLS AND METHODS OF THERAPY	Not Available	31- Jul-15	29- Aug- 16	9- Mar- 17
US20170058 430	BACTERIAL IDENTIFICATION IN CLINICAL INFECTIONS	Not Available	18- Feb- 14	18- Feb- 15	2- Mar- 17
US20170058 365	SYSTEMS AND METHODS FOR ANALYZING VIRAL NUCLEIC ACIDS	Not Available	1- Sep- 15	3- Feb- 16	2- Mar- 17
US20170057 978	ANTI-VIRAL COMPOUNDS, PHARMACEUTICAL COMPOSITIONS, AND METHODS OF USE THEREOF	Kineta, Inc.	9- May- 14	8- May- 15	2- Mar- 17
US20170057 968	COMPOUNDS AND COMPOSITIONS AS TOLL-LIKE RECEPTOR 7 AGONISTS	NOVARTIS AG	1- May- 14	29- Apr- 15	2- Mar- 17
US20170057 938	CERTAIN (2S)-N-[(1S)-1-CYANO-2-PHENYLETHYL]-1,4-OXAZEPANE-2-CARBOXAMIDES AS DIPEPTIDYL PEPTIDASE 1 INHIBITORS	Not Available	24- Jan- 14	8- Nov- 16	2- Mar- 17

US20170052190	Covalently Linked Thermostable Kinase for Decontamination Process Validation	Not Available	20-Feb-08	8-Jul-16	23-Feb-17
US20170051053	METHOD OF PROVIDING MONOCLONAL AUTO-ANTIBODIES WITH DESIRED SPECIFICITY	Not Available	28-Dec-11	7-Sep-16	23-Feb-17
US20170051046	H1N1 FLU VIRUS NEUTRALIZING ANTIBODIES	MEDIGEN BIOTECHNOLOGY CORPORATION	20-Aug-15	20-Aug-15	23-Feb-17
US20170051022	ADENOVIRUS COMPRISING AN ALBUMIN-BINDING MOIETY	Not Available	30-Apr-14	30-Apr-15	23-Feb-17
US20170051007	PHARMACEUTICAL COMPOSITIONS AND METHODS	Not Available	3-Aug-15	28-Jul-16	23-Feb-17
US20170049813	ANTIMICROBIAL SOLUTIONS CONTAINING DICHLORINE MONOXIDE AND METHODS OF MAKING AND USING THE SAME	OCULUS INNOVATIVE SCIENCES, INC.	13-Mar-07	8-Nov-16	23-Feb-17
US20170044603	CAPTURE PRIMERS AND CAPTURE SEQUENCE LINKED SOLID SUPPORTS FOR MOLECULAR DIAGNOSTIC TESTS	Not Available	31-Jul-09	15-Aug-16	16-Feb-17
US20170044595	PCR Ready Compositions and Methods for Detecting and Identifying Nucleic Acid Sequences	Longhorn Vaccines and Diagnostics, LLC	24-Aug-07	26-Oct-16	16-Feb-17
US20170044237	ANTIBODIES AND PROCESSES FOR PREPARING THE SAME	Not Available	16-May-08	23-Aug-16	16-Feb-17
US20170044168	COMPOUNDS AND COMPOSITIONS AS TOLL-LIKE RECEPTOR 7 AGONISTS	NOVARTIS AG	1-May-14	29-Apr-15	16-Feb-17
US20170042994	COMPOSITIONS HAVING MEANS FOR TARGETING AT LEAST ONE ANTIGEN TO DENDRITIC CELLS	ASSISTANCE PUBLIQUE - HOPITAUX DE PARIS	22-Jul-11	29-Jul-16	16-Feb-17
US20170042898	METHODS AND COMPOSITIONS FOR TREATING VIRAL OR VIRALLY-INDUCED CONDITIONS	HEMAQUEST PHARMACEUTICALS, INC.	11-Mar-10	27-Oct-16	16-Feb-17
US20170039316	Compositions, processes and algorithms for microbial detection	Not Available	12-Nov-03	25-Oct-04	9-Feb-17
US20170039314	BIOINFORMATIC PROCESSES FOR DETERMINATION OF PEPTIDE BINDING	IOGENETICS, LLC	23-Mar-10	13-Sep-12	9-Feb-17
US20170038085	AIR CURTAIN DEVICE	Not Available	7-Aug-15	19-Nov-15	9-Feb-17
US20170037457	NUCLEIC ACID DETECTION OR QUANTIFICATION METHOD USING MASK OLIGONUCLEOTIDE, AND DEVICE FOR SAME	Not Available	5-Feb-14	29-Jan-15	9-Feb-17
US20170037379	CHIMERIC VIRUSES PRESENTING NON-NATIVE SURFACE PROTEINS AND USES THEREOF	Icahn School of Medicine at Mount Sinai	2-Dec-05	3-Mar-16	9-Feb-17
US20170037376	METHOD FOR PREPARING INDUCED PLURIPOTENT STEM CELL, COMPOSITION USED IN METHOD, AND USES THEREOF	GUANGZHOU INSTITUTES OF BIOMEDICINE AND HEALTH, CHINESE ACADEMY OF SCIENCES	15-Nov-13	12-Nov-14	9-Feb-17
US20170037090	RECOMBINANT EXPRESSION OF MULTIPROTEIN COMPLEXES USING POLYGENES	Not Available	8-Nov-05	26-Oct-16	9-Feb-17
US20170037045	HETEROBIFUNCTIONAL LINKERS WITH POLYETHYLENE GLYCOL SEGMENTS AND IMMUNE RESPONSE MODIFIER CONJUGATES MADE THEREFROM	3M Innovative Properties Company	3-Jun-11	24-Oct-16	9-Feb-17
US20170035878	Multi-Functional Mucosal Vaccine Platform	Not Available	11-Feb-14	11-Feb-15	9-Feb-17
US20170035845	Compositions and Methods for Inhibiting Pro-Inflammatory Cytokine Gene Expression	Not Available	7-Aug-15	5-Aug-16	9-Feb-17
US20170029877	POLYTAG PROBES	Not Available	26-Feb-10	31-Mar-16	2-Feb-17
US20170029847	ARTIFICIAL NUCLEIC ACID MOLECULES	CureVac AG	30-Dec-13	28-Jun-16	2-Feb-17
US20170029489	HUMAN MONOCLONAL ANTIBODY WITH SPECIFICITY FOR DENGUE VIRUS SEROTYPE 1 E PROTEIN AND USES THEREOF	Not Available	14-Dec-10	1-Jun-16	2-Feb-17
US20170028082	ADENO-ASSOCIATED VIRUS (AAV) CLADES, SEQUENCES, VECTORS CONTAINING SAME, AND USES THEREFOR	Not Available	30-Sep-03	3-Aug-16	2-Feb-17
US20170028054	VACCINE COMPOSITION	NITTO DENKO CORPORATION	4-Apr-12	11-Oct-16	2-Feb-17
US20170027975	Methods of Treating Coronavirus Infection	United States Government as represented by the Secretary, Department of Health and Human Services	7-Apr-14	7-Apr-15	2-Feb-17

US20170027 944	METHODS FOR TREATING VIRAL DISORDERS	Not Available	24- Sep- 09	18- Feb- 15	2- Feb- 17
US20170022 577	METHODS OF TESTING FOR INTRACELLULAR PATHOGENS	Novartis AG	8- Mar- 10	23- Sep- 16	26- Jan- 17
US20170022 242	NOVEL ANTIVIRAL AND ANTITUMORAL COMPOUNDS	KATHOLIEKE UNIVERSITEIT LEUVEN, KU LEUVEN R&D	17- Apr- 14	17- Apr- 15	26- Jan- 17
US20170021 013	D-AMINO ACID DERIVATIVE-MODIFIED PEPTIDOGLYCAN AND METHODS OF USE THEREOF	Not Available	30- Nov- 12	31- Mar- 16	26- Jan- 17
US20170020 926	METHODS AND COMPOSITIONS FOR IMMUNOMODULATION	Not Available	1- Apr- 14	13- Mar- 15	26- Jan- 17
US20170016 048	COMPOSITIONS AND METHODS FOR ENRICHING POPULATIONS OF NUCLEIC ACIDS	Not Available	18- May- 15	17- May- 16	19- Jan- 17
US20170015 716	STABILIZED ANTI-MICROBIAL PEPTIDES	Not Available	2-Jul- 15	1- Jul- 16	19- Jan- 17
US20170014 496	COMBINATION OF VACCINATION AND OX40 AGONISTS	Not Available	12- Mar- 14	12- Mar- 14	19- Jan- 17
US20170014 423	Benzazepine Dicarboxamide Compounds	Hoffmann-La Roche Inc.	6- Mar- 15	28- Sep- 16	19- Jan- 17
US20170011 131	SYSTEM AND METHOD FOR DETECTING, COLLECTING, ANALYZING, AND COMMUNICATING EVENT RELATED INFORMATION	Georgetown University	25- Feb- 08	23- Sep- 16	12- Jan- 17
US20170010 264	EXOSOME-MEDIATED DIAGNOSIS OF HEPATITIS VIRUS INFECTIONS AND DISEASES	Not Available	6- Oct- 08	20- Sep- 16	12- Jan- 17
US20170009 237	Short Interfering RNA (siRNA) Analogues	Not Available	21- Mar- 03	28- Mar- 16	12- Jan- 17
US20170007 577	METHOD OF TREATING OR INHIBITING THE DEVELOPMENT OF BRAIN INFLAMMATION AND SEPSIS	Not Available	29- Nov- 02	19- Sep- 16	12- Jan- 17
US20170002 042	PEPTIDOMIMETIC MACROCYCLES	Not Available	1-Jul- 15	1- Jul- 16	5- Jan- 17
US20170000 878	CONSTRAINED IMMUNOGENIC COMPOSITIONS AND USES THEREFOR	Not Available	23- Jun- 10	9- Aug- 16	5- Jan- 17
US20170000 873	Dimethyl Fumarate and Vaccination Regimens	Not Available	14- Mar- 14	13- Mar- 15	5- Jan- 17
US20160376 596	COMPOSITIONS AND METHODS FOR INDUCING AN ENHANCED IMMUNE RESPONSE USING POXVIRUS VECTORS	Bavarian Nordic A/S	28- Nov- 13	25- Nov- 14	29- Dec- 16
US20160376 321	A NOVEL SARS IMMUNOGENIC COMPOSITION	BAYLOR COLLEGE OF MEDICINE	26- Nov- 13	21- Nov- 14	29- Dec- 16
US20160375 137	TARGETING LIPIDS	Tekmira Pharmaceuticals Corporation	4- Dec- 07	22- Oct- 13	29- Dec- 16
US20160375 132	HOMOGENOUS SUSPENSION OF IMMUNOPOTENTIATING COMPOUNDS AND USES THEREOF	Not Available	15- Dec- 09	5- Jul- 16	29- Dec- 16
US20160369 268	TRANSCRIPTION ACTIVATOR-LIKE EFFECTOR (TALE) LIBRARIES AND METHODS OF SYNTHESIS AND USE	The Board of Regents of the University of Texas System	1-Jul- 13	25- Jun- 14	22- Dec- 16
US20160368 956	METHOD OF PREVENTIVELY TREATING A SUBJECT AT THE RISK OF DEVELOPING INFECTIONS OF A RESPIRATORY VIRUS	Not Available	9- May- 13	23- Aug- 16	22- Dec- 16
US20160368 904	SUBSTITUTED BENZOFURANYL AND BENZOXAZOLYL COMPOUNDS AND USES THEREOF	Not Available	3-Jul- 13	3- Jul- 14	22- Dec- 16
US20160367 587	Systemic In Vivo Delivery of Oligonucleotides	OncoImmunit, Inc.	12- Jun- 13	12- Jun- 14	22- Dec- 16
US20160367 188	ORAL SENSOR ALERTING AND COMMUNICATION SYSTEM AND DEVELOPERS' TOOL KIT	Not Available	17- Jun- 15	10- Sep- 15	22- Dec- 16
US20160363 557	AMPEROMETRIC GAS SENSOR	Not Available	25- Jun- 12	25- Aug- 16	15- Dec- 16
US20160362 730	PHOTO-SELECTIVE METHOD FOR BIOLOGICAL SAMPLE ANALYSIS	Not Available	26- Feb- 14	26- Aug- 16	15- Dec- 16
US20160362 454	Identification and Attenuation of the Immunosuppressive Domains in Fusion Proteins of Enveloped RNA Viruses	Not Available	7- Oct- 11	10- Jun- 16	15- Dec- 16
US20160361 382	MICROBICIDAL COMPOSITIONS AND METHODS FOR TREATMENT OF VIRAL INFECTIONS	Not Available	11- Jun- 15	13- Jun- 16	15- Dec- 16

US20160361 259	Methods for the Preparation of Liposomes	Not Available	23- Sep- 09	2- Aug- 16	15- Dec- 16
US20160354 451	METHOD OF PROVIDING PATIENT SPECIFIC IMMUNE RESPONSE IN AMYLOIDOSES AND PROTEIN AGGREGATION DISORDERS	Not Available	31- Aug- 07	9- Jun- 16	8- Dec- 16
US20160354 428	METHODS AND COMPOSITIONS RELATED TO INHIBITION OF VIRAL ENTRY	Not Available	8- Feb- 07	2- Jun- 16	8- Dec- 16
US20160354 347	Nuclear Transport Modulators and Uses Thereof	Not Available	9- May- 12	6- Jan- 16	8- Dec- 16
US20160348 153	EXTRACTION AND PRESERVATION OF NUCLEIC ACID MOLECULES FROM PATHOGENS	THE UNITED STATES OF AMERICA, as represented by the Secretary, Department of Health and Human Serv	29- May- 15	31- May- 16	1- Dec- 16
US20160348 132	TC-83-DERIVED ALPHAVIRUS VECTORS, PARTICLES AND METHODS	Not Available	18- May- 04	11- Aug- 16	1- Dec- 16
US20160348 115	CpG Oligonucleotide Analogs Containing Hydrophobic T Analogs with Enhanced Immunostimulatory Activity	Not Available	27- Sep- 06	26- May- 16	1- Dec- 16
US20160348 110	NUCLEIC ACID CHEMICAL MODIFICATIONS	Not Available	2- Mar- 09	11- Aug- 16	1- Dec- 16
US20160347 816	POLYPEPTIDES AND POLYNUCLEOTIDES, AND USES THEREOF FOR TREATMENT OF IMMUNE RELATED DISORDERS AND CANCER	Not Available	15- Apr- 11	29- Feb- 16	1- Dec- 16
US20160347 814	VSTM5 POLYPEPTIDES AND USES THEREOF AS A DRUG FOR TREATMENT OF CANCER, INFECTIOUS DISEASES AND IMMUNE RELATED DISEASES	Not Available	11- Sep- 13	10- Mar- 16	1- Dec- 16
US20160347 784	NOVEL NUCLEIC ACID PRODRUGS AND METHODS OF USE THEREOF	Not Available	6-Jul- 09	27- May- 16	1- Dec- 16
US20160346 309	TREATMENT OF VIRAL INFECTIONS BY MODULATION OF HOST CELL METABOLIC PATHWAYS	Not Available	1- Jun- 07	21- Dec- 15	1- Dec- 16
US20160340 713	STABILIZING COMPOSITIONS AND METHODS FOR EXTRACTION OF RIBONUCLEIC ACID	Not Available	6- Oct- 06	20- May- 16	24- Nov- 16
US20160340 319	SUBSTITUTED BICYCLIC DIHYDROPYRIMIDINONES AND THEIR USE AS INHIBITORS OF NEUTROPHIL ELASTASE ACTIVITY	Not Available	6- Feb- 13	5- Aug- 16	24- Nov- 16
US20160339 097	CORONAVIRUS PROTEINS AND ANTIGENS	MJ Biologics, Inc.	7- Feb- 14	4- Aug- 16	24- Nov- 16
US20160338 998	HETEROCYCLIC MODULATORS OF LIPID SYNTHESIS AND COMBINATIONS THEREOF	3-V Biosciences, Inc.	20- Dec- 13	19- Dec- 14	24- Nov- 16
US20160333 356	OLIGONUCLEOTIDE MODULATORS OF THE TOLL-LIKE RECEPTOR PATHWAY	Not Available	3- Mar- 11	28- Jul- 16	17- Nov- 16
US20160333 089	Antigenic GM-CSF Peptides and Antibodies to GM-CSF	Not Available	8- Feb- 06	18- Jul- 16	17- Nov- 16
US20160333 076	NEUTRALIZING GP41 ANTIBODIES AND THEIR USE	The United States of America, as represented by the Secretary, Department of Health and Human Serv	7- Nov- 11	2- Aug- 16	17- Nov- 16
US20160331 828	NUCLEIC ACID VACCINES	Moderna Therapeutics, Inc.	23- Apr- 14	5- Apr- 16	17- Nov- 16
US20160331 816	ORAL DELIVERY OF ANGIOTENSIN CONVERTING ENZYME 2 (ACE2) OR ANGIOTENSIN-(1-7) BIOENCAPSULATED IN PLANT CELLS ATTENUATES PULMONARY HYPERTENSION, CARDIAC DYSFUNCTION AND DEVELOPMENT OF AUTOIMMUNE AND EXPERIMENTALLY INDUCED OCULAR DISORDERS	Not Available	18- Oct- 13	18- Apr- 16	17- Nov- 16
US20160331 758	TOLL-LIKE RECEPTOR AGONIST FORMULATIONS AND THEIR USE	Not Available	1- Aug- 08	21- Dec- 15	17- Nov- 16
US20160327 506	CAPACITIVE LIQUID CRYSTAL BIOSENSORS	Not Available	6- May- 15	5- May- 16	10- Nov- 16
US20160327 484	A METHOD OF PREDICTING A PERFORMANCE CHARACTERISTIC OF A PLANT OR YEAST HYDROLYSATE AND ITS USE	Not Available	30- Dec- 13	18- Dec- 14	10- Nov- 16
US20160326 598	METHODS AND COMPOSITIONS FOR PROSTATE CANCER METASTASIS	Not Available	25- Mar- 11	27- May- 16	10- Nov- 16
US20160326 325	POWDERED POUCH AND METHOD OF MAKING SAME	Not Available	16- Apr- 12	19- Jul- 16	10- Nov- 16



US20160326 233	NEUTRALIZING HUMAN MONOCLONAL ANTIBODIES AGAINST HEPATITIS B VIRUS SURFACE ANTIGEN	Not Available	16- Jan- 14	15- Jan- -15	10- Nov- -16
US20160326 141	HETEROCYCLIC MODULATORS OF LIPID SYNTHESIS FOR USE AGAINST CANCER AND VIRAL INFECTIONS	Not Available	7- Jan- 14	7- Jan- -15	10- Nov- -16
US20160325 283	BIOAGENT DETECTION SYSTEMS, DEVICES, AND METHODS	Not Available	30- Mar- 09	18- Jul- 16	10- Nov- -16
US20160324 834	Use of mTOR Inhibitors to Enhance T Cell Immune Responses	Not Available	5- Aug- 08	16- May- -16	10- Nov- -16
US20160320 390	COMPOSITIONS AND METHODS FOR CAPTURING EXOSOMES	Not Available	1- May- 15	1- May- -15	3- Nov- -16
US20160318 985	Chimeric Virus-Like Particles Incorporating Fusion GPI Anchored GM-CSF and IL-4 Conjugates	Not Available	29- Apr- 15	29- Apr- -16	3- Nov- -16
US20160318 861	NOVEL PRODRUGS OF DITHIOL MUCOLYTIC AGENTS	PARION SCIENCES, INC.	30- Apr- 15	2- May- -16	3- Nov- -16
US20160317 647	NUCLEIC ACID VACCINES	Moderna Therapeutics, Inc.	23- Apr- 14	1- Apr- -16	3- Nov- -16
US20160317 637	IMMUNOMODULATORY COMPOSITIONS AND METHODS OF USE THEREOF	Not Available	7- Jan- 14	7- Jan- -15	3- Nov- -16
US20160317 496	METHODS OF TREATING CANCER AND OTHER DISORDERS	Not Available	12- Nov- 10	27- Jun- -16	3- Nov- -16
US20160317 458	Lipids and Lipid Compositions for the Delivery of Active Agents	Not Available	19- Dec- 13	17- Dec- -14	3- Nov- -16
US20160312 276	METHODS AND COMPOSITIONS FOR WHOLE TRANSCRIPTOME AMPLIFICATION	Not Available	23- Apr- 15	21- Apr- -16	27- Oct- 16
US20160311 886	Constructs Binding to Phosphatidylserine and Their Use in Disease Treatment and Imaging	Not Available	24- Jan- 05	12- Jul- 16	27- Oct- 16
US20160311 835	NOVEL ANTIBIOTICS	Not Available	26- May- 11	30- Nov- -15	27- Oct- 16
US20160311 816	COMPOSITIONS AND METHODS FOR INHIBITING KINASES	Not Available	23- Apr- 15	22- Apr- -16	27- Oct- 16
US20160311 759	Lipids and Lipid Compositions for the Delivery of Active Agents	Not Available	19- Dec- 13	17- Dec- -14	27- Oct- 16
US20160310 511	Myxovirus Therapeutics, Compounds, and Uses Related Thereto	Not Available	24- Oct- 11	7- Jul- 16	27- Oct- 16
US20160305 936	DIRECT CLONE ANALYSIS AND SELECTION TECHNOLOGY	Not Available	13- Jul-10	18- Feb- -16	20- Oct- 16
US20160304 954	COMPOSITIONS AND METHODS FOR DETECTING RARE SEQUENCE VARIANTS	Not Available	11- Dec- 13	11- Dec- -14	20- Oct- 16
US20160304 942	Enhanced Methods of Ribonucleic Acid Hybridization	Not Available	6- Dec- 13	5- Dec- -14	20- Oct- 16
US20160304 904	Directed Evolution and In Vivo Panning of Virus Vectors	Not Available	30- Apr- 08	28- Jun- -16	20- Oct- 16
US20160304 883	ARTIFICIAL NUCLEIC ACID MOLECULES	CureVac AG	30- Dec- 13	28- Jun- -16	20- Oct- 16
US20160304 882	METHOD FOR PROPAGATING ADENOVIRAL VECTORS ENCODING INHIBITORY GENE PRODUCTS	GenVec, Inc.	10- Nov- 05	27- Jun- -16	20- Oct- 16
US20160304 586	PROCESS FOR PREPARING INFLUENZA VACCINES	Crucell Holland B.V.	5- Dec- 13	4- Dec- -14	20- Oct- 16
US20160304 579	POLYPEPTIDES AND USES THEREOF FOR TREATMENT OF AUTOIMMUNE DISORDERS AND INFECTION	Not Available	30- Jun- 11	29- Feb- -16	20- Oct- 16
US20160304 472	Hydrazide Containing Nuclear Transport Modulators and Uses Thereof	Not Available	29- Jul-11	13- Nov- -15	20- Oct- 16
US20160303 194	Compositions And Method For Treatment Of Inflammatory Bowel Disease	Not Available	2- Jun- 11	21- Apr- -16	20- Oct- 16
US20160303 052	MODULAR PARTICLES FOR IMMUNOTHERAPY	Not Available	1- Nov- 13	31- Oct- -14	20- Oct- 16
US20160299 141	NAD ANALOGS AND METHODS OF USING SAID NAD ANALOGS IN DETERMINING RIBOSYLATION OF PROTEINS WITH PARP MUTANTS	Biolog Life Science Institute Forschungslabor und Biochemica-Vertrieb GmbH	8- Apr- 15	1- Apr- -16	13- Oct- 16
US20160298 179	LUMINOPHORE-LABELED MOLECULES COUPLED WITH PARTICLES FOR MICROARRAY-BASED ASSAYS	CapitalBio Corporation	5- Dec- 13	2- Dec- -14	13- Oct- 16

US20160296 617	Immunogenic Composition for MERS Coronavirus Infection	Not Available	1- Mar- 13	28- Feb- 14	13- Oct- 16
US20160296 616	IMMUNOGENIC COMPOSITIONS AND USES THEREOF	Not Available	25- Mar- 15	25- Mar- 16	13- Oct- 16
US20160295 844	GENETICALLY MODIFIED NON-HUMAN ANIMALS AND METHODS OF USE THEREOF	Not Available	13- Apr- 15	12- Apr- 16	13- Oct- 16
US20160292 393	SYSTEMS AND METHODS FOR ORDERING LABORATORY TESTS AND PROVIDING RESULTS THEREOF	Not Available	24- Oct- 13	13- Apr- 16	6- Oct- 16
US20160289 740	METHODS AND COMPOSITIONS FOR COMBINATORIAL BARCODING	Not Available	30- Mar- 15	29- Mar- 16	6- Oct- 16
US20160289 191	ORGANIC COMPOUNDS	NOVARTIS AG	27- Jun- 08	9- Oct- 15	6- Oct- 16
US20160288 121	Slip Chip Device and Methods	Not Available	24- Mar- 09	25- May- 16	6- Oct- 16
US20160287 697	INJECTABLE VACCINE COMPOSITION	NITTO DENKO CORPORATION	3- Oct- 13	2- Oct- 14	6- Oct- 16
US20160287 622	COMPOSITIONS AND METHODS FOR TREATING IMMUNE AND VIRAL DISORDERS AND MODULATING PROTEIN-RNA INTERACTION	Massachusetts Institute of Technology	18- Nov- 13	7- Nov- 14	6- Oct- 16
US20160281 109	GENE TRANSFER INTO AIRWAY EPITHELIAL STEM CELL BY USING LENTIVIRAL VECTOR PSEUDOTYPED WITH RNA VIRUS OR DNA VIRUS SPIKE PROTEIN	Not Available	28- Oct- 05	10- Jun- 16	29- Sep- 16
US20160280 707	ALKOXY SUBSTITUTED IMIDAZOQUINOLINES	Not Available	3- Oct- 03	13- Jun- 16	29- Sep- 16
US20160279 237	ADJUVANT COMPOSITIONS AND RELATED METHODS	Not Available	24- Mar- 15	24- Mar- 16	29- Sep- 16
US20160279 193	IMMUNOSUPPRESSIVE AGENTS AND THEIR USE IN THERAPY	Not Available	6- Nov- 13	6- Nov- 14	29- Sep- 16
US20160279 165	PULSE INHALATION OF NITRIC OXIDE FOR TREATING RESPIRATORY DISEASES	Not Available	24- Mar- 15	24- Mar- 16	29- Sep- 16
US20160279 163	Method of Treating Inflammation	Not Available	1- Apr- 10	3- Jun- 16	29- Sep- 16
US20160278 349	Immunocompromised Ungulates	Not Available	27- Oct- 08	23- Mar- 15	29- Sep- 16
US20160272 707	VSTM5 ANTIBODIES, AND USES THEREOF FOR TREATMENT OF CANCER, INFECTIOUS DISEASES AND IMMUNE RELATED DISEASES	Not Available	11- Sep- 13	11- Sep- 14	22- Sep- 16
US20160271 241	BUNYAVIRUSES WITH SEGMENTED GLYCOPROTEIN PRECURSOR GENES AND METHODS FOR GENERATING THESE VIRUSES	Stichting Dienst Landbouwkundig Onderzoek	21- May- 13	21- May- 14	22- Sep- 16
US20160271 240	Tetanus Toxoid and CCL3 Improve DC Vaccines	Duke University	14- Nov- 13	14- Nov- 15	22- Sep- 16
US20160271 137	INHIBITORS OF LONG AND VERY LONG CHAIN FATTY ACID METABOLISM AS BROAD SPECTRUM ANTI-VIRALS	Not Available	18- Feb- 10	27- Oct- 15	22- Sep- 16
US20160267 244	METHODS OF PREDICTING CANCER LETHALITY USING REPLIKIN COUNTS	Not Available	8- Aug- 08	19- May- 16	15- Sep- 16
US20160265 025	NANOREPORTERS AND METHODS OF MANUFACTURING AND USE THEREOF	Not Available	23- Dec- 05	20- May- 16	15- Sep- 16
US20160264 971	COMPOSITIONS AND METHODS FOR SILENCING EBOLA VIRUS GENE EXPRESSION	Not Available	20- Jul-09	9- Oct- 15	15- Sep- 16
US20160264 962	TAL-EFFECTOR ASSEMBLY PLATFORM, CUSTOMIZED SERVICES, KITS AND ASSAYS	Not Available	4- Apr- 12	28- Jul- 15	15- Sep- 16
US20160263 156	RED BLOOD CELL MEMBRANE-DERIVED MICROPARTICLES AND THEIR USE FOR THE TREATMENT OF LUNG DISEASE	University of Pittsburgh - Of the Commonwealth System of Higher Education	7- Nov- 13	6- Nov- 14	15- Sep- 16
US20160258 949	CHIPS, DETECTION SYSTEMS, AND METHODS FOR MULTIPLEX PNEUMOCOCCUS SEROLOGY	Not Available	9- Oct- 13	9- Oct- 14	8- Sep- 16
US20160257 932	GENETICALLY ENGINEERED ENUCLEATED ERYTHROID CELLS COMPRISING A PHENYLALANINE AMMONIA LYASE RECEIVER POLYPEPTIDE	Not Available	18- Nov- 13	17- May- 16	8- Sep- 16
US20160257 653	Benzazepine Dicarboxamide Compounds	Hoffmann-La Roche Inc.	6- Mar- 15	4- Mar- 16	8- Sep- 16

US20160256 870	Slip Chip Device and Methods	Not Available	24- Mar- 09	25- May -16	8- Sep -16
US20160256 541	Cationic Oil-In-Water Emulsions	Not Available	6-Jul- 10	11- Mar -16	8- Sep -16
US20160253 584	SPATIALLY ADDRESSABLE MOLECULAR BARCODING	Not Available	27- Feb- 15	26- Feb -16	1- Sep -16
US20160251 637	COMPOSITIONS FOR INCREASING POLYPEPTIDE STABILITY AND ACTIVITY, AND RELATED METHODS	Not Available	19- Nov- 09	11- Mar -16	1- Sep -16
US20160251 631	DECREASING POTENTIAL IATROGENIC RISKS ASSOCIATED WITH INFLUENZA VACCINES	Novartis AG	9- Sep- 04	9- May -16	1- Sep -16
US20160251 399	PEPTIDOMIMETIC MACROCYCLES	Not Available	14- Jan- 09	7- Apr -16	1- Sep -16
US20160251 362	NOVEL COMPOUNDS	CHIESI FARMACEUTICI S.P.A.	18- Dec- 12	10- May -16	1- Sep -16
US20160251 319	CARBOXYLIC ACID COMPOUNDS	Astrazeneca Aktiebolag	18- May- 12	11- May -16	1- Sep -16
US20160250 326	Conjugates of GM-CSF and IL-7, and Compositions Thereof	Not Available	14- Nov- 11	18- May -16	1- Sep -16
US20160250 278	PEPTIDOMIMETIC MACROCYCLES	Not Available	14- Jan- 09	7- Apr -16	1- Sep -16
US20160250 168	ESTERS OF SHORT CHAINS FATTY ACIDS FOR USE IN THE TREATMENT OF IMMUNOGENIC DISORDERS	Not Available	3- Oct- 12	3- Mar -16	1- Sep -16
US20160238 601	METHODS AND COMPOSITIONS FOR CORONAVIRUS DIAGNOSTICS AND THERAPEUTICS	Not Available	14- Oct- 13	14- Oct -14	18- Aug -16
US20160238 600	METHOD FOR SELECTING A SINGLE CELL EXPRESSING A HETEROGENEOUS COMBINATION OF ANTIBODIES	Merus B.V.	30- May- 03	27- Apr -16	18- Aug -16
US20160237 455	CRISPR-RELATED METHODS AND COMPOSITIONS	Editas Medicine, Inc.	27- Sep- 13	26- Sep -14	18- Aug -16
US20160237 123	COMPOSITIONS AND METHODS FOR THE TREATMENT OF VIRAL INFECTIONS	Not Available	23- Jan- 08	4- May -16	18- Aug -16
US20160237 082	DEUBIQUITINASE INHIBITORS AND METHODS FOR USE OF THE SAME	Not Available	10- Oct- 13	10- Oct -14	18- Aug -16
US20160235 840	Compositions, Comprising Improved Il-12 Genetic Constructs And Vaccines, Immunotherapeutics And Methods Of Using The Same	Not Available	12- Dec- 11	26- Feb -16	18- Aug -16
US20160235 837	THERAPIES, VACCINES, AND PREDICTIVE METHODS FOR MIDDLE EAST RESPIRATORY SYNDROME VIRUS (MERS CoV)	Not Available	16- Oct- 13	16- Oct -14	18- Aug -16
US20160235 835	INFLUENZA VACCINES WITH REDUCED AMOUNTS OF SQUALENE	Seqirus UK Limited	10- Feb- 09	27- Jan -16	18- Aug -16
US20160235 675	Technology for the Preparation of Microparticles	Not Available	24- Jul-07	24- Mar -16	18- Aug -16
US20160230 190	Lentiviral Vectors Having a Mutated Integrase Protein and uses Thereof	Not Available	17- Sep- 13	17- Sep -14	11- Aug -16
US20160229 904	Optimized Human Clotting Factor VIII Gene Expression Cassettes and Their Use	Not Available	6- Feb- 15	5- Feb -16	11- Aug -16
US20160229 872	ISOTHIAZOLOPYRIMIDINONES, PYRAZOLOPYRIMIDINONES, AND PYRROLOPYRIMIDINONES AS UBIQUITIN-SPECIFIC PROTEASE 7 INHIBITORS	Not Available	5- Feb- 15	4- Feb -16	11- Aug -16
US20160229 864	THIENOPYRIMIDINONES AS UBIQUITIN-SPECIFIC PROTEASE 7 INHIBITORS	Not Available	5- Feb- 15	4- Feb -16	11- Aug -16
US20160229 833	QUINAZOLINONES AND AZAQUINAZOLINONES AS UBIQUITIN-SPECIFIC PROTEASE 7 INHIBITORS	Not Available	5- Feb- 15	4- Feb -16	11- Aug -16
US20160228 540	NASAL MUCOSAL VACCINE COMPOSITION	NITTO DENKO CORPORATION	3- Oct- 13	2- Oct -14	11- Aug -16
US20160228 533	Use of EGFR Pathway Inhibitors to Increase Immune Responses to Antigens	Emory University	23- Sep- 13	23- Sep -14	11- Aug -16
US20160228 532	METHOD OF OBTAINING THERMOSTABLE DRIED VACCINE FORMULATIONS	Merck Sharp & Dohme Corp.	16- Oct- 13	13- Oct -14	11- Aug -16
US20160228 463	BORON-CONTAINING SMALL MOLECULES	Not Available	16- Feb- 05	20- Apr -16	11- Aug -16

US20160222 414	CONSTRUCTS AND METHODS FOR DELIVERING MOLECULES VIA VIRAL VECTORS WITH BLUNTED INNATE IMMUNE RESPONSES	Not Available	14- Mar- 13	15- Apr- 16	4- Aug- 16
US20160222 072	Universal Protein Tag for Double Stranded Nucleic Acid Delivery	Not Available	23- Oct- 13	22- Oct- 14	4- Aug- 16
US20160222 023	NOVEL MONOTHIOLE MUCOLYTIC AGENTS	PARION SCIENCES, INC.	30- Jan- 15	29- Jan- 16	4- Aug- 16
US20160222 010	4-AMINO-IMIDAZOQUINOLINE COMPOUNDS	Hoffmann-La Roche Inc.	22- Apr- 14	7- Apr- 16	4- Aug- 16
US20160221 994	Substituted 2,3-Dihydrobenzofuranyl Compounds And Uses Thereof	Not Available	29- Nov- 12	27- Nov- 13	4- Aug- 16
US20160220 664	ANTIGEN AND METHOD FOR PRODUCTION THEREOF	Not Available	13- Sep- 13	12- Sep- 14	4- Aug- 16
US20160220 595	NUCLEOTIDE AND NUCLEOSIDE THERAPEUTIC COMPOSITIONS AND USES RELATED THERETO	Not Available	11- Sep- 13	10- Sep- 14	4- Aug- 16
US20160220 536	USE OF PHENYLMETHIMAZOLES, METHIMAZOLE DERIVATIVES, AND TAUTOMERIC CYCLIC THIONES FOR THE TREATMENT OF AUTOIMMUNE/INFLAMMATORY DISEASES ASSOCIATED WITH TOLL-LIKE RECEPTOR OVEREXPRESSION	Not Available	16- Mar- 04	19- Feb- 16	4- Aug- 16
US20160215 282	SYNTHETIC ANTISERUM FOR RAPID-TURNAROUND THERAPIES	Not Available	28- Jan- 15	20- Jan- 16	28- Jul- 16
US20160215 262	CD137 ENRICHMENT FOR EFFICIENT TUMOR INFILTRATING LYMPHOCYTE SELECTION	Not Available	16- Sep- 13	16- Sep- 14	28- Jul- 16
US20160213 776	ADSORPTION OF IMMUNOPOTENTIATORS TO INSOLUBLE METAL SALTS	GlaxoSmithKline Biologicals SA	1- Sep- 10	7- Apr- 16	28- Jul- 16
US20160213 773	MUCOSAL VACCINE COMPOSITION	NITTO DENKO CORPORATION	3- Oct- 13	2- Oct- 14	28- Jul- 16
US20160213 761	CARBON NANOTUBE COMPOSITIONS AND METHODS OF USE THEREOF	Not Available	19- Mar- 08	5- Apr- 16	28- Jul- 16
US20160213 647	COMPOSITIONS AND METHODS FOR INHIBITING VIRAL INFECTION	Not Available	28- Jan- 15	27- Jan- 16	28- Jul- 16
US20160213 610	MODIFIED RELEASE FORMULATIONS FOR OPROZOMIB	Not Available	24- Oct- 12	28- Jan- 16	28- Jul- 16
US20160207 980	FC-CONTAINING MOLECULES EXHIBITING PREDICTABLE, CONSISTENT, AND REPRODUCIBLE GLYCOFORM PROFILES	AMGEN INC.	5- Sep- 13	5- Sep- 14	21- Jul- 16
US20160207 949	NOVEL CYTOTOXIC AGENTS FOR CONJUGATION TO A CELL BINDING MOLECULE	Hangzhou DAC Biotech Co., Ltd	2- Sep- 13	2- Sep- 13	21- Jul- 16
US20160207 900	PEPTIDYL NITRIL COMPOUNDS AS DIPEPTIDYL PEPTIDASE I INHIBITORS	PROZYMEX A/S	9- Sep- 13	8- Sep- 14	21- Jul- 16
US20160206 729	IMMUNOGENIC MIDDLE EAST RESPIRATORY SYNDROME CORONAVIRUS (MERS-CoV) COMPOSITIONS AND METHODS	Not Available	19- Sep- 13	19- Sep- 14	21- Jul- 16
US20160206 719	COMBINATION OF VACCINATION AND INHIBITION OF THE PD-1 PATHWAY	CureVac AG	22- Feb- 13	5- Apr- 16	21- Jul- 16
US20160206 638	BORON-CONTAINING SMALL MOLECULES	Not Available	16- Feb- 05	5- Apr- 16	21- Jul- 16
US20160206 575	Inhibition of Biofilm Organisms	NOVABIOTICS LIMITED	31- Mar- 09	28- Mar- 16	21- Jul- 16
US20160202 258	B-CELL ANTIGEN PRESENTING CELL ASSAY	University of Pittsburgh - Of the Commonwealth System of Higher Education	8- Apr- 10	21- Mar- 16	14- Jul- 16
US20160201 110	DIAGNOSIS AND TREATMENT OF INCIPIENT DIABETES	Not Available	9- Jan- 15	17- Nov- 15	14- Jul- 16
US20160201 088	ADENO-ASSOCIATED VIRUS (AAV) SEROTYPE 8 SEQUENCES, VECTORS CONTAINING SAME, AND USES THEREFOR	Not Available	17- Dec- 01	30- Mar- 16	14- Jul- 16
US20160199 486	ARRANGING INTERACTION AND BACK PRESSURE CHAMBERS FOR MICROFLUIDIZATION	Not Available	3- Dec- 09	22- Mar- 16	14- Jul- 16
US20160199 449	METHOD OF REDUCING ANTIGENIC DRIFT OR REASSORTMENT OF VIRUSES IN A HOST ANIMAL USING ALPHA INTERFERON	Hemispherx Biopharma, Inc.	21- Aug- 13	21- Aug- 14	14- Jul- 16

US20160199 416	Induced Hepatocytes and Uses Thereof	Not Available	26- Nov- 14	25- Nov- 15	14- Jul- 16
US20160199 407	HALIDES IN THE TREATMENT OF PATHOGENIC INFECTION	THE UNIVERSITY OF IOWA RESEARCH FOUNDATION	25- Jan- 08	17- Dec- 15	14- Jul- 16
US20160194 387	Methods Of Treating Inflammation Associated Airway Diseases And Viral Infections	Not Available	2- Jan- 15	31- Dec- 15	7- Jul- 16
US20160194 322	SUBSTITUTED IMIDAZO RING SYSTEMS AND METHODS	Not Available	25- Nov- 03	14- Mar- 16	7- Jul- 16
US20160194 278	DITHIOL MUCOLYTIC AGENTS	PARION SCIENCES, INC.	23- Aug- 13	11- Mar- 16	7- Jul- 16
US20160193 603	SAMPLE-TO-ANSWER MICROFLUIDIC CARTRIDGE	Not Available	29- Jan- 10	5- Aug- 15	7- Jul- 16
US20160193 327	MUCOSAL VACCINE COMPOSITION	NITTO DENKO CORPORATION	3- Oct- 13	2- Oct- 14	7- Jul- 16
US20160193 321	MAKING INFLUENZA VIRUS VACCINES WITHOUT USING EGGS	Novartis AG	11- Sep- 06	5- Nov- 15	7- Jul- 16
US20160193 315	PEPTIDES SHARED AMONG LETHAL CANCERS AND THERAPEUTIC COMPOSITIONS COMPRISING SAID PEPTIDES	Not Available	7- Aug- 09	17- Mar- 16	7- Jul- 16
US20160192 658	HYDROGEN-CONTAINING ANTIMICROBIAL AGENT	Not Available	13- Aug- 13	5- Aug- 14	7- Jul- 16
US20160185 786	PYRROLOTRIAZINONES AND IMIDAZOTRIAZINONES AS UBIQUITIN-SPECIFIC PROTEASE 7 INHIBITORS	Not Available	30- Dec- 14	29- Dec- 15	30- Jun- 16
US20160185 785	PYRROLO AND PYRAZOLOPYRIMIDINES AS UBIQUITIN-SPECIFIC PROTEASE 7 INHIBITORS	Not Available	30- Dec- 14	29- Dec- 15	30- Jun- 16
US20160184 424	INTRANASAL VACCINATION DOSAGE REGIMEN	Not Available	17- Dec- 12	17- Dec- 13	30- Jun- 16
US20160184 334	BORON-CONTAINING SMALL MOLECULES	Not Available	16- Feb- 05	11- Mar- 16	30- Jun- 16
US20160177 337	METHOD FOR PRODUCTION OF REPROGRAMMED CELL USING CHROMOSOMALLY UNINTEGRATED VIRUS VECTOR	Not Available	16- Jul-08	8- Mar- 16	23- Jun- 16
US20160177 336	Expression Tools for Multiprotein Applications	Not Available	9- Mar- 04	11- Dec- 15	23- Jun- 16
US20160175 433	LIPIDATED IMMUNE RESPONSE MODIFIER COMPOUND COMPOSITIONS, FORMULATIONS, AND METHODS	Not Available	17- Aug- 10	15- Dec- 15	23- Jun- 16
US20160175 394	Compositions and Uses of Lectins	Emory University	12- Feb- 10	11- Dec- 15	23- Jun- 16
US20160175 387	Use of Immune Suppressive Domains as Medicaments	Not Available	10- Apr- 13	10- Apr- 14	23- Jun- 16
US20160174 631	PROTECTIVE MASKS WITH COATING COMPRISING DIFFERENT ELECTROSPUN FIBERS INTERWEAVED WITH EACH OTHER, FORMULATIONS FORMING THE SAME, AND METHOD OF PRODUCING THEREOF	Not Available	23- Dec- 14	10- Dec- 15	23- Jun- 16
US20160168 203	Cyclic Antimicrobial Peptides	NOVABIOTICS LIMITED	24- Feb- 06	9- Nov- 15	16- Jun- 16
US20160168 101	NOVEL COMPOUNDS	CHIESI FARMACEUTICI S.p.A.	15- Dec- 14	27- Nov- 15	16- Jun- 16
US20160166 710	METHOD FOR INCREASING EXPRESSION OF RNA-ENCODED PROTEINS	CureVac AG	21- Aug- 13	19- Feb- 16	16- Jun- 16
US20160166 676	Use of Immune Suppressive Peptides as Adjuvants	Not Available	10- Apr- 13	10- Apr- 14	16- Jun- 16
US20160160 258	MONOCLONAL ANTIBODY PRODUCTION BY EBV TRANSFORMATION OF B CELLS	Not Available	26- Feb- 03	8- Feb- 16	9- Jun- 16
US20160160 178	IMMUNOTHERAPY USING STEM CELLS	Not Available	9- Dec- 14	2- Dec- 15	9- Jun- 16
US20160159 927	IDENTIFICATION OF VSIG8 AS THE PUTATIVE VISTA RECEPTOR (V-R) AND USE THEREOF TO PRODUCE VISTA/VSIG8 AGONISTS AND ANTAGONISTS	Not Available	5- Dec- 14	7- Dec- 15	9- Jun- 16
US20160158 341	PREPARATION OF INFLUENZA VIRUS VACCINE ANTIGENS	Novartis AG	18- Mar- 08	7- Dec- 15	9- Jun- 16

US20160158 340	INFLUENZA VACCINES CONTAINING HEMAGGLUTININ AND MATRIX PROTEINS	Not Available	27- Jan- 06	4- Dec- 15	9- Jun- 16
US20160158 339	METHOD FOR INACTIVATING VIRUSES USING ELECTRON BEAMS	Not Available	26- Jul-13	24- Jul- 14	9- Jun- 16
US20160158 308	TREATMENT OF MULTIPLE EVOLVING BACTERIAL RESISTANCE DISEASES WITH LIPOSOMALLY FORMULATED GLUTATHIONE	CHILDREN'S HEALTHCARE OF ATLANTA, INC.	12- Nov- 13	14- Aug- 14	9- Jun- 16
US20160158 294	Methods of Populating a Gastrointestinal Tract	Not Available	4- Feb- 13	4- Feb- 14	9- Jun- 16
US20160158 154	PROTEIN VESICLES AND METHODS OF MAKING AND USING THEREOF	Not Available	5- Dec- 14	7- Dec- 15	9- Jun- 16
US20160153 034	Rapid Epidemiologic Typing of Bacteria	Not Available	19- May- 08	11- Nov- 15	2- Jun- 16
US20160152 693	AMINO ACID SEQUENCES DIRECTED AGAINST ENVELOPE PROTEINS OF A VIRUS AND POLYPEPTIDES COMPRISING THE SAME FOR THE TREATMENT OF VIRAL DISEASES	Ablynx N.V.	5- Jun- 08	29- Oct- 15	2- Jun- 16
US20160152 676	HELIX-GRAFTED PROTEINS AS INHIBITORS OF DISEASE-RELEVANT PROTEIN-PROTEIN INTERACTIONS	COLORADO STATE UNIVERSITY RESEARCH FOUNDATION	7- Nov- 14	9- Nov- 15	2- Jun- 16
US20160152 667	COMPOSITIONS AND METHODS FOR THE TREATMENT OF VIRAL INFECTIONS	Not Available	23- Jan- 08	9- Feb- 16	2- Jun- 16
US20160152 596	Nuclear Transport Modulators and Uses Thereof	Karyopharm Therapeutics Inc.	21- Jun- 13	20- Jun- 14	2- Jun- 16
US20160151 399	BORON-CONTAINING SMALL MOLECULES	Not Available	16- Feb- 05	17- Feb- 16	2- Jun- 16
US20160146 806	RECEPTORS FOR B7-H4	Not Available	17- May- 13	19- May- 14	26- May- 16
US20160146 786	Method of monitoring cellular trafficking of peptides	Not Available	26- Jun- 13	26- Jun- 14	26- May- 16
US20160145 246	NUCLEAR TRANSPORT MODULATORS AND USES THEREOF	Not Available	9- May- 12	23- Jun- 15	26- May- 16
US20160144 061	Compositions and Imaging Methods Comprising Detectably Labeled Phosphatidylethanolamine-Binding Peptides	Not Available	15- Jul-02	4- Feb- 16	26- May- 16
US20160139 143	DETECTING TARGETS USING MASS TAGS AND MASS SPECTROMETRY	Not Available	2-Jul-10	28- Dec- 15	19- May- 16
US20160137 702	GAS57 MUTANT ANTIGENS AND GAS57 ANTIBODIES	Not Available	12- Sep- 07	7- Aug- 15	19- May- 16
US20160137 649	PYRROLO-PYRROLE CARBAMATE AND RELATED ORGANIC COMPOUNDS, PHARMACEUTICAL COMPOSITIONS, AND MEDICAL USES THEREOF	Not Available	3-Jul-13	1- Jul- 14	19- May- 16
US20160135 453	SHELF STABLE, REDUCED CORROSION, READY TO USE PEROXYCARBOXYLIC ACID ANTIMICROBIAL COMPOSITIONS	Not Available	30- Aug- 07	20- Jan- 16	19- May- 16
US20160130 367	GENERATION OF BINDING MOLECULES	Merus B.V.	26- Sep- 11	16- Sep- 15	12- May- 16
US20160130 345	COMBINATION OF VACCINATION AND INHIBITION OF THE PD-1 PATHWAY	Not Available	22- Feb- 13	21- Feb- 14	12- May- 16
US20160130 265	SUBSTITUTED 4-PYRIDONES AND THEIR USE AS INHIBITORS OF NEUTROPHIL ELASTASE ACTIVITY	Not Available	23- Aug- 12	29- Dec- 15	12- May- 16
US20160129 110	IMMUNOPROTECTIVE PRIMARY MESENCHYMAL STEM CELLS AND METHODS	AUTOIMMUNE TECHNOLOGIES, LLC	14- Mar- 13	17- Jul- 15	12- May- 16
US20160129 104	HAND, FOOT, AND MOUTH VACCINES AND METHODS OF MANUFACTURE AND USE THEREOF	Not Available	7- Nov- 14	6- Nov- 15	12- May- 16
US20160129 095	Immunostimulatory Combinations	Not Available	30- Dec- 02	10- Sep- 15	12- May- 16
US20160128 937	CIRCULATION OF COMPONENTS DURING MICROFLUIDIZATION AND/OR HOMOGENIZATION OF EMULSIONS	Novartis AG	3- Dec- 09	5- Sep- 14	12- May- 16
US20160122 412	COMPOSITION COMPRISED OF ANTIGEN LINKED TO A TNF SUPERFAMILY LIGAND	Not Available	15- Mar- 13	16- Mar- 14	5- May- 16

US20160122 397	REPLIKIN-BASED COMPOUNDS FOR PREVENTION AND TREATMENT OF INFLUENZA AND METHODS OF DIFFERENTIATING INFECTIVITY AND LETHALITY IN INFLUENZA	Not Available	23- Apr- 09	2- Dec- 15	5- May- 16
US20160122 312	ANTI-VIRAL COMPOUNDS, PHARMACEUTICAL COMPOSITIONS AND METHODS OF USE THEREOF	Not Available	16- Jul-13	16- Jul-14	5- May- 16
US20160122 306	DENDRIMER LIKE AMINO AMIDES POSSESSING SODIUM CHANNEL BLOCKER ACTIVITY FOR THE TREATMENT OF DRY EYE AND OTHER MUCOSAL DISEASES	PARION SCIENCES, INC.	29- May- 12	5- Jan- 16	5- May- 16
US20160116 462	ANTIBODY-NANOPARTICLE CONJUGATES AND METHODS FOR MAKING AND USING SUCH CONJUGATES	Not Available	27- Apr- 10	21- Apr- 15	28- Apr- 16
US20160115 522	MUTANT PROTEASE BIOSENSORS WITH ENHANCED DETECTION CHARACTERISTICS	Not Available	11- May- 10	7- Jan- 16	28- Apr- 16
US20160115 221	COMPOSITIONS AND METHODS FOR THE TREATMENT OF IMMUNODEFICIENCY	Not Available	28- Oct- 14	2- Jul- 15	28- Apr- 16
US20160114 322	PARALLELIZED SAMPLE HANDLING	Not Available	19- Apr- 13	18- Apr- 14	28- Apr- 16
US20160114 037	COMPOSITIONS AND METHODS FOR THE TREATMENT OF IMMUNODEFICIENCY	Not Available	28- Oct- 14	8- Jan- 15	28- Apr- 16
US20160114 027	RECOMBINANT HCMV AND RHCMV VECTORS AND USES THEREOF	Not Available	14- May- 10	1- Oct- 15	28- Apr- 16
US20160114 022	THERAPIES, VACCINES, AND PREDICTIVE METHODS FOR FILOVIRUSES INCLUDING EBOLAVIRUS AND MARBURG VIRUS	Not Available	11- Oct- 14	10- Oct- 15	28- Apr- 16
US20160113 929	METHODS AND COMPOSITIONS FOR TREATING VIRAL OR VIRALLY-INDUCED CONDITIONS	Not Available	11- Mar- 10	2- Jun- 15	28- Apr- 16
US20160113 920	COMPOSITIONS AND METHODS FOR INHIBITING BACTERIAL AND VIRAL PATHOGENS	Not Available	24- Oct- 14	23- Oct- 15	28- Apr- 16
US20160113 881	NOVEL NANOPARTICLE COMPOSITIONS	Not Available	3- Apr- 13	3- Apr- 14	28- Apr- 16
US20160113 870	CIRCULATION OF COMPONENTS DURING MICROFLUIDIZATION AND/OR HOMOGENIZATION OF EMULSIONS	Novartis AG	3- Dec- 09	5- Sep- 14	28- Apr- 16
US20160108 463	Biological Specimen Collection and Transport System	Longhorn Vaccines and Diagnostics, LLC	1- Oct- 07	15- Dec- 15	21- Apr- 16
US20160108 461	TARGETED WHOLE GENOME AMPLIFICATION METHOD FOR IDENTIFICATION OF PATHOGENS	Not Available	14- Sep- 06	5- Oct- 15	21- Apr- 16
US20160108 359	AVIAN CELLS FOR IMPROVED VIRUS PRODUCTION	Not Available	5- Jun- 13	3- Jun- 14	21- Apr- 16
US20160108 097	MONOMERIC GRIFFITHSIN TANDEMERS	The United States of America, as represented by the Secretary, Department of Health and Human Serv	5- Jun- 13	5- Jun- 14	21- Apr- 16
US20160108 096	FUSION PROTEINS, RECOMBINANT BACTERIA, AND METHODS FOR USING RECOMBINANT BACTERIA	Not Available	17- Sep- 14	17- Sep- 15	21- Apr- 16
US20160108 063	BORON-CONTAINING SMALL MOLECULES	Not Available	16- Feb- 05	21- Dec- 15	21- Apr- 16
US20160106 842	LIPIDS AND LIPID COMPOSITIONS FOR THE DELIVERY OF ACTIVE AGENTS	Not Available	8- Mar- 13	6- Mar- 14	21- Apr- 16
US20160102 295	MODIFIED ADENOVIRUS HEXON PROTEIN AND USES THEREOF	Not Available	28- Apr- 06	22- May- 15	14- Apr- 16
US20160102 091	HETEROCYCLIC MODULATORS OF LIPID SYNTHESIS	3-V BIOSCIENCES, INC.	8- Mar- 11	5- Oct- 15	14- Apr- 16
US20160101 145	PEPTIDOMIMETIC MACROCYCLES AND FORMULATIONS THEREOF	Not Available	24- Sep- 14	24- Sep- 15	14- Apr- 16
US20160096 899	METHODS FOR TREATING JUVENILE ARTHRITIS WITH ANTI-BILE SALT-STIMULATED LIPASE (BSSL) ANTIBODIES	Not Available	8- Apr- 09	28- Sep- 15	7- Apr- 16
US20160096 895	BINDING MEMBERS-513	Not Available	7- Nov- 08	23- Oct- 15	7- Apr- 16
US20160095 936	IMMUNOSTIMULATORY COMPOSITIONS AND METHODS OF USE THEREOF	Not Available	5- Apr- 12	2- Jul- 15	7- Apr- 16
US20160090 589	COMPOSITIONS FOR AND METHODS OF IDENTIFYING ANTIGENS	Not Available	21- Feb- 06	6- May- 15	31- Mar- 16



US20160090389	Phosphoinositide 3-Kinase Inhibitors	Respivert Ltd.	15-Mar-13	4-Dec-15	31-Mar-16
US20160084835	METHODS FOR DIAGNOSING INFECTIOUS DISEASES USING ADSORPTION MEDIA	EXTERA MEDICAL CORPORATION	8-Nov-13	16-Oct-15	24-Mar-16
US20160083748	TISSUE PREFERENTIAL CODON MODIFIED EXPRESSION CASSETTES, VECTORS CONTAINING SAME, AND USES THEREOF	Not Available	29-Apr-13	29-Apr-14	24-Mar-16
US20160083689	ANIMAL PROTEIN-FREE MEDIA FOR CULTIVATION OF CELLS	Not Available	29-Oct-04	30-Nov-15	24-Mar-16
US20160082074	COMPOSITIONS AND METHODS FOR TREATING CORONAVIRUS INFECTION	LUDWIG-MAXIMILIANS-UNIVERSITAET MUENCHEN	11-Mar-14	8-May-15	24-Mar-16
US20160081982	METHODS FOR TREATING PULMONARY EMPHYSEMA USING SUBSTITUTED 2-AZA-BICYCLO[2.2.1]HEPTANE-3-CARBOXYLIC ACID (BENZYL-CYANO-METHYL)-AMIDES INHIBITORS OF CATHEPSIN C	Not Available	14-Mar-13	1-Dec-15	24-Mar-16
US20160081346	ANTIMICROBIAL COMPOSITIONS AND METHODS	Not Available	23-Sep-14	22-Sep-15	24-Mar-16
US20160077094	Media Elaborated with Newly Synthesized Antibodies (MENSA) and Uses Thereof	Not Available	5-May-14	5-May-15	17-Mar-16
US20160076094	Efficient Deep Sequencing and Rapid Genomic Speciation of RNA Viruses (vRNAseq)	Not Available	8-Sep-14	1-Sep-15	17-Mar-16
US20160076053	REPLICATION DEFECTIVE ADENOVIRUS VECTOR IN VACCINATION	Not Available	24-Aug-12	15-Mar-13	17-Mar-16
US20160075704	NOVEL SUBSTITUTED SPIROCYCLES	Not Available	12-Sep-14	10-Sep-15	17-Mar-16
US20160074507	METHOD FOR PREPARING VIRAL PARTICLES WITH CYCLIC DINUCLEOTIDE AND USE OF SAID PARTICLES FOR INDUCING IMMUNE RESPONSE	Not Available	16-Sep-14	16-Sep-15	17-Mar-16
US20160074506	DELIVERY OF SELF-REPLICATING RNA USING BIODEGRADABLE POLYMER PARTICLES	Not Available	6-Jul-10	23-Nov-15	17-Mar-16
US20160074481	Clottable Concentrate Of Platelet Growth Factors And Preparation Method Thereof	Zheng Yang Biomedical Technology Co., LTD.	7-Jan-08	30-Nov-15	17-Mar-16
US20160068843	Compositions and Methods for "Resistance-Proof" SIRNA Therapeutics for Influenza	Sirnaomics, Inc.	8-Jul-12	7-Jul-13	10-Mar-16
US20160068587	OLIGOPEPTIDE-FREE CELL CULTURE MEDIA	Not Available	3-Jan-07	16-Nov-15	10-Mar-16
US20160068573	PEPTIDOMIMETIC MACROCYCLES	Not Available	14-Jan-09	14-Sep-15	10-Mar-16
US20160067333	GENERATING PEPTOID VACCINES	The Board of Regents of the University of Texas System	3-May-13	2-May-14	10-Mar-16
US20160060598	MEANS AND METHODS FOR INFLUENCING THE STABILITY OF ANTIBODY PRODUCING CELLS	Not Available	9-Dec-05	26-Aug-15	3-Mar-16
US20160060231	SUBSTITUTED BICYCLIC DIHYDROPYRIMIDINONES AND THEIR USE AS INHIBITORS OF NEUTROPHIL ELASTASE ACTIVITY	Not Available	6-Feb-13	9-Nov-15	3-Mar-16
US20160060230	SUBSTITUTED BICYCLIC DIHYDROPYRIMIDINONES AND THEIR USE AS INHIBITORS OF NEUTROPHIL ELASTASE ACTIVITY	Not Available	6-Feb-13	9-Nov-15	3-Mar-16
US20160060224	N-MYRISTOYL TRANSFERASE INHIBITORS	UNIVERSITY OF DUNDEE	2-Sep-08	31-Aug-15	3-Mar-16
US20160058814	PLANT EXTRACTS AND RELATED COMPOSITIONS, METHODS AND SYSTEMS	Not Available	26-Aug-14	26-Aug-14	3-Mar-16
US20160058012	WEAR RESISTANT ANTIMICROBIAL COMPOSITIONS AND METHODS OF USE	Not Available	14-Dec-10	24-Sep-15	3-Mar-16
US20160058008	ANTIMICROBIAL COMPOSITIONS AND METHODS WITH NOVEL POLYMERIC BINDING SYSTEM	Not Available	28-Aug-14	28-Aug-15	3-Mar-16
US20160054312	CHEMICALLY DIFFERENTIATED SENSOR ARRAY	Nanomedical Diagnostics, Inc.	28-Apr-14	15-Oct-15	25-Feb-16
US20160053308	PROBE KIT FOR DETECTING A SINGLE STRAND TARGET NUCLEOTIDE SEQUENCE	Fondzione Istituto Italiano Di Tecnolgia	27-Dec-12	27-Dec-13	25-Feb-16
US20160053222	BACILLUS BASED DELIVERY SYSTEM AND METHODS OF USE	Not Available	18-Apr-11	9-Sep-15	25-Feb-16

US20160052 959	RADIOLABELED CATIONIC STEROID ANTIMICROBIALS AND DIAGNOSTIC METHODS	BRIGHAM YOUNG UNIVERSITY	22-Aug-14	19-Aug-15	25-Feb-16
US20160051 691	CARBOHYDRATE CONJUGATES AS DELIVERY AGENTS FOR OLIGONUCLEOTIDES	Not Available	4-Dec-07	25-Aug-15	25-Feb-16
US20160051 670	METHODS FOR PREPARING SQUALENE	Not Available	12-May-10	23-Oct-15	25-Feb-16
US20160051 669	COMPOSITIONS AND METHODS FOR SELECTIVELY MODULATING TREGS	Not Available	21-Aug-14	21-Aug-15	25-Feb-16
US20160046 705	HETERODIMERIC IMMUNOGLOBULINS	Not Available	21-Nov-12	21-Nov-13	18-Feb-16
US20160046 687	GM-CSF AND IL-4 CONJUGATES, COMPOSITIONS, AND METHODS RELATED THERETO	Not Available	23-Oct-12	23-Oct-13	18-Feb-16
US20160045 547	METHOD OF PREVENTING OR TREATING SINUSITIS WITH OXIDATIVE REDUCTIVE POTENTIAL WATER SOLUTION	OCULUS INNOVATIVE SCIENCES, INC.	30-Dec-03	27-Oct-15	18-Feb-16
US20160041 168	ARRAYED DETECTOR SYSTEM FOR MEASUREMENT OF INFLUENZA IMMUNE RESPONSE	Not Available	2-May-08	23-Oct-15	11-Feb-16
US20160040 161	In Vivo Delivery of Oligonucleotides	OncoImmunin Inc.	12-Dec-11	12-Dec-12	11-Feb-16
US20160039 867	SINGLE-CHAIN ANTIPARALLEL COILED COIL PROTEINS	Complex NV	8-Dec-08	21-Aug-15	11-Feb-16
US20160039 860	ENANTIOMERS OF THE 1',6'-ISOMER OF NEPLANOCIN A	Not Available	4-Aug-14	4-Aug-15	11-Feb-16
US20160039 826	2-((4-AMINO-3-(3-FLUORO-5-HYDROXYPHENYL)-1H-PYRAZOLO[3,4-D]PYRIMIDIN-1-YL)METHYL)-3-(2-(TRIFLUOROMETHYL)BENZYL) QUINAZOLIN-4(3H)-ONE DERIVATIVES AND THEIR USE AS PHOSPHOINOSITIDE 3-KINASE INHIBITORS	Not Available	15-Mar-13	14-Mar-14	11-Feb-16
US20160039 812	SUBSTITUTED BICYCLIC DIHYDROPYRIMIDINONES AND THEIR USE AS INHIBITORS OF NEUTROPHIL ELASTASE ACTIVITY	Not Available	31-Jul-14	27-Jul-15	11-Feb-16
US20160032 319	VECTORS COMPRISING STUFFER/FILLER POLYNUCLEOTIDE SEQUENCES AND METHODS OF USE	THE CHILDREN'S HOSPITAL OF PHILADELPHIA	15-Mar-13	14-Mar-14	4-Feb-16
US20160031 861	SUBSTITUTED OXETANES AND THEIR USE AS INHIBITORS OF CATHEPSIN C	Not Available	1-Aug-14	31-Jul-15	4-Feb-16
US20160031 831	SUBSTITUTED BICYCLIC DIHYDROPYRIMIDINONES AND THEIR USE AS INHIBITORS OF NEUTROPHIL ELASTASE ACTIVITY	Not Available	31-Jul-14	27-Jul-15	4-Feb-16
US20160031 830	SUBSTITUTED BICYCLIC DIHYDROPYRIMIDINONES AND THEIR USE AS INHIBITORS OF NEUTROPHIL ELASTASE ACTIVITY	Not Available	31-Jul-14	27-Jul-15	4-Feb-16
US20160031 829	SUBSTITUTED BICYCLIC DIHYDROPYRIMIDINONES AND THEIR USE AS INHIBITORS OF NEUTROPHIL ELASTASE ACTIVITY	Not Available	31-Jul-14	27-Jul-15	4-Feb-16
US20160031 825	SUBSTITUTED DIHYDROPYRIMIDINONES AND THEIR USE AS INHIBITORS OF NEUTROPHIL ELASTASE ACTIVITY	Not Available	31-Jul-14	27-Jul-15	4-Feb-16
US20160030 443	METHODS AND COMPOSITIONS FOR MODULATING REGULATORY T CELL FUNCTION	Not Available	14-Mar-13	14-Mar-14	4-Feb-16
US20160025 675	METHOD FOR ELECTRONIC BIOLOGICAL SAMPLE ANALYSIS	Nanomedical Diagnostics, Inc.	28-Apr-14	1-Oct-15	28-Jan-16
US20160025 603	AIRBORNE AGENT COLLECTORS, METHODS, SYSTEMS AND DEVICES FOR MONITORING AIRBORNE AGENTS	Not Available	22-Jul-14	21-Jul-15	28-Jan-16
US20160024 525	REVERSE GENETICS USING NON-ENDOGENOUS POL I PROMOTERS	NOVARTIS AG	21-May-09	7-May-15	28-Jan-16
US20160024 158	Inhibitory Polypeptides Specific to WNT Inhibitors	Not Available	15-Mar-13	14-Mar-14	28-Jan-16
US20160022 801	RODENT HEPADNAVIRUS CORES WITH REDUCED CARRIER-SPECIFIC ANTIGENICITY	Not Available	15-Mar-13	14-Mar-14	28-Jan-16
US20160016 999	INHIBITORY PEPTIDES OF VIRAL INFECTION	Not Available	17-Jul-14	16-Jul-15	21-Jan-16
US20160016 986	STABILIZED NUCLEOTIDES FOR MEDICAL TREATMENT	Not Available	21-Jul-14	21-Jul-15	21-Jan-16

US20160016 916	Exo Olefin-Containing Nuclear Transport Modulators and Uses Thereof	Not Available	15- Mar- 13	14- Mar- 14	21- Jan- 16
US20160015 826	Constructs Binding to Phosphatidylserine and Their Use in Disease Treatment and Imaging	Not Available	24- Jan- 05	2- Feb- 15	21- Jan- 16
US20160015 803	IMMUNOSTIMULATORY COMBINATIONS AND USE THEREOF	Not Available	18- Jul-14	17- Jul- 15	21- Jan- 16
US20160011 183	MULTIANALYTE ASSAY	Not Available	30- Apr- 07	15- Jun- 15	14- Jan- 16
US20160008 809	METHODS AND COMPOSITIONS FOR PAPER-BASED AND HYBRID MICROFLUIDIC DEVICES INTEGRATED WITH NUCLEIC ACID AMPLIFICATION FOR DISEASE DIAGNOSIS	University of Texas at El Paso	10- Jul-14	10- Jul- 15	14- Jan- 16
US20160008 461	METHODS OF GENERATING ROBUST PASSIVE AND ACTIVE IMMUNE RESPONSES	Not Available	8- Jan- 13	2- Aug- 14	14- Jan- 16
US20160008 451	NANOPARTICLE-BASED COMPOSITIONS	Not Available	14- Mar- 13	14- Mar- 14	14- Jan- 16
US20160008 397	IMMUNOMODULATION BY CONTROLLING EXPRESSION LEVELS OF MICRORNAs IN DENDRITIC CELLS	Not Available	14- Jul-14	10- Jul- 15	14- Jan- 16
US20160008 363	DRUG COMBINATION	VERONA PHARMA PLC	15- Mar- 13	17- Mar- 14	14- Jan- 16
US20160003 747	Apparatus for two-step surface-enhanced raman spectroscopy	REAL-TIME ANALYZERS, INC	16- Dec- 11	11- Sep- 15	7- Jan- 16
US20160002 608	METHODS TO PRODUCE BUNYAVIRUS REPLICON PARTICLES	Not Available	20- Sep- 10	10- Jul- 15	7- Jan- 16
US20160000 905	Nanoparticle Delivery of TLR Agonists and Antigens	Not Available	25- Feb- 13	24- Feb- 14	7- Jan- 16
US20160000 790	DRUG COMBINATION	VERONA PHARMA PLC	15- Mar- 13	17- Mar- 14	7- Jan- 16
US20160000 754	Antiviral Activity from Medicinal Mushrooms and their Active Constituents	Not Available	6- Jan- 04	14- Sep- 15	7- Jan- 16
US20150377 887	IN SITU AFFINITY MATURATION OF ANTIBODIES	Not Available	27- Feb- 13	27- Feb- 14	31- Dec- 15
US20150376 621	MODIFIED SMALL INTERFERING RNA MOLECULES AND METHODS OF USE	ARROWHEAD RESEARCH CORPORATION	28- Feb- 08	14- May- 15	31- Dec- 15
US20150376 584	METHODS OF TREATING VIRAL INFECTIONS, PARTICULARLY RABIES, MERS-COV, INFLUENZA, EBOLA, CHIKUNGUNYA, VENEZUELAN EQUINE ENCEPHALITUS, CANINE PARVOVIRUS, ADENOVIRUS, RESPIRATORY SYNCYTIAL VIRUS, RHINOVIRUS, AND POXVIRUS IN MAMMALIAN PATIENTS	TAMIR BIOTECHNOLOGY, INC.	28- Mar- 14	10- Jun- 15	31- Dec- 15
US20150376 145	STABLE SODIUM CHANNEL BLOCKERS	PARION SCIENCES, INC.	30- Jun- 14	30- Jun- 15	31- Dec- 15
US20150376 131	SUBSTITUTED 4-PYRIDONES AND THEIR USE AS INHIBITORS OF NEUTROPHIL ELASTASE ACTIVITY	Not Available	23- Aug- 12	2- Sep- 15	31- Dec- 15
US20150374 723	Anti-Viral Azide Containing Compounds	Not Available	28- Jul-10	20- Aug- 15	31- Dec- 15
US20150374 626	TREATMENT OF EVOLVING BACTERIAL RESISTANCE DISEASES INCLUDING KLEBSIELLA PNEUMONIAE WITH LIPOSOMALLY FORMULATED GLUTATHIONE	YOUR ENERGY SYSTEMS, LLC	15- Feb- 13	15- Mar- 13	31- Dec- 15
US20150369 806	DETECTION OF VIRAL DISEASES USING A BIOCHIP THAT CONTAINS GOLD NANOPARTICLES	Not Available	19- Jun- 14	17- Jun- 15	24- Dec- 15
US20150368 661	METHODS FOR PRODUCING ANTIBODIES	Not Available	11- Feb- 13	11- Feb- 14	24- Dec- 15
US20150368 294	GADD45BETA TARGETING AGENTS	Not Available	22- Oct- 09	10- Feb- 15	24- Dec- 15
US20150366 888	SUBSTITUTED NUCLEOSIDES, NUCLEOTIDES AND ANALOGS THEREOF	Not Available	24- Jun- 14	22- Jun- 15	24- Dec- 15
US20150366 796	INTRADERMAL DELIVERY OF IMMUNOLOGICAL COMPOSITIONS COMPRISING TOLL-LIKE RECEPTOR AGONISTS	Not Available	1- Feb- 13	30- Jan- 14	24- Dec- 15

US20150361 432	MODIFIED SMALL INTERFERING RNA MOLECULES AND METHODS OF USE	Not Available	26- Jul-02	6- Aug-15	17- Dec-15
US20150361 097	HETEROCYCLIC AMIDE DERIVATIVES AS P2X7 RECEPTOR ANTAGONISTS	Not Available	22- Jan-13	21- Jan-14	17- Dec-15
US20150361 096	HETEROCYCLIC AMIDE DERIVATIVES AS P2X7 RECEPTOR ANTAGONISTS	Not Available	22- Jan-13	21- Jan-14	17- Dec-15
US20150359 871	IMMUNOGENIC COMPOSITIONS COMPRISING SILICIFIED VIRUS AND METHODS OF USE	PORTLAND STATE UNIVERSITY	31- Jan-13	31- Jan-14	17- Dec-15
US20150359 746	Technology for the Preparation of Microparticles	Not Available	24- Jul-07	17- Jun-15	17- Dec-15
US20150355 172	ADP-RIBOSE DETECTION REAGENTS	The Board of Regents of the University of Texas System	10- Jun-14	9- Jun-15	10- Dec-15
US20150353 905	CAS9-NUCLEIC ACID COMPLEXES AND USES RELATED THERETO	Not Available	16- Jan-13	15- Jan-14	10- Dec-15
US20150353 596	17-Substituted Steroid Compounds	Not Available	28- Aug-02	24- Aug-15	10- Dec-15
US20150353 561	NOVEL COMPOUNDS	CHIESI FARMACEUTICI S.P.A.	9- Jun-14	5- Jun-15	10- Dec-15
US20150352 218	HYDRAZINO 1H-IMIDAZOQUINOLIN-4-AMINES AND CONJUGATES MADE THEREFROM	3M INNOVATIVE PROPERTIES COMPANY	3- Jun-11	14- Aug-15	10- Dec-15
US20150344 425	INDOLE CARBOXAMIDE DERIVATIVES AS P2X7 RECEPTOR ANTAGONISTS	ACTELION PHARMACEUTICALS LTD	18- Dec-12	17- Dec-13	3- Dec-15
US20150343 028	METHODS OF MODULATING IMMUNE RESPONSES BY MODIFYING AKT3 BIOACTIVITY	Not Available	17- Apr-14	17- Apr-15	3- Dec-15
US20150337 369	SINGLE CELL ANALYSIS OF T CELLS USING HIGH-THROUGHPUT MULTIPLEX AMPLIFICATION AND DEEP SEQUENCING	Not Available	7- May-14	30- Apr-15	26- Nov-15
US20150337 334	METHOD FOR PRODUCTION OF REPROGRAMMED CELL USING CHROMOSOMALLY UNINTEGRATED VIRUS VECTOR	Not Available	16- Jul-08	29- Jul-15	26- Nov-15
US20150337 015	ANTIVIRAL RIFT VALLEY FEVER VIRUS PEPTIDES AND METHODS OF USE	The United States of America, as represented by the Secretary of the Army, on behalf of the United	6- Dec-12	4- Jun-15	26- Nov-15
US20150335 733	Immunogenic Composition and Methods of Using the Compositions for Inducing Humoral and Cellular Immune Responses	Not Available	8- Apr-11	27- Apr-15	26- Nov-15
US20150335 728	METHODS AND COMPOSITIONS FOR IMMUNIZATION AGAINST VIRUS	Academia Sinica	27- Mar-09	18- Feb-14	26- Nov-15
US20150335 657	Methods for Modulating Sirtuin Enzymes	Not Available	5- May-14	4- May-15	26- Nov-15
US20150329 866	NOVEL siRNAS AND METHODS OF USE THEREOF	Not Available	25- Oct-06	8- Jan-15	19- Nov-15
US20150329 834	METHODS OF PROPAGATING MONKEY ADENOVIRAL VECTORS	GenVec, Inc.	9- Nov-09	4- Aug-15	19- Nov-15
US20150328 282	METHODS FOR TREATING VIRAL DISORDERS	Not Available	24- Sep-09	5- Aug-15	19- Nov-15
US20150322 491	High density self-contained biological analysis	Not Available	15- Nov-06	16- Jul-15	12- Nov-15
US20150322 155	ACETYLENEDICARBOXYL LINKERS AND THEIR USES IN SPECIFIC CONJUGATION OF A CELL-BINDING MOLECULE	Robert Yongxin Zhao	15- Jul-15	15- Jul-15	12- Nov-15
US20150322 137	HUMAN ANTIBODY SPECIFIC TO HUMAN METAPNEUMOVIRUS, OR ANTIGEN-BINDING FRAGMENT THEREOF	Not Available	28- Jan-13	28- Jan-14	12- Nov-15
US20150322 022	THERAPEUTIC CATECHOLS	RUTGERS, THE STATE UNIVERSITY OF NEW JERSEY	12- May-14	11- May-15	12- Nov-15
US20150322 008	INDOLE CARBOXAMIDE DERIVATIVES AS P2X7 RECEPTOR ANTAGONIST	ACTELION PHARMACEUTICALS LTD	12- Dec-12	11- Dec-13	12- Nov-15
US20150320 842	A COMPOSITION FOR PREVENTING OR TREATING AN RNA VIRAL INFECTION COMPRISING SAMHD1 OR A NUCLEIC ACID MOLECULE ENCODING THE SAMHD1	SNU R&DB FOUNDATION	7- Jan-13	7- Jan-13	12- Nov-15
US20150320 801	USE OF ASC AND ASC-CM TO TREAT ARDS, SARS, AND MERS	Not Available	6- May-14	6- May-15	12- Nov-15
US20150315 612	ADENO-ASSOCIATED VIRUS (AAV) CLADES, SEQUENCES, VECTORS CONTAINING SAME, AND USES THEREFOR	Not Available	30- Sep-03	20- Jul-15	5- Nov-15

US20150315 574	PRODUCTION OF STABLE NON-POLYADENYLATED RNAS	Massachusetts Institute of Technology	16- Oct- 12	16- Oct- 13	5- Nov- 15
US20150314 017	DISULFUR BRIDGE LINKERS FOR CONJUGATION OF A CELL-BINDING MOLECULE	Dr. Robert Yongxin Zhao	15- Jul-15	15- Jul- 15	5- Nov- 15
US20150313 960	NOVEL DEPSIPEPTIDE AND USES THEREOF	Not Available	3- Dec- 12	1- Jul- 15	5- Nov- 15
US20150313 929	USE OF TYLVALOSIN AS ANTIVIRAL AGENT	CAMBRIDGE UNIVERSITY TECHNICAL SERVICES	13- Jul-06	8- Jun- 15	5- Nov- 15
US20150313 909	ANTIVIRAL COMPOUNDS AND METHODS	Biotron Limited	26- Jun- 03	6- Feb- 15	5- Nov- 15
US20150309 018	SYSTEM AND METHOD FOR ELECTRONIC BIOLOGICAL SAMPLE ANALYSIS	NANOMEDICAL DIAGNOSTICS, INC.	28- Apr- 14	28- Apr- 14	29- Oct- 15
US20150307 936	SYSTEM AND METHOD FOR DNA SEQUENCING AND BLOOD CHEMISTRY ANALYSIS	Nanomedical Diagnostics, Inc.	28- Apr- 14	10- Apr- 15	29- Oct- 15
US20150307 935	NON-MASS DETERMINED BASE COMPOSITIONS FOR NUCLEIC ACID DETECTION	Not Available	6- Aug- 09	13- Jul- 15	29- Oct- 15
US20150307 849	HIGHLY EFFICIENT INFLUENZA MATRIX (M1) PROTEINS	Not Available	11- Jul-03	23- Feb- 15	29- Oct- 15
US20150307 572	BIOACTIVE PEPTIDES AND METHODS OF USING SAME	Not Available	12- Jul-07	23- Feb- 15	29- Oct- 15
US20150307 530	NOVEL MUCOLYTIC AGENTS	PARION SCIENCES, INC.	31- Aug- 12	30- Aug- 13	29- Oct- 15
US20150306 213	HMGB1-DERIVED PEPTIDES ENHANCE IMMUNE RESPONSE TO ANTIGENS	The Regents of the University of California	27- Jul-10	9- Mar- 15	29- Oct- 15
US20150306 212	SYNTHETIC MEMBRANE-RECEIVER COMPLEXES	Not Available	18- Nov- 13	12- Jun- 15	29- Oct- 15
US20150306 205	VACCINE COMPOSITION FOR NAIVE SUBJECTS	Not Available	17- Dec- 12	17- Dec- 13	29- Oct- 15
US20150306 137	METHODS OF TREATING OR PREVENTING INFLAMMATION AND HYPERSENSITIVITY WITH OXIDATIVE REDUCTIVE POTENTIAL WATER SOLUTION	OCULUS INNOVATIVE SCIENCES, INC.	20- Jan- 06	7- Jul- 15	29- Oct- 15
US20150301 055	CIRCULATING BIOMARKERS FOR DISEASE	Not Available	6- Apr- 10	1- Jul- 15	22- Oct- 15
US20150299 728	TC-83-DERIVED ALPHAVIRUS VECTORS, PARTICLES AND METHODS	Not Available	18- May- 04	6- Jul- 15	22- Oct- 15
US20150299 707	CONSTRUCTION OF POOL OF INTERFERING NUCLEIC ACIDS COVERING ENTIRE RNA TARGET SEQUENCE AND RELATED COMPOSITIONS	BIOMICS BIOTECHNOLOGIES CO., LTD.	7-Jul-08	2- Jul- 15	22- Oct- 15
US20150299 667	INFLUENZA VIRUS AND TYPE 1 DIABETES	ISTITUTO ZOOPROFILATTICO SPERIMENTALE DELLE VENEZIE	10- Oct- 12	10- Oct- 13	22- Oct- 15
US20150299 271	TREATING CANCER WITH VIRAL NUCLEIC ACID	Not Available	20- Feb- 07	6- Jul- 15	22- Oct- 15
US20150299 194	4-AMINO-IMIDAZOQUINOLINE COMPOUNDS	HOFFMANN-LA ROCHE INC.	22- Apr- 14	22- Apr- 15	22- Oct- 15
US20150299 142	3,5-DIAMINO-6-CHLORO-N-(4-PHENYLBUTYL)CARBAMIMIDOYL) PYRAZINE-2-CARBOXAMIDE COMPOUNDS	PARION SCIENCES, INC.	17- Dec- 12	8- Jan- 15	22- Oct- 15
US20150297 700	Novel Adenovirus Vectors	Not Available	10- Apr- 07	27- Apr- 15	22- Oct- 15
US20150297 677	COMPOSITIONS AND METHODS FOR INHIBITING VIRAL ENTRY	Children Medical Center Corporation	13- Dec- 12	12- Dec- 13	22- Oct- 15
US20150297 668	ANALOGS OF C5a AND METHODS OF USING SAME	BOARD PF REGENTS OF THE UNIVERSITY OF NEBRASKA	29- Jun- 10	29- Jun- 11	22- Oct- 15
US20150291 609	MERTK-SPECIFIC PYRIMIDINE COMPOUNDS	Not Available	11- Apr- 14	3- Apr- 15	15- Oct- 15
US20150291 606	MERTK-SPECIFIC PYRROLOPYRIMIDINE COMPOUNDS	Not Available	11- Apr- 14	3- Apr- 15	15- Oct- 15
US20150291 605	MERTK-SPECIFIC PYRAZOLOPYRIMIDINE COMPOUNDS	Not Available	11- Apr- 14	3- Apr- 15	15- Oct- 15
US20150291 531	THERAPEUTIC HYDROXYQUINOLONES	RUTGERS, THE STATE UNIVERSITY OF NEW JERSEY	9- Nov- 12	8- Nov- 13	15- Oct- 15

US20150290 235	USE OF SMALL MOLECULE INHIBITORS/ACTIVATORS IN COMBINATION WITH (DEOXY)NUCLEOSIDE OR (DEOXY)NUCLEOTIDE ANALOGS FOR TREATMENT OF CANCER AND HEMATOLOGICAL MALIGNANCIES OR VIRAL INFECTIONS	Not Available	23- Nov- 12	8- Nov- 13	15- Oct- 15
US20150290 234	TARGETED INTRACELLULAR DELIVERY OF ANTIVIRAL AGENTS	Not Available	23- Mar- 07	21- Apr- 15	15- Oct- 15
US20150290 212	THERAPEUTIC USES OF SELECTED PYRAZOLOPYRIMIDINE COMPOUNDS WITH ANTI-MER TYROSINE KINASE ACTIVITY	Not Available	11- Apr- 14	3- Apr- 15	15- Oct- 15
US20150290 197	THERAPEUTIC USES OF SELECTED PYRROLOPYRIMIDINE COMPOUNDS WITH ANTI-MER TYROSINE KINASE ACTIVITY	Not Available	11- Apr- 14	3- Apr- 15	15- Oct- 15
US20150290 194	THERAPEUTIC USES OF SELECTED PYRIMIDINE COMPOUNDS WITH ANTI-MER TYROSINE KINASE ACTIVITY	Not Available	11- Apr- 14	3- Apr- 15	15- Oct- 15
US20150290 189	CHEMICALLY AND METABOLICALLY STABLE DIPEPTIDE POSSESSING POTENT SODIUM CHANNEL BLOCKER ACTIVITY	PARION SCIENCES, INC.	27- Jun- 11	12- Jan- 15	15- Oct- 15
US20150290 134	TECHNOLOGY FOR PREPARATION OF MACROMOLECULAR MICROSPHERES	Not Available	24- Jan- 06	21- Apr- 15	15- Oct- 15
US20150289 573	SELF SANITIZING FACE MASKS AND METHOD OF MANUFACTURE	Not Available	1- Jun- 07	1- Jun- 15	15- Oct- 15
US20150284 475	BISPECIFIC ANTIBODY	Not Available	21- Nov- 12	21- Nov- 12	8- Oct- 15
US20150284 451	COMPOSITIONS AND METHODS FOR INHIBITING PATHOGEN INFECTION	Not Available	29- Oct- 12	29- Oct- 13	8- Oct- 15
US20150284 416	NOVEL LINKERS FOR CONJUGATION OF CELL-BINDING MOLECULES	SUZHOU M-CONJ BIOTECH CO., LTD	16- Jun- 15	16- Jun- 15	8- Oct- 15
US20150283 531	Microspotting Device	Not Available	18- Apr- 12	17- Apr- 13	8- Oct- 15
US20150283 233	Compositions and Methods for Enhancing Immune Responses	Not Available	15- Jun- 12	17- Jun- 13	8- Oct- 15
US20150283 221	ATTENUATED LISTERIA MONOCYTOGENES MUTANT AS A VACCINE VECTOR FOR THE DELIVERY OF EXOGENEOUS ANTIGENS	The Board of Trustees of the University of Illinois	7- Apr- 14	7- Apr- 15	8- Oct- 15
US20150275 183	Human Betacoronavirus Lineage C and Identification of N-Terminal Dipeptidyl Peptidase As Its Virus Receptor	Not Available	23- Sep- 12	23- Sep- 13	1- Oct- 15
US20150274 698	Hydrazide Containing Nuclear Transport Modulators And Uses Thereof	Not Available	29- Jul-11	10- Jun- 15	1- Oct- 15
US20150272 988	INHALATION OF NITRIC OXIDE FOR TREATING RESPIRATORY DISEASES	Advanced Inhalation Therapies (AIT) Ltd.	7- Mar- 12	7- Mar- 13	1- Oct- 15
US20150267 245	PRESERVATION OF BIOLOGICAL MATERIALS IN NON-AQUEOUS FLUID MEDIA	GenTegra, LLC	14- Mar- 13	14- Mar- 14	24- Sep- 15
US20150267 202	ANTISENSE ANTIVIRAL COMPOUND AND METHOD FOR TREATING ss/RNA VIRAL INFECTION	Not Available	16- Sep- 04	6- Nov- 14	24- Sep- 15
US20150267 194	DOUBLE-STRANDED OLIGONUCLEOTIDE MOLECULES TO DDIT4 AND METHODS OF USE THEREOF	Quark Pharmaceutical, Inc.	12- Sep- 12	12- Sep- 13	24- Sep- 15
US20150266 929	VIRUS-LIKE PARTICLES, METHODS OF PREPARATION, AND IMMUNOGENIC COMPOSITIONS	Not Available	17- May- 02	4- May- 15	24- Sep- 15
US20150266 901	ALKYLOXY SUBSTITUTED THIAZOLOQUINOLINES AND THIAZOLONAPHTHYRIDINES	Not Available	9- Feb- 05	8- Jun- 15	24- Sep- 15
US20150266 882	PYRAZOLO[4,3-D]PYRIMIDINES AS KINASE INHIBITORS	Not Available	19- Oct- 12	18- Oct- 13	24- Sep- 15
US20150265 721	Compounds and Methods for Modulating an Immune Response	Not Available	23- Mar- 09	23- Dec- 14	24- Sep- 15
US20150265 697	HIGH-YIELD TRANSGENIC MAMMALIAN EXPRESSION SYSTEM FOR GENERATING VIRUS-LIKE PARTICLES	Academia Sinica	5- Sep- 06	11- Feb- 15	24- Sep- 15
US20150265 696	Compositions And Methods For Treating And Preventing Porcine Reproductive And Respiratory Syndrome	Not Available	24- Apr- 12	23- Feb- 15	24- Sep- 15
US20150259 427	GITR BINDING MOLECULES AND USES THEREFOR	Not Available	25- Mar- 05	23- Mar- 15	17- Sep- 15

US20150259 399	ANTIBODIES AND PROCESSES FOR PREPARING THE SAME	Not Available	16- May- 08	18- Mar- -15	17- Sep- -15
US20150259 340	NOVEL KINASE INHIBITORS	Not Available	19- Oct- 12	18- Oct- -13	17- Sep- -15
US20150259 292	HETEROCYCLIC MODULATORS OF LIPID SYNTHESIS	Not Available	8- Mar- 11	19- Mar- -15	17- Sep- -15
US20150258 191	ARRANGING INTERACTION AND BACK PRESSURE CHAMBERS FOR MICROFLUIDIZATION	Novartis AG	3- Dec- 09	13- Mar- -15	17- Sep- -15
US20150252 439	Methods and Compositions for Prostate Cancer Metastasis	Not Available	25- Mar- 11	20- May- -15	10- Sep- -15
US20150252 080	FUSION PROTEINS FOR PROMOTING AN IMMUNE RESPONSE, NUCLEIC ACIDS ENCODING SAME, AND METHODS OF MAKING AND USE THEREOF	Not Available	7- Sep- 12	9- Sep- -13	10- Sep- -15
US20150250 896	HYDROPHILIC LINKERS AND THEIR USES FOR CONJUGATION OF DRUGS TO A CELL BINDING MOLECULES	Hangzhou DAC Biotech Co., Ltd.	24- Nov- 12	24- Nov- -12	10- Sep- -15
US20150247 190	METHODS AND SYSTEMS FOR MICROFLUIDICS IMAGING AND ANALYSIS	Not Available	5- Oct- 12	4- Oct- -13	3- Sep- -15
US20150246 110	ADJUVANTED INFLUENZA VACCINES INCLUDING CYTOKINE-INDUCING AGENTS	Novartis AG	4- Nov- 05	14- May- -15	3- Sep- -15
US20150246 091	COMPOUNDS AND METHODS FOR PREVENTING OR TREATING A VIRAL INFECTION	Not Available	2- Nov- 07	15- May- -15	3- Sep- -15
US20150246 015	Esters of Short Chains Fatty Acids for Use in the Treatment of Immunogenic Disorders	Not Available	3- Oct- 12	3- Oct- -13	3- Sep- -15
US20150239 940	COMPOSITIONS AND METHODS FOR VIRUS INHIBITION	AUTOIMMUNE TECHNOLOGIES, LLC	4- Nov- 03	13- May- -15	27- Aug- -15
US20150239 875	SUBSTITUTED PYRIDONES AND PYRAZINONES AND THEIR USE AS INHIBITORS OF NEUTROPHIL ELASTASE ACTIVITY	Not Available	21- Feb- 14	12- Feb- -15	27- Aug- -15
US20150238 550	AAV Vectors Targeted to Oligodendrocytes	Not Available	28- Sep- 12	27- Sep- -13	27- Aug- -15
US20150238 489	HETEROCYCLYL CARBOXAMIDES FOR TREATING VIRAL DISEASES	Not Available	31- Aug- 12	30- Aug- -13	27- Aug- -15
US20150232 957	MODIFIED OLIGONUCLEOTIDES COMPRISING THIOL FUNCTIONS AND USE THEREOF FOR DETECTING NUCLEIC ACIDS	Not Available	4- Apr- 12	4- Apr- -13	20- Aug- -15
US20150232 881	CRISPR-RELATED METHODS AND COMPOSITIONS WITH GOVERNING gRNAS	EDITAS MEDICINE, INC.	7- Nov- 13	7- Nov- -14	20- Aug- -15
US20150232 878	Construct	Not Available	28- Mar- 06	20- Oct- -14	20- Aug- -15
US20150232 454	THERAPEUTIC HYDROXYPYRIDINONES, HYDROXYPYRIMIDINONES AND HYDROXYPYRIDAZINONES	RUTGERS, THE STATE UNIVERSITY OF NEW JERSEY	11- Sep- 12	11- Sep- -13	20- Aug- -15
US20150231 232	OUTER MEMBRANE VESICLES	Not Available	18- Sep- 12	18- Sep- -13	20- Aug- -15
US20150225 432	COMPOUNDS AND COMPOSITIONS AS TLR ACTIVITY MODULATORS	Novartis AG	2- Sep- 09	24- Apr- -15	13- Aug- -15
US20150218 162	SUBSTITUTED IMIDAZOQUINOLINES, IMIDAZOPYRIDINES, AND IMIDAZONAPHTHYRIDINES	Not Available	18- Jun- 04	13- Apr- -15	6- Aug- -15
US20150218 109	C-REL INHIBITORS AND USES THEREOF	Not Available	21- Sep- 12	19- Sep- -13	6- Aug- -15
US20150216 973	METHOD FOR THE INDUCTION OF AN IMMUNE RESPONSE	Not Available	8- Aug- 12	8- Aug- -13	6- Aug- -15
US20150211 006	CHIRAL CONTROL	Not Available	13- Jul- 12	12- Jul- 13	30- Jul- 15
US20150210 733	NUCLEIC ACID CHEMICAL MODIFICATIONS	Not Available	2- Mar- 09	22- Jan- -15	30- Jul- 15
US20150210 655	CERTAIN (2S)-N-[(1S)-1-CYANO-2-PHENYLETHYL]-1,4-OXAZEPANE-2-CARBOXAMIDES AS DIPEPTIDYL PEPTIDASE 1 INHIBITORS	ASTRAZENECA AB	24- Jan- 14	21- Jan- -15	30- Jul- 15
US20150203 847	CHEMICAL MODIFICATIONS OF MONOMERS AND OLIGONUCLEOTIDES WITH CYCLOADDITION	Not Available	23- Sep- 08	31- Dec- -14	23- Jul- 15



US20150203 816	MEANS AND METHODS FOR INFLUENCING THE STABILITY OF CELLS	Not Available	4- Dec- 09	26- Mar- 15	23- Jul- 15
US20150202 284	METHOD OF MAKING A VACCINE	The United States of America, as represented by the Secretary, Dept. of Health & Human Services	11- Oct- 08	20- Jan- 15	23- Jul- 15
US20150196 619	EV576 FOR USE IN THE TREATMENT OF VIRAL INFECTIONS OF THE RESPIRATORY TRACT	Not Available	8- Jan- 10	2- Jan- 15	16- Jul- 15
US20150196 578	COMBINATION THERAPY TREATMENT FOR VIRAL INFECTIONS	Not Available	14- Oct- 09	10- Dec- 14	16- Jul- 15
US20150196 032	ANTIVIRAL COMPOSITIONS	Long Island University	30- May- 07	19- Mar- 15	16- Jul- 15
US20150191 704	POXVIRUS-PLASMODIUM RECOMBINANTS, COMPOSITIONS CONTAINING SUCH RECOMBINANTS, USES THEREOF, AND METHODS OF MAKING AND USING SAME	Not Available	30- Dec- 13	19- Dec- 14	9- Jul- 15
US20150191 607	Anti-fouling Paints and Coatings	REACTIVE SURFACES, LTD	3-Jul- 03	4- Dec- 13	9- Jul- 15
US20150184 231	BIOAGENT DETECTION OLIGONUCLEOTIDES	Not Available	27- Dec- 11	27- Dec- 12	2- Jul- 15
US20150183 837	IMMUNOGENIC COMPOSITIONS AND METHODS OF USE THEREOF	Not Available	17- Dec- 07	13- Feb- 15	2- Jul- 15
US20150182 636	GENETICALLY MODIFIED HUMAN UMBILICAL CORD PERIVASCULAR CELLS FOR PROPHYLAXIS AGAINST OR TREATMENT OF BIOLOGICAL OR CHEMICAL AGENTS	Not Available	21- Apr- 08	13- Mar- 15	2- Jul- 15
US20150182 588	SYNTHETIC MEMBRANE-RECEIVER COMPLEXES	Not Available	18- Nov- 13	23- Dec- 14	2- Jul- 15
US20150176 027	ADENO-ASSOCIATED VIRUS (AAV) SEROTYPE 8 SEQUENCES, VECTORS CONTAINING SAME, AND USES THEREFOR	Not Available	17- Dec- 01	16- Jan- 15	25- Jun- 15
US20150175 656	CRYSTALLINE TRIPEPTIDE EPOXY KETONE PROTEASE INHIBITORS	Not Available	20- Mar- 09	5- Mar- 15	25- Jun- 15
US20150174 257	METHODS AND REAGENTS FOR EFFICIENT AND TARGETED GENE TRANSFER TO MONOCYTES AND MACROPHAGES	Not Available	29- Apr- 09	3- Mar- 15	25- Jun- 15
US20150174 206	USES OF INTERFERONS WITH ALTERED SPATIAL STRUCTURE	Not Available	28- Aug- 03	28- Jan- 15	25- Jun- 15
US20150174 198	GENE TRANSFER INTO AIRWAY EPITHELIAL STEM CELL BY USING LENTIVIRAL VECTOR PSEUDOTYPED WITH RNA VIRUS OR DNA VIRUS SPIKE PROTEIN	Not Available	28- Oct- 05	17- Nov- 14	25- Jun- 15
US20150174 158	INHALATION OF NITRIC OXIDE FOR TREATING RESPIRATORY DISEASES	Not Available	7- Mar- 12	7- Mar- 13	25- Jun- 15
US20150173 366	PHYSICAL ANTIMICROBIAL METHOD	NMS TECHNOLOGIES CO., LTD.	1- Aug- 12	16- Jul- 13	25- Jun- 15
US20150168 405	OLIGONUCLEOTIDE BASED ANALYTE DETECTION METHOD	Not Available	16- Feb- 10	24- Feb- 15	18- Jun- 15
US20150166 989	PARTICLE-NUCLEIC ACID CONJUGATES AND THERAPEUTIC USES RELATED THERETO	Not Available	25- Jun- 12	27- Feb- 13	18- Jun- 15
US20150166 966	REVERSE GENETICS METHODS FOR VIRUS RESCUE	Not Available	20- Oct- 09	1- Oct- 14	18- Jun- 15
US20150166 548	NOVEL COMPOUNDS	CHIESI FARMACEUTICI S.p.A.	16- Dec- 13	16- Dec- 14	18- Jun- 15
US20150166 532	HOST TARGETED INHIBITORS OF DENGUE VIRUS AND OTHER VIRUSES	Not Available	11- Apr- 12	15- Mar- 13	18- Jun- 15
US20150166 488	ARYLALKYL- AND ARYLOXYALKYL-SUBSTITUTED EPITHELIAL SODIUM CHANNEL BLOCKING COMPOUNDS	PARION SCIENCES, INC.	13- Dec- 13	19- Dec- 14	18- Jun- 15
US20150166 487	ARYLALKYL- AND ARYLOXYALKYL-SUBSTITUTED EPITHELIAL SODIUM CHANNEL BLOCKING COMPOUNDS	Parion Sciences, Inc.	13- Dec- 13	13- Dec- 13	18- Jun- 15
US20150165 019	Saccharide Conjugate Vaccines	Not Available	24- Dec- 04	5- Aug- 14	18- Jun- 15
US20150165 009	TLR5 LIGANDS, THERAPEUTIC METHODS, AND COMPOSITIONS RELATED THERETO	Emory University	24- Sep- 10	20- Sep- 11	18- Jun- 15

US20150164 800	REGULATING THE INTERACTION BETWEEN TAM LIGANDS AND LIPID MEMBRANES WITH EXPOSED PHOSPHATIDYL SERINE	Salk Institute For Biological Studies	25- Jul-12	23- Jul-13	18- Jun-15
US20150159 205	METHODS AND REAGENTS FOR AMPLIFYING NUCLEIC ACIDS	The United States of America, as represented by the Secretary, Department of Health and Human	6- Aug-12	6- Aug-12	11- Jun-15
US20150159 173	METHOD OF INCREASING THE FUNCTION OF AN AAV VECTOR	The Trustees of the University of Pennsylvania	7- Apr-05	18- Feb-15	11- Jun-15
US20150157 636	METHODS FOR TREATING VIRAL DISORDERS	Not Available	24- Sep-09	18- Feb-15	11- Jun-15
US20150152 149	Peptides Having Activity of Inhibiting Infections of Respiratory Viruses and Use of the Same	Not Available	9- May-13	21- Feb-14	4- Jun-15
US20150150 963	VACCINATION WITH INTERLEUKIN-4 ANTAGONISTS	THE AUSTRALIAN NATIONAL UNIVERSITY	5- Jun-12	5- Jun-13	4- Jun-15
US20150150 893	ANDROGRAPHOLIDE ANALOGS AND THEIR USE FOR MEDICATION	Not Available	18- Jun-12	31- May-13	4- Jun-15
US20150150 878	Methods For Inhibiting Viruses By Targeting Cathepsin-L Cleavage Sites In The Viruses' Glycoproteins	Not Available	4- Apr-12	4- Apr-13	4- Jun-15
US20150148 402	MODIFIED SMALL INTERFERING RNA MOLECULES AND METHODS OF USE	NOVARTIS AG	1- Oct-04	9- May-14	28- May-15
US20150147 346	REPLIKIN SEQUENCES AND THEIR ANTIBODIES FOR DIAGNOSTICS, THERAPEUTICS, AND VACCINES AGAINST PRION AND NEURODEGENERATIVE DISORDERS INCLUDING ALZHEIMER'S DISEASE	Not Available	2- May-12	1- May-13	28- May-15
US20150141 625	IMMUNE RESPONSE MODIFIER CONJUGATES	Not Available	22- Feb-06	20- Jan-15	21- May-15
US20150141 387	PHARMACEUTICAL PRODUCT COMPRISING A P38 KINASE INHIBITOR AND A SECOND ACTIVE INGREDIENT	Not Available	18- Dec-08	14- Jan-15	21- May-15
US20150140 121	Compositions and Methods for Tight Junction Modulation	Not Available	8- Jun-12	10- Jun-13	21- May-15
US20150139 949	ANTI-VIRAL COMBINATION THERAPY	Not Available	6- Apr-11	19- May-14	21- May-15
US20150133 633	MODIFICATION OF PEPTIDES USING A BIS(THIOETHER)ARYLBRIDGE APPROACH	Not Available	18- May-12	17- May-13	14- May-15
US20150133 402	BORON-CONTAINING SMALL MOLECULES	Not Available	20- Jun-07	7- Nov-14	14- May-15
US20150133 391	CELL-FREE NUCLEIC ACIDS FOR THE ANALYSIS OF THE HUMAN MICROBIOME AND COMPONENTS THEREOF	Not Available	7- Nov-13	7- Nov-14	14- May-15
US20150132 339	ADJUVANTED FORMULATIONS OF STREPTOCOCCUS PNEUMONIAE ANTIGENS	Not Available	7- Mar-12	7- Mar-13	14- May-15
US20150132 337	COMBINATION GAS VACCINES AND THERAPEUTICS	Not Available	17- Sep-08	13- Nov-14	14- May-15
US20150132 220	Compositions and Imaging Methods Comprising Detectably Labeled Phosphatidylethanolamine-Binding Peptides	Not Available	15- Jul-02	8- Jan-15	14- May-15
US20150126 722	OLIGONUCLEOTIDE COMPOUND AND METHOD FOR TREATING NIDOVIRUS INFECTIONS	Not Available	24- Dec-03	4- Jun-14	7- May-15
US20150125 540	RELEASE OF AGENTS FROM CELLS	Not Available	15- Oct-09	5- Jan-15	7- May-15
US20150125 502	DISINFECTING COMPOSITION AND WIPES WITH REDUCED CONTACT TIME	Not Available	6- Nov-13	4- Nov-14	7- May-15
US20150125 483	FUSION PROTEINS OF CILIATE GRANULE LATTICE PROTEINS, GRANULAR PROTEIN PARTICLES THEREOF, AND USES THEREFOR	Tetragenetics, Inc.	27- May-11	29- May-12	7- May-15
US20150125 475	IMMUNOLOGICALLY USEFUL ARGININE SALTS	Not Available	7- Mar-12	7- Mar-13	7- May-15
US20150125 384	MODULAR NANODEVICES FOR SMART ADAPTABLE VACCINES	Not Available	15- Feb-07	10- Nov-14	7- May-15
US20150119 445	Carbohydrate Conjugates as Delivery Agents for Oligonucleotides	Not Available	4- Dec-07	22- Jul-14	30- Apr-15
US20150119 444	Carbohydrate Conjugates as Delivery Agents for Oligonucleotides	Not Available	4- Dec-07	11- Jul-14	30- Apr-15

US20150119 426	MODULATORS OF THE RELAXIN RECEPTOR 1	Not Available	4- May- 12	15- Mar- 13	30- Apr- 15
US20150119 364	BORON-CONTAINING SMALL MOLECULES	Not Available	16- Feb- 05	10- Nov- 14	30- Apr- 15
US20150119 318	PEPTIDE COMPOSITIONS AND METHODS FOR INHIBITING HERPESVIRUS INFECTION	THE ADMINISTRATORS OF THE TULANE EDUCATIONAL FUND	30- Oct- 09	9- Jul- 14	30- Apr- 15
US20150118 746	INFLUENZA VIRUS REASSORTMENT METHOD	Not Available	21- May- 10	24- Oct- 14	30- Apr- 15
US20150118 319	PROTEOLYSIS-RESISTANT CAPSID OF CHIMERIC HEPATITIS E VIRUS AS AN ORAL DELIVERY VECTOR	Not Available	27- Feb- 09	5- Nov- 14	30- Apr- 15
US20150118 265	MODIFIED ERYTHROCYTE PRECURSOR CELLS AND USES THEREOF	Anthrogenesis Corporation	13- Mar- 12	12- Mar- 13	30- Apr- 15
US20150118 264	PHARMACEUTICAL COMPOSITION COMPRISING A POLYMERIC CARRIER CARGO COMPLEX AND AT LEAST ONE PROTEIN OR PEPTIDE ANTIGEN	CureVac GMBH	31- Jan- 12	31- Jan- 13	30- Apr- 15
US20150118 222	TREATMENT USING BRUTON'S TYROSINE KINASE INHIBITORS AND IMMUNOTHERAPY	Not Available	25- Oct- 13	24- Oct- 14	30- Apr- 15
US20150118 201	Directed Evolution and In Vitro Panning of Virus Vectors	Not Available	30- Apr- 08	22- Oct- 14	30- Apr- 15
US20150118 183	NEGATIVELY CHARGED NUCLEIC ACID COMPRISING COMPLEXES FOR IMMUNOSTIMULATION	CUREVAC GMBH	31- Jan- 12	31- Jan- 13	30- Apr- 15
US20150111 955	AAV VECTOR COMPOSITIONS AND METHODS FOR GENE TRANSFER TO CELLS, ORGANS AND TISSUES	Not Available	17- Feb- 12	19- Feb- 13	23- Apr- 15
US20150111 945	COMPOSITIONS AND METHODS FOR SILENCING EBOLA VIRUS GENE EXPRESSION	Not Available	20- Jul-09	28- Mar- 14	23- Apr- 15
US20150111 893	Nuclear Transport Modulators and Uses Thereof	Not Available	9- May- 12	9- May- 13	23- Apr- 15
US20150110 807	HDC-SIGN BINDING PEPTIDES	Sloan-Kettering Institute for Cancer Research	19- Dec- 11	10- Dec- 12	23- Apr- 15
US20150105 375	METHODS FOR TREATING PULMONARY EMPHYSEMA USING SUBSTITUTED 2-AZA-BICYCLO[2.2.1]HEPTANE-3-CARBOXYLIC ACID (BENZYL-CYANO-METHYL)-AMIDES INHIBITORS OF CATHEPSIN C	Not Available	14- Mar- 13	18- Dec- 14	16- Apr- 15
US20150104 867	ANIMAL PROTEIN-FREE MEDIA FOR CULTIVATION OF CELLS	Baxter Healthcare SA	29- Oct- 04	2- May- 14	16- Apr- 15
US20150104 500	Methods and Compositions for Preventing a Condition	Not Available	9- Aug- 10	28- Aug- 14	16- Apr- 15
US20150099 770	CARBOXYLIC ACID COMPOUNDS	Not Available	18- May- 12	17- May- 13	9- Apr- 15
US20150099 769	PYRROLO[3,2-D]PYRIMIDIN-4-ONE DERIVATIVES AND THEIR USE IN THERAPY	Not Available	6- Dec- 04	15- Sep- 14	9- Apr- 15
US20150099 764	DENDRIMER LIKE AMINO AMIDES POSSESSING SODIUM CHANNEL BLOCKER ACTIVITY FOR THE TREATMENT OF DRY EYE AND OTHER MUCOSAL DISEASES	PARION SCIENCES, INC.	29- May- 12	9- Dec- 14	9- Apr- 15
US20150099 656	Multiplex Immuno Screening Assay	Not Available	4- May- 12	3- May- 13	9- Apr- 15
US20150099 263	SELECTIVE DETECTION OF HUMAN RHINOVIRUS	Not Available	5- Dec- 08	15- Dec- 14	9- Apr- 15
US20150099 261	RESPIRATORY INFECTION ASSAY	Not Available	9- Dec- 11	10- Dec- 12	9- Apr- 15
US20150093 413	NUCLEIC ACID COMPRISING OR CODING FOR A HISTONE STEM-LOOP AND A POLY(A) SEQUENCE OR A POLYADENYLATION SIGNAL FOR INCREASING THE EXPRESSION OF AN ENCODED PATHOGENIC ANTIGEN	CureVac GmbH	15- Feb- 12	15- Feb- 13	2- Apr- 15
US20150086 576	SORTASE-MODIFIED VHH DOMAINS AND USES THEREOF	Not Available	13- Apr- 12	15- Apr- 13	26- Mar- 15
US20150080 447	Sceletium Extract and Uses Thereof	H. L. Hall & Sons Limited	20- Mar- 09	15- Jul- 14	19- Mar- 15
US20150080 396	Novel Pyrimidine Derivatives and Their Use in the Treatment of Cancer and Further Diseases	ASTRAZENECA AB	21- May- 09	26- Aug- 14	19- Mar- 15

US20150080344	PHOSPHONATES WITH REDUCED TOXICITY FOR TREATMENT OF VIRAL INFECTIONS	Not Available	14-Apr-10	29-Sep-14	19-Mar-15
US20150080319	Inhibition Of Tace Activity With Cyclic Peptides	Not Available	2-Jun-11	19-Sep-14	19-Mar-15
US20150079155	Cationic Liposomal Drug Delivery System for Specific Targeting of Human CD14+ Monocytes in Whole Blood	Not Available	14-Mar-12	14-Mar-13	19-Mar-15
US20150079121	Human Respiratory Syncytial Virus Consensus Antigens, Nucleic Acid Constructs And Vaccines Made Therefrom, And Methods Of Using Same	Not Available	10-Apr-12	10-Apr-13	19-Mar-15
US20150073136	PYRAZINONE DERIVATIVES	Not Available	27-Jun-07	17-Nov-14	12-Mar-15
US20150072973	NOVEL SELECTIVE INHIBITORS OF UBIQUITIN SPECIFIC PROTEASE 7, THE PHARMACEUTICAL COMPOSITIONS THEREOF AND THEIR THERAPEUTIC APPLICATIONS	Not Available	13-Aug-10	17-Sep-14	12-Mar-15
US20150072023	INHALATION OF NITRIC OXIDE FOR TREATING RESPIRATORY DISEASES	Not Available	11-Sep-13	11-Sep-14	12-Mar-15
US20150065459	BORON-CONTAINING SMALL MOLECULES	Not Available	16-Feb-05	10-Nov-14	5-Mar-15
US20150065458	Composition for Inactivating an Enveloped Virus	Not Available	19-May-06	17-Nov-14	5-Mar-15
US20150064137	USE OF ENGINEERED VIRUSES TO SPECIFICALLY KILL SENESCENT CELLS	Kythera Biopharmaceuticals, Inc.	17-Apr-12	16-Apr-13	5-Mar-15
US20150056636	Transgenic Immunodeficient Mouse Expressing Human SIRP-alpha	Not Available	26-Mar-12	26-Mar-13	26-Feb-15
US20150056305	DITHIOL MUCOLYTIC AGENTS	PARION SCIENCES, INC.	23-Aug-13	13-Aug-14	26-Feb-15
US20150051206	COMPOUNDS AND COMPOSITIONS AS C-KIT KINASE INHIBITORS	IRM LLC	1-Sep-11	29-Aug-12	19-Feb-15
US20150050713	Technology for the Preparation of Microparticles	Not Available	24-Jul-07	25-Jul-14	19-Feb-15
US20150050308	CORONAVIRUS, NUCLEIC ACID, PROTEIN, AND METHODS FOR THE GENERATION OF VACCINE, MEDICAMENTS AND DIAGNOSTICS	Not Available	18-Aug-03	13-Aug-14	19-Feb-15
US20150050278	SOLUBLE ENGINEERED MONOMERIC FC	Not Available	16-Mar-12	14-Mar-13	19-Feb-15
US20150045412	USE OF THE CHROMOSOME 19 MICRORNA CLUSTER (C19MC) FOR TREATING MICROBIAL DISEASE AND PROMOTING AUTHOPHAGY	Not Available	7-Mar-12	6-Mar-13	12-Feb-15
US20150044768	METHODS AND COMPOSITIONS FOR PRODUCTION OF RECOMBINANT PROTEIN IN HBX-EXPRESSING MAMMALIAN CELLS	Not Available	28-May-08	24-Oct-14	12-Feb-15
US20150044305	INHALATION OF NITRIC OXIDE FOR TREATING RESPIRATORY DISEASES	Not Available	7-Mar-12	7-Mar-13	12-Feb-15
US20150044279	METHODS AND COMPOSITIONS FOR ENHANCING IMMUNE RESPONSE	Not Available	10-Apr-03	6-Oct-14	12-Feb-15
US20150037288	METHODS FOR INCREASING THE INFECTIVITY OF VIRUSES	Not Available	26-Jan-12	25-Jan-13	5-Feb-15
US20150037281	VARIANTS OF PROTHYMOSIN ALPHA AND METHODS OF USING SAME	Icahn School of Medicine at Mount Sinai	2-Mar-12	1-Mar-13	5-Feb-15
US20150034084	INHALATION OF NITRIC OXIDE FOR TREATING RESPIRATORY DISEASES	Advanced Inhalation Therapies (AIT) Ltd.	7-Mar-12	7-Mar-13	5-Feb-15
US20150031038	SAMPLE PREPARATION METHODS	Not Available	6-Sep-11	6-Sep-12	29-Jan-15
US20150031016	Mixed Cell Diagnostic Systems For Detection Of Respiratory, Herpes and Enteric Viruses	Diagnostic Hybrids Inc.	24-Apr-98	4-Aug-14	29-Jan-15
US20150031014	DETECTING ANALYTES WITH A PH METER	The Board of Trustees of the University of Illinois	25-Jul-13	25-Jul-14	29-Jan-15
US20150030627	Trans-complementing, replication deficient lentiviral vectors and methods for making and using them	VIRxSYS.CON390	17-Aug-06	8-Oct-14	29-Jan-15
US20150030626	IMMUNOMODULATORY CONJUGATES	Ascend Biopharmaceuticals Ltd	9-Nov-11	9-Nov-12	29-Jan-15

US20150030 625	GAS57 MUTANT ANTIGENS AND GAS57 ANTIBODIES	Not Available	12- Sep- 07	13- Oct- -14	29- Jan- 15
US20150030 607	INFLUENZA HEMAGGLUTININ-SPECIFIC MONOCLONAL ANTIBODIES FOR PREVENTING AND TREATING INFLUENZA VIRUS INFECTION	Not Available	20- Oct- 10	9- Oct- -14	29- Jan- 15
US20150025 075	HETEROCYCLIC AMIDE DERIVATIVES AS P2X7 RECEPTOR ANTAGONISTS	ACTELION PHARMACEUTICALS LTD.	20- Jan- 12	18- Jan- -13	22- Jan- 15
US20150024 415	DETECTION AND QUANTIFICATION OF ANALYTES BASED ON SIGNAL INDUCED BY ALKALINE PHOSPHATE	The Board of Trustees of the University of Illinois	16- Feb- 12	19- Feb- -13	22- Jan- 15
US20150024 405	ENHANCED DEPOSITION OF CHROMOGENS UTILIZING PYRIMIDINE ANALOGS	Ventana Medical Systems, Inc.	30- Dec- 10	6- Oct- -14	22- Jan- 15
US20150024 002	ALPHAVIRUS VECTORS FOR RESPIRATORY PATHOGEN VACCINES	Not Available	21- May- 04	20- Aug- -14	22- Jan- 15
US20150023 990	ALKOXY SUBSTITUTED IMIDAZOQUINOLINES	3M INNOVATIVE PROPERTIES COMPANY	3- Oct- 03	30- Sep- -14	22- Jan- 15
US20150023 924	VARIANT AAV AND COMPOSITIONS, METHODS AND USES FOR GENE TRANSFER TO CELLS, ORGANS AND TISSUES	Not Available	22- Jul-13	22- Jul- 14	22- Jan- 15
US20150023 921	HEPATITIS C ANTIVIRAL COMPOSITIONS AND METHODS	BIOTRON LIMITED	3- Aug- 07	3- Apr- -14	22- Jan- 15
US20150023 879	DIAGNOSTIC CHEWING GUM FOR PATHOGENS	Julius-Maximilians-Universitaet Wuerzburg	8- Mar- 12	8- Mar- -13	22- Jan- 15
US20150021 204	AMPEROMETRIC GAS SENSOR	Not Available	25- Jun- 12	30- Sep- -14	22- Jan- 15
US20150021 203	AMPEROMETRIC GAS SENSOR	Not Available	25- Jun- 12	30- Sep- -14	22- Jan- 15
US20150018 396	PREVENTION AND TREATMENT OF RESPIRATORY INFECTION WITH PEROXISOME PROLIFERATOR ACTIVATOR RECEPTOR DELTA AGONIST	Not Available	8- Mar- 12	3- Mar- -13	15- Jan- 15
US20150018 332	Nuclear Transport Modulators and Uses Thereof	KARYOPHARM THERAPEUTICS INC.	29- Jul-11	26- Jul- 12	15- Jan- 15
US20150017 251	MICROPARTICLES FOR USE IN IMMUNOGENIC COMPOSITIONS	NOVARTIS AG	6- Aug- 08	18- Jul- 14	15- Jan- 15
US20150011 615	Carbohydrate Conjugates as Delivery Agents for Oligonucleotides	Not Available	4- Dec- 07	11- Jul- 14	8- Jan- 15
US20150011 508	COMPOUNDS AND COMPOSITIONS AS C-KIT KINASE INHIBITORS	IRM LLC	1- Sep- 11	28- Aug- -12	8- Jan- 15
US20150010 983	COMPOSITIONS, METHODS AND USES FOR INDUCING VIRAL GROWTH	Not Available	5- Dec- 08	19- Sep- -14	8- Jan- 15
US20150005 227	METHOD OF TREATING AN ISCHEMIA-REPERFUSION INJURY-RELATED DISORDER BY ADMINISTERING GPCR LIGANDS	Not Available	18- Sep- 06	7- Sep- -14	1- Jan- 15
US20150004 188	COMPOSITIONS, COMPRISING IMPROVED IL-12 GENETIC CONSTRUCTS AND VACCINES, IMMUNOTHERAPEUTICS AND METHODS OF USING THE SAME	Not Available	12- Dec- 11	11- Dec- -12	1- Jan- 15
US20140364 492	PHORBOL TYPE DITERPENE COMPOUND, PHARMACEUTICAL COMPOSITION FOR TREATMENT OR PREVENTION OF VIRAL INFECTIOUS DISEASES INCLUDING SAME	KOREA RESEARCH INSTITUTE OF BIOSCIENCE AND BIOTECHNOLOGY	26- Oct- 11	28- Sep- -12	11- Dec- -14
US20140364 408	Hydrazide Containing Nuclear Transport Modulators And Uses Thereof	KARYOPHARM THERAPEUTICS INC.	29- Jul-11	29- Jul- 12	11- Dec- -14
US20140364 358	Method for Preventing and Treating Hyperpermeability	Apeptico Forschung UND Entwicklung GMBH	5- Mar- 09	7- Mar- -14	11- Dec- -14
US20140363 465	MYCOBACTERIAL VACCINE VECTORS AND METHODS OF USING THE SAME	Beth Israel Deaconess Medical Center, Inc.	4- Apr- 11	4- Apr- -12	11- Dec- -14
US20140363 422	METHOD OF PROVIDING MONOCLONAL AUTO-ANTIBODIES WITH DESIRED SPECIFICITY	Not Available	28- Dec- 11	2- Jan- -13	11- Dec- -14
US20140357 673	Deubiquitinase Inhibitors and Methods for Use of the Same	Not Available	24- Sep- 10	31- Jul- 14	4- Dec- -14
US20140356 390	MODULATION OF REPLICATIVE FITNESS BY DEOPTIMIZATION OF SYNONYMOUS CODONS	The Government of the United States of America as represented by the Secretary of the Department of	8- Oct- 04	20- Aug- -14	4- Dec- -14
US20140349 375	METHYLSULFONYLMETHANE (MSM) TO MODULATE MICROBIAL ACTIVITY	Biogenic Innovations, LLC	30- Oct- 09	12- Aug- -14	27- Nov- -14

US20140349 295	METHOD FOR DETECTING TARGET NUCLEIC ACID	Not Available	31- Oct- 11	25- Oct- 12	27- Nov- 14
US20140349 276	SIGNAL PROPAGATION BIOMOLECULES, DEVICES AND METHODS	STC.UNM	21- May- 13	21- May- 14	27- Nov- 14
US20140348 906	IMMUNOSTIMULATORY COMPOSITIONS COMPRISING LIPOSOME- ENCAPSULATED OLIGONUCLEOTIDES AND EPITOPES	Not Available	17- Jul-09	13- Aug- 14	27- Nov- 14
US20140348 791	MODIFIED ADENOVIRAL VECTORS AND METHODS OF TREATMENT USING SAME	Beth Israel Deaconess Medical Center, Inc.	9- Sep- 11	7- Sep- 12	27- Nov- 14
US20140348 785	NEUTRALIZING GP41 ANTIBODIES AND THEIR USE	Not Available	7- Nov- 11	7- Nov- 12	27- Nov- 14
US20140348 781	CONJUGATES OF GM-CSF AND IL-9, COMPOSITIONS AND METHODS RELATED THERETO	CHILDREN'S HEALTHCARE OF ATLANTA, INC	22- May- 13	20- May- 14	27- Nov- 14
US20140342 941	METHOD FOR USING PERMUTED NUCLEIC ACID PROBES	Ventana Medical Systems, Inc.	1- Sep- 06	5- Aug- 14	20- Nov- 14
US20140342 407	NEUTRALIZING GP41 ANTIBODIES AND THEIR USE	The United States of America, as represented by the Secretary, Department of Health and Human Serv	7- Nov- 11	4- Aug- 14	20- Nov- 14
US20140336 245	VIRUS VECTORS FOR HIGHLY EFFICIENT TRANSGENE DELIVERY	Not Available	22- Nov- 11	21- Nov- 12	13- Nov- 14
US20140335 618	TAL EFFECTOR-MEDIATED DNA MODIFICATION	Iowa State University Research Foundation, Inc.	10- Dec- 09	14- Apr- 14	13- Nov- 14
US20140335 592	TAL EFFECTOR-MEDIATED DNA MODIFICATION	Iowa State University Research Foundation, Inc.	10- Dec- 09	24- Feb- 14	13- Nov- 14
US20140335 117	Identification and Attenuation of the Immunosuppressive Domains in Fusion Proteins of Enveloped RNA Viruses	Not Available	7- Oct- 11	5- Oct- 12	13- Nov- 14
US20140335 111	VACCINES AND IMMUNOTHERAPEUTICS USING IL-28 AND COMPOSITIONS AND METHODS OF USING THE SAME	The Trustees of the University of Pennsylvania	4- Apr- 08	28- Apr- 14	13- Nov- 14
US20140335 104	Methods of Detecting Cells with a Disrupted Cell Membrane, Cells Infected with A Pathogen, Dying Cells or Dead Cells	Not Available	13- May- 08	14- Apr- 14	13- Nov- 14
US20140329 889	CYCLIC DI-NUCLEOTIDE INDUCTION OF TYPE I INTERFERON	Not Available	3- May- 13	2- May- 14	6- Nov- 14
US20140329 878	OLIGONUCLEOTIDE MODULATORS OF THE TOLL-LIKE RECEPTOR PATHWAY	Not Available	3- Mar- 11	1- Mar- 12	6- Nov- 14
US20140329 817	MYXOVIRUS THERAPEUTICS, COMPOUNDS, AND USES RELATED THERETO	CHILDREN'S HEALTHCARE OF ATLANTA, INC.	24- Oct- 11	24- Oct- 12	6- Nov- 14
US20140328 946	ANTIMICROBIAL SOLUTIONS CONTAINING DICHLORIDE MONOXIDE AND METHODS OF MAKING AND USING THE SAME	Not Available	13- Mar- 07	21- Jul- 14	6- Nov- 14
US20140328 874	SAMPLE QUANTIFICATION BY DISC CENTRIFUGATION	Not Available	19- Oct- 11	19- Oct- 12	6- Nov- 14
US20140323 556	SCALABLE MANUFACTURING PROCESS TO PRODUCE RECOMBINANT LENTIVIRAL VECTORS IN SERUM-FREE SUSPENSION CELL CULTURE SYSTEM	Not Available	15- Mar- 13	17- Mar- 14	30- Oct- 14
US20140323 392	METHODS AND COMPOSITIONS RELATED TO INHIBITION OF VIRAL ENTRY	UNIVERSITY OF UTAH RESEARCH FOUNDATION	28- Mar- 11	28- Mar- 12	30- Oct- 14
US20140323 390	COMPOUNDS AND COMPOSITIONS AS TLR2 AGONISTS	IRM LLC	23- Mar- 10	9- Jul- 14	30- Oct- 14
US20140322 355	HETEROCYCLIC MODULATORS OF LIPID SYNTHESIS	3-V BIOSCIENCES, INC.	8- Mar- 11	25- Jun- 14	30- Oct- 14
US20140317 766	ANTIBODY PRODUCING NON-HUMAN MAMMALS	Not Available	27- Jun- 08	29- Apr- 14	23- Oct- 14
US20140315 982	DOUBLE-STRANDED NUCLEIC ACID MOLECULE FOR GENE EXPRESSION CONTROL	Osaka City University	2- Nov- 11	1- Nov- 12	23- Oct- 14
US20140315 215	THERMOSTABLE ASSAY REAGENTS	The Secretary of State for Health	14- Sep- 11	14- Sep- 12	23- Oct- 14
US20140314 858	IPNV-ISAV BIVALENT VACCINE USING A VIRUS-LIKE PARTICLE- BASED PLATFORM AND METHODS OF USING THE SAME	Advanced BioNutrition Corporation	9- Sep- 11	7- Sep- 12	23- Oct- 14
US20140314 839	CONTROLLED-RELEASE PEPTIDE COMPOSITIONS AND USES THEREOF	Not Available	2- Dec- 11	30- Nov- 12	23- Oct- 14
US20140314 809	MALARIA ANTIGEN SCREENING METHOD	Not Available	19- Apr- 13	19- Apr- 13	23- Oct- 14

US20140314 797	YEAST STRAIN FOR THE PRODUCTION OF PROTEINS WITH TERMINAL ALPHA-1,3-LINKED GALACTOSE	Not Available	30- May- 08	2- Jul- 14	23- Oct- 14
US20140314 755	ANTIBODY PRODUCING NON-HUMAN MAMMALS	Not Available	27- Jun- 08	30- Apr- 14	23- Oct- 14
US20140314 739	Vaccine adjuvant composition comprising inulin particles	Vaxine Pty Ltd.	18- Jun- 11	19- Jun- 12	23- Oct- 14
US20140309 189	HIGHLY ACTIVE NUCLEOSIDE DERIVATIVE FOR THE TREATMENT OF HCV	Achillion Pharmaceuticals, Inc.	12- Apr- 13	14- Apr- 14	16- Oct- 14
US20140309 164	DEUTERATED NUCLEOSIDE PRODRUGS USEFUL FOR TREATING HCV	Achillion Pharmaceuticals, Inc.	12- Apr- 13	14- Apr- 14	16- Oct- 14
US20140308 379	USE OF FLAXSEED AND FLAXSEED DERIVATIVES FOR TREATMENT OF NEUROLOGICAL DISORDERS AND VIRAL DISEASES	The Trustees of the University of Pennsylvania	20- Nov- 12	19- Nov- 13	16- Oct- 14
US20140308 313	COMPOSITIONS AND METHODS FOR IMMUNISATION USING CD1D LIGANDS	Not Available	15- Mar- 06	26- Jun- 14	16- Oct- 14
US20140308 211	MUTANT PROTEASE BIOSENSORS WITH ENHANCED DETECTION CHARACTERISTICS	Not Available	11- May- 10	5- May- 14	16- Oct- 14
US20140303 232	LIPIDS AND LIPID COMPOSITIONS FOR THE DELIVERY OF ACTIVE AGENTS	NOVARTIS AG	8- Mar- 13	7- Mar- 14	9- Oct- 14
US20140303 071	CYCLIC ANTIMICROBIAL PEPTIDES	Not Available	22- Dec- 05	20- Jun- 14	9- Oct- 14
US20140302 124	Cytotoxic T Lymphocyte Inducing Immunogens For Prevention Treatment and Diagnosis of INFLUENZA VIRUS INFECTION	Immunotape, Inc.	19- Oct- 11	18- Oct- 12	9- Oct- 14
US20140302 120	CONJUGATES OF SYNTHETIC TLR AGONISTS AND USES THEREFOR	Not Available	7- Feb- 07	19- Jun- 14	9- Oct- 14
US20140302 091	METHODS AND COMPOSITIONS FOR LIVE ATTENUATED VIRUSES	Not Available	6- Apr- 07	18- Nov- 11	9- Oct- 14
US20140302 077	LIVE ATTENUATED INFLUENZA VIRUS	Westfaelische Wilhelms-Universitaet Munester	2- Sep- 11	28- Aug- 12	9- Oct- 14
US20140298 500	MUTANT PROTEASE BIOSENSORS WITH ENHANCED DETECTION CHARACTERISTICS	Not Available	11- May- 10	5- May- 14	2- Oct- 14
US20140296 179	NUTRITIONAL COMPOSITION COMPRISING IMMUNOGLOBULINS AND OLIGOSACCHARIDES	N.V. NUTRICIA	24- Aug- 04	5- Mar- 14	2- Oct- 14
US20140295 404	SAMPLE FIXATION AND STABILISATION	Not Available	1- Mar- 13	28- Feb- 14	2- Oct- 14
US20140294 828	ALPHABODIES SPECIFICALLY BINDING TO VIRAL PROTEINS AND METHODS FOR PRODUCING THE SAME	COMPLIX SA	6- Jan- 11	6- Jan- 11	2- Oct- 14
US20140294 765	LSR ANTIBODIES, AND USES THEREOF FOR TREATMENT OF CANCER	COMPUGEN LTD.	21- Jun- 12	19- Jun- 13	2- Oct- 14
US20140294 727	PEPTIDES FOR ASSISTING DELIVERY ACROSS THE BLOOD BRAIN BARRIER	Children's Medical Center Corporation	22- May- 06	30- Apr- 14	2- Oct- 14
US20140294 670	TRANSPORTABLE VACUUM ASSISTED DECONTAMINATION UNIT AND DECONTAMINATION PROCESS	STERIS Inc.	1- Apr- 13	31- Mar- 14	2- Oct- 14
US20140287 987	METHODS AND COMPOSITIONS FOR THE TREATMENT OF CANCER OR OTHER DISEASES	CITY OF HOPE	26- Jan- 07	9- Jun- 14	25- Sep- 14
US20140286 988	HYDRAZINO 1H-IMIDAZOQUINOLIN-4-AMINES AND CONJUGATES MADE THEREFROM	3M Innovative Properties Company	3- Jun- 11	1- Jun- 12	25- Sep- 14
US20140283 945	LOADING VIALS	BioFire Diagnostics, LLC	10- Nov- 11	9- Nov- 12	25- Sep- 14
US20140275 237	BERAPROST ISOMER AS AN AGENT FOR THE TREATMENT OF VIRAL INFECTION	Gemmus Pharma Inc.	15- Mar- 13	12- Mar- 14	18- Sep- 14
US20140275 159	SUBSTITUTED 2-AZA-BICYCLO[2.2.2]OCTANE-3-CARBOXYLIC ACID (BENZYL-CYANO-METHYL)-AMIDES INHIBITORS OF CATHEPSIN C	BOEHRINGER INGELHEIM INTERNATIONAL GMBH	14- Mar- 13	12- Mar- 14	18- Sep- 14
US20140275 155	SUBSTITUTED BICYCLIC 1-CARBOXYLIC-ACID (BENZYL-CYANO-METHYL)-AMIDES INHIBITORS OF CATHEPSIN C	BOEHRINGER INGELHEIM INTERNATIONAL GMBH	14- Mar- 13	12- Mar- 14	18- Sep- 14
US20140275 114	SUBSTITUTED 2-AZA-BICYCLO[2.2.1]HEPTANE-3-CARBOXYLIC ACID (CYANO-METHYL)-AMIDES INHIBITORS OF CATHEPSIN C	BOEHRINGER INGELHEIM INTERNATIONAL GMBH	14- Mar- 13	12- Mar- 14	18- Sep- 14



US20140275 037	SULFONYL SEMICARBAZIDES, SEMICARBAZIDES AND UREAS, PHARMACEUTICAL COMPOSITIONS THEREOF, AND METHODS FOR TREATING HEMORRHAGIC FEVER VIRUSES, INCLUDING INFECTIONS ASSOCIATED WITH ARENAVIRUSES	Siga Technologies, Inc.	6- Dec- 04	19- Dec- 13	18- Sep- 14
US20140275 025	SUBSTITUTED 2-AZA-BICYCLO[2.2.1]HEPTANE-3-CARBOXYLIC ACID (BENZYL-CYANO-METHYL)-AMIDES INHIBITORS OF CATHEPSIN C	BOEHRINGER INGELHEIM INTERNATIONAL GMBH	14- Mar- 13	12- Mar- 14	18- Sep- 14
US20140274 980	COMPOUND	RESPIVIRT LTD.	15- Mar- 13	14- Mar- 14	18- Sep- 14
US20140273 228	METHOD FOR PROPAGATING ADENOVIRAL VECTORS ENCODING INHIBITORY GENE PRODUCTS	GenVec, Inc.	10- Nov- 05	28- May- 14	18- Sep- 14
US20140273 156	LUCIFERASE BIOSENSOR	PROMEGA CORPORATION	10- Oct- 03	14- Feb- 14	18- Sep- 14
US20140271 829	RECOMBINANT SELF-REPLICATING POLYCISTRONIC RNA MOLECULES	Not Available	11- Oct- 11	11- Oct- 12	18- Sep- 14
US20140271 700	COMPOSITIONS AND METHODS FOR TREATING CLOSTRIDIUM DIFFICILE-ASSOCIATED DISEASES	National Health Research Institutes	14- Mar- 13	13- Mar- 14	18- Sep- 14
US20140271 580	IMMUNOPROTECTIVE PRIMARY MESENCHYMAL STEM CELLS AND METHODS	THE ADMINISTRATORS OF THE TULANE EDUCATIONAL FUND	14- Mar- 13	14- Mar- 13	18- Sep- 14
US20140271 550	Constructs and Methods for Delivering Molecules via Viral Vectors with Blunted Innate Immune Responses	The Trustees of the University of Pennsylvania	14- Mar- 13	14- Mar- 14	18- Sep- 14
US20140270 457	STAIN-FREE HISTOPATHOLOGY BY CHEMICAL IMAGING	The Board of Trustees of the University of Illinois	15- Mar- 13	14- Mar- 14	18- Sep- 14
US20140255 472	PEGYLATED LIPOSOMES FOR DELIVERY OF IMMUNOGEN-ENCODING RNA	Not Available	31- Aug- 11	31- Aug- 12	11- Sep- 14
US20140255 439	VIRUS-LIKE PARTICLES AND PROCESS FOR PREPARING SAME	FOLIA BIOTECH INC.	13- May- 11	1- May- 12	11- Sep- 14
US20140255 426	WNT PATHWAY INHIBITORS FOR TREATING VIRAL INFECTIONS	Children's Healthcare of Atlanta, Inc.	11- Mar- 13	10- Mar- 14	11- Sep- 14
US20140255 349	PEPTIDES WITH VIRAL INFECTION ENHANCING PROPERTIES AND THEIR USE	Centre National de la Recherche Scientifique	30- Jun- 11	28- Jun- 12	11- Sep- 14
US20140249 296	USING SORTASES TO INSTALL CLICK CHEMISTRY HANDLES FOR PROTEIN LIGATION	Whitehead Institute for Biomedical Research	28- Jun- 11	28- Jun- 12	4- Sep- 14
US20140249 129	Substituted Bicyclic Dihydropyrimidinones And Their Use As Inhibitors Of Neutrophil Elastase Activity	Boehringer Ingelheim International GmbH	4- Mar- 13	20- Feb- 14	4- Sep- 14
US20140248 620	Methods and Compositions for Prostate Cancer Metastasis	Florida Agricultural and Mechanical University (FAMU)	25- Mar- 11	23- Mar- 12	4- Sep- 14
US20140248 357	Respiratory Disease Treatment	PULMAGEN THERAPEUTICS (INFLAMMATION) LIMITED	7- Aug- 08	7- Apr- 14	4- Sep- 14
US20140248 320	ADJUVANTED INFLUENZA B VIRUS VACCINES FOR PEDIATRIC PRIMING	Not Available	20- Oct- 11	19- Oct- 12	4- Sep- 14
US20140248 313	COMBINATION ADJUVANT FORMULATION	Dalhousie University	16- Oct- 08	15- Feb- 13	4- Sep- 14
US20140248 312	INFLUENZA VACCINES INCLUDING COMBINATIONS OF PARTICULATE ADJUVANTS AND IMMUNOPOTENTIATORS	NOVARTIS VACCINES AND DIAGNOSTICS SRL	4- Nov- 05	28- Feb- 14	4- Sep- 14
US20140243 505	BISPECIFIC ANTIBODY	WUHAN YZY BIOPHARMA CO., LTD.	21- Nov- 12	13- Mar- 14	28- Aug- 14
US20140243 341	BROAD-SPECTRUM ANTIVIRALS AGAINST 3C OR 3C-LIKE PROTEASES OF PICORNAVIRUS-LIKE SUPERCLUSTER: PICORNAVIRUSES, CALICIVIRUSES AND CORONAVIRUSES	Not Available	27- Sep- 11	27- Sep- 12	28- Aug- 14
US20140242 692	MAMMALIAN GENES INVOLVED IN TOXICITY AND INFECTION	Not Available	10- Dec- 10	11- Dec- 11	28- Aug- 14
US20140242 152	IMMUNOGENIC COMPOSITIONS AND USES THEREOF	Not Available	6-Jul- 11	6-Jul- 12	28- Aug- 14
US20140242 108	Conjugated TLR7 and/or TLR8 and TLR2 polycationic agonists	CAYLA	22- Feb- 13	22- Feb- 13	28- Aug- 14
US20140235 844	Short Interfering RNA (siRNA) Analogues	Santaris Pharma A/S	21- Mar- 03	11- Feb- 14	21- Aug- 14

US20140235 653	HYDRAZIDE CONTAINING NUCLEAR TRANSPORT MODULATORS AND USES THEREOF	Karyopharm Therapeutics, Inc.	29- Jul-11	19- Mar-14	21- Aug-14
US20140235 460	QUANTITATIVE NUCLEASE PROTECTION ASSAY (QNPA) AND SEQUENCING (QNPS) IMPROVEMENTS	HTG Molecular Diagnostics, Inc.	4- May-11	1- May-14	21- Aug-14
US20140234 845	ORGANISM IDENTIFICATION PANEL	Not Available	2- Apr-07	1- Apr-08	21- Aug-14
US20140234 374	COMPOSITIONS AND METHODS FOR ACTIVATING INNATE AND ALLERGIC IMMUNITY	ID BIOMEDICAL CORPORATION OF QUEBEC	26- Apr-12	28- Apr-14	21- Aug-14
US20140234 372	NOVEL VLPS DERIVED FROM CELLS THAT DO NOT EXPRESS A VIRAL MATRIX OR CORE PROTEIN	Not Available	25- May-07	14- Apr-14	21- Aug-14
US20140234 274	Directed Evolution and In Vitro Panning of Virus Vectors	University of North Carolina at Chapel Hill	30- Apr-08	17- Jan-14	21- Aug-14
US20140228 347	COMPOUNDS AND COMPOSITIONS AS C-KIT KINASE INHIBITORS	IRM LLC	1- Sep-11	22- Apr-14	14- Aug-14
US20140227 704	METHODS FOR RAPID IDENTIFICATION AND QUANTITATION OF NUCLEIC ACID VARIANTS	IBIS BIOSCIENCES, INC.	11- Nov-09	7- Oct-13	14- Aug-14
US20140227 346	IMMUNOGENIC COMBINATION COMPOSITIONS AND USES THEREOF	Not Available	6-Jul-11	6-Jul-12	14- Aug-14
US20140227 317	HETEROBIFUNCTIONAL LINKERS WITH POLYETHYLENE GLYCOL SEGMENTS AND IMMUNE RESPONSE MODIFIER CONJUGATES MADE THEREFROM	3M INNOVATIVE PROPERTIES COMPANY	3- Jun-11	1- Jun-12	14- Aug-14
US20140227 262	PD-1 Antagonists and Methods for Treating Infectious Disease	AMPLIMMUNE, INC.	25- Aug-08	1- Nov-13	14- Aug-14
US20140221 631	BORON-CONTAINING SMALL MOLECULES	Anacor Pharmaceuticals, Inc.	16- Feb-06	7- Mar-14	7- Aug-14
US20140221 394	HYDROBENZAMIDE DERIVATIVES AS INHIBITORS OF HSP90	Astex Therapeutic Ltd.	12- Oct-06	7- Jan-14	7- Aug-14
US20140221 335	SUBSTITUTED BICYCLIC DIHYDROPYRIMIDINONES AND THEIR USE AS INHIBITORS OF NEUTROPHIL ELASTASE ACTIVITY	BOEHRINGER INGELHEIM INTERNATIONAL GMBH	6- Feb-13	28- Jan-14	7- Aug-14
US20140220 690	MAMMALIAN GENES INVOLVED IN INFECTION	VANDERBILT UNIVERSITY	11- Nov-09	28- Oct-10	7- Aug-14
US20140220 573	EMBODIMENTS OF A PROBE AND METHOD FOR TARGETING NUCLEIC ACIDS	University Of Idaho	19- Jul-11	19- Jul-12	7- Aug-14
US20140220 086	Antimicrobial Compositions and Methods of Use Thereof	Not Available	21- Sep-11	21- Sep-12	7- Aug-14
US20140220 083	CATIONIC OIL-IN-WATER EMULSIONS	Not Available	6-Jul-11	6-Jul-12	7- Aug-14
US20140220 063	VACCINE COMPOSITION	Not Available	5- Feb-13	29- Jan-14	7- Aug-14
US20140212 498	OIL-IN-WATER EMULSIONS THAT CONTAIN NUCLEIC ACIDS	Not Available	6-Jul-11	6-Jul-12	31- Jul-14
US20140212 429	BINDING MEMBERS-513	MEDIMMUNE LIMITED	7- Nov-08	16- Apr-14	31- Jul-14
US20140206 682	COMPOUNDS AND COMPOSITIONS AS PDGFR KINASE INHIBITORS	IRM LLC	1- Sep-11	31- Aug-12	24- Jul-14
US20140206 556	Systems and Methods for Identifying Replikin Scaffolds and Uses of Said Replikin Scaffolds	Not Available	6- Jun-03	19- Jun-13	24- Jul-14
US20140205 629	TC-83-DERIVED ALPHAVIRUS VECTORS, PARTICLES AND METHODS	AlphaVax, Inc.	18- May-04	28- Mar-14	24- Jul-14
US20140203 192	SYSTEMS AND METHODS FOR DISTINGUISHING OPTICAL SIGNALS OF DIFFERENT MODULATION FREQUENCIES IN AN OPTICAL SIGNAL DETECTOR	Gen-Probe Incorporated	24- Feb-11	21- Mar-14	24- Jul-14
US20140203 189	SYSTEMS AND METHODS FOR DISTINGUISHING OPTICAL SIGNALS OF DIFFERENT MODULATION FREQUENCIES IN AN OPTICAL SIGNAL DETECTOR	GEN-PROBE INCORPORATED	24- Feb-11	21- Mar-14	24- Jul-14
US20140200 149	Methods and compositions for identification of source of microbial contamination in a sample	THE REGENTS OF THE UNIVERSITY OF CALIFORNIA	6- Mar-12	6- Mar-13	17- Jul-14
US20140199 379	COMPOSITIONS HAVING MEANS FOR TARGETING AT LEAST ONE ANTIGEN TO DENDRITIC CELLS	ASSISTANCE PUBLIQUE - HOPITAUX DE PARIS	22- Jul-11	23- Jul-12	17- Jul-14

US20140199 347	ADJUVANT COMPOSITIONS WITH 4-1BBL	UNIVERSITY OF LOUISVILLE RESEARCH FOUNDATION, INC.	10-Feb-11	7-Feb-12	17-Jul-14
US20140199 281	SYNERGISTIC BACTERIAL COMPOSITIONS AND METHODS OF PRODUCTION AND USE THEREOF	Seres Health, Inc.	23-Nov-12	20-Mar-14	17-Jul-14
US20140194 628	SUBSTITUTED IMIDAZO RING SYSTEMS AND METHODS	3M INNOVATIVE PROPERTIES COMPANY	25-Nov-03	11-Mar-14	10-Jul-14
US20140194 500	Methods For Treating of SARS	Not Available	8-Jan-13	8-Jan-13	10-Jul-14
US20140194 345	NOVEL DEPSIPEPTIDE AND USES THEREOF	Not Available	3-Dec-12	3-Dec-13	10-Jul-14
US20140193 804	Biological Specimen Collection and Transport System and Method of Use	Longhorn Vaccines and Diagnostics, LLC	1-Oct-07	7-Jan-14	10-Jul-14
US20140193 439	VACCINES AND IMMUNOTHERAPEUTICS COMPRISING IL-15 RECEPTOR ALPHA AND/OR NUCLEIC ACID MOLECULES ENCODING THE SAME, AND METHODS FOR USING THE SAME	Not Available	14-Sep-09	6-Jan-14	10-Jul-14
US20140186 396	METHODS FOR STABILIZING INFLUENZA ANTIGEN ENVELOPED VIRUS-BASED VIRUS-LIKE PARTICLE SOLUTIONS	TAKEDA VACCINES, INC.	28-Dec-09	6-Mar-14	3-Jul-14
US20140186 292	DEFECTIVE RIBOSOMAL PRODUCTS IN BLEBS (DRIBBLES) AND METHODS OF USE TO STIMULATE AN IMMUNE RESPONSE	Providence Health & Services - Oregon	29-Jul-05	10-Feb-14	3-Jul-14
US20140179 761	TARGETING LIPIDS	Tekmira Pharmaceuticals Corporation	4-Dec-08	22-Oct-13	26-Jun-14
US20140179 714	NOVEL COMPOUNDS	Chiesi Farmaceutici S.p.A.	14-Sep-11	11-Feb-14	26-Jun-14
US20140178 977	SYSTEMS AND METHODS FOR DETECTING MULTIPLE OPTICAL SIGNALS	Gen-Probe Incorporated	10-Mar-05	3-Mar-14	26-Jun-14
US20140178 429	Vaccines Including Antigen From Four Strains of Influenza Virus	NOVARTIS AG	6-Dec-06	24-Sep-13	26-Jun-14
US20140178 428	QUALITY CONTROL METHODS FOR OIL-IN-WATER EMULSIONS CONTAINING SQUALENE	Novartis AG	8-Nov-06	27-Aug-13	26-Jun-14
US20140178 422	PRIMARY MESENCHYMAL STEM CELLS AS A VACCINE PLATFORM	The Administrators of the Tulane Educational Fund	21-Dec-12	15-Nov-13	26-Jun-14
US20140171 447	CHLORO-PYRAZINE CARBOXAMIDE DERIVATIVES WITH EPITHELIAL SODIUM CHANNEL BLOCKING ACTIVITY	Parion Sciences, Inc.	17-Dec-12	13-Dec-13	19-Jun-14
US20140171 414	NOVEL COMPOUNDS	CHIESI FARMACEUTICI S.p.A.	18-Dec-12	17-Dec-13	19-Jun-14
US20140170 709	VECTOR FOR GENE THERAPY	TAKARA BIO INC.	20-Apr-07	31-Jan-14	19-Jun-14
US20140170 244	3,5-DIAMINO-6-CHLORO-N-(N-(4-PHENYLBUTYL)CARBAMIMIDOYL) PYRAZINE-2- CARBOXAMIDE COMPOUNDS	Parion Sciences, Inc.	17-Dec-12	13-Dec-13	19-Jun-14
US20140170 183	D-Amino Acid Derivative-Modified Peptidoglycan and Methods of Use Thereof	The Regents of the University of California	30-Nov-12	27-Nov-13	19-Jun-14
US20140170 174	POLYCHLORINATED BIPHENYLS AND SQUALENE-CONTAINING ADJUVANTS	Novartis AG	28-Dec-07	10-Dec-13	19-Jun-14
US20140170 156	HUMAN MONOCLONAL ANTIBODIES AGAINST INTERLEUKIN 8 (IL-8)	GENMAB A/S	16-Dec-02	7-Nov-13	19-Jun-14
US20140170 141	POLYPEPTIDES AND USES THEREOF FOR TREATMENT OF AUTOIMMUNE DISORDERS AND INFECTION	COMPUGEN LTD.	30-Jun-11	1-Jul-12	19-Jun-14
US20140163 213	CpG Oligonucleotide Analogs Containing Hydrophobic T Analogs with Enhanced Immunostimulatory Activity	COLEY PHARMACEUTICAL GMBH	27-Sep-06	4-Oct-13	12-Jun-14
US20140163 035	HETEROCYCLIC AMIDE DERIVATIVES AS P2X7 RECEPTOR ANTAGONISTS	ACTELION PHARMACEUTICALS LTD.	22-Jul-11	20-Jul-12	12-Jun-14
US20140162 941	PROCESS FOR PREPARING BIOLOGICAL SAMPLES	BAYLOR COLLEGE OF MEDICINE	27-Jul-11	26-Jul-12	12-Jun-14
US20140162 888	CIRCULATING BIOMARKERS FOR DISEASE	Not Available	6-Apr-10	6-Apr-11	12-Jun-14
US20140162 357	METHODS FOR GENERATION OF ANTIBODIES	NATIONAL JEWISH HEALTH	13-Mar-07	4-Sep-13	12-Jun-14

US20140162 285	Methods of Modulating Vesicular Trafficking	The General Hospital Corporation	21- May- 09	2- Dec- 13	12- Jun- 14
US20140161 906	USE OF ANGIOGENESIS ANTAGONISTS IN CONDITIONS OF ABNORMAL VENOUS PROLIFERATION	UNIVERSITY OF UTAH RESEARCH FOUNDATION	8- Nov- 07	12- Jun- 13	12- Jun- 14
US20140161 724	Compositions and Imaging Methods Comprising Detectably Labeled Phosphatidylethanolamine-Binding Peptides	Board of Regents, The University of Texas System	15- Jul-02	16- Dec- 13	12- Jun- 14
US20140155 370	NUCLEAR TRANSPORT MODULATORS AND USES THEREOF	Not Available	5- Mar- 10	28- Jun- 13	5- Jun- 14
US20140154 288	PAPAYA MOSAIC VIRUS COMPOSITIONS AND USES THEREOF FOR STIMULATION OF THE INNATE IMMUNE RESPONSE	FOLIA BIOTECH INC.	13- May- 11	1- May- 12	5- Jun- 14
US20140154 282	CONJUGATES UTILIZING PLATFORM TECHNOLOGY FOR STIMULATING IMMUNE RESPONSE	Not Available	26- Jan- 11	26- Jan- 12	5- Jun- 14
US20140154 254	HETERODIMERIC IMMUNOGLOBULINS	AMGEN INC.	21- Nov- 12	21- Nov- 13	5- Jun- 14
US20140148 350	CIRCULATING BIOMARKERS FOR DISEASE	Not Available	18- Aug- 10	18- Aug- 11	29- May- 14
US20140142 118	CHEMICALLY AND METABOLICALLY STABLE DIPEPTIDE POSSESSING POTENT SODIUM CHANNEL BLOCKER ACTIVITY	PARION SCIENCES, INC.	27- Jun- 11	27- Jun- 12	22- May- 14
US20140142 064	BORON-CONTAINING SMALL MOLECULES	ANACOR PHARMACEUTICALS, INC.	16- Feb- 05	27- Jan- 14	22- May- 14
US20140141 986	CIRCULATING BIOMARKERS	Not Available	22- Feb- 11	17- Feb- 12	22- May- 14
US20140141 502	Methods For Concurrent Identification And Quantification Of An Unknown Bioagent	IBIS BIOSCIENCES, INC.	18- Feb- 04	27- Jan- 14	22- May- 14
US20140141 452	Method of Determining, Identifying or Isolating Cell-Penetrating Peptides	Phylogica Limited	23- May- 11	23- May- 12	22- May- 14
US20140141 070	LIPOSOMES HAVING USEFUL N:P RATIO FOR DELIVERY OF RNA MOLECULES	Not Available	6-Jul-11	6- Jul- 12	22- May- 14
US20140141 033	CONJUGATED TLR7 AND/OR TLR8 AND TLR2 AGONISTS	CAYLA	19- Nov- 12	15- Mar- 13	22- May- 14
US20140135 230	Lipoparticles Comprising Proteins, Methods Of Making, And Using The Same	Integral Molecular, Inc.	30- Jul-03	1- Nov- 13	15- May- 14
US20140134 699	NOVEL STABILISATION METHOD FOR VIRUSES OR BACTERIA	Leukocare AG	28- Jun- 11	28- Jun- 12	15- May- 14
US20140134 606	EXOSOME-MEDIATED DIAGNOSIS OF HEPATITIS VIRUS INFECTIONS AND DISEASES	MOREHOUSE SCHOOL OF MEDICINE	6- Oct- 08	21- Jan- 14	15- May- 14
US20140134 206	INFLAMMATION AND IMMUNITY TREATMENTS	OCEAN SPRAY CRANBERRIES, INC.	1- Apr- 11	30- Mar- 12	15- May- 14
US20140134 150	TECHNOLOGY FOR PREPARATION OF MACROMOLECULAR MICROSPHERES	Ansun Biopharma, Inc.	24- Jan- 06	6- Jan- 14	15- May- 14
US20140128 324	METHODS AND COMPOSITIONS FOR THE TREATMENT OF CANCER OR OTHER DISEASES	CITY OF HOPE	26- Jan- 07	14- Jan- 14	8- May- 14
US20140127 321	ANTIVIRAL RESIN MEMBER	NBC MESHTEC, INC.	6-Jul-11	6- Jul- 12	8- May- 14
US20140127 310	TREATMENT OF DISEASE WITH POLY-N-ACETYLGUCOSAMINE NANOFIBERS	Marine Polymer Technologies, Inc.	15- Apr- 11	16- Apr- 12	8- May- 14
US20140127 216	NOVEL EXPRESSION CASSETTE FOR EFFICIENT SURFACE DISPLAY OF ANTIGENIC PROTEINS	Temasek Life Sciences Laboratory Limited	8- Feb- 11	8- Feb- 12	8- May- 14
US20140120 139	METHODS FOR INDUCING AN IMMUNE RESPONSE VIA BUCCAL AND/OR SUBLINGUAL ADMINISTRATION OF A VACCINE	Board of Regents, The University of Texas System	26- Jul-10	25- Jan- 13	1- May- 14
US20140116 887	ELECTROCHEMISTRY AND ELECTROGENERATED CHEMILUMINESCENCE WITH A SINGLE FARADAIC ELECTRODE	Board of Regents of the University of Texas System	3- Jun- 05	28- Oct- 13	1- May- 14
US20140113 855	Modified Release Formulations for Oprozomib	Not Available	24- Oct- 12	24- Oct- 13	24- Apr- 14
US20140107 133	3,5-DIAMINO-6-CHLORO-N-(N-(4-(4-(2-(HEXYL(2,3,4,5,6-PENTAHYDROXYHEXYL)AMINO)ETHOXY)PHENYL)BUTYL)CARBAMIMIDOYL)PYRAZINE-2-CARBOXAMIDE	Parion Sciences, Inc.	27- Jun- 11	18- Dec- 13	17- Apr- 14

US20140106335	OLIGONUCLEOTIDE PROBE FOR THE DETECTION OF ADENOVIRUS	Qiagen Hamburg GMBH	28-Dec-10	28-Dec-10	17-Apr-14
US20140105928	Antiviral and antibacterial activity from medicinal mushrooms	Not Available	6-Jan-04	20-Dec-13	17-Apr-14
US20140105912	VISTA MODULATORS FOR DIAGNOSIS AND TREATMENT OF CANCER	THE TRUSTEES OF DARTMOUTH COLLEGE	7-Sep-12	9-Sep-13	17-Apr-14
US20140099696	Technology for the Preparation of Microparticles	Ansun Biopharma, Inc.	24-Jul-07	30-Apr-13	10-Apr-14
US20140099323	METHODS FOR TREATMENT OF INFLAMMATORY DISEASES	Not Available	8-Apr-09	30-Oct-13	10-Apr-14
US20140094404	METHODS AND REAGENTS FOR EFFICIENT AND TARGETED DELIVERY OF THERAPEUTIC MOLECULES TO CXCR4 CELLS	Not Available	13-Jan-11	13-Jan-12	3-Apr-14
US20140093532	Immunogenic Compositions In Particulate Form And Methods For Producing The Same	MUCOSIS B.V.	22-Mar-11	22-Mar-12	3-Apr-14
US20140087954	QUANTITATIVE NUCLEASE PROTECTION ASSAY (QNPA) AND SEQUENCING (QNPS) IMPROVEMENTS	HTG Molecular Diagnostics, Inc.	4-May-11	26-Apr-12	27-Mar-14
US20140087363	METHOD FOR GENERATING, STORING, TRANSPORTING, ELUTING AND DETECTING CLINICAL RELEVANT INFORMATION IN PLASMA USING FILTER PAPER	HVIDOVRE HOSPITAL	9-Dec-10	9-Dec-11	27-Mar-14
US20140086928	Antigenic GM-CSF Peptides and Antibodies to GM-CSF	MORPHOTEK, INC.	8-Feb-06	26-Nov-13	27-Mar-14
US20140082769	MOLECULES AND METHODS FOR INHIBITION AND DETECTION OF PROTEINS	Not Available	11-Mar-11	12-Mar-12	20-Mar-14
US20140080828	IMIDAZOLYL AMIDE COMPOUNDS AND USES RELATED THERETO	CHILDREN'S HEALTHCARE OF ATLANTA, INC.	31-Mar-11	28-Mar-12	20-Mar-14
US20140080171	OPTICAL CYTOMETRY	The Regents of the University of California	6-May-09	25-Nov-13	20-Mar-14
US20140080121	PRIMATE T-LYMPHOTROPIC VIRUSES	Johns Hopkins University	21-Feb-05	20-Sep-13	20-Mar-14
US20140079667	TETRAZOLONES AS INHIBITORS OF FATTY ACID SYNTHASE	Infinity Pharmaceuticals, Inc.	5-May-10	23-Aug-13	20-Mar-14
US20140073683	MODIFIED SMALL INTERFERING RNA MOLECULES AND METHODS OF USE	Not Available	26-Jul-02	12-Mar-13	13-Mar-14
US20140073651	BENZAMIDE DERIVATIVES AS P2X7 RECEPTOR ANTAGONISTS	Actelion Pharmaceuticals Ltd.	22-Feb-11	21-Feb-12	13-Mar-14
US20140072956	COMPOSITION, DEVICE AND ASSOCIATED METHOD	General Electric Company	15-Dec-05	28-Feb-07	13-Mar-14
US20140072575	RSV-SPECIFIC BINDING MOLECULES AND MEANS FOR PRODUCING THEM	MedImmune Limited	1-Jun-07	13-Sep-13	13-Mar-14
US20140066592	METHODS AND COMPOSITIONS FOR THE TREATMENT OF CANCER OR OTHER DISEASES	City of Hope	26-Jan-07	11-Oct-13	6-Mar-14
US20140057926	SUBSTITUTED 4-PYRIDONES AND THEIR USE AS INHIBITORS OF NEUTROPHIL ELASTASE ACTIVITY	BOEHRINGER INGELHEIM INTERNATIONAL GMBH	23-Aug-12	20-Aug-13	27-Feb-14
US20140057920	SUBSTITUTED 4-PYRIDONES AND THEIR USE AS INHIBITORS OF NEUTROPHIL ELASTASE ACTIVITY	BOEHRINGER INGELHEIM INTERNATIONAL GMBH	23-Aug-12	20-Aug-13	27-Feb-14
US20140057916	SUBSTITUTED 4-PYRIDONES AND THEIR USE AS INHIBITORS OF NEUTROPHIL ELASTASE ACTIVITY	BOEHRINGER INGELHEIM INTERNATIONAL GMBH	23-Aug-12	20-Aug-13	27-Feb-14
US20140057315	ANTIGEN PRESENTING CELL ASSAY	University of Pittsburgh - Of the Commonwealth System of Higher Education	8-Apr-10	11-Oct-13	27-Feb-14
US20140056929	IMMUNOMODULATION BY CONTROLLING INTERFERON-GAMMA LEVELS WITH THE LONG NON-CODING RNA NeSt	The Board of Trustees of the Leland Stanford Junior University	23-Aug-12	23-Aug-13	27-Feb-14
US20140051148	Cells and Methodology to Generate Non-Segmented Negative-Strand RNA Viruses	Centre National De La Recherche Scientifique	22-Dec-06	15-Oct-13	20-Feb-14
US20140050778	NUCLEIC ACID BINDING COMPOUNDS, METHODS OF MAKING, AND USE THEREOF	UNIVERSITY OF ROCHESTER	28-Dec-10	28-Dec-11	20-Feb-14
US20140050763	MODIFIED VIRAL PARTICLES WITH IMMUNOGENIC PROPERTIES AND REDUCED LIPID CONTENT USEFUL FOR TREATING AND PREVENTING INFECTIOUS DISEASES	ELI LILLY & COMPANY	29-Jun-00	30-Oct-13	20-Feb-14

US20140050753	POLYIONIC PAPILLOMA VIRUS-LIKE PARTICLE (VLP) VACCINES	THE JOHNS HOPKINS UNIVERSITY	8-Sep-10	8-Sep-11	20-Feb-14
US20140050698	RECOMBINANT SUPER-COMPOUND INTERFERON AND USES THEREOF	Superlab Far East Limited	28-Feb-01	5-Sep-13	20-Feb-14
US20140045919	Folate Conjugates	Alnylam Pharmaceuticals, Inc.	4-Dec-07	8-Jul-13	13-Feb-14
US20140045837	9-Substituted 8-Oxoadenine Compound	AstraZeneca Aktiebolag	26-Mar-04	21-Oct-13	13-Feb-14
US20140045774	METHODS FOR TREATING VIRAL DISORDERS	TRUSTEES OF BOSTON UNIVERSITY	24-Sep-09	11-Jun-13	13-Feb-14
US20140045743	COMPOSITIONS AND METHODS FOR CORONAVIRUS INHIBITION	Autoimmune Technologies, LLC	4-Nov-03	8-Aug-13	13-Feb-14
US20140044641	POLYPEPTIDES AND POLYNUCLEOTIDES, AND USES THEREOF FOR TREATMENT OF IMMUNE RELATED DISORDERS AND CANCER	COMPUGEN LTD.	15-Apr-11	16-Apr-12	13-Feb-14
US20140038978	HETEROCYCLIC COMPOUNDS AS CCR2B ANTAGONISTS	AstraZeneca AB	24-Dec-04	13-Sep-13	6-Feb-14
US20140038174	Compositions and Methods for Detecting and Identifying Nucleic Acid Sequences in Biological Samples	LONGHORN VACCINES AND DIAGNOSTICS, LLC	26-Apr-11	8-Oct-13	6-Feb-14
US20140038170	APPARATUS, SYSTEMS, AND METHODS FOR PERFORMING THERMAL MELT ANALYSES AND AMPLIFICATIONS	Not Available	31-Jul-12	31-Jul-13	6-Feb-14
US20140037700	Composition and Method for Enhancing an Immune Response	MICO BIO, INC.	20-Apr-11	19-Apr-12	6-Feb-14
US20140031418	Regimens and Compositions for AAV-Mediated Passive Immunization of Airborne Pathogens	THE TRUSTEES OF THE UNIVERSITY OF PENNSYLVANIA	20-Apr-11	20-Apr-12	30-Jan-14
US20140031371	POLY AROMATIC SODIUM CHANNEL BLOCKERS	PARION SCIENCES, Inc.	26-Feb-08	1-Oct-13	30-Jan-14
US20140031333	COMPOUNDS AND COMPOSITIONS AS C-KIT KINASE INHIBITORS	IRM LLC	1-Sep-11	19-Sep-13	30-Jan-14
US20140031276	COMPOUNDS AND METHODS FOR PREVENTING OR TREATING A VIRAL INFECTION	CENTRE NATIONAL DE LA RECHERCHE SCIENTIFIQUE (C.N.R.S.)	2-Nov-07	19-Jun-13	30-Jan-14
US20140030740	Rapid Bioluminescence Detection System	The Secretary of State for Health	7-Jan-09	2-Aug-13	30-Jan-14
US20140030725	MUTANT PROTEASE BIOSENSORS WITH ENHANCED DETECTION CHARACTERISTICS	PROMEGA CORPORATION	11-May-10	12-Nov-12	30-Jan-14
US20140030703	Compositions and Methods for Detecting and Identifying Nucleic Acid Sequences in Biological Samples	LONGHORN VACCINES AND DIAGNOSTICS, LLC	12-Sep-06	8-Oct-13	30-Jan-14
US20140030364	ANTIVIRAL COMPOSITIONS COMPRISING ETHANOL EXTRACT OF TETRACERA SCANDENS AND USE THEREOF	Not Available	24-Jul-12	28-Mar-13	30-Jan-14
US20140030295	Use of Sirt1 Activators or Inhibitors to Modulate an Immune Response	THE J. DAVID GLADSTONE INSTITUTES	7-Feb-08	17-Dec-12	30-Jan-14
US20140024804	Crystalline Tripeptide Epoxy Ketone Protease Inhibitors	Onyx Therapeutics, Inc.	20-Mar-09	24-Sep-13	23-Jan-14
US20140024583	ORGANIC COMPOUNDS	Not Available	5-Jun-06	15-Jul-13	23-Jan-14
US20140023645	ENGINEERED ANTIBODY CONSTANT DOMAIN MOLECULES	The United States of America, as represented by the Secretary, Dept. of Health & Human Services	31-Jan-08	1-Oct-13	23-Jan-14
US20140023592	SELF COUPLING RECOMBINANT ANTIBODY FUSION PROTEINS	Fraunhofer-Gesellschaft zur Forderung der Angewandten Forschung e.V.	25-Jul-07	30-Sep-13	23-Jan-14
US20140017727	Cna-B DOMAIN ANTIGENS IN VACCINES AGAINST GRAM POSITIVE BACTERIA	Not Available	12-Jan-09	7-Jun-13	16-Jan-14
US20140017285	ADJUVANT NANOEMULSIONS WITH PHOSPHOLIPIDS	NOVARTIS AG	24-Mar-11	23-Mar-12	16-Jan-14
US20140017279	ADJUVANT NANOEMULSIONS WITH CRYSTALLISATION INHIBITORS	Novartis AG	27-Jan-11	27-Jan-12	16-Jan-14
US20140011982	Antibodies Against Influenza Virus and Methods of Use Thereof	BURNHAM INSTITUTE FOR MEDICAL RESEARCH	6-Dec-07	12-Aug-13	9-Jan-14
US20140011812	Methods of Treating Inflammation	Massachusetts Institute of Technology	8-Oct-10	7-Oct-11	9-Jan-14
US20140011777	SUBSTITUTED IMIDAZOQUINOLINES, IMIDAZOPYRIDINES, AND IMIDAZONAPHTHYRIDINES	3M INNOVATIVE PROPERTIES COMPANY	18-Jun-04	9-Sep-13	9-Jan-14

US20140011 187	Biological Specimen Collection and Transport System and Method of Use	Longhorn Vaccines and Diagnostics, LLC	1- Oct- 07	19- Mar- 13	9- Jan- 14
US20140010 837	Methods and Compositions for Preventing a Condition	Cyvax, Inc.	9- Aug- 10	11- Sep- 13	9- Jan- 14
US20140005 241	Suppression of Sars Replication by Sars Helicase Inhibitors	The Curators of the University of Missouri	15- Jun- 12	17- Jun- 13	2- Jan- 14
US20140005 102	Oligoadenylate Synthetase (OAS)	Kineta Two LLC	23- Nov- 05	1- Jul- 13	2- Jan- 14
US20140005 101	Oligoadenylate Synthetase (OAS)	Kineta Two LLC	23- Nov- 05	14- Jun- 13	2- Jan- 14
US20140005 097	BIOACTIVE PEPTIDES AND METHODS OF USING SAME	Compugen Ltd.	12- Jul-07	21- Jun- 13	2- Jan- 14
US20140004 193	COMPOSITIONS AND METHODS FOR TREATING AND PREVENTING PORCINE REPRODUCTIVE AND RESPIRATORY SYNDROME	Not Available	24- Apr- 12	24- Apr- 13	2- Jan- 14
US20140004 146	METHOD FOR PRODUCING VIRUS-LIKE PARTICLE BY USING DROSOPHILA CELL AND APPLICATIONS THEREOF	INSTITUT PASTEUR OF SHANGHAI, CHINESE ACADEMY OF SCIENCES	17- Mar- 11	19- Mar- 12	2- Jan- 14
US20140004 143	ADENO-ASSOCIATED VIRUS (AAV) SEROTYPE 8 SEQUENCES, VECTORS CONTAINING SAME, AND USES THEREFOR	THE TRUSTEES OF THE UNIVERSITY OF PENNSYLVANIA	17- Dec- 01	13- Sep- 13	2- Jan- 14
US20140004 128	ANTI-IL-18 ANTIBODIES AND THEIR USES	Medimmune Limited	20- Dec- 10	20- Dec- 11	2- Jan- 14
US20140004 123	MONOCLONAL ANTIBODY PRODUCTION BY EBV TRANSFORMATION OF B CELLS	Institute For Research in Biomedicine	26- Feb- 03	25- Apr- 13	2- Jan- 14
US20130345 414	TREATING CANCER WITH VIRAL NUCLEIC ACID	Not Available	20- Feb- 07	26- Jul- 13	26- Dec- 13
US20130345 284	siRNA Compositions and Methods for Treatment of HPV and Other Infections	Not Available	29- Jul-10	29- Jan- 13	26- Dec- 13
US20130345 270	METHODS OF TREATING CANCER AND OTHER DISORDERS	Waake Forest University Health Sciences	12- Nov- 10	7- Nov- 11	26- Dec- 13
US20130344 613	USE OF A FLUORESCENT MATERIAL TO DETECT FAILURE OR DETERIORATED PERFORMANCE OF A FLUOROMETER	GEN-PROBE INCORPORATED	14- Jun- 12	7- Jun- 13	26- Dec- 13
US20130344 100	VIRUS LIKE PARTICLE PRODUCTION IN PLANTS	MEDICAGO INC.	22- Dec- 10	22- Dec- 11	26- Dec- 13
US20130341 206	AMPEROMETRIC GAS SENSOR	STERIS CORPORATION	25- Jun- 12	26- Feb- 13	26- Dec- 13
US20130338 224	DECONTAMINATING COMPOSITION HAVING SIMULTANEOUSLY BACTERICIDAL, FUNGICIDAL AND VIROCIDAL PROPERTIES, METHODS FOR OBTAINING AND USING SAID COMPOSITION	HIGHTECH BIO-ACTIVITIES HOLDING GMBH	29- Mar- 04	7- Aug- 13	19- Dec- 13
US20130338 174	PURINE DERIVATIVES	ABBOTT PHILLIP	17- Dec- 10	14- Dec- 11	19- Dec- 13
US20130338 130	METHYLSULFONYLMETHANE (MSM) FOR TREATMENT OF DRUG RESISTANT MICROORGANISMS	Biogenic Innovations, LLC	30- Oct- 09	19- Aug- 13	19- Dec- 13
US20130336 996	NOVEL COMPOSITIONS OF TLR7 AND/OR TLR8 AGONISTS CONJUGATED TO LIPIDS	CAYLA	15- Jun- 12	15- Mar- 13	19- Dec- 13
US20130336 929	METHODS AND CELLS FOR IDENTIFYING RIG-I PATHWAY REGULATORS	KINETA, INC.	25- Feb- 11	23- Feb- 12	19- Dec- 13
US20130336 923	Carbonic Anhydrase IX (G250) Antibodies and Methods of Use Thereof	DANA-FARBER CANCER INSTITUTE, INC.	2- Dec- 05	8- May- 13	19- Dec- 13
US20130331 313	METHODS AND COMPOSITIONS FOR TREATING VIRAL OR VIRALLY-INDUCED CONDITIONS	HEMAQUEST PHARMACEUTICALS INC	11- Mar- 10	7- Jun- 13	12- Dec- 13
US20130330 840	FLOW CYTOMETRY ANALYSIS OF MATERIALS ADSORBED TO METAL SALTS	NOVARTIS AG	14- Dec- 10	14- Dec- 11	12- Dec- 13
US20130330 335	BIOINFORMATIC PROCESSES FOR DETERMINATION OF PEPTIDE BINDING	IOGENETICS, LLC	23- Mar- 10	21- Mar- 11	12- Dec- 13
US20130324 559	DENDRIMER LIKE AMINO AMIDES POSSESSING SODIUM CHANNEL BLOCKER ACTIVITY FOR THE TREATMENT OF DRY EYE AND OTHER MUCOSAL DISEASES	PARION SCIENCES, INC.	29- May- 12	29- May- 13	5- Dec- 13



US20130323 835	Mammalian Genes Involved in Infection	Zirus, Inc.	15- Jul-09	15- Jul-10	5- Dec-13
US20130323 819	EXPRESSION OF ANTIBODY OR A FRAGMENT THEREOF IN LACTOBACILLUS	ALVAREZ MIGUEL ANGEL	5- Aug-10	4- Aug-11	5- Dec-13
US20130317 080	MODIFIED iRNA AGENTS	ALNYLAM PHARMACEUTICALS, INC.	15- Sep-10	14- Sep-11	28- Nov-13
US20130317 031	Nuclear Transport Modulators And Uses Thereof	Karyopharm Therapeutics Inc.	9- May-12	9- May-13	28- Nov-13
US20130315 952	ADMINISTRATION OF INTERFERON FOR PROPHYLAXIS AGAINST OR TREATMENT OF PATHOGENIC INFECTION	Defyryus, Inc.	9- Jun-09	13- Nov-12	28- Nov-13
US20130302 351	ANTAGONISM OF THE VIP SIGNALING PATHWAY	EMORY UNIVERSITY	2- Feb-11	31- Jan-12	14- Nov-13
US20130302 278	USE OF TLR AGONISTS AND/OR TYPE 1 INTERFERONS TO ALLEVIATE TOXICITY OF TNF-R AGONIST THERAPEUTIC REGIMENS	IMMURX INC	15- Jun-07	16- Apr-13	14- Nov-13
US20130295 129	IMMUNOSTIMULATORY COMPOSITIONS AND METHODS OF USE THEREOF	MASSACHUSETTS INSTITUTE OF TECHNOLOGY	5- Apr-12	15- Mar-13	7- Nov-13
US20130291 134	HUMANIZED TRANSGENIC MOUSE MODEL	BRUMEANU TEPDPR D	24- Sep-10	22- Aug-12	31- Oct-13
US20130289 043	(4-TERT-BUTYLPIPERAZIN-2-YL)(PIPERAZIN-1-YL)METHANONE-N-CARBOXAMIDE DERIVATIVES	AstraZeneca AB	15- Dec-08	27- Jun-13	31- Oct-13
US20130288 922	ARRAYED DETECTOR SYSTEM FOR MEASUREMENT OF INFLUENZA IMMUNE RESPONSE	UNIV ROCHESTER	2- May-08	11- Jul-13	31- Oct-13
US20130288 917	Rapid High Resolution, High Throughput RNA Structure, RNA-Macromolecular Interaction, and RNA-Small Molecule Interaction Mapping	The Board of Trustees of the Leland Stanford Junior University	21- Oct-10	21- Oct-11	31- Oct-13
US20130287 832	SOLUBLE NEEDLE ARRAYS FOR DELIVERY OF INFLUENZA VACCINES	Novartis AG	20- Aug-10	19- Aug-11	31- Oct-13
US20130287 811	Method for Producing Viral Vaccines	BAXTER HEALTHCARE SA	28- Aug-07	26- Jun-13	31- Oct-13
US20130287 772	BIOMARKERS FOR THERANOSTICS	Caris Life Sciences Luxembourg Holdings	1- Mar-10	1- Mar-11	31- Oct-13
US20130281 324	BI-FUNCTIONAL COMPLEXES AND METHODS FOR MAKING AND USING SUCH COMPLEXES	Nuevolution A/S	16- Apr-10	16- Apr-11	24- Oct-13
US20130280 806	MAMMALIAN GENES INVOLVED IN INFECTION	HODGE THOMAS	17- May-10	17- May-11	24- Oct-13
US20130280 298	Immunogenic Affinity-Conjugated Antigen Systems Based on Papaya Mosaic Virus and Uses Thereof	LECLERC DENIS	15- Nov-06	15- Mar-13	24- Oct-13
US20130274 465	ADSORPTION OF IMMUNOPOTENTIATORS TO INSOLUBLE METAL SALTS	IRM LLC	1- Sep-10	1- Sep-11	17- Oct-13
US20130274 129	TAL-EFFECTOR ASSEMBLY PLATFORM, CUSTOMIZED SERVICES, KITS AND ASSAYS	ARNOLD MATTHIAS	4- Apr-12	4- Apr-13	17- Oct-13
US20130273 540	METHOD FOR CHROMOGENIC DETECTION OF TWO OR MORE TARGET MOLECULES IN A SINGLE SAMPLE	BIENIARZ CHRISTOPHER A	22- Aug-08	7- Jun-13	17- Oct-13
US20130273 277	POWDERED POUCH AND METHOD OF MAKING SAME	Monosol, LLC.	16- Apr-12	14- Mar-13	17- Oct-13
US20130273 150	Dendritic Cell Marker and Uses Thereof	CAMINSCHI IRINA	30- Aug-07	21- Mar-13	17- Oct-13
US20130273 120	METHODS AND COMPOSITIONS FOR INTRANASAL DELIVERY	HARUTA SHUNJI	15- Apr-10	14- Mar-13	17- Oct-13
US20130273 113	IMMUNOGENIC APOPTOSIS INDUCING COMPOSITIONS AND METHODS OF USE THEREOF	The Regents of the University of Michigan	12- Apr-12	15- Mar-13	17- Oct-13
US20130273 104	Adjuvanted Influenza Vaccines for Pediatric Use	GROTH NICOLA	22- Feb-08	21- Jun-13	17- Oct-13
US20130273 080	SIALOADHESIN-RELATED COMPOSITIONS AND METHODS	DELPUTTE PETER	11- May-06	15- Mar-13	17- Oct-13
US20130267 578	COMPOSITIONS AND METHODS FOR INHIBITING NADPH OXIDASE EXPRESSION	QUARK PHARMACEUTICALS, INC.	15- Jun-07	6- Jun-13	10- Oct-13
US20130267 532	CYCLIC AMIDE COMPOUNDS AND THEIR USE IN THE TREATMENT OF DISEASE	HORI SEIJI	19- Nov-10	18- Nov-11	10- Oct-13

US20130267 436	LUMINOPHORE-LABELED MOLECULES COUPLED WITH PARTICLES FOR MICROARRAY-BASED ASSAYS	CapitaBio Corporation	27- Oct- 10	27- Oct- 10	10- Oct- 13
US20130267 429	BIOLOGICAL SAMPLE TARGET CLASSIFICATION, DETECTION AND SELECTION METHODS, AND RELATED ARRAYS AND OLIGONUCLEOTIDE PROBES	GARDNER SHEA	21- Dec- 09	2- May- 13	10- Oct- 13
US20130266 645	DERIVATIVES OF STEROID BENZYLAMINES, HAVING AN ANTIPARASITIC ANTIBACTERIAL, ANTIMYCOTIC AND/OR ANTIVIRAL ACTION	Justus-Liebig-Universitat Giessen	6- Oct- 10	6- Oct- 11	10- Oct- 13
US20130266 612	VACCINE COMPOSITION	NITTO DENKO CORPORATION	4- Apr- 12	3- Apr- 13	10- Oct- 13
US20130261 196	Nucleic Acids For Multiplex Organism Detection and Methods Of Use And Making The Same	DIAMOND LISA	11- Jun- 10	10- Jun- 11	3- Oct- 13
US20130261 087	SULFONYL SEMICARBAZIDES, SEMICARBAZIDES AND UREAS, PHARMACEUTICAL COMPOSITIONS THEREOF, AND METHODS FOR TREATING HEMORRHAGIC FEVER VIRUSES, INCLUDING INFECTIONS ASSOCIATED WITH ARENA VIRUSES	SIGA TECHNOLOGIES INC.	6- Dec- 04	6- Jul- 11	3- Oct- 13
US20130261 049	ALPHABODIES SPECIFICALLY BINDING TO CLASS-I VIRAL FUSION PROTEINS AND METHODS FOR PRODUCING THE SAME	COMPLIX SA	6- Jan- 11	2- Dec- 11	3- Oct- 13
US20130259 887	REOVIRUS VACCINES AND METHODS OF USE THEREFOR	BOEHME KARL W	7- Apr- 10	4- Apr- 11	3- Oct- 13
US20130259 871	Human Monoclonal Antibody with Specificity for Dengue Virus Serotype 1 E Protein and Uses Thereof	DSO NATIONAL LABORATORIES	14- Dec- 10	14- Dec- 11	3- Oct- 13
US20130259 829	CLIP INHIBITORS AND METHODS OF MODULATING IMMUNE FUNCTION	Viral Genetics, Inc.	25- Jul-08	6- Jun- 13	3- Oct- 13
US20130253 002	COMPOUNDS AND COMPOSITIONS AS TLR ACTIVITY MODULATORS	CORTEZ ALEX	3- Mar- 08	22- Apr- 13	26- Sep- 13
US20130251 746	Methods and Compositions for Poxvirus A35R Protein	East Carolina University	1- Dec- 08	20- Dec- 12	26- Sep- 13
US20130251 734	USE OF TAM RECEPTOR INHIBITORS AS ANTIMICROBIALS	The Salk Institute for Biological Studies	9- Nov- 07	8- Mar- 13	26- Sep- 13
US20130251 590	Peracid/Peroxide Composition, Process for Accurately Making the Same, and Method for Use as an Evaporating Film Anti-Microbial Solution and as a Photosensitizer	BioMed Protect ,LLC	11- Jan- 05	21- Sep- 09	26- Sep- 13
US20130244 980	BORON-CONTAINING SMALL MOLECULES	ANACOR PHARMACEUTICALS, INC.	16- Feb- 05	30- Apr- 13	19- Sep- 13
US20130244 920	WATER SOLUBLE COMPOSITIONS INCORPORATING ENZYMES, AND METHOD OF MAKING SAME	LEE DAVID M	16- Mar- 12	16- Mar- 12	19- Sep- 13
US20130243 841	CONCENTRATION OF VACCINE ANTIGENS WITH LYOPHILIZATION	Novartis AG	1- Jun- 10	1- Jun- 11	19- Sep- 13
US20130243 756	Methods for Treating Diseases and HSV Using Antibodies to Aminophospholipids	BOARD OF REGENTS, THE UNIVERSITY OF TEXAS SYSTEM	15- Jul-02	19- Feb- 13	19- Sep- 13
US20130243 727	TRIAZOLES AS INHIBITORS OF FATTY ACID SYNTHASE	INFINITY PHARMACEUTICALS, INC.	5- May- 10	29- Apr- 13	19- Sep- 13
US20130237 507	Novel Amide Compounds	BURKAMP FRANK	3- Apr- 09	17- Apr- 13	12- Sep- 13
US20130236 884	COMPOSITIONS FOR USE IN IDENTIFICATION OF ORTHOPOXVIRUSES	IBIS BIOSCIENCES, INC.	5- Dec- 03	7- May- 13	12- Sep- 13
US20130236 493	METHODS TO PRODUCE BUNYAVIRUS REPLICON PARTICLES	STICHTING DIENST LANDBOUWKUNDIG ONDERZOEK	20- Sep- 10	20- Sep- 11	12- Sep- 13
US20130236 396	NANOPARTICLES PRODUCED FROM RECOMBINANT POLYMERS AND METHODS OF MAKING AND USING THE SAME	UNIVERSITY OF UTAH RESEARCH FOUNDATION	3- May- 10	3- May- 11	12- Sep- 13
US20130231 302	ANTIMICROBIAL SOLUTIONS	BOARD OF REGENTS, THE UNIVERSITY OF TEXAS SYSTEM	10- Sep- 10	9- Sep- 11	5- Sep- 13
US20130230 919	ANIMAL PROTEIN-FREE MEDIA FOR CULTIVATION OF CELLS	Baxter Healthcare S.A.	29- Oct- 04	16- Apr- 13	5- Sep- 13
US20130230 856	CAPTURE OF TARGET DNA AND RNA BY PROBES COMPRISING INTERCALATOR MOLECULES	QUANTIBACT A/S	27- Oct- 10	27- Oct- 11	5- Sep- 13

US20130230 851	Nanoreporters And Methods Of Manufacturing And Use Thereof	NANOSTRING TECHNOLOGIES, INC.	23- Dec- 05	11- Mar- -13	5- Sep- -13
US20130230 578	LIPIDATED IMMUNE RESPONSE MODIFIER COMPOUND COMPOSITIONS, FORMULATIONS, AND METHODS	3M INNOVATIVE PROPERTIES COMPANY	17- Aug- 10	16- Aug- -11	5- Sep- -13
US20130230 529	NOVEL PARAMYXOVIRUS AND USES THEREOF	The University of Hong Kong	20- Jan- 12	22- Jan- -13	5- Sep- -13
US20130225 655	Combinations of TGFβ and COX-2 Inhibitors and Methods for Their Therapeutic Application	EVANS DAVID	4- May- 10	4- May- -11	29- Aug- -13
US20130225 651	siRNA Compositions and Methods for Potently Inhibiting Viral Infection	The University of Hong Kong	11- Dec- 08	12- Dec- -11	29- Aug- -13
US20130225 637	ISATIN DERIVATIVES, PHARMACEUTICAL COMPOSITIONS THEREOF, AND METHODS OF USE THEREOF	HORNE DAVID A	24- Feb- 12	25- Feb- -13	29- Aug- -13
US20130225 555	Imidazoquinolines with Immuno-Modulating Properties	AstraZeneca AB	8- May- 07	14- Mar- -13	29- Aug- -13
US20130224 245	CONCENTRATION OF VACCINE ANTIGENS WITHOUT LYOPHILIZATION	Novartis AG	1- Jun- 10	1- Jun- -11	29- Aug- -13
US20130224 144	SEQUENTIAL ADMINISTRATION OF A REPLICATION DEFECTIVE ADENOVIRUS VECTOR IN VACCINATION PROTOCOLS	Etubics Corporation	2-Jul- 07	18- Sep- -12	29- Aug- -13
US20130217 584	MICROARRAY-BASED ASSAY INTEGRATED WITH PARTICLES FOR ANALYZING MOLECULAR INTERACTIONS	CapitalBio Corporation	6- Aug- 10	6- Aug- -10	22- Aug- -13
US20130217 071	METHODS AND COMPOSITIONS FOR PERFORMING NUCLEIC ACID AMPLIFICATION REACTIONS	MONTESCLAROS LUZ	30- Dec- 11	21- Dec- -12	22- Aug- -13
US20130217 012	C-CBL MUTATIONS AND USES THEREOF	The University of Chicago	4- Jun- 10	3- Jun- -11	22- Aug- -13
US20130216 612	TARGETED INTRACELLULAR DELIVERY OF ANTIVIRAL AGENTS	BBB HOLDING B V	23- Mar- 07	2- May- -13	22- Aug- -13
US20130216 581	Carbon Nanotube Compositions and Methods of Use Thereof	UNIV YALE	19- Mar- 08	15- Mar- -13	22- Aug- -13
US20130216 573	INFLUENZA VIRUS REASSORTMENT	NOVARTIS AG	21- May- 10	20- May- -11	22- Aug- -13
US20130216 566	Vectors expressing SARS immunogens, compositions containing such vectors or expression products thereof, methods and assays for making and using	ADAMS DANIEL	20- Jun- 03	21- Jun- -04	22- Aug- -13
US20130210 894	APPLICATION OF HIGHLY CONSERVED DOMAIN SEQUENCES FROM VIRAL GENOME AS TEMPLATE TO DESIGN THERAPEUTIC SLIRNAS	CHEN LI	20- Sep- 10	19- Sep- -11	15- Aug- -13
US20130210 820	Pharmaceutical Compounds	ASTEX THERAPEUTICS LIMITED	11- Apr- 08	30- Jan- -13	15- Aug- -13
US20130210 770	PHARMACEUTICAL FORMULATIONS	Anacor Pharmaceuticals, Inc.	16- Feb- 05	12- Apr- -13	15- Aug- -13
US20130209 550	Anti-Viral Azide Containing Compounds	LIFE TECHNOLOGIES CORPORATION	28- Jul- 10	28- Jul- -11	15- Aug- -13
US20130209 510	METHODS FOR PREPARING SQUALENE	Novartis AG	12- May- 10	12- May- -11	15- Aug- -13
US20130209 502	ALUMINA NANOPARTICLE BIOCONJUGATES AND METHODS OF STIMULATING AN IMMUNE RESPONSE USING SAID BIOCONJUGATES	HU HONG-MING	27- Aug- 10	26- Aug- -11	15- Aug- -13
US20130209 406	RECOMBINANT RNA VIRUSES AND USES THEREOF	TENOEVER BENJAMIN R	6- Jun- 10	6- Jun- -11	15- Aug- -13
US20130209 364	Anti-Viral Azide Containing Compounds	LIFE TECHNOLOGIES CORPORATION	28- Jul- 10	28- Jul- -11	15- Aug- -13
US20130203 836	2' AND 5' MODIFIED MONOMERS AND OLIGONUCLEOTIDES	ALNYLAM PHARMACEUTICALS, INC.	1- Apr- 10	31- Mar- -11	8- Aug- -13
US20130203 655	METHODS FOR PREVENTING OR TREATING VIRAL INFECTION	KIELIAN MARGARET	12- Feb- 10	9- Feb- -11	8- Aug- -13
US20130203 151	PRODUCTION OF ALPHAVIRUS REPLICON PARTICLES IN PACKAGING CELLS	BALSITIS SCOTT	26- Apr- 10	26- Apr- -11	8- Aug- -13
US20130202 684	PEGYLATED LIPOSOMES FOR DELIVERY OF IMMUNOGEN ENCODING RNA	Lichtstrasse	31- Aug- 10	31- Aug- -11	8- Aug- -13
US20130202 609	GAS57 MUTANT ANTIGENS AND GAS57 ANTIBODIES	GRANDI GUIDO	12- Sep- 07	14- Mar- -13	8- Aug- -13

US20130202598	ACTIVATABLE TOXIN COMPLEXES COMPRISING A CLEAVABLE INHIBITORY PEPTIDE	RAMOT AT TEL-AVIV UNIVERSITY LTD.	20-Sep-10	22-Aug-11	8-Aug-13
US20130202593	INTRACELLULAR IMMUNITY	MEDICAL RESEARCH COUNCIL	23-Jul-10	23-Jan-13	8-Aug-13
US20130197296	Removing Cells from an Organism	DAPPRICH JOHANNES	13-Jan-12	14-Jan-13	1-Aug-13
US20130196903	Multimeric Inhibitors of Viral Fusion and Uses Thereof	JV BIO SRL	11-Aug-10	11-Aug-11	1-Aug-13
US20130196380	IN VITRO PROCESS FOR THE PREPARATION OF ANTIBODIES OF THE IGG TYPE	JANSEN GABRIELE	5-Feb-10	4-Feb-11	1-Aug-13
US20130195969	SMALL LIPOSOMES FOR DELIVERY OF IMMUNOGEN ENCODING RNA	NOVARTIS AG	31-Aug-10	31-Aug-11	1-Aug-13
US20130195968	VIRION-LIKE DELIVERY PARTICLES FOR SELF-REPLICATING RNA MOLECULES	Novartis AG	6-Jul-10	6-Jul-11	1-Aug-13
US20130195932	ARCHAEL POLAR LIPID AGGREGATES FOR ADMINISTRATION TO ANIMALS	NATIONAL RESEARCH COUNCIL OF CANADA	15-Dec-06	23-Jan-13	1-Aug-13
US20130195930	Inulin and Inulin Acetate Formulations	SOUTH DAKOTA SATE UNIVERSITY	20-Jan-12	22-Jan-13	1-Aug-13
US20130195914	Expression Of Positive Sense Single Stranded RNA Virus And Uses Thereof	Viracine Therapeutics Corporation	12-Apr-10	8-Apr-11	1-Aug-13
US20130195893	USE OF A PNEUMOCOCCAL P4 PEPTIDE FOR ENHANCING OPSONOPHAGOCYTOSIS IN RESPONSE TO A PATHOGEN	The Government of the United States of America as represented by the Secretary of the department of	31-Jul-08	27-Mar-13	1-Aug-13
US20130195792	METHOD OF TREATING INFLAMMATION	CYTOSORBENTS CORPORATION	1-Apr-10	1-Apr-11	1-Aug-13
US20130190494	PURINE ANALOGS	THE REGENTS OF THE UNIVERSITY OF CALIFORNIA	31-May-06	8-Mar-13	25-Jul-13
US20130190381	INHIBITORS OF LONG AND VERY LONG CHAIN FATTY ACID METABOLISM AS BROAD SPECTRUM ANTI-VIRALS	THE TRUSTEES OF PRINCETON UNIVERSITY	18-Feb-10	18-Feb-11	25-Jul-13
US20130190206	Direct Clone Analysis and Selection Technology	Dublin City University	13-Jul-10	13-Jul-11	25-Jul-13
US20130189680	POLYMER STABILIZATION OF CHROMOGEN SOLUTIONS	VENTANA MEDICAL SYSTEMS, INC.	23-Jan-12	18-Jan-13	25-Jul-13
US20130189351	LIPIDS SUITABLE FOR LIPOSOMAL DELIVERY OF PROTEIN CODING RNA	NOVARTIS AG	31-Aug-10	31-Aug-11	25-Jul-13
US20130189311	ARRANGING INTERACTION AND BACK PRESSURE CHAMBERS FOR MICROFLUIDIZATION	Novartis AG	3-Dec-09	3-Dec-10	25-Jul-13
US20130189247	Multimeric Proteins Comprising Immunoglobulin Constant Domains	RESEARCH CORPORATION TECHNOLOGIES, INC.	12-Feb-10	11-Feb-11	25-Jul-13
US20130184170	OLIGONUCLEOTIDE AMPLIFICATION PRIMERS FOR TARGETING ONCOGENIC HPV	GENERA BIOSYSTEMS LIMITED	5-Apr-07	4-Jun-12	18-Jul-13
US20130183670	METHOD FOR PRODUCING NUCLEIC ACID PROBES	Ventana Medical Systems, Inc.	1-Sep-06	11-Mar-13	18-Jul-13
US20130183355	DELIVERY OF SELF-REPLICATING RNA USING BIODEGRADABLE POLYMER PARTICLES	NOVARTIS AG	6-Jul-10	7-Jun-11	18-Jul-13
US20130183341	INFLUENZA VIRUS-LIKE PARTICLES (VLPS) COMPRISING HEMAGGLUTININ PRODUCED WITHIN A PLANT	MEDICAGO INC.	13-Jul-07	4-Jan-13	18-Jul-13
US20130183321	GITR BINDING MOLECULES AND USES THEREFOR	GITR, INC.	25-Mar-05	1-Mar-13	18-Jul-13
US20130178512	CARBOHYDRATE CONJUGATES AS DELIVERY AGENTS FOR OLIGONUCLEOTIDES	ALNYLAM PHARMACEUTICALS, INC	4-Dec-07	4-Dec-12	11-Jul-13
US20130178482	3,5-DIAMINO-6-CHLORO-N-(N-(4-(4-(2-(HEXYL(2,3,4,5,6-PENTAHYDROXYHEXYL)AMINO)ETHOXY)PHENYL)BUTYL)CARBAMIMIDOYL)PYRAZINE-2-CARBOXAMIDE	Parion Sciences, Inc.	27-Jun-11	26-Jun-12	11-Jul-13
US20130178466	Treatment of Microbial Infections	BIOCOPEA LIMITED	11-Nov-09	9-Nov-10	11-Jul-13
US20130178448	Treatment of Respiratory Disorders	BANNISTER ROBIN MARK	5-Feb-10	4-Feb-11	11-Jul-13

US20130178 383	VESICLE ISOLATION METHODS	KLASS MICHAEL	12- Nov- 08	29- Aug- 12	11- Jul- 13
US20130178 372	Methods And Computer Systems For Identifying Target-Specific Sequences For Use In Nanoreporters	NANOSTRING TECHNOLOGIES, INC.	10- Apr- 07	7- Mar- 13	11- Jul- 13
US20130177 640	DELIVERY OF RNA TO DIFFERENT CELL TYPES	NOVARTIS AG	6-Jul- 10	7- Jun- 11	11- Jul- 13
US20130177 639	DELIVERY OF RNA TO TRIGGER MULTIPLE IMMUNE PATHWAYS	NOVARTIS AG	6-Jul- 10	6- Jul- 11	11- Jul- 13
US20130177 477	DECONTAMINANT DISPENSER SUITABLE FOR USE AS A PROJECTILE	STERIS INC.	6- Mar- 07	28- Feb- 13	11- Jul- 13
US20130172 327	SUBSTITUTED N- [1-CYANO-2- (PHENYL) ETHYL] -2-AZABICYCLO [2.2.1] HEPTANE-3-CARBOXAMIDE INHIBITORS OF CATHEPSIN C	BOEHRINGER INGELHEIM INTERNATIONAL GMBH	19- Sep- 11	14- Sep- 12	4- Jul- 13
US20130171 241	LIPOSOMES WITH LIPIDS HAVING AN ADVANTAGEOUS PKA-VALUE FOR RNA DELIVERY	NOVARTIS AG	6-Jul- 10	6- Jul- 11	4- Jul- 13
US20130171 129	CONSTRAINED IMMUNOGENIC COMPOSITIONS AND USES THEREFOR	COULIBALY FASSELLI JOSEPH	23- Jun- 10	23- Jun- 11	4- Jul- 13
US20130165 455	TLR AGONISTS	The Regents of The University of California	22- Aug- 05	20- Nov- 12	27- Jun- 13
US20130165 417	METHODS AND COMPOSITIONS FOR TREATING ACE2-RELATED DISORDERS	UNIVERSITY OF FLORIDA RESEARCH FOUNDATION	23- Apr- 10	23- Apr- 11	27- Jun- 13
US20130157 964	Blockade Of Inflammatory Proteases With Cyclic Peptides	THE REGENTS OF THE UNIVERSITY OF CALIFORNIA	2- Jun- 11	1- Jun- 12	20- Jun- 13
US20130157 876	Systems and Methods for Detecting Antibiotic Resistance	TESSARAE, LLC	21- Aug- 10	21- Feb- 13	20- Jun- 13
US20130157 283	RAPID PATHOGEN DIAGNOSTIC DEVICE AND METHOD	PRESIDENT AND FELLOWS OF HARVARD COLLEGE	19- Jan- 10	19- Jan- 11	20- Jun- 13
US20130157 254	Method and apparatus for two-step surface-enhanced raman spectroscopy	Real-Time Analyzers, Inc.	16- Dec- 11	16- Dec- 11	20- Jun- 13
US20130156 807	CONJUGATES OF SYNTHETIC TLR AGONISTS AND USES THEREFOR	The Regents of The University of California	7- Feb- 07	8- Jan- 13	20- Jun- 13
US20130149 375	IMMUNISATION OF LARGE MAMMALS WITH LOW DOSES OF RNA	GEALL ANDREW	6-Jul- 10	6- Jul- 11	13- Jun- 13
US20130149 194	ORGANIC PEROXIDE COMPOUNDS FOR MICROORGANISM INACTIVATION	GREGERSEN JENS PETER	6- May- 10	6- May- 11	13- Jun- 13
US20130145 484	ANTIBODY PRODUCING NON-HUMAN MAMMALS	MERUS B.V.	27- Jun- 08	25- Jan- 13	6- Jun- 13
US20130143 810	Virally-Inactivated Growth Factors-Containing Platelet Lysate Depleted of PDGF and VEGF and Preparation Method Thereof	BURNOUF THIERRY	25- May- 10	26- Nov- 12	6- Jun- 13
US20130143 203	COMPOSITIONS FOR USE IN IDENTIFICATION OF ADVENTITIOUS VIRUSES	IBIS BIOSCIENCES, INC.	3- Mar- 05	21- May- 12	6- Jun- 13
US20130142 833	CIRCULATION OF COMPONENTS DURING HOMOGENIZATION OF EMULSIONS	Novartis AG	3- Dec- 09	3- Dec- 10	6- Jun- 13
US20130142 826	RECOMBINANT INFLUENZA VIRUS-LIKE PARTICLES (VLPS) PRODUCED IN TRANSGENIC PLANTS EXPRESSING HEMAGGLUTININ	MEDICAGO, INC.	21- Jan- 08	23- Jan- 13	6- Jun- 13
US20130142 773	Mutations in OAS1 Genes	KINETA TWO, LLC	4- May- 05	14- Nov- 12	6- Jun- 13
US20130137 678	Antiviral Compounds and Uses Thereof	MOUNT SINAI SCHOOL OF MEDICINE	28- May- 10	31- May- 11	30- May- 13
US20130137 172	HIGH DENSITY SELF-CONTAINED BIOLOGICAL ANALYSIS	BioFire Diagnostics, Inc. f/k/a Idaho Technology, Inc.	15- May- 09	28- Jan- 13	30- May- 13
US20130137 140	INCREASED PROTEIN EXPRESSION THROUGH INCREASED MEMBRANE FORMATION	UNIVERSITEIT GENT	17- Jun- 10	15- Jun- 11	30- May- 13
US20130136 768	Recombinant HCMV and RHCMV vectors and uses thereof	Oregon Health & Science University	14- May- 10	14- Nov- 12	30- May- 13
US20130130 262	SAMPLE-TO-ANSWER MICROFLUIDIC CARTRIDGE	BATTRELL C FREDERICK	29- Jan- 10	28- Jan- 11	23- May- 13

US20130129 805	COMPOSITION WITH STERILIZING ACTIVITY AGAINST BACTERIA, FUNGUS AND VIRUSES, APPLICATION THEREOF AND METHOD FOR PREPARATION THEREOF	GP&E	18- Nov- 11	18- Nov- 11	23- May- 13
US20130129 786	HYDROPHILIC FILTRATION DURING MANUFACTURE OF VACCINE ADJUVANTS	Novartis AG	3- Dec- 09	3- Dec- 10	23- May- 13
US20130129 782	DECREASING POTENTIAL IATROGENIC RISKS ASSOCIATED WITH INFLUENZA VACCINES	NOVARTIS AG	9- Sep- 04	11- Jan- 13	23- May- 13
US20130129 781	METHODS AND COMPOSITIONS FOR INTRANASAL DELIVERY	HARUTA SHUNJI	15- Apr- 10	15- Apr- 11	23- May- 13
US20130129 702	MATERIALS AND METHODS FOR PREVENTION AND TREATMENT OF RNA VIRAL DISEASES	UNIVERSITY OF SOUTH FLORIDA	30- Apr- 02	17- Sep- 12	23- May- 13
US20130122 581	TAL EFFECTOR-MEDIATED DNA MODIFICATION	IOWA STATE UNIVERSITY RESEARCH FOUNDATION, INC.	10- Dec- 09	10- Jan- 13	16- May- 13
US20130122 516	DETECTING TARGETS USING MASS TAGS AND MASS SPECTROMETRY	BIENIARZ CHRISTOPHER	2-Jul- 10	1- Jul- 11	16- May- 13
US20130122 487	DECREASING POTENTIAL IATROGENIC RISKS ASSOCIATED WITH INFLUENZA VACCINES	Novartis AG	9- Sep- 04	10- Jan- 13	16- May- 13
US20130122 043	MODIFIED POLYPEPTIDES AND PROTEINS AND USES THEREOF	WHITEHEAD INSTITUTE FOR BIOMEDICAL RESEARCH	20- Apr- 10	20- Apr- 11	16- May- 13
US20130122 038	HETEROLOGOUS PRIME-BOOST IMMUNIZATION USING MEASLES VIRUS-BASED VACCINES	Crucell Holland B.V.	14- Nov- 11	13- Nov- 12	16- May- 13
US20130122 031	HMGB1-DERIVED PEPTIDES ENHANCE IMMUNE RESPONSE TO ANTIGENS	MESSMER DAVORKA	27- Jul- 10	27- Jul- 11	16- May- 13
US20130115 593	SUBSTRATES FOR CHROMOGENIC DETECTION AND METHODS OF USE IN DETECTION ASSAYS AND KITS	Ventana Medical Systems, Inc.	16- Aug- 10	12- Aug- 11	9- May- 13
US20130115 244	Immunogenic Substances Comprising a Polyinosinic Acid - Polycytidilic Acid Based Adjuvant	Yisheng Biopharma (Singapore) PTE. LTD.	13- Jan- 06	1- Oct- 12	9- May- 13
US20130115 228	IMMUNOSTIMULATORY COMBINATIONS	TRUSTEES OF DARTMOUTH COLLEGE	30- Dec- 02	22- Oct- 12	9- May- 13
US20130115 215	DOMAIN INSERTION IMMUNOGLOBULIN	ZHOU HONGXING	14- Jul- 10	14- Jul- 11	9- May- 13
US20130102 652	METHODS AND COMPOSITIONS RELATED TO MODIFIED ADENOSINES FOR CONTROLLING OFF-TARGET EFFECTS IN RNA INTERFERENCE	UNIVERSITY OF UTAH RESEARCH FOUNDATION	23- Mar- 10	23- Mar- 11	25- Apr- 13
US20130102 560	NUTRITIONAL COMPOSITION COMPRISING IMMUNOGLOBULINS AND OLIGOSACCHARIDES	N.V. NUTRICIA	24- Aug- 04	14- Sep- 12	25- Apr- 13
US20130102 524	Compounds And Their Use	Novabiotics Limited	31- Mar- 10	30- Mar- 11	25- Apr- 13
US20130101 629	HOMOGENOUS SUSPENSION OF IMMUNOPOTENTIATING COMPOUNDS AND USES THEREOF	NOVARTIS AG	15- Dec- 09	15- Dec- 10	25- Apr- 13
US20130101 622	IMIDAZOQUINOXALINE COMPOUNDS AS IMMUNOMODULATORS	Novartis AG	23- Mar- 06	7- May- 12	25- Apr- 13
US20130101 609	IRRADIATED BIODEGRADABLE POLYMER MICROPARTICLES	NOVARTIS AG	24- Jan- 10	24- Jan- 11	25- Apr- 13
US20130096 103	IMIDAZOQUINOLINE COMPOUNDS	NOVARTIS VACCINES & DIAGNOSTICS, INC.	14- Sep- 04	19- Jun- 12	18- Apr- 13
US20130096 073	Casein Derived Peptides And Uses Thereof	SIDELMAN ZVI	1- Mar- 00	5- Sep- 12	18- Apr- 13
US20130096 056	AMINOTHIAZOLE DERIVATIVES AS HUMAN STEAROYL-COA DESATURASE INHIBITORS	XENON PHARMACEUTICALS INC.	3- Jun- 05	14- Sep- 12	18- Apr- 13
US20130096 020	GENERATION OF BINDING MOLECULES	MERUS BIOPHARMACEUTICALS B.V.	26- Sep- 11	26- Sep- 12	18- Apr- 13
US20130095 552	NOROVIRUS AND SAPOVIRUS ANTIGENS	Novartis Vaccines and Diagnostics, Inc.	22- Nov- 05	27- Nov- 12	18- Apr- 13
US20130095 135	PROCESS FOR REMOVING ADVENTITIOUS AGENTS DURING THE PRODUCTION OF A VIRUS IN CELL CULTURE	GlaxoSmithKline Biologicals S.A.	8-Jul- 10	6- Jul- 11	18- Apr- 13
US20130091 611	Anti-viral Formulations Nanomaterials and Nanoparticles	LAMBKIN-WILLIAMS ROBERT	16- Feb- 06	30- Nov- 12	18- Apr- 13

US20130087 700	DIRECT IMPACT IONIZATION (DII) MASS SPECTROMETRY	Services, National Institutes of Health	11- Oct- 11	11- Oct- 11	11- Apr- 13
US20130085 095	PROTEIN COMPLEMENTATION REGULATORS	Trustees of Boston University	29- Sep- 11	28- Sep- 12	4- Apr- 13
US20130084 303	PEPTIDES SHARED AMONG LETHAL CANCERS AND THERAPEUTIC COMPOSITIONS COMPRISING SAID PEPTIDES	BOGOCH ELENORE S	7- Aug- 09	19- Jul- 12	4- Apr- 13
US20130071 428	PEPTIDES, CONJUGATES AND METHOD FOR INCREASING IMMUNOGENICITY OF A VACCINE	ACADEMISCH ZIEKENHUIS LEIDEN H.O.D.N. LUMC	15- Mar- 10	15- Mar- 11	21- Mar- 13
US20130059 846	COMPOUNDS AND COMPOSITIONS AS C-KIT KINASE INHIBITORS	IRM LLC	1- Sep- 11	27- Aug- 12	7- Mar- 13
US20130059 832	COMPOUNDS AND COMPOSITIONS AS C-KIT KINASE INHIBITORS	IRM LLC	1- Sep- 11	29- Aug- 12	7- Mar- 13
US20130059 803	BORON-CONTAINING SMALL MOLECULES	Anacor Pharmaceuticals, Inc.	16- Feb- 05	7- Sep- 12	7- Mar- 13
US20130059 802	BORON-CONTAINING SMALL MOLECULES	Anacor Pharmaceuticals, Inc.	16- Feb- 05	7- Sep- 12	7- Mar- 13
US20130059 776	Antiviral Cell-Penetrating Peptides	CURRELI FRANCESCA	6- May- 08	31- Oct- 12	7- Mar- 13
US20130058 945	Antigenic GM-CSF Peptides and Antibodies to GM-CSF	CHAO QIMIN	8- Feb- 06	24- Oct- 12	7- Mar- 13
US20110070 575	Immunomodulatory Compositions, Combinations and Methods	Coley Pharmaceutical Group, Inc.	8- Dec- 04	8- Dec- 05	24- Mar- 11
US20110067 121	Transgenic mice having a human major histocompatibility complex (MHC) phenotype, experimental uses and applications	INSTITUT PASTEUR	30- Jul-03	22- Dec- 09	17- Mar- 11
US20110065 111	Compositions For Use In Genotyping Of Klebsiella Pneumoniae	Ibis Biosciences, Inc.	31- Aug- 09	27- Aug- 10	17- Mar- 11
US20110065 091	Coronavirus, Nucleic Acid, Protein, and Methods for the Generation of Vaccine, Medicaments and Diagnostics	VAN DER HOEK CORNELIA MARIA	18- Aug- 03	26- Jul- 10	17- Mar- 11
US20110065 089	NOVEL STRAIN OF SARS-ASSOCIATED CORONAVIRUS AND APPLICATIONS THEREOF	CENTRE NATIONAL DE LA RECHERCHE SCIENTIFIQUE	2- Dec- 03	6- Apr- 10	17- Mar- 11
US20110064 772	VIRAL ADJUVANTS	University of North Carolina at Chapel Hill	9-Jul-04	24- Nov- 10	17- Mar- 11
US20110053 986	RESPIRATORY DISEASE TREATMENT	FINCH HARRY	7- Aug- 08	4- Aug- 10	3- Mar- 11
US20110053 909	Compounds - 801	ALCARAZ LILIAN	31- Jul-09	30- Jul- 10	3- Mar- 11
US20110053 894	Broad Spectrum Antiviral and Methods of Use	LOVELACE RESPIRATORY RESEARCH INSTITUTE	17- Apr- 06	17- Apr- 07	3- Mar- 11
US20110053 893	COMPOUNDS AND COMPOSITIONS AS TLR ACTIVITY MODULATORS	IRM LLC	2- Sep- 09	1- Sep- 10	3- Mar- 11
US20110053 831	COMPOSITIONS AND USES THEREOF FOR THE TREATMENT OF ACUTE RESPIRATORY DISTRESS SYNDROME (ARDS) AND CLINICAL DISORDERS ASSOCIATED WITH THEREWITH	Phylogica Limited	20- Jun- 07	20- Jun- 08	3- Mar- 11
US20110053 169	METHOD FOR CONTINUOUS MODE PROCESSING OF THE CONTENTS OF MULTIPLE REACTION RECEPTACLES IN A REAL-TIME AMPLIFICATION ASSAY	GEN-PROBE INCORPORATED	10- Mar- 05	4- Nov- 10	3- Mar- 11
US20110052 716	Adjuvant Comprising Aluminum, Oligonucleotide and Polycation	O'HAGAN DEREK	27- Aug- 09	27- Aug- 10	3- Mar- 11
US20110052 558	MATERIALS AND METHODS FOR PREVENTION AND TREATMENT OF RNA VIRAL DISEASES	UNIVERSITY OF SOUTH FLORIDA	30- Apr- 02	15- Dec- 09	3- Mar- 11
US20110046 155	HYDROBENZAMIDE DERIVATIVES AS INHIBITORS OF HSP90	FREDERICKSON MARTYN	12- Oct- 06	12- Oct- 07	24- Feb- 11
US20110046 134	NOVEL PIPERAZINE DERIVATIVES AS INHIBITORS OF STEAROYL-CoA DESATURASE	BISCHOFF ALEXANDER	21- Jun- 07	29- Oct- 10	24- Feb- 11
US20110046 001	Multiplex Assay for Respiratory Viruses	AUTOGENOMICS, INC.	20- Nov- 07	20- Nov- 08	24- Feb- 11
US20110045 456	COMPOSITIONS FOR USE IN IDENTIFICATION OF ADVENTITIOUS CONTAMINANT VIRUSES	IBIS BIOSCIENCES, INC.	14- Jun- 07	12- Jun- 08	24- Feb- 11



US20110045 024	RNA VIRUS VACCINES AND METHODS	DITTMER DIRK P	14- Dec- 05	2- Aug- 10	24- Feb- 11
US20110045 022	VACCINES INCLUDING ANTIGEN FROM FOUR STRAINS OF INFLUENZA VIRUS	TSAI THEODORE	6- Dec- 06	5- Dec- 07	24- Feb- 11
US20110039 884	Imidazopyridinones	Pfizer Limited	3- Aug- 07	28- Oct- 10	17- Feb- 11
US20110038 935	ANTIBODIES AGAINST INFLUENZA VIRUS AND METHODS OF USE THEREOF	LIDDINGTON ROBERT C	6- Dec- 07	8- Dec- 08	17- Feb- 11
US20110038 900	NANOPARTICLES FOR USE IN PHARMACEUTICAL COMPOSITIONS	NOVARTIS AG	28- Apr- 08	28- Apr- 09	17- Feb- 11
US20110038 884	IMMUNOPOTENTIATING AGENT COMPRISING EP1 AGONIST	NATIONAL UNIVERSITY CO., HAMAMATSU UNIVER. SCHOOL OF MEDICINE	28- Apr- 08	27- Apr- 09	17- Feb- 11
US20110038 879	IMMUNOGENIC AND THERAPEUTIC COMPOSITIONS FOR STREPTOCOCCUS PYOGENES	NOVARTIS AG	30- Oct- 06	30- Oct- 07	17- Feb- 11
US20110038 852	ANTIVIRALS THAT TARGET TRANSPORTERS, CARRIERS, AND ION CHANNELS	3-V BIOSCIENCES, INC.	10- Jun- 09	9- Jun- 10	17- Feb- 11
US20110038 849	INHIBITORY POLYNUCLEOTIDE COMPOSITIONS AND METHODS FOR TREATING CANCER	Intradigm Corporation	21- Dec- 06	21- Dec- 06	17- Feb- 11
US20110034 438	STRUCTURAL MIMETICS OF PROLINE-RICH PEPTIDES AND THE PHARMACEUTICAL USE THEREOF	FORSCHUNGSVERBUND BERLIN E.V.	25- Sep- 06	25- Sep- 07	10- Feb- 11
US20110033 498	METHODS OF PREVENTING AND TREATING VIRAL INFECTIONS BY INHIBITING THE DeISGLYLATION ACTIVITY OF OTU DOMAIN-CONTAINING VIRAL PROTEINS	FRIAS-STACHELI NATALIA	5- Apr- 07	7- Apr- 08	10- Feb- 11
US20110033 485	ANALOGUES OF GLYCOLIPIDS USEFUL AS IMMUNOADJUVANTS	PANZA LUIGI	12- Oct- 07	10- Oct- 08	10- Feb- 11
US20110033 454	Methods For Treating Diseases Using Antibodies to Aminophospholipids	Board of Regents, The University of Texas System	15- Jul-02	26- Aug- 10	10- Feb- 11
US20110028 945	Device including altered microorganisms, and methods and systems of use	Searete LLC,	14- Dec- 05	28- May- 10	3- Feb- 11
US20110028 715	NOVEL ADENINE COMPOUND	AstraZeneca Aktiebolag	20- Mar- 07	14- Oct- 10	3- Feb- 11
US20110028 531	NOVEL SIRNA COMPOUNDS FOR INHIBITING RTP801	FEINSTEIN ELENA	20- Mar- 08	17- Mar- 09	3- Feb- 11
US20110028 334	CAPTURE PRIMERS AND CAPTURE SEQUENCE LINKED SOLID SUPPORTS FOR MOLECULAR DIAGNOSTIC TESTS	IBIS BIOSCIENCES, INC.	31- Jul-09	30- Jul- 10	3- Feb- 11
US20110027 315	PROTEIN CAGES AND THEIR USES	DOUGLAS TREVOR	7- Sep- 07	5- Sep- 08	3- Feb- 11
US20110027 314	Influenza Vaccines Containing Hemagglutinin and Matrix Proteins	NOVARTIS VACCINES AND DIAGNOSTICS GMBH & CO. KG	27- Jan- 06	26- Jan- 07	3- Feb- 11
US20110027 306	TC-83-Derived Alphavirus Vectors, Particles and Methods	AlphaVax, Inc.	18- May- 04	6- Jul- 10	3- Feb- 11
US20110027 267	Fusion Proteins of Mannose Binding Lectins for Treatment of Disease	ANAPHORE, INC.	9- Nov- 07	10- Nov- 08	3- Feb- 11
US20110027 257	CLOTTABLE CONCENTRATE OF PLATELET GROWTH FACTORS AND PREPARATION METHOD THEREOF	GWO REI BIOMEDICAL TECHNOLOGY CORPORATION	7- Jan- 08	7- Jan- 09	3- Feb- 11
US20110027 228	USES OF INTERFERONS WITH ALTERED SPATIAL STRUCTURE	WEI GUANGWEN	28- Aug- 03	15- Oct- 10	3- Feb- 11
US20110027 181	Device including altered microorganisms, and methods and systems of use	Searete LLC	14- Dec- 05	28- May- 10	3- Feb- 11
US20110021 861	HAZARDOUS SUBSTANCE-REMOVING MATERIAL	KOSUGI TAKUJI	25- Mar- 08	23- Mar- 09	27- Jan- 11
US20110021 606	RNAi Modulation of RSV, PIV and Other Respiratory Viruses and Uses Thereof	SOUTH ALABAMA MEDICAL SCIENCE FOUNDATION	22- Oct- 04	23- Jul- 10	27- Jan- 11
US20110021 554	IMMUNE RESPONSE MODIFIER FORMULATIONS AND METHODS	GUY CYNTHIA A	30- Dec- 04	29- Sep- 10	27- Jan- 11
US20110021 415	ANTIMICROBIAL PEPTIDES	NOVABIOTICS LIMITED	18- Aug- 04	29- Sep- 10	27- Jan- 11
US20110020 897	RNA-DEPENDENT DNA POLYMERASE FROM GEOBACILLUS STEAROTHERMOPHILUS	LAMPSON BERT C	10- Mar- 04	1- Mar- 10	27- Jan- 11

US20110020315	TREATMENT OF INFLAMMATORY ILLNESSES WITH ACE2	LOIBNER HANS	18-Dec-07	18-Dec-08	27-Jan-11
US20110009414	HETEROCYCLIC DERIVATIVES AND THEIR USE AS THERAPEUTIC AGENTS	Xenon Pharmaceuticals Inc.	20-Sep-04	6-May-09	13-Jan-11
US20110008905	SYSTEM FOR DETECTING POLYNUCLEOTIDES	INVESTIGEN	20-May-03	9-Jun-10	13-Jan-11
US20110008838	CHIMERIC VARICELLA ZOSTER VIRUS VIRUS-LIKE PARTICLES	PUSHKO PETER	19-Jul-07	21-Jul-08	13-Jan-11
US20110008395	MIXED MICELLES INCLUDING AMPHIPATHIC CONJUGATES OF RNA AGENTS, AND USES THEREOF	LEVCHENKO TATYANA S	6-Jul-07	7-Jul-08	13-Jan-11
US20110008384	Antiviral activity from medicinal mushrooms	STAMETS PAUL EDWARD	6-Jan-04	27-Mar-07	13-Jan-11
US20110008283	INTERFERON FUSION PROTEINS	ARTYMIUK PETER	8-Aug-07	5-Aug-08	13-Jan-11
US20110008280	METHODS FOR TREATING VIRAL INFECTION USING IL-28 AND IL-29 CYSTEINE MUTANTS	ZymoGenetics, Inc.	2-Apr-04	20-May-10	13-Jan-11
US20110003890	USE OF ANGIOGENESIS ANTAGONISTS IN CONDITIONS OF ABNORMAL VENOUS PROLIFERATION	KENNEDY THOMAS P	8-Nov-07	10-Nov-08	6-Jan-11
US20110003315	CHIMERIC PCSK9 PROTEINS, CELLS COMPRISING SAME, AND ASSAYS USING SAME	INSTITUT DE RECHERCHES CLINIQUES DE MONTREAL	8-May-06	8-May-07	6-Jan-11
US20110002958	Alphavirus Vectors for Respiratory Pathogen Vaccines	NOVARTIS VACCINES AND DIAGNOSTICS, INC.	21-May-04	1-Jun-10	6-Jan-11
US20110002946	Immunostimulatory Combinations	AHONEN CORY L	30-Dec-02	29-Jul-10	6-Jan-11
US20110002888	Albumin Fusion Proteins	Human Gemone Sciences, Inc.	21-Dec-01	3-Jun-10	6-Jan-11
US20110000480	ADMINISTRATION OF INTERFERON FOR PROPHYLAXIS AGAINST OR TREATMENT OF PATHOGENIC INFECTION	ENNIS JANE E	9-Jun-09	9-Jun-10	6-Jan-11
US20100330592	METHOD FOR DETECTING TRUNCATED MOLECULES	KEY MARC E	29-Jan-08	29-Jan-09	30-Dec-10
US20100330190	IMMUNOGENIC COMPOSITIONS AND METHODS OF USE THEREOF	BOZIA JADRANKA	17-Dec-07	17-Dec-08	30-Dec-10
US20100330141	PRODUCT FOR ABSORPTION PURPOSES	HJERTEN MARIE-CHRISTINE	13-Jun-03	13-Sep-10	30-Dec-10
US20100330140	DEVICES AND METHODS FOR DECREASING HUMAN PATHOGEN TRANSMISSION	FILLIGENT LIMITED	26-Jun-07	25-Jun-08	30-Dec-10
US20100330122	VARICELLA ZOSTER VIRUS VIRUS-LIKE PARTICLES (VLPs) AND ANTIGENS	PUSHKO PETER	19-Jul-07	21-Jul-08	30-Dec-10
US20100330114	Use of SIRT1 Activators or Inhibitors to Modulate an Immune Response	KWON HYE-SOOK	7-Feb-08	16-Jul-10	30-Dec-10
US20100330075	MONOCLONAL HUMAN TUMOR-SPECIFIC ANTIBODY	ABELA IRENE	13-Mar-07	13-Mar-08	30-Dec-10
US20100329971	NOVEL HYDROXY RADICAL GENERATION METHOD, AND ANTI-VIRAL MATERIAL UTILIZING HYDROXYL RADICAL GENERATED BY THE METHOD	MOCHIGASE CO., LTD.	8-Feb-08	9-Feb-09	30-Dec-10
US20100319074	MULTI-TARGETED RNAI THERAPEUTICS FOR SCARLESS WOUND HEALING OF SKIN	SIR NAOMICS, INC.	6-Nov-07	6-Nov-08	16-Dec-10
US20100317684	Amide and Carbamate Derivatives of N-{2-[4-Amino-2-(Ethoxymethyl)-1H-Imidazo[4,5-c] Quinolin-1-Yl]-1,1-Dimethylethyl} Methanesulfonamide and Methods	Coley Pharmaceutical Group, Inc.	9-Sep-05	8-Sep-06	16-Dec-10
US20100317601	Casein Derived Peptides And Uses Thereof	SIDELMAN ZVI	1-Mar-00	28-Jul-10	16-Dec-10
US20100317054	PORCINE DC-SIGN, ICAM-3 AND LSECtin AND USES THEREOF	VIRGINIA TECH INTELLECTUAL PROPERTIES, INC.	29-Oct-07	29-Oct-08	16-Dec-10
US20100317034	PRIMATE T-LYMPHOTROPIC VIRUSES	and Johns Hopkins University	21-Feb-05	1-Jul-10	16-Dec-10
US20100316695	CONDENSATION PRODUCTS BASED ON BICYCLIC OR POLYCYCLIC AROMATICS OR HETEROAROMATICS	BASF SE	14-Nov-07	11-Nov-08	16-Dec-10
US20100316641	ENGINEERED ANTIBODY CONSTANT DOMAIN MOLECULES	DIMITROV DIMITER S	31-Jan-08	30-Jan-09	16-Dec-10

US20100316 624	TREATMENT OF FIBROSES AND LIVER DISORDERS	LOIBNER HANS	21- Dec- 07	22- Dec- 08	16- Dec- 10
US20100311 797	Novel Compounds	BONNERT ROGER VICTOR	26- May- 06	2- Jun- 10	9- Dec- 10
US20100311 656	TREATMENT OR PREVENTION OF RESPIRATORY VIRAL INFECTIONS WITH ALPHA THYMOSIN PEPTIDES	SciClone Pharmaceuticals, Inc.	23- Apr- 03	16- Jun- 10	9- Dec- 10
US20100311 039	NON-TARGET AMPLIFICATION METHOD FOR DETECTION OF RNA SPLICE-FORMS IN A SAMPLE	QIAGEN GAITHERSBURG INC.	1- May- 09	30- Apr- 10	9- Dec- 10
US20100310 638	LIPOSOMES COMPRISING DURAMYCIN AND ANTI-VIRAL AGENTS	Board of Regents, The University of Texas System	15- Jul-02	4- Mar- 10	9- Dec- 10
US20100310 604	RECOMBINANT INFLUENZA VIRUS-LIKE PARTICLES (VLPS) PRODUCED IN TRANSGENIC PLANTS EXPRESSING HEMAGGLUTININ	MEDICAGO INC.	21- Jan- 08	12- Jan- 09	9- Dec- 10
US20100310 562	SYSTEM FOR DELIVERY INTO XCR1 POSITIVE CELL AND USES THEREOF	Bundesrepublik Deutschland letztvertreten durch das Robert Koch-Institut vertreten durch seinen	20- Nov- 07	19- Nov- 08	9- Dec- 10
US20100305 138	PYRIDYL DERIVATIVES AND THEIR USE AS THERAPEUTIC AGENTS	XENON PHARMACEUTICALS INC.	29- Jul-03	15- Jun- 10	2- Dec- 10
US20100304 363	PEPTIDE COMPOUNDS FOR DETECTING OR INHIBITING SARS CORONAVIRUS AND APPLICATION THEREOF	ELECTRONICS AND TELECOMMUNICATIONS RESEARCH INSTITUTE	27- May- 09	26- May- 10	2- Dec- 10
US20100304 361	METHOD AND DEVICE FOR MONITORING A THERAPEUTIC TREATMENT REGIME	DAS DEVELOPMENT PARTNERS	26- Jul-07	28- Jul- 08	2- Dec- 10
US20100303 823	HUMAN MONOCLONAL ANTIBODIES AGAINST INTERLEUKIN 8 (IL-8)	GENMAB A/S	16- Dec- 02	11- Nov- 09	2- Dec- 10
US20100298 547	METHODS FOR THE DIRECTED EXPANSION OF EPITOPES FOR USE AS ANTIBODY LIGANDS	BONNIN DUSTAN	7- May- 07	7- May- 08	25- Nov- 10
US20100298 364	SALTS 756	AstraZeneca AB	21- May- 09	20- May- 10	25- Nov- 10
US20100298 209	COMPOUNDS FOR PREVENTING OR TREATING A VIRAL INFECTION	ESTAQUIER JEROME	2- Nov- 07	31- Oct- 08	25- Nov- 10
US20100297 651	Methods of Modulating Vesicular Trafficking	THE GENERAL HOSPITAL CORPORATION	21- May- 09	21- May- 10	25- Nov- 10
US20100297 165	IMMUNOSTIMULATORY COMBINATIONS OF TLR LIGANDS AND METHODS OF USE	Office of Technology Transfer	24- Sep- 07	24- Sep- 08	25- Nov- 10
US20100297 108	METHOD OF PROVIDING PATIENT SPECIFIC IMMUNE RESPONSE IN AMYLOIDOSES AND PROTEIN AGGREGATION DISORDERS	GRIMM JAN	31- Aug- 07	1- Sep- 08	25- Nov- 10
US20100292 504	BORON-CONTAINING SMALL MOLECULES	Anacor Pharmaceuticals, Inc.	20- Jun- 07	30- Jul- 10	18- Nov- 10
US20100292 307	Construct	ISIS INNOVATION LIMITED	28- Mar- 06	28- Mar- 07	18- Nov- 10
US20100291 544	COMPOSITIONS FOR USE IN IDENTIFICATION OF STRAINS OF HEPATITIS C VIRUS	IBIS BIOSCIENCES, INC.	25- May- 07	27- May- 08	18- Nov- 10
US20100291 145	Ii-KEY/ANTIGENIC EPITOPE HYBRID PEPTIDE VACCINES	ANTIGEN EXPRESS, INC.	14- Sep- 99	26- Jul- 10	18- Nov- 10
US20100291 129	Norovirus and sapovirus antigens	COIT DORIS	22- Nov- 05	24- Mar- 09	18- Nov- 10
US20100291 120	PEPTIDES REGULATING THE SURFACE EXPRESSION OF THE T CELL RECEPTOR	MAX-DELBRUCK-CENTRUM FUR MOLEKULARE MEDIZIN	23- Jun- 06	23- Jun- 07	18- Nov- 10
US20100291 075	Granulocyte-Macrophage Colony-Stimulating Factor (GM-CSF) Neutralizing Antibodies	Theraclone Sciences, Inc.	23- Apr- 09	23- Apr- 10	18- Nov- 10
US20100291 033	Albumin Fusion Proteins	Human Genome Sciences, Inc.	21- Dec- 01	3- Jun- 10	18- Nov- 10
US20100286 251	Mammalian Genes Involved In Viral Infection And Tumor Suppression	RUBIN DONALD H	11- Oct- 06	5- Mar- 10	11- Nov- 10
US20100286 238	SUPPRESSION OF VIRUSES INVOLVED IN RESPIRATORY INFECTION OR DISEASE	ARNDT GREGORY MARTIN	15- May- 07	14- May- 08	11- Nov- 10
US20100286 118	SUBSTITUTED 1-CYANOETHYLHETEROCYCLYL CARBOXAMIDE COMPOUNDS 750	FORD RHONAN	7- May- 09	6- May- 10	11- Nov- 10
US20100286 025	SYNTHETIC APOLIPOPROTEIN E MIMICKING POLYPEPTIDES AND METHODS OF USE	ANANTHARAMAIAH GATTADAHALLI M	28- Aug- 07	27- Aug- 08	11- Nov- 10

US20100285 457	High-Throughput Diagnostic Assay For the Human Virus Causing Severe Acute Respiratory Syndrome (SARS)	CHAN KWOK HUNG	24- Mar- 03	12- Jun- 09	11- Nov- 10
US20100285 135	Nanoparticles For Use In Immunogenic Compositions	NOVARTIS AG	2- Dec- 05	1- Dec- 06	11- Nov- 10
US20100284 968	Use of PS20/WFDC1 and Interferons to Diagnose, Monitor and Treat Viral Diseases	BAIG EHTESHAM	15- Oct- 07	15- Oct- 08	11- Nov- 10
US20100284 967	MODIFIED PHAGE FOR DISPLAYING POST-TRANSLATIONALLY MODIFIED PROTEINS AND USES THEREOF	National Institutes of Health (NIH), U.S. Dept. of Health and Human Services (DHHS) U.S. Govt.	21- Nov- 06	20- Nov- 07	11- Nov- 10
US20100284 965	COMPOSITIONS AND METHODS FOR ADOPTIVE AND ACTIVE IMMUNOTHERAPY	Yale University	15- Jan- 08	14- Jan- 09	11- Nov- 10
US20100284 917	COMPOUNDS AND MARKERS FOR SURFACE-ENHANCED RAMAN SCATTERING	JULIUS-MAXIMILIANS- UNIVERSITAT	24- Sep- 07	24- Sep- 08	11- Nov- 10
US20100284 016	OPTICAL CYTOMETRY	THE REGENTS OF THE UNIVERSITY OF CALIFORNIA	6- May- 09	6- May- 09	11- Nov- 10
US20100280 102	DOUBLE-STRANDED RIBONUCLEIC ACID WITH INCREASED EFFECTIVENESS IN AN ORGANISM	Alnylam Pharmaceuticals	13- Jun- 03	16- Jun- 10	4- Nov- 10
US20100280 067	INHIBITORS OF ACETYL-COA CARBOXYLASE	ACHARYA VINOD PARAMESHWARAN	30- Apr- 09	30- Apr- 10	4- Nov- 10
US20100280 048	Some 2-pyrazinone derivatives and their use as inhibitors of neutrophile elastase	ASTRAZENECA R&D	6- Nov- 07	5- Nov- 08	4- Nov- 10
US20100280 001	IMIDAZOQUINOLINES WITH IMMUNO-MODULATING PROPERTIES	BONNERT ROGER VICTOR	8- May- 07	6- May- 08	4- Nov- 10
US20100279 906	FORMULATIONS COMPRISING AN ANTI-MICROBIAL COMPOSITION	BYOTROL PLC	17- Sep- 07	17- Sep- 08	4- Nov- 10
US20100279 888	COMPOSITIONS AND METHODS OF DETECTION	GENERA BIOSYSTEMS LIMITED	5- Apr- 07	4- Apr- 08	4- Nov- 10
US20100279 351	Method for Generation of Antibodies	NATIONAL JEWISH MEDICAL AND RESEARCH CENTER	13- Mar- 07	13- Mar- 08	4- Nov- 10
US20100279 279	Compositions and methods for analysis of target analytes	DANIELZADEH ROBERT	17- Sep- 03	30- Nov- 07	4- Nov- 10
US20100279 276	METHODS FOR DETERMINING THE PRESENCE OF SARS CORONAVIRUS IN A SAMPLE	GEN-PROBE INCORPORATED	17- Apr- 03	6- Jul- 10	4- Nov- 10
US20100279 273	NUCLEIC ACID SEQUENCES FOR THE AMPLIFICATION AND DETECTION OF RESPIRATORY VIRUSES	UNIVERSITE LAVAL	17- Jul- 07	17- Jul- 08	4- Nov- 10
US20100278 861	METHODS AND COMPOSITIONS FOR PREDICTING EMERGENCE AND EXPANSION OF DRUG RESISTANT STRAINS OF INFLUENZA VIRUS	NIMAN HENRY L	29- Jan- 09	29- Jan- 10	4- Nov- 10
US20100278 846	NASAL-ADMINISTERED VACCINES USING MULTI-SCREENED NALT-TARGETING AND PHAGOCYtic POLYPEPTIDE TRANSPORT SEQUENCES	FERGUSON IAN A	23- Jun- 04	11- Dec- 09	4- Nov- 10
US20100278 829	DUAL INHIBITION OF IMMUNOPHILIN/CYCLOPHILIN FAMILY MEMBERS AND EMMPRIN IMMUNOGLOBULIN RECEPTOR SUPERFAMILY MEMBERS	EDWARDS III CARL KEITH	6- Feb- 09	6- Feb- 10	4- Nov- 10
US20100273 997	Ribozyme to cleave coronavirus gene	FUKUDA NOBORU	9- Aug- 05	9- Aug- 06	28- Oct- 10
US20100273 854	COMPOSITIONS AND METHODS FOR INHIBITING NADPH OXIDASE EXPRESSION	FEINSTEIN ELENA	15- Jun- 07	12- Jun- 08	28- Oct- 10
US20100273 740	Phospholipids for the Treatment of Infection by Togaviruses, Herpes Viruses and Coronaviruses	FLEMING RONALD A	20- Feb- 04	23- Nov- 09	28- Oct- 10
US20100273 670	DETECTION OF ANTIVIRAL RESISTANCE IN INFLUENZA A USING DNA MICROARRAY	DAWSON ERICA	21- Aug- 06	21- Aug- 07	28- Oct- 10
US20100272 785	RNA SEQUENCE MOTIFS IN THE CONTEXT OF DEFINED INTERNUCLEOTIDE LINKAGES INDUCING SPECIFIC IMMUNE MODULATORY PROFILES	COLEY PHARMACEUTICAL GMBH	13- Aug- 07	8- Aug- 08	28- Oct- 10
US20100272 776	Device including bone cage and method for treatment of disease in a subject	Searete LLC, a limited liability corporation of the State of Delaware	23- Apr- 09	28- Jul- 09	28- Oct- 10
US20100272 771	Device including bone cage and method for treatment of disease in a subject	HARLOW ED	23- Apr- 09	23- Apr- 09	28- Oct- 10
US20100272 730	Antigenic GM-CSF Peptides And Antibodies To GM-CSF	MORPHOTEK, INC.	8- Feb- 06	16- Apr- 10	28- Oct- 10

US20100272 706	ANTIVIRALS	GREBER URS	22- Jun- 07	20- Jun- 08	28- Oct- 10
US20100272 668	ANTIVIRAL SUBSTANCE, ANTIVIRAL FIBER, AND ANTIVIRAL FIBER STRUCTURE	Daiwabo Holdings Co., Ltd.	20- Feb- 08	20- Feb- 09	28- Oct- 10
US20100267 981	BORON-CONTAINING SMALL MOLECULES	Anacor Pharmaceuticals, Inc.	16- Feb- 05	2- Dec- 09	21- Oct- 10
US20100267 805	TARGETING OPPOSITE STRAND REPLICATION INTERMEDIATES OF SINGLE-STRANDED VIRUSES BY RNAI	ALNYLAM PHARMACEUTICALS, INC.	24- Sep- 04	1- Mar- 10	21- Oct- 10
US20100266 677	NUCLEIC ACID BINDING COMPOUNDS AND METHODS OF USE	UNIVERSITY OF ROCHESTER	26- Jul-07	28- Jul- 08	21- Oct- 10
US20100266 634	ADJUVANCY AND IMMUNE POTENTIATING PROPERTIES OF NATURAL PRODUCTS OF ONCHOCERCA VOLVULUS	NEW YORK BLOOD CENTER, INC.	15- Jun- 04	18- Feb- 10	21- Oct- 10
US20100266 620	Immunoconjugates for treatment of infectious diseases	SUN LE	20- Jan- 06	19- Jan- 07	21- Oct- 10
US20100266 604	USE OF TAM RECEPTOR INHIBITORS AS IMMUNOENHANCERS AND TAM ACTIVATORS AS IMMUNOSUPPRESSORS	The Salk Institute for Biological Studies	9- Nov- 07	7- Nov- 08	21- Oct- 10
US20100266 598	PEPTIDE THAT ELICITS NEUTRALIZING ANTIBODIES TARGETING THE HIV CO-RECEPTOR, CCR5	Government of the US, as Represented by the Secretary, Department of Health and Human Services	9- Apr- 04	28- Dec- 09	21- Oct- 10
US20100262 374	Systems and methods for analyzing nanoreporters	HWANG JENQ-NENG	22- May- 06	21- May- 07	14- Oct- 10
US20100261 779	Phosphate-Modified Oligonucleotide Analogs with Enhanced Immunostimulatory Activity	JURK MARION	15- May- 08	15- May- 08	14- Oct- 10
US20100261 690	NOVEL COMBINATIONS	ASTRAZENECA R&D	3- Apr- 09	30- Mar- 10	14- Oct- 10
US20100261 026	Compositions comprising oriented, immobilized macromolecules and methods for their preparation	NanoString Technologies, Inc.	23- Dec- 05	22- Dec- 06	14- Oct- 10
US20100256 348	Oligoadenylate Synthetase (OAS)	ILLUMIGEN BIOSCIENCES, INC.	23- Nov- 05	30- Mar- 10	7- Oct- 10
US20100256 105	NOVEL COMPOUNDS	AstraZeneca R&D	3- Apr- 09	30- Mar- 10	7- Oct- 10
US20100256 104	NOVEL AMIDE COMPOUNDS	ASTRAZENECA R&D	3- Apr- 09	30- Mar- 10	7- Oct- 10
US20100256 103	NOVEL COMPOUNDS	ASTRAZENECA R&D	3- Apr- 09	30- Mar- 10	7- Oct- 10
US20100256 096	Sulfonyl semicarbazides, carbonyl semicarbazides, semicarbazides and ureas, pharmaceutical compositions thereof, and methods for treating hemorrhagic fever viruses, including infections associated with arenaviruses	BAILEY THOMAS R	6- Dec- 04	17- Jan- 07	7- Oct- 10
US20100256 070	RECOMBINANT VIBRIO CHOLERAEE EXOTOXINS	SEED BRIAN	20- Jul-07	18- Jul- 08	7- Oct- 10
US20100254 985	Protein Formulations	MEDIMMUNE, LLC	3- Feb- 06	6- May- 10	7- Oct- 10
US20100254 944	Albumin Fusion Proteins	STUMP DAVID CARTER	14- Sep- 06	13- Sep- 07	7- Oct- 10
US20100254 942	HEPATITIS C ANTIVIRAL COMPOSITIONS AND METHODS	BIOTRON LIMITED	3- Aug- 07	4- Aug- 08	7- Oct- 10
US20100249 200	Novel Compounds 569	CONNOLLY STEPHEN	20- Dec- 06	30- Mar- 10	30- Sep- 10
US20100249 021	METHOD AND MEDICAMENT FOR INHIBITING THE INFECTION OF INFLUENZA VIRUS	INSTITUTE OF MICROBIOLOGY, CHINESE ACADEMY OF SCIENCES	14- Nov- 07	18- Dec- 07	30- Sep- 10
US20100248 219	Compositions for use in identification of influenza viruses	ESHOO MARK W	17- Oct- 05	17- Oct- 06	30- Sep- 10
US20100247 574	CHIMERIC NEWCASTLE DISEASE VIRUS VLPs	MAHMOOD KUTUB	21- Feb- 07	21- Feb- 08	30- Sep- 10
US20100247 571	METHODS AND COMPOSITIONS FOR IMMUNIZATION AGAINST VIRUS	ACADEMIA SINICA	27- Mar- 09	26- Mar- 10	30- Sep- 10
US20100247 560	MUTANT BOTULINUM NEUROTOXIN SEROTYPE A POLYPEPTIDE AND USES THEREOF	THOMAS JEFFERSON UNIVERSITY	25- Sep- 07	25- Sep- 08	30- Sep- 10
US20100247 554	USE OF TAM RECEPTOR INHIBITORS AS ANTIMICROBIALS	BHATTACHARYYA SUCHITA	9- Nov- 07	7- Nov- 08	30- Sep- 10

US20100247 550	SYSTEMS AND METHODS FOR IDENTIFYING REPLIKIN SCAFFOLDS AND USES OF SAID REPLIKIN SCAFFOLDS	BOGOCH ELENORE S	28- Apr- 04	3- Feb- 10	30- Sep- 10
US20100240 903	CRYSTALLINE TRIPEPTIDE EPOXY KETONE PROTEASE INHIBITORS	Onyx Therapeutics, Inc.	20- Mar- 09	22- Mar- 10	23- Sep- 10
US20100240 746	STEREISOMERS OF TRICYCLODECAN-9-YL-XANTHOGENATE	LUMAVITA AG	3-Jul- 07	3- Jul- 08	23- Sep- 10
US20100240 693	Oxime and Hydroxylamine Substituted Thiazolo [4,5-C] Ring Compounds and Methods	Coley Pharmaceutical Group, Inc	9- Feb- 05	8- Feb- 06	23- Sep- 10
US20100240 623	8-OXOADENINE DERIVATIVES ACTING AS MODULATORS OF TLR7	COOK ANTHONY	5-Jul- 06	3- Jul- 07	23- Sep- 10
US20100240 063	SYSTEMS AND METHODS FOR DETECTING MULTIPLE OPTICAL SIGNALS	GEN-PROBE INCORPORATED	10- Mar- 05	1- Jun- 10	23- Sep- 10
US20100239 611	Combination adjuvant formulation	BABIUK LORNE	16- Oct- 08	15- Oct- 09	23- Sep- 10
US20100239 610	INFLUENZA VIRUS-LIKE PARTICLES (VLPS) COMPRISING HEMAGGLUTININ PRODUCED WITHIN A PLANT	MEDICAGO INC.	13- Jul-07	11- Jul- 08	23- Sep- 10
US20100239 593	RSV-SPECIFIC BINDING MOLECULES AND MEANS FOR PRODUCING THEM	MedImmune Limited	1- Jun- 07	30- May- 08	23- Sep- 10
US20100239 520	ORGANIC COMPOUNDS	DALES NATALIE	24- Aug- 06	22- Aug- 07	23- Sep- 10
US20100234 355	ISOQUINOLINE DERIVATIVES AND THEIR USE AS INHIBITORS OF CYTOKINE MEDIATED DISEASES	MARTIN BARRIE	19- Jun- 06	18- Jun- 07	16- Sep- 10
US20100233 250	VACCINE	BARAS BENOIT	19- Jun- 07	20- Jun- 08	16- Sep- 10
US20100233 146	Coatings and Surface Treatments Having Active Enzymes and Peptides	REACTIVE SURFACES, LTD.	9- Sep- 02	29- May- 09	16- Sep- 10
US20100233 116	ORGANIC COMPOUNDS	DALES NATALIE	15- Aug- 06	13- Aug- 07	16- Sep- 10
US20100233 084	Method for Delivery Across the Blood Brain Barrier	IMMUNE DISEASE INSTITUTE, INC.	22- May- 06	22- May- 07	16- Sep- 10
US20100233 031	Method and Apparatus for Analyzing Bioprocess Fluids	BioScale, Inc.	2- May- 05	25- May- 10	16- Sep- 10
US20100227 767	STOCHASTIC CONFINEMENT TO DETECT, MANIPULATE, AND UTILIZE MOLECULES AND ORGANISMS	BOEDICKER JAMES Q	26- Jul-07	28- Jul- 08	9- Sep- 10
US20100226 931	Compounds for immunopotentialion	SILVER JOEL B	24- Jun- 04	24- Jun- 05	9- Sep- 10
US20100222 409	COMPOSITIONS AND METHODS FOR INHIBITING EXPRESSION OF PRO-APOPTOTIC GENES	FEINSTEIN ELENA	27- Jun- 07	26- Jun- 08	2- Sep- 10
US20100222 234	Malaria antigen screening method	AGUIR JOAO CARLOS	31- Aug- 05	25- Aug- 06	2- Sep- 10
US20100221 755	USE OF ANTIBODY SECRETING CELL ELISPOT TO ASSESS ANTIBODY RESPONSES FOLLOWING ANTIGEN EXPOSURE	University of Rochester	15- Jun- 07	16- Jun- 08	2- Sep- 10
US20100221 349	NUCLEIC ACID CONSTRUCTS	Powderject Vaccines, Inc.	1- Feb- 05	1- Feb- 06	2- Sep- 10
US20100221 307	ANTIVIRAL AGENTS, ANTIVIRAL FIBERS AND ANTIVIRAL FIBER STRUCTURES	DAIWABO HOLDINGS CO., LTD.	20- Feb- 08	20- Feb- 09	2- Sep- 10
US20100221 257	BINDING MEMBERS-513	MEDIMMUNE LIMITED	7- Nov- 08	5- Nov- 09	2- Sep- 10
US20100221 242	ANTI-VIRAL GRIFFITHSIN COMPOUNDS, COMPOSITIONS AND METHODS OF USE	MCMAHON JAMES B	1- Dec- 05	1- Dec- 06	2- Sep- 10
US20100216 843	NOVEL SALT 628	ASTRAZENECA R&D	20- Feb- 09	16- Feb- 10	26- Aug- 10
US20100216 773	PHENANTHROINDOLIZIDINE ANALOGUES	National Health Research Institutes	24- Feb- 09	11- Feb- 10	26- Aug- 10
US20100216 689	CYTOTOXIC T CELL ACTIVATOR COMPRISING EP4 AGONIST	National University Corporation, Hamamatsu University School of Medicine	8- May- 07	7- May- 08	26- Aug- 10
US20100215 683	PROTECTIVE ANTIGENS FOR GROUP B STREPTOCOCCUS HYPERVIRULENT STRAINS	NOVARTIS AG	20- Feb- 09	16- Feb- 10	26- Aug- 10

US20100215 675	REPLIKIN-BASED COMPOUNDS FOR PREVENTION AND TREATMENT OF INFLUENZA AND METHODS OF DIFFERENTIATING INFECTIVITY AND LETHALITY IN INFLUENZA	BOGOCH ELENORE S	9- Jan- 09	16- Oct -09	26- Aug -10
US20100210 745	Molecular Healing of Polymeric Materials, Coatings, Plastics, Elastomers, Composites, Laminates, Adhesives, and Sealants by Active Enzymes	REACTIVE SURFACES, LTD.	9- Sep- 02	29- Jan -10	19- Aug -10
US20100210 688	Novel Benzothiazolone Derivatives	BONNERT ROGER	9- Aug- 05	27- Apr -10	19- Aug -10
US20100209 454	ATTENUATED VIRUSES USEFUL FOR VACCINES	CELLO JERONIMO	30- Mar- 07	31- Mar -08	19- Aug -10
US20100209 451	Compositions and Methods Related to Adenovirus Based Delivery of Antigens	INTROGEN THERAPEUTICS, INC.	16- Jun- 06	18- Jun -07	19- Aug -10
US20100209 440	Targeted Delivery of siRNA	Immune Disease Institute, Inc.	26- Jan- 07	25- Jan -08	19- Aug -10
US20100204 286	METHOD FOR REDUCING GASTROINTESTINAL ADVERSE EFFECTS OF CYTOTOXIC AGENTS	BYRNES JOHN J	12- Feb- 09	11- Feb -10	12- Aug -10
US20100204 266	COMPOSITIONS FOR USE IN IDENTIFICATION OF MIXED POPULATIONS OF BIOAGENTS	Ibis Biosciences, INC	23- Mar- 07	21- Mar -08	12- Aug -10
US20100204 203	Chemical Compounds 637: Pyridopyrimidinediones as PDE4 Inhibitors	BONNERT ROGER VICTOR	11- Jan -07	10- Jan -08	12- Aug -10
US20100203 582	Protein Expression System Involving Mutated Severe Respiratory Syndrome-Associated Coronavirus 3C-Like Protease	Academia Sinica	12- Feb- 09	12- Feb -09	12- Aug -10
US20100197 748	ANTI-MICROBIAL COMPOSITION	BYOTROL PLC	17- Jul- 07	17- Jul -08	5- Aug -10
US20100197 708	INDOLE COMPOUNDS	BARDEN TIMOTHY	7- Aug- 06	7- Aug -07	5- Aug -10
US20100196 285	Use of Deuterium Oxide to Treat Virus-Based Diseases of the Respiratory Tract	BAYERL THOMAS	7- Jan- 09	6- Jan -10	5- Aug -10
US20100196 222	AIR CLEANING APPARATUS	FUJIFILM CORPORATION	20- Sep- 07	19- Sep -08	5- Aug -10
US20100190 748	BORON-CONTAINING SMALL MOLECULES	Anacor Pharmaceuticals, Inc.	16- Feb- 05	21- Jul -09	29- Jul -10
US20100189 772	Compositions of TLR ligands and antivirals	COLEY PHARMACEUTICAL GMBH	27- Sep- 06	27- Sep -07	29- Jul -10
US20100186 680	LIVESTOCK STERILIZING METHOD, LIVESTOCK STERILIZING APPARATUS, AND LIVESTOCK OR LIVESTOCK MEAT	HAGIWARA NOBUKO	21- Feb- 05	21- Feb -06	29- Jul -10
US20100184 663	Methods and Compositions Related to Inhibition of Viral Entry	University of Utah Research Foundation	8- Feb- 07	8- Feb -08	22- Jul -10
US20100184 613	Proteome Epitope Tags and Methods of Use Thereof in Protein Modification Analysis	Millipore Corporation	10- May- 02	9- Oct -09	22- Jul -10
US20100184 192	AVIAN INFLUENZA CHIMERIC VLPS	PUSHKO PETER	11- Jul-03	19- Jan -10	22- Jul -10
US20100184 190	Influencing viral lipid constituents	MedImmune, LLC	17- Oct- 06	9- Oct -07	22- Jul -10
US20100184 019	Novel Human Virus Causing Severe Acute Respiratory Syndrome (SARS) and Uses Thereof	CHAN KWOK HUNG	24- Mar- 03	10- Feb -10	22- Jul -10
US20100183 673	METHODS AND COMPOSITIONS FOR PRODUCING AN ADENOVIRUS VECTOR FOR USE WITH MULTIPLE VACCINATIONS	ETUBICS CORPORATION	2-Jul-07	4- Jan -10	22- Jul -10
US20100183 671	LOW-ADDITIVE INFLUENZA VACCINES	Novartis Vaccines & Diagnostics GmbH & Co., KG	27- Jun- 07	27- Jun -08	22- Jul -10
US20100183 634	MULTIFUNCTIONAL NUCLEIC ACID NANO-STRUCTURES	Cornell University, a New York Corporation	1- Jan- 09	31- Dec -09	22- Jul -10
US20100183 516	SELF COUPLING RECOMBINANT ANTIBODY FUSION PROTEINS	BARTH STEFAN	25- Jul-07	25- Jul -08	22- Jul -10
US20100179 145	PHARMACEUTICAL COMBINATIONS	GALLAGHER NEIL JAMES	12- Oct- 06	12- Oct -07	15- Jul -10
US20100178 299	METHODS AND COMPOSITIONS FOR IMPROVING IMMUNE RESPONSES	Northeastern University	13- Feb- 07	13- Feb -08	15- Jul -10



US20100175 006	SYSTEM AND METHOD FOR DETECTING, COLLECTING, ANALYZING, AND COMMUNICATING EVENT-RELATED INFORMATION	Georgetown University	28- Aug- 08	2- Dec- 09	8- Jul- 10
US20100173 980	ANTIVIRAL OLIGONUCLEOTIDES TARGETING RSV	JUTEAU JEAN-MARC	13- Sep- 02	21- Dec- 09	8- Jul- 10
US20100173 906	Substituted 3,4,6,7-Tetrahydro-5H-1,2a,4a,8-Tetraazacyclopenta[cd]Phenalenes and Methods	GRIESGRABER GEORGE W	6- Sep- 06	6- Sep- 07	8- Jul- 10
US20100173 325	Composition and Method for Analysis of Target Analytes	Millipore Corporation	17- Sep- 03	4- Jul- 09	8- Jul- 10
US20100173 280	Systems for Detection and Production of Respiratory, Herpes and Enteric Viruses	Diagnostic Hybrids, Inc	20- Sep- 05	19- Sep- 06	8- Jul- 10
US20100172 965	ANTIVIRAL OLIGONUCLEOTIDES TARGETING VIRAL FAMILIES	JUTEAU JEAN-MARC	13- Sep- 02	21- Dec- 09	8- Jul- 10
US20100172 917	Binding molecules against SARS-coronavirus and uses thereof	Crucell Holland B.V.	22- Jul-03	16- Nov- 09	8- Jul- 10
US20100166 874	Technology for Preparation of Macromolecular Microspheres	FANG FANG	24- Jan- 06	8- Dec- 09	1- Jul- 10
US20100166 782	CLIP INHIBITORS AND METHODS OF MODULATING IMMUNE FUNCTION	AGADJANYAN MICHAEL	25- Jul-08	23- Jul- 09	1- Jul- 10
US20100166 780	CpG Oligonucleotide Analogs Containing Hydrophobic T Analogs with Enhanced Immunostimulatory Activity	Pfizer Inc	27- Sep- 06	27- Sep- 07	1- Jul- 10
US20100166 769	High-yield Transgenic Mammalian Expression System for Generating Virus-like Particles	Academia Sinica	5- Sep- 06	12- Feb- 10	1- Jul- 10
US20100166 661	siRNA COMPOSITIONS AND METHODS FOR POTENTLY INHIBITING VIRAL INFECTION	LIN YONGPING	11- Dec- 08	11- Dec- 09	1- Jul- 10
US20100160 486	POLYOLEFIN ANTIMICROBIAL COMPOSITIONS AND MELT-PROCESSING METHODS	BISHOP KEVIN L	19- Dec- 08	19- Dec- 08	24- Jun- 10
US20100160 323	NOVEL PIPERAZINE DERIVATIVES AS INHIBITORS OF STEAROYL-CoA DESATURASE	BISCHOFF ALEXANDER	23- Dec- 08	22- Dec- 09	24- Jun- 10
US20100160 285	Biphenyloxyacetic Acid Derivatives for the Treatment of Respiratory Disease	BIRKINSHAW TIMOTHY NICHOLAS	24- Aug- 04	18- Dec- 09	24- Jun- 10
US20100160 245	Quercetin-Containing Compositions	Quercegen Pharma LLC	17- Jul-06	16- Dec- 09	24- Jun- 10
US20100158 943	ADMINISTRATION ROUTES FOR PRIMING/BOOSTING WITH INFLUENZA VACCINES	NOVARTIS VACCINES AND DIAGNOSTICS SRL	4- Nov- 05	6- Nov- 06	24- Jun- 10
US20100158 935	MUTANT FORMS OF STREPTOLYSIN O	NOVARTIS AG	21- Dec- 07	24- Feb- 10	24- Jun- 10
US20100158 928	IMMUNE RESPONSE MODIFIER COMPOSITIONS AND METHODS	GRIESGRABER GEORGE W	25- Dec- 06	20- Dec- 07	24- Jun- 10
US20100152 230	HYDROXY SUBSTITUTED 1H-IMIDAZOPYRIDINES AND METHODS	Pfizer Inc.	2- Sep- 05	1- Sep- 06	17- Jun- 10
US20100152 197	(4-TERT-BUTYLPYPERAZIN-2-YL)(PIPERAZIN-1-YL)METHANONE-N-CARBOXAMIDE DERIVATIVES	ASTRAZENECA AB	15- Dec- 08	10- Dec- 09	17- Jun- 10
US20100152 187	AMINOTHIAZOLE DERIVATIVES AS HUMAN STEAROYL-COA DESATURASE INHIBITORS	XENON PHARMACEUTICALS INC.	3- Jun- 05	5- Jun- 06	17- Jun- 10
US20100152 184	PHARMACEUTICAL COMPOUNDS	ASTEX THERAPEUTICS LIMITED	16- Nov- 06	12- Oct- 07	17- Jun- 10
US20100151 490	Antigenic Protein Conjugates and Process for Preparing Same	ABBOTT LABORATORIES	1- Sep- 06	25- Feb- 10	17- Jun- 10
US20100150 960	COMPOSITIONS AND METHODS FOR CHITOSAN ENHANCED IMMUNE RESPONSE	The United States of America, as represented by the Secretary, Department of Health and Human Servi	22- Sep- 06	21- Sep- 07	17- Jun- 10
US20100150 943	IMMUNOGENIC COMPOSITIONS FOR GRAM POSITIVE BACTERIA	NOVARTIS AG	26- Jul-06	26- Jul- 07	17- Jun- 10
US20100150 923	FUSION PROTEINS OF RECOMBINANT SARS CORONAVIRUS STRUCTURAL PROTEINS, THEIR PRODUCTION AND USES	Chinese Academy of Medical Sciences, Institute of Basic Medical Sciences	20- Jun- 05	13- Jun- 06	17- Jun- 10
US20100146 647	Antibody producing non-human mammals	Merus B. V.	27- Jun- 08	19- Oct- 09	10- Jun- 10
US20100144 846	Oligoribonucleotides and uses thereof	COLEY PHARMACEUTICAL GMBH	26- Oct- 06	26- Oct- 07	10- Jun- 10

US20100144 833	RNAi Modulation Of RSV, PIV And Other Respiratory Viruses And Uses Thereof	BARIK SAILEN	22- Oct- 04	25- Jun- 09	10- Jun- 10
US20100144 828	CAFFEYOYLQUINIC ACID DERIVATIVES CONTAINING NITROGEN, AND PREPARATION METHOD, PHARMACEUTICAL COMPOSITION AND USAGE THEREOF	ZHEJIANG MEDICINE CO., LTD. XINCHANG PHARMACEUTICA	23- Mar- 07	21- Mar- 08	10- Jun- 10
US20100144 759	NOVEL N-(FLUORO-PYRAZINYL)-PHENYLSULFONAMIDES AS MODULATORS OF CHEMOKINE RECEPTOR CCR4	AstraZeneca AB	12- Dec- 05	8- Dec- 09	10- Jun- 10
US20100144 606	COMBINATION 408	AstraZeneca AB	20- Jun- 08	19- Jun- 09	10- Jun- 10
US20100144 589	METHODS OF PREDICTING CANCER LETHALITY USING REPLIKIN COUNTS	BOGOCH ELENORE S	23- Apr- 08	7- Aug- 09	10- Jun- 10
US20100144 040	CELLS AND METHODOLOGY TO GENERATE NON-SEGMENTED NEGATIVE-STRAND RNA VIRUSES	CHARNEAU PIERRE	22- Dec- 06	21- Dec- 07	10- Jun- 10
US20100144 015	COMPOSITIONS, METHODS AND USES FOR INDUCING VIRAL GROWTH	KINNEY RICHARD	5- Dec- 08	4- Dec- 09	10- Jun- 10
US20100143 888	ENZYMATIC DIAGNOSTIC TEST FOR SARS AND OTHER VIRAL DISEASES	MND Diagnostic Ltd.	23- Jun- 03	25- Nov- 09	10- Jun- 10
US20100143 881	Selective detection of human rhinovirus	and Human Services	5- Dec- 08	5- Dec- 08	10- Jun- 10
US20100143 411	METHOD FOR IDENTIFICATION OF T-LYMPHOCYTE ANTIGENS	The Government of the U.S.A. as represented by the Secretary, Dept. of Health and Human Service	27- May- 08	27- May- 09	10- Jun- 10
US20100143 406	METHODS OF ENHANCING PROTEIN INCORPORATION INTO VIRUS LIKE PARTICLES	PUSHKO PETER	30- Jun- 06	27- Jun- 07	10- Jun- 10
US20100143 302	Recombinant Adenoviruses Based on Serotype 26 and 48, and Use Thereof	Beth Israel Deaconess Medical Center, Inc	16- Mar- 06	15- Mar- 07	10- Jun- 10
US20100130 503	NEW FLUORENE DERIVATIVES, COMPOSITIONS CONTAINING THE SAME AND USE THEREOF AS INHIBITORS OF THE PROTEIN CHAPERONE HSP 90	SANOFI-AVENTIS	24- Oct- 06	24- Nov- 09	27- May- 10
US20100130 491	9-SUBSTITUTED-8-OXO-ADENINE COMPOUNDS AS TOLL-LIKE RECEPTOR (TLR7 ) MODULATORS	BONNERT ROGER VICTOR	19- Mar- 07	19- Mar- 08	27- May- 10
US20100130 430	STABILIZED THERAPEUTIC SMALL HELICAL ANTIVIRAL PEPTIDES	New York Blood Center, Inc	5- Oct- 06	2- Oct- 07	27- May- 10
US20100129 811	COMPOSITIONS FOR USE IN IDENTIFICATION OF PSEUDOMONAS AERUGINOSA	Ibis Biosciences, Inc.	11- Sep- 03	2- Oct- 09	27- May- 10
US20100129 437	TARGETED INTRACELLULAR DELIVERY OF ANTIVIRAL AGENTS	BBB Holding B.V.	23- Mar- 07	21- Mar- 08	27- May- 10
US20100129 400	ATTENUATED VIRUSES, VACCINES AND METHODS OF USE THEREOF	THE PENN STATE RESEARCH FOUNDATION	22- Dec- 06	12- Jan- 10	27- May- 10
US20100129 386	Composotions And Methods For The Identification And Treatment Of Immune-Mediated Inflammatory Diseases	CONG YINGZI	24- Jan- 06	24- Jan- 07	27- May- 10
US20100129 321	DIARYL UREA FOR TREATING VIRUS INFECTIONS	BAYER HEALTHCARE LLC	15- Dec- 05	6- Dec- 06	27- May- 10
US20100119 550	RECOMBINANT MULTIVALENT VACCINE	GOMI YASUYUKI	24- Nov- 05	24- Nov- 05	13- May- 10
US20100113 745	Means and Methods for Influencing the Stability of Antibody Producing Cells	Meibergdreef 9	9- Dec- 05	8- Dec- 06	6- May- 10
US20100113 565	IMMUNOSTIMULATORY COMBINATIONS AND METHODS	Not Available	8- Dec- 04	8- Dec- 05	6- May- 10
US20100113 510	QUINUCLIDINOL DERIVATIVES AS MUSCARINIC RECEPTOR ANTAGONISTS	FORD RHONAN	19- Dec- 06	17- Dec- 07	6- May- 10
US20100112 710	METHODS AND COMPUTER SYSTEMS FOR IDENTIFYING TARGET-SPECIFIC SEQUENCES FOR USE IN NANOREPORTERS	NANOSTRING TECHNOLOGIES, INC.	10- Apr- 07	10- Apr- 08	6- May- 10
US20100112 643	METHOD FOR DIRECT CAPTURE OF RIBONUCLEIC ACID	The Government of the United States of America, as represented by the Secretary of the Navy	4- Nov- 08	4- Nov- 08	6- May- 10
US20100112 092	ANTIMICROBIAL SOLUTIONS CONTAINING DICHLORINE MONOXIDE AND METHODS OF MAKING AND USING THE SAME	Oculus Innovative Sciences, Inc.	13- Mar- 07	13- Mar- 08	6- May- 10
US20100111 873	TREATING CANCER WITH VIRAL NUCLEIC ACID	HADAC ELIZABETH M	20- Feb- 07	20- Feb- 08	6- May- 10

US20100105 873	INTEGRATED APPROACH FOR GENERATING MULTIDOMAIN PROTEIN THERAPEUTICS	MEDIMMUNE, INC.	1-Jul-05	30-Jun-06	29-Apr-10
US20100105 642	NOVEL COMPOUNDS 409	ASTRAZENECA AB	18-Jun-08	18-Jun-09	29-Apr-10
US20100105 025	DEVICES FOR GENERATING DETECTABLE POLYMERS	Not Available	12-Oct-06	12-Oct-07	29-Apr-10
US20100105 024	RAPID TEST INCLUDING GENETIC SEQUENCE PROBE	Transgenex Nanobiotech, Inc.	14-Jan-08	16-Apr-09	29-Apr-10
US20100104 503	MODULAR NANOPARTICLES FOR ADAPTABLE VACCINES	CAPLAN MICHAEL J	15-Feb-07	15-Feb-08	29-Apr-10
US20100099 870	NOVEL ADENINE COMPOUND	AstraZeneca Aktiebolag	20-Mar-07	19-Mar-08	22-Apr-10
US20100099 745	ENHANCING DISEASE RESISTANCE AGAINST RNA VIRAL INFECTIONS WITH INTRACYTOPLASMIC PATHOGEN SENSORS	GUO ZHA	18-Oct-06	16-Oct-07	22-Apr-10
US20100099 672	METHODS FOR TREATING HEPATITIS C	PTC THERAPEUTICS, INC.	22-Jul-04	23-Dec-09	22-Apr-10
US20100099 665	ISOQUINOLINONE DERIVATIVES	AstraZeneca AB	1-Oct-08	1-Oct-09	22-Apr-10
US20100099 149	STABILIZING COMPOSITIONS AND METHODS FOR EXTRACTION OF RIBONUCLEIC ACID	DNA GENOTEK INC.	6-Oct-06	5-Oct-07	22-Apr-10
US20100099 079	Non-dividing cell-based assay for high throughput antiviral compound screening	SAINZ JR BRUNO	26-Sep-08	24-Sep-09	22-Apr-10
US20100093 998	NOVEL ADENINE COMPOUND	AstraZeneca Aktiebolag	20-Mar-07	19-Mar-08	15-Apr-10
US20100093 862	POTENTIATION OF CELLULAR IMMUNITY USING HISTONE DEACETYLASE (HDAC) INHIBITORS.	Sapporo Medical Univeristy and Japan Science and Technology Agency	6-Dec-06	6-Dec-07	15-Apr-10
US20100093 851	SILVER POLYAMIDE COMPOSITE	BISHOP KEVIN L	14-Oct-08	14-Oct-08	15-Apr-10
US20100093 816	SALT	ARGENTA DISCOVERY LTD.	7-Feb-07	6-Feb-08	15-Apr-10
US20100093 813	Salts 668	ASTRAZENECA AB	8-Feb-07	6-Feb-08	15-Apr-10
US20100093 627	ALBUMIN FUSION PROTEINS	Human Genome Sciences. Inc.	9-Feb-04	3-Aug-09	15-Apr-10
US20100093 038	Means and Methods for Influencing the Stability of Cells	Academisch Medisch Centrum bij de Universiteit van Amsterdam	9-Dec-05	9-Dec-05	15-Apr-10
US20100092 474	PHARMACEUTICAL COMBINATIONS	GALLAGHER NEIL JAMES	12-Oct-06	12-Oct-07	15-Apr-10
US20100092 470	ANTIBODIES, ANALOGS AND USES THEREOF	ICB International, Inc.	22-Sep-08	21-Sep-09	15-Apr-10
US20100092 401	IMMUNE RESPONSE MODIFIER FORMULATIONS	Graceway Pharmaceuticals, LLC	18-Jul-06	12-Jul-07	15-Apr-10
US20100092 399	METHODS OF TREATING OR PREVENTING INFLAMMATION AND HYPERSENSITIVITY WITH OXIDATIVE REDUCTIVE POTENTIAL WATER SOLUTION	Oculus Innovative Sciences, Inc.	20-Jan-06	21-Dec-09	15-Apr-10
US20100087 443	9-SUBSTITUTED-8-OXO-ADENINE COMPOUNDS AS TOLL-LIKE RECEPTOR (TLR7) MODULATORS	Not Available	19-Mar-07	19-Mar-08	8-Apr-10
US20100087 388	ODCASE INHIBITORS AS ANTI-VIRALS AND ANTIBIOTICS	Not Available	3-Oct-05	3-Oct-06	8-Apr-10
US20100086 950	IP-10 BASED IMMUNOLOGICAL MONITORING	Hvidovre Hospital	5-Sep-06	5-Sep-07	8-Apr-10
US20100086 942	COMPOUNDS	AstraZeneca AB	21-Feb-07	4-Dec-09	8-Apr-10
US20100086 571	METHODS TO DECREASE THE RISK OF METABOLIC SYNDROME POST IMMUNIZATION	CLASSEN JOHN BARTHELOW	5-Oct-06	5-Oct-07	8-Apr-10
US20100075 298	Method for rapid identification and quantification of microorganisms	The Regents of the University of California	23-Sep-08	23-Sep-08	25-Mar-10
US20100070 195	COMPUTER-IMPLEMENTED BIOLOGICAL SEQUENCE IDENTIFIER SYSTEM AND METHOD	The Government of the United States of America, as represented by the Secretary of the Navy	2-Jul-04	12-Nov-09	18-Mar-10

US20100070 194	METHODS FOR RAPID IDENTIFICATION AND QUANTITATION OF NUCLEIC ACID VARIANTS	ECKER DAVID J	21- Jul-05	11- Nov-09	18- Mar-10
US20100069 614	Antibody producing non-human mammals	Merus B.V.	27- Jun-08	29- Jun-09	18- Mar-10
US20100069 427	Oxime and Hydroxylamine Substituted Imidazo[4,5-c] Ring Compounds and Methods	COLEY PHARMACEUTICAL GROUP, INC.	11- Feb-05	10- Feb-06	18- Mar-10
US20100068 223	Storage of Influenza Vaccines Without Refrigeration	SCHEFFCZIK HANNO	24- Mar-06	23- Mar-07	18- Mar-10
US20100063 126	Carbazole-Derived Pharmaceutical Compositions	JadoLabs GmbH	29- Jun-04	29- Jun-05	11- Mar-10
US20100062 441	C-MET MUTATIONS AND USES THEREOF	SALGIA RAVI	15- Mar-07	14- Mar-08	11- Mar-10
US20100061 995	Immunotherapy To Treat Or Prevent Viral Infection	CARRAGHER DAMIAN MICHAEL	8- Sep-08	8- Sep-08	11- Mar-10
US20100061 961	RECOMBINANT SUPER-COMPOUND INTERFERON	WEI GUANGWEN	28- Aug-03	4- Sep-09	11- Mar-10
US20100056 508	AMINE DERIVATIVES AND THEIR USE IN BETA-2-ADRENORECEPTOR MEDIATED DISEASES	ASTRAZENECA AB	20- Dec-06	19- Dec-07	4- Mar-10
US20100056 383	HIGH DENSITY SELF-CONTAINED BIOLOGICAL ANALYSIS	JONES DAVID E	15- Nov-06	14- Nov-07	4- Mar-10
US20100055 761	METHODS, COMPOSITIONS, AND KITS FOR THE SELECTIVE ACTIVATION OF PROTOXINS THROUGH COMBINATORIAL TARGETING	THE GENERAL HOSPITAL CORPORATION	20- Jul-06	20- Jul-07	4- Mar-10
US20100055 116	Methods and Compositions for Targeting c-Rel	CHENG SHUHUA	13- Apr-06	13- Apr-07	4- Mar-10
US20100048 584	PYRIDYL DERIVATIVES AND THEIR USE AS THERAPEUTIC AGENTS	XENON PHARMACEUTICALS INC.	30- Jul-03	2- Sep-09	25- Feb-10
US20100048 575	NOVEL TETRACYCLIC INHIBITORS OF CYSTEINE PROTEASES, THE PHARMACEUTICAL COMPOSITIONS THEREOF AND THEIR THERAPEUTIC APPLICATIONS	COLLAND FREDERIC	30- Oct-06	25- Oct-07	25- Feb-10
US20100048 472	Albumin Fusion Proteins	Human Genome Sciences, Inc.	22- Jan-03	20- Apr-09	25- Feb-10
US20100047 282	METHOD OF ACCELERATED VACCINATION AGAINST EBOLA VIRUSES	The Government of the USA as represented by the Secretary of Health and Human Services, NIH	2- Aug-04	5- Nov-09	25- Feb-10
US20100047 277	VIROSOMES, METHODS OF PREPARATION, AND IMMUNOGENIC COMPOSITIONS	COMPANS RICHARD W	13- Jul-06	12- Jul-07	25- Feb-10
US20100047 264	Immunogenic Affinity-Conjugated Antigen Systems Based on Papaya Mosaic Virus and Uses Thereof	FOLIA BIOTECH INC.	15- Nov-06	25- Oct-07	25- Feb-10
US20100047 179	TARGETED SPLIT BIOMOLECULAR CONJUGATES FOR THE TREATMENT OF DISEASES, MALIGNANCIES AND DISORDERS, AND METHODS OF THEIR PRODUCTION	ST. JUDE CHILDREN'S RESEARCH HOSPITAL	27- Oct-06	26- Oct-07	25- Feb-10
US20100042 394	System and Method to Predict the Global Spread of Infectious Agents Via Commercial Air Travel	KHAN KAMRAN	2- Apr-07	2- Apr-08	18- Feb-10
US20100041 638	Chemical Compounds 293	ANDREWS GLEN	27- May-08	26- May-09	18- Feb-10
US20100041 617	Modulating mxa expression	CHUNG EUN J	27- Sep-04	27- Sep-05	18- Feb-10
US20100041 013	ASSAY FOR A HEALTH STATE	HUMAN GENETIC SIGNATURES PTY LTD.	14- Sep-05	14- Sep-06	18- Feb-10
US20100040 703	USE OF NITRIC OXIDE	MILLER CHRIS	13- Aug-08	12- Aug-09	18- Feb-10
US20100040 676	POLYCYSTRONIC HIV VECTOR CONSTRUCTS	Novartis Vaccines and Diagnostics, Inc.	5- May-04	22- Oct-09	18- Feb-10
US20100040 655	Anti-viral Formulations Nanomaterials And Nanoparticles	INTRINSIQ MATERIALS LIMITED	16- Feb-06	16- Feb-07	18- Feb-10
US20100040 635	NEUTRALIZING ANTIBODIES TO INFLUENZA VIRUSES	Sea Lane Biotechnologies	28- Mar-08	27- Mar-09	18- Feb-10
US20100035 973	DISRUPTION OF PROGRAMMED DEATH 1 (PD-1) LIGAND TO ADJUVANT ADENO-ASSOCIATED VIRUS VECTOR VACCINES	Nationwide Children's Hospital, Inc.	17- Jul-06	13- Jul-07	11- Feb-10

US20100035 848	THERAPY FOR DISORDERS OF THE PROXIMAL DIGESTIVE TRACT	BARNES THOMAS MICHAEL	10- Mar- 08	10- Mar- 09	11- Feb- 10
US20100035 836	BICYCLIC NUCLEOSIDES AND NUCLEOTIDES AS THERAPEUTIC AGENTS	BETHELL RICHARD	3-Jul- 08	1- Jul- 09	11- Feb- 10
US20100035 761	High-throughput rna structure analysis	GIDDINGS MORGAN C	5- Jun- 06	5- Jun- 07	11- Feb- 10
US20100035 239	Compositions for use in identification of bacteria	ISIS Pharmaceuticals, Inc.	11- Sep- 03	17- Feb- 05	11- Feb- 10
US20100035 234	VACCINE ASSAYS	Novartis AG	19- May- 08	19- May- 09	11- Feb- 10
US20100035 232	TARGETED WHOLE GENOME AMPLIFICATION METHOD FOR IDENTIFICATION OF PATHOGENS	ECKER DAVID J	14- Sep- 06	14- Sep- 07	11- Feb- 10
US20100035 227	Compositions for use in identification of alphaviruses	ISIS Pharmaceuticals, Inc.	3- Mar- 04	2- Mar- 05	11- Feb- 10
US20100034 852	METHODS AND COMPOSITIONS FOR PREDICTING AND TREATING DRUG RESISTANT STRAINS OF INFLUENZA VIRUS	NIMAN HENRY L	25- Jan- 07	24- Jan- 08	11- Feb- 10
US20100029 732	Combinations of Beta-2-Adrenoceptor Agonistic Benzothiazolone	ASTRAZENECA AB	8- Feb- 07	6- Feb- 08	4- Feb- 10
US20100029 722	ORGANIC COMPOUNDS	DALES NATALIE	20- Dec- 06	19- Dec- 07	4- Feb- 10
US20100029 718	ORGANIC COMPOUNDS	Novartis AG	22- Sep- 06	19- Sep- 07	4- Feb- 10
US20100029 713	QUINICLIDINE DERIVATIVES OF (HETERO) ARYLCYCLOHEPTANECARBOXYLIC ACID AS MUSCARINIC RECEPTOR ANTAGONISTS	ASTRAZENECA AB	14- Nov- 06	13- Nov- 07	4- Feb- 10
US20100029 585	TOLL-LIKE RECEPTOR AGONIST FORMULATIONS AND THEIR USE	DIETSCH GREGORY	1- Aug- 08	31- Jul- 09	4- Feb- 10
US20100029 557	ALPHA-LACTALBUMIN COMPOSITION	GULDMANN MARIANNE	17- Nov- 06	15- Nov- 07	4- Feb- 10
US20100029 552	Peptide inhibitors of c-jun dimerization and uses thereof	Phylogica Limited	20- Aug- 04	22- Aug- 05	4- Feb- 10
US20100028 853	OPTICAL DETERMINATION OF LIVING VS. NON LIVING CELLS	Not Available	25- Oct- 05	2- Nov- 06	4- Feb- 10
US20100028 381	FORMULATION FOR DELIVERY OF IMMUNE RESPONSE MODIFIERS	3M INNOVATIVE PROPERTIES COMPANY	19- Jun- 06	18- Jun- 07	4- Feb- 10
US20100028 369	Hazardous substance removing material and method for removing hazardous substance	FUJIFILM Corporation	29- Jul-08	28- Jul- 09	4- Feb- 10
US20100022 491	4-HYDROXY-2-OXO-2,3-DIHYDRO-1,3-BENZOTHAZOL-7YL COMPOUNDS FOR MODULATION OF B2-ADRENORECEPTOR ACTIVITY	ASTRAZENECA AB	20- Dec- 06	19- Dec- 07	28- Jan- 10
US20100021 987	Compositions, Methods, and Kits for Enhancing Protein Expression	LIFESENSORS, INC.	30- Dec- 04	30- Dec- 05	28- Jan- 10
US20100021 907	METHOD OF DETECTING A PLURALITY OF NUCLEIC ACIDS	KABUSHIKI KAISHA TOSHIBA	3-Jul- 08	12- Jun- 09	28- Jan- 10
US20100021 895	Vectors for Inducing Homozygous Mutations and Methods of Using Same	RULEY H EARL	12- Jul-06	12- Jul- 07	28- Jan- 10
US20100021 470	MONOCLONAL ANTIBODY PRODUCTION BY EBV TRANSFORMATION OF B CELLS	INSTITUTE FOR RESEARCH IN BIOMEDICINE	26- Feb- 03	26- Feb- 04	28- Jan- 10
US20100016 388	Salts of a Selective Beta-2 Andrenoceptor Agonist	Not Available	1- Mar- 07	29- Feb- 08	21- Jan- 10
US20100016 359	METHODS FOR CONTROLLING SR PROTEIN PHOSPHORYLATION, AND ANTIVIRAL AGENTS WHOSE ACTIVE INGREDIENTS COMPRISE AGENTS THAT CONTROL SR PROTEIN ACTIVITY	Masatoshi Hagiwara	26- Dec- 03	29- Jun- 09	21- Jan- 10
US20100015 633	METHODS AND KIT FOR ANALYTE DETECTION	GENERAL ELECTRIC COMPANY	18- Jul-08	18- Jul- 08	21- Jan- 10
US20100015 607	NANOREPORTERS AND METHODS OF MANUFACTURING AND USE THEREOF	INSTITUTE FOR SYSTEMS BIOLOGY	23- Dec- 05	22- Dec- 06	21- Jan- 10
US20100015 594	HUMAN PAPILLOMA VIRUS (HPV) DETECTION USING NUCLEIC ACID PROBES, MICROBEADS AND FLUORESCENT-ACTIVATED CELL SORTER (FACS)	GOULD TOBY	10- Dec- 04	9- Dec- 05	21- Jan- 10

US20100015 283	Method of Preparing Powder Kimchi and Kimchi Composition Using the Same	Not Available	26- Jun- 06	26- Jun- 07	21- Jan- 10
US20100015 211	Combination Approaches For Generating Immune Responses	BARNETT SUSAN W	1- Nov- 04	1- Nov- 05	21- Jan- 10
US20100015 173	COILED-COIL LIPOPEPTIDE HELICAL BUNDLES AND SYNTHETIC VIRUS-LIKE PARTICLES	UNIVERSITÄT ZÜRICH PROREKTORAT FORSCHUNG	9- Dec- 06	6- Dec- 07	21- Jan- 10
US20100010 217	METHODS FOR THE PREPARATION OF IMIDAZOLE-CONTAINING COMPOUNDS	LAN JIONG	23- Mar- 06	23- Mar- 07	14- Jan- 10
US20100010 199	MAKING INFLUENZA VIRUS VACCINES WITHOUT USING EGGS	NOVARTIS AG	11- Sep- 06	11- Sep- 07	14- Jan- 10
US20100010 080	USE OF TYLVALOSIN AS ANTIVIRAL AGENT	CAMBRIDGE UNIVERSITY TECHNICAL SERVICES	13- Jul-06	13- Jul- 07	14- Jan- 10
US20100009 343	COMPOSITIONS AND METHOD FOR RAPID, REAL-TIME DETECTION OF INFLUENZA A VIRUS (H1N1) SWINE 2009	Longhorn Vaccines & Diagnostics, LLC	12- Sep- 06	28- Jul- 09	14- Jan- 10
US20100004 304	METHODS AND COMPOSITIONS FOR THE TREATMENT OF MALIGNANT MELANOMA, BREAST, PROSTATE, COLON, PAPILLARY THYROID AND PANCREATIC CANCER	GIULLANT CESIDIO	16- Mar- 04	1- Oct- 08	7- Jan- 10
US20100003 723	RNA-DEPENDENT DNA POLYMERASE FROM GEOBACILLUS STEAROTHERMOPHILUS	LAMPSON BERT C	10- Mar- 04	10- Mar- 04	7- Jan- 10
US20100003 277	VACCINES AND IMMUNOTHERAPEUTICS USING CODON OPTIMIZED IL-15 AND METHODS FOR USING THE SAME	KUTZLER MICHELE	13- Jan- 06	12- Jan- 07	7- Jan- 10
US20100003 269	METHODS AND USES OF CAULIFLOWER AND COLLARD FOR RECOMBINANT PROTEIN PRODUCTION	THOMAS JEFFERSON UNIVERSITY	11- Jul-06	28- Jun- 07	7- Jan- 10
US20090318 435	PYRAZOLOPYRIDINES AND ANALOGS THEREOF	BONK JASON D	3- Oct- 03	8- Jun- 09	24- Dec- 09
US20090318 337	Compositions and methods for activating innate and allergic immunity	ID Biomedical Corporation of Quebec	22- Oct- 03	22- Oct- 04	24- Dec- 09
US20090317 421	COMPOSITIONS AND METHODS RELATED TO STAPHYLOCOCCAL BACTERIUM PROTEINS	BURTS MONICA	18- Jan- 06	18- Jan- 07	24- Dec- 09
US20090317 417	Modified AAV Vectors Having Reduced Capsid Immunogenicity and Use Thereof	The Trustees of the University of Pennsylvania	28- Apr- 06	27- Apr- 07	24- Dec- 09
US20090312 285	BIOLOGICAL SPECIMEN COLLECTION AND TRANSPORT SYSTEM AND METHODS OF USE	Longhorn Vaccines & Diagnostics, LLC	1- Oct- 07	1- Oct- 08	17- Dec- 09
US20090311 683	COMPOSITIONS FOR THE USE IN IDENTIFICATION OF FUNGI	IBIS BIOSCIENCES, INC.	6- Apr- 06	6- Apr- 07	17- Dec- 09
US20090311 334	MUCOSAL IMMUNOGENIC SUBSTANCES COMPRISING A POLYINOSINIC ACID - POLYCYTIDILIC ACID BASED ADJUVANT	LI LIE TAO VICTOR	13- Jan- 06	27- Jun- 06	17- Dec- 09
US20090311 288	IMIDAZOQUINOXALINE COMPOUNDS AS IMMUNOMODULATORS	Novartis AG	23- Mar- 06	23- Mar- 07	17- Dec- 09
US20090306 347	ANTIBODY PRODUCED USING OSTRICH AND METHOD FOR PRODUCTION THEREOF	JAPAN SCIENCE AND TECHNOLOGY AGENCY	29- Aug- 05	29- Aug- 06	10- Dec- 09
US20090306 090	HETEROCYCLIC DERIVATIVES AND THEIR USE AS STEAROYL-COA DESATURASE INHIBITORS	Xenon Pharmaceuticals Inc.	20- Sep- 04	13- Aug- 09	10- Dec- 09
US20090306 042	Novel Compounds 010	CAGE PETER ALAN	12- Dec- 07	10- Dec- 08	10- Dec- 09
US20090305 282	NOVEL HUMAN VIRUS CAUSING RESPIRATORY TRACT INFECTION AND USES THEREOF	CHAN KWOK HUNG	21- Jul-04	1- Jun- 09	10- Dec- 09
US20090304 743	Composition and Methods for Immunisation Using CD1D Ligands	GALLI GRAZIA	15- Mar- 06	15- Mar- 07	10- Dec- 09
US20090304 742	INFLUENZA VACCINES WITH REDUCED AMOUNT OF EMULSION ADJUVANT	Novartis Vaccines and Diagnostics SRL	4- Nov- 05	6- Nov- 06	10- Dec- 09
US20090304 739	INFLUENZA VACCINES INCLUDING COMBINATIONS OF PARTICULATE ADJUVANTS AND IMMUNOPOTENTIATORS	NOVARTIS VACCINES AND DIAGNOSTICS SRL	4- Nov- 05	6- Nov- 06	10- Dec- 09
US20090304 729	CELL-DERIVED VIRAL VACCINES WITH LOW LEVELS OF RESIDUAL CELL DNA	NOVARTIS VACCINES AND DIAGNOSTICS GMBH & CO KG	1- Nov- 05	1- Nov- 06	10- Dec- 09
US20090304 683	Soluble Fragments of The Sars-Cov Spike Glycoprotein	DIMITROV DIMITER S	19- Jan- 07	19- Jan- 07	10- Dec- 09
US20090304 681	Methods for the treatment and prevention of infection using anti-selectin agents	Not Available	29- Jul-04	27- Jul- 05	10- Dec- 09

US20090304 630	Treating severe and acute viral infections	HEMISPHERx BIOPHARMA	16- May- 03	2- Aug- 07	10- Dec- 09
US20090300 778	Neutral Sphingomyelinase-E and Its Use	HOPPE UTA	8- Feb- 06	8- Feb- 07	3- Dec- 09
US20090299 250	ANTIVIRAL FILTER AND ITS USE IN AN AIR PURIFIER, AIR CONDITIONER OR AIR HUMIDIFIER	Universite De Rouen	19- Jul-06	19- Jul-07	3- Dec- 09
US20090298 914	RNA Interference Mediated Inhibition of Severe Acute Respiratory Syndrome (SARS) Virus Gene Expression Using Short Interfering Nucleic Acid (siNA)	Sirna Therapeutics, Inc.	15- Apr- 03	17- Nov- 08	3- Dec- 09
US20090298 821	HYDROXY AND ALKOXY SUBSTITUTED IH- IMIDAZONAPHTHYRIDINES AND METHODS	Pfizer Inc.	15- Mar- 06	14- Mar- 07	3- Dec- 09
US20090298 807	Compounds	ALCARAZ LILIAN	6- Feb- 08	4- Feb- 09	3- Dec- 09
US20090297 555	RECOMBINANT HUMAN CYTOMEGALOVIRUS AND VACCINES COMPRISING HETEROLOGOUS ANTIGENS	MEDIMMUNE, LLC	25- Jun- 04	30- Jun- 09	3- Dec- 09
US20090286 835	NOVEL COMPOUNDS	AstraZeneca AB	4- Oct- 07	3- Oct- 08	19- Nov- 09
US20090286 813	Thioxanthine Derivatives and Their Use as Inhibitors of MPO	ASTRAZENECA AB	13- Apr- 06	12- Apr- 07	19- Nov- 09
US20090286 726	USE OF THE LONG PENTRAXIN PTX3 FOR THE PREVENTION OR TREATMENT OF VIRAL DISEASES	TECNOGEN S.P.A.	10- Mar- 06	28- Feb- 07	19- Nov- 09
US20090286 222	Mixed Cell Diagnostic Systems For Detection Of Respiratory, Herpes And Enteric Viruses	GOODRUM PATRICIA GAIL RAY	24- Apr- 98	16- Oct- 08	19- Nov- 09
US20090285 921	PLANT EXTRACT AND ITS THERAPEUTIC USE	Veritron Limited	16- May- 08	1- Dec- 08	19- Nov- 09
US20090285 901	Polyamino acid for use as adjuvant	AKASHI MITSURU	20- Apr- 05	27- Jul- 09	19- Nov- 09
US20090285 854	FROZEN STOCKPILING OF INFLUENZA VACCINES	Novartis AG	20- Jul-06	20- Jul-07	19- Nov- 09
US20090281 042	COMPOSITIONS AND METHODS USING SAME FOR THE DETECTION OF VIRUSES	ARAD DORIT	8- Sep- 05	10- Sep- 06	12- Nov- 09
US20090281 041	ANTIVIRAL CELL-PENETRATING PEPTIDES	CURRELI FRANCESCA	6- May- 08	5- May- 09	12- Nov- 09
US20090280 507	METHOD FOR MEASUREMENT OF SARS VIRUS NUCLEOCAPSID PROTEIN, REAGENT KIT FOR THE MEASUREMENT, TEST DEVICE, MONOCLONAL ANTIBODY DIRECTED AGAINST SARS VIRUS NUCLEOCAPSID PROTEIN, AND HYBRIDOMA CAPABLE OF PRODUCING THE MONOCLONAL ANTIBODY	SYSMEX CORPORATION	11- Oct- 05	11- Oct- 06	12- Nov- 09
US20090275 666	CONDENSATION PRODUCTS, METHOD FOR THEIR PRODUCTION AND USE THEREOF IN MEDICAMENTS, AS DISINFECTANTS OR AS A TANNIN	BASF SE	17- May- 06	28- Feb- 07	5- Nov- 09
US20090275 583	ANTIVIRAL COMPOUNDS AND USE THEREOF	Myriad Genetics, Incorporated	13- Oct- 06	13- Apr- 09	5- Nov- 09
US20090275 508	USE OF THYMOSIN ALPHA 1, ALONE OR IN COMBINATION WITH PTX3 OR GANCICLOVIR, FOR THE TREATMENT OF CYTOMEGALOVIRUS INFECTION	SIGMA-TAU INDUSTRIE FARMACEUTICHE RIUNITE S.P.A.	2- May- 06	12- Apr- 07	5- Nov- 09
US20090275 016	ARRAYED DETECTOR SYSTEM FOR MEASUREMENT OF INFLUENZA IMMUNE RESPONSE	UNIVERSITY OF ROCHESTER	2- May- 08	1- May- 09	5- Nov- 09
US20090270 443	1-AMINO IMIDAZO-CONTAINING COMPOUNDS AND METHODS	Not Available	2- Sep- 04	2- Sep- 05	29- Oct- 09
US20090270 431	Cyclopentenol Nucleoside Compounds Intermediates for their Synthesis and Methods of Treating Viral Infections	THE UNIVERSITY OF GEORGIA RESEARCH FOUNDATION	19- Oct- 05	19- Oct- 06	29- Oct- 09
US20090269 367	METHODS AND COMPOUNDS FOR MITIGATING PATHOGENIC OUTBREAKS USING REPLIKIN COUNT CYCLES	BOGOCH ELENORE S	23- Apr- 08	23- Apr- 09	29- Oct- 09
US20090264 653	USEFUL INDOLE COMPOUNDS	BARDEN TIMOTHY	16- Dec- 05	18- Dec- 06	22- Oct- 09
US20090264 509	Adenoviral vector-based foot-and-mouth disease vaccine	GENVEC, INC.	10- Nov- 05	8- May- 08	22- Oct- 09
US20090264 444	Organic compounds	CHOWDHURY SULTAN	20- Feb- 08	20- Feb- 09	22- Oct- 09



US20090264 362	Influenza virus inhibiting peptides	The Administrators of the Tulane Educational Fund	4- Nov- 03	17- Feb- 09	22- Oct- 09
US20090264 307	ARRAY-BASED POLYMORPHISM MAPPING AT SINGLE NUCLEOTIDE RESOLUTION	The Trustees of Princeton University	13- Jan- 06	12- Jan- 07	22- Oct- 09
US20090264 300	ENZYMATIC ENCODING METHODS FOR EFFICIENT SYNTHESIS OF LARGE LIBRARIES	Nuevolution A/S	1- Dec- 05	1- Dec- 06	22- Oct- 09
US20090263 352	METHODS FOR TREATING VIRAL INFECTION USING IL-28 AND IL-29 CYSTEINE MUTANTS	ZymoGenetics, LLC	2- Apr- 04	21- May- 09	22- Oct- 09
US20090258 440	SURFACE FOR LABEL INDEPENDENT DETECTION AND METHOD THEREOF	BUNCH THOMAS A	10- Apr- 08	3- Apr- 09	15- Oct- 09
US20090258 340	Assay for SARS coronavirus by amplification and detection of the replicase sequence	Becton, Dickinson and Company	12- Sep- 03	3- Feb- 09	15- Oct- 09
US20090258 074	MIXTURES OF TANNINS, THEIR PRODUCTION AND USE IN MEDICAMENTS OR AS DISINFECTANTS	BASF SE	17- May- 06	28- Feb- 07	15- Oct- 09
US20090258 011	Antibodies against west nile virus and therapeutic and prophylactic uses thereof	Washington University	21- Jun- 04	6- Apr- 09	15- Oct- 09
US20090257 950	Membrane Scaffold Proteins	THE BOARD OF TRUSTEES OF THE UNIVERSITY OF ILLINOIS	20- Nov- 00	10- Oct- 07	15- Oct- 09
US20090253 714	Methods of reducing risk of infection from pathogens	Not Available	20- Aug- 03	18- Aug- 04	8- Oct- 09
US20090253 695	Hydroxyalkyl Substituted Imidazonaphthyridines	Coley Pharmaceutical Group, Inc,	23- Feb- 05	22- Feb- 06	8- Oct- 09
US20090252 775	VIRUCIDAL DISINFECTANT	B. BRAUN MEDICAL AG	28- Jan- 05	28- May- 09	8- Oct- 09
US20090252 646	STERILIZATION METHODS AND SYSTEMS FOR GAMING EQUIPMENT	Invention Factory, LLC	8- Jan- 07	28- May- 09	8- Oct- 09
US20090247 614	Folate Conjugates	ALNYLAM PHARMACEUTICALS, INC.	4- Dec- 07	4- Dec- 08	1- Oct- 09
US20090247 608	Targeting Lipids	ALNYLAM PHARMACEUTICALS, INC.	4- Dec- 07	4- Dec- 08	1- Oct- 09
US20090239 848	NOVEL PIPERAZINE DERIVATIVES AS INHIBITORS OF STEAROYL-CoA DESATURASE	FOREST LABORATORIES HOLDINGS LIMITED	20- Mar- 08	20- Mar- 09	24- Sep- 09
US20090239 830	Treatment of viral infections by modulation of host cell metabolic pathways	BENNETT BRYSON	1- Jun- 07	2- Jun- 08	24- Sep- 09
US20090239 824	HYDROLYTICALLY-RESISTANT BORON-CONTAINING THERAPEUTICS AND METHODS OF USE	Anacor Pharmaceuticals, Inc.	16- Jun- 03	13- Nov- 08	24- Sep- 09
US20090239 814	Carbohydrate Conjugates as Delivery Agents for Oligonucleotides	ALNYLAM PHARMACEUTICALS, INC.	4- Dec- 07	4- Dec- 08	24- Sep- 09
US20090239 810	NOVEL PIPERAZINE DERIVATIVES AS INHIBITORS OF STEAROYL-CoA DESATURASE	Forest Laboratories Holdings Limited	20- Mar- 08	20- Mar- 09	24- Sep- 09
US20090235 625	FILTER AND ASSOCIATED METHOD	GENERAL ELECTRIC COMPANY	28- Sep- 07	28- Sep- 07	24- Sep- 09
US20090233 965	Alkyl Esters Of Cyclic Amino Alcohols With Muscarinic M3 Receptor Antagonist Activity, Useful For Treating E.G. Chronic Bronchial Obstruction, Asthma And Overactive Bladder	ASTRAZENECA AB	24- Apr- 06	23- Apr- 07	17- Sep- 09
US20090233 907	Pyridopyrimidine Derivatives and Their Use as PDE4 Inhibitors	ASTRAZENECA AB	22- Mar- 06	20- Mar- 07	17- Sep- 09
US20090233 309	BIOLOGICAL SPECIMEN COLLECTION/TRANSPORT COMPOSITIONS AND METHODS	LONGHORN VACCINES & DIAGNOSTICS, LLC	1- Oct- 07	20- Apr- 09	17- Sep- 09
US20090232 844	IMMUNOPOTENTIATING COMPOUNDS	SUTTON JAMES	23- Mar- 06	23- Mar- 07	17- Sep- 09
US20090232 843	Identifying and predicting influenza variants and uses thereof	NIMAN HENRY L	8-Jul- 05	4- Jan- 08	17- Sep- 09
US20090232 808	MOLECULES AND CHIMERIC MOLECULES THEREOF	APOLLO LIFE SCIENCES LIMITED	28- Jan- 05	27- Jan- 06	17- Sep- 09
US20090232 748	Virucidal activities of cetylpyridinium chloride	ViraTox, L.L.C.	7- Nov- 03	18- Mar- 09	17- Sep- 09
US20090227 637	DIARYL UREAS FOR TREATING VIRUS INFECTIONS	RIEDL BERND	15- Dec- 05	6- Dec- 06	10- Sep- 09

US20090227 541	BORON-CONTAINING SMALL MOLECULES	Anacor Pharmaceuticals, Inc.	20- Jun- 07	19- Jun- 08	10- Sep- 09
US20090227 030	Adeno-associated virus (AAV) serotype 8 sequences, vectors containing same, and uses therefor	The Trustees of the University of Pennsylvania	17- Dec- 01	31- Oct- 07	10- Sep- 09
US20090227 005	Methods for pathogen detection	Searete LLC, a limited liability corporation of the State of Delaware	27- Mar- 07	28- Sep- 07	10- Sep- 09
US20090226 885	Nucleic Acid Sequences That Can Be Used As Primers And Probes In The Amplification And Detection Of Sars Coronavirus	OVERDIJK MARLIEKE	10- Jun- 03	8- Mar- 04	10- Sep- 09
US20090222 936	Recombinant Expression of Multiprotein Complexes Using Polygenes	BERGER IMRE	8- Nov- 05	6- Nov- 06	3- Sep- 09
US20090221 653	7-(2-amino-1-hydroxy-ethyl)-4-hydroxybenzothiazol-2(3H)-one-derivatives as beta2 adrenoreceptor agonists	AstraZeneca AB	29- Aug- 05	28- Aug- 06	3- Sep- 09
US20090221 640	Novel Crystal Modifications	ASTRAZENECA AB	16- Mar- 06	15- Mar- 07	3- Sep- 09
US20090221 631	IMIDAZOPYRIDINONES	Not Available	3- Aug- 07	15- May- 09	3- Sep- 09
US20090221 624	4-AMINOQUINOLINE COMPOUNDS FOR TREATING VIRUS-RELATED CONDITIONS	BUSCHER BENJAMIN A	6- May- 05	4- May- 06	3- Sep- 09
US20090221 583	NOVEL PIPERAZINE DERIVATIVES AS INHIBITORS OF STEAROYL-CoA DESATURASE	AURIGENE DISCOVERY TECHNOLOGIES LIMITED	21- Jun- 07	23- Jun- 08	3- Sep- 09
US20090221 556	HYDROXY AND ALKOXY SUBSTITUTED 1H-IMIDAZOQUINOLINES AND METHODS	Pfizer Inc.	4- Nov- 05	3- Nov- 06	3- Sep- 09
US20090221 551	SUBSTITUTED FUSED[1,2] IMIDAZO[4,5C] RING COMPOUNDS AND METHODS	Pfizer Inc.	15- Mar- 06	14- Mar- 07	3- Sep- 09
US20090221 487	POLYETHYLENE GLYCOL MODIFICATIONS OF THYMOSIN ALPHA-1	Institute of Pharmacology and Toxicology Academy of Military Medical Sciences P.L.A. China	10- Nov- 05	11- Nov- 06	3- Sep- 09
US20090220 941	COMPOSITIONS FOR- DETECTING OF INFLUENZA VIRUSES AND KITS AND METHODS USING SAME	MND DIAGNOSTIC LTD	25- Oct- 05	25- Oct- 06	3- Sep- 09
US20090220 937	Compositions for Use in Identification of Adventitious Viruses	IBIS BIOSCIENCES, INC.	3- Mar- 05	3- Mar- 06	3- Sep- 09
US20090220 547	Reducing interference between oil-containing adjuvants and surfactant-containing antigens	NOVARTIS VACCINES AND DIAGNOSTICS SRL	2- Aug- 05	2- Aug- 06	3- Sep- 09
US20090220 546	Adjuvanted influenza vaccines for pediatric use	GROTH NICOLA	22- Feb- 08	20- Feb- 09	3- Sep- 09
US20090220 545	Adjuvant-Sparing Multi-Dose Influenza Vaccination Regimen	NOVARTIS AG	15- Jun- 06	15- Jun- 07	3- Sep- 09
US20090220 544	ADJUVANTED VACCINES WITH NON-VIRION ANTIGENS PREPARED FROM INFLUENZA VIRUSES GROWN IN CELL CULTURE	NOVARTIS VACCINES AND DIAGNOSTICS SRL	4- Nov- 05	6- Nov- 06	3- Sep- 09
US20090220 541	EMULSIONS WITH FREE AQUEOUS-PHASE SURFACTANT FOR ADJUVANTING SPLIT INFLUENZA VACCINES	NOVARTIS VACCINES AND DIAGNOSTICS SRL	4- Nov- 05	6- Nov- 06	3- Sep- 09
US20090220 530	DEFECTIVE RIBOSOMAL PRODUCTS IN BLEBS (DRIBBLES) AND METHODS OF USE TO STIMULATE AN IMMUNE RESPONSE	HU HONG-MING	29- Jul- 05	27- Jul- 06	3- Sep- 09
US20090220 514	ADAM10 and its Uses Related to Infection	HODGE THOMAS	13- Jan- 06	16- Jan- 07	3- Sep- 09
US20090220 456	USES OF INTERFERONS WITH ALTERED SPATIAL STRUCTURE	Not Available	28- Aug- 03	11- Feb- 09	3- Sep- 09
US20090216 860	SYSTEM AND METHOD FOR DETECTING, COLLECTING, ANALYZING, AND COMMUNICATING EVENT RELATED INFORMATION	Georgetown University	25- Feb- 08	19- Nov- 08	27- Aug- 09
US20090216 747	System and method for detecting, collecting, analyzing, and communicating event-related information	Georgetown University- OTC	25- Feb- 08	28- Aug- 08	27- Aug- 09
US20090215 786	NOVEL CYSTEINE PROTEASE INHIBITORS AND THEIR THERAPEUTIC APPLICATIONS	BOISSY GUILLAUME	5- Aug- 05	26- Jul- 06	27- Aug- 09
US20090214 663	Virus coated nanoparticles and uses thereof	ALBRECHT THOMAS B	26- Sep- 06	26- Mar- 09	27- Aug- 09
US20090214 590	Virus Vaccines Comprising Envelope-Bound Immunomodulatory Proteins and Methods of Use Thereof	Wayne State University	8-Jul- 05	10-Jul- 06	27- Aug- 09

US20090214 587	Recombinant virus and use thereof	Post Genome Institute Co., Ltd.	8- Oct- 04	11- Oct- 05	27- Aug- 09
US20090214 537	Serum Resistance Factors of Gram Positive Bacteria	NOVARTIS VACCINES AND DIAGNOSTICS, INC.	13- May- 05	12- May- 06	27- Aug- 09
US20090214 533	METHODS FOR CONVERTING OR INDUCING PROTECTIVE IMMUNITY	THE TRUSTEES OF COLUMBIA UNIVERSITY IN THE CITY OF NEW YORK	17- Aug- 06	17- Feb- 09	27- Aug- 09
US20090214 510	Broad Spectrum Antiviral Compositions	Government of the US as represented by the Secretary, Department of Health and Human Services	21- Feb- 06	21- Feb- 07	27- Aug- 09
US20090214 444	POLY AROMATIC SODIUM CHANNEL BLOCKERS	PARION SCIENCES, Inc.	26- Feb- 08	26- Feb- 09	27- Aug- 09
US20090209 640	Prevention of and countermeasures against viral infection	CHOKO CO., LTD.	20- Nov- 03	15- Apr- 09	20- Aug- 09
US20090209 555	2-PYRAZINONE DERIVATIVES FOR THE TREATMENT OF DISEASE OR CONDITION IN WHICH INHIBITION OF NEUTROPHIL ELASTASE ACTIVITY IS BENEFICIAL	HANSEN PETER	8- May- 06	7- May- 07	20- Aug- 09
US20090209 524	Novel Compounds	AstraZeneca AB	22- Nov- 07	20- Nov- 08	20- Aug- 09
US20090209 505	PRODRUGS OF HETEROARYL COMPOUNDS	Koronis Pharmaceuticals, Incorporated	20- Jun- 03	7- Apr- 09	20- Aug- 09
US20090209 458	Cell-penetrating socs polypeptides that inhibit cytokine-induced signaling	VANDERBILT UNIVERSITY	4- Mar- 04	4- Mar- 05	20- Aug- 09
US20090208 531	ANTIVIRAL AGENTS AND VACCINES AGAINST INFLUENZA	National Institutes of Health Office of Technology	16- Feb- 06	16- Feb- 07	20- Aug- 09
US20090205 116	ARTICLE, LAMINATE AND ASSOCIATED METHODS	GENERAL ELECTRIC COMPANY	30- Sep- 05	5- Dec- 08	20- Aug- 09
US20090203 753	7-(2-amino-1-hydroxy-ethyl)-4-hydroxybenzothiazol-2(3H)-one-derivatives as beta2 adrenoreceptor agonists	AstraZeneca AB	29- Aug- 05	28- Aug- 06	13- Aug- 09
US20090203 675	Sulfonyl Semicarbazides, Semicarbazides and Ureas, Pharmaceutical Compositions Thereof, and Methods for Treating Hemorrhagic Fever Viruses, Including Infections Associated with Arena Viruses	SIGA TECHNOLOGIES, INC.	6- Dec- 04	6- Dec- 05	13- Aug- 09
US20090203 112	VERO CELL LINE WHICH IS ADAPTED TO GROW IN SUSPENSION	Ricardo Kratje	4- Oct- 05	3- Oct- 06	13- Aug- 09
US20090202 995	MOLECULAR CARDIOTOXICOLOGY MODELING	JOHNSON KORY R	26- Aug- 05	28- Aug- 06	13- Aug- 09
US20090202 590	INFLUENZA VACCINES EXTEMPORANEOUSLY ADSORBED TO ALUMINIUM ADJUVANTS	NOVARTIS VACCINES AND DIGNOSTICS SRL	4- Nov- 05	6- Nov- 06	13- Aug- 09
US20090197 914	Piperidine Derivatives, Their Process for Preparation, Their Use as Therapeutic Agents and Pharmaceutical Compositions Containing Them	CAGE PETER	7- Mar- 06	6- Mar- 07	6- Aug- 09
US20090197 894	NICOTINAMIDE DERIVATIVES AND THEIR USE AS THERAPEUTIC AGENTS	XENON PHARMACEUTICALS INC.	21- Dec- 01	14- Apr- 09	6- Aug- 09
US20090197 890	PYRIDAZINE DERIVATIVES AND THEIR USE AS THERAPEUTIC AGENTS	XENON PHARMACEUTICALS INC.	30- Jul-03	20- Feb- 09	6- Aug- 09
US20090197 338	Method of Increasing the Function of an AAV Vector	The Trustees of teh University of Pennsylvania	7- Apr- 05	7- Apr- 06	6- Aug- 09
US20090196 921	Compositions Methods and Kits For Enhancing Immune Response To A Respiratory Condition	The Procter & Gamble Company	6- Feb- 08	6- Feb- 09	6- Aug- 09
US20090192 505	Method for cryospray ablation	Reset Medical, Inc.	5- Dec- 07	5- Dec- 08	30- Jul- 09
US20090192 163	Novel Compounds	ASTRAZENECA AB	6- Oct- 05	5- Oct- 06	30- Jul- 09
US20090192 153	NOVEL ADENINE COMPOUND	AstraZeneca Aktiebolag A corporation of Sweden	22- Sep- 05	21- Sep- 06	30- Jul- 09
US20090192 099	PRODRUGS OF HETEROARYL COMPOUNDS	Koronis Pharmaceuticals, Incorporated	20- Jun- 03	30- Mar- 09	30- Jul- 09
US20090192 090	PEPTIDES AND PEPTIDOMIMETICS HAVING IMMUNE-MODULATING, ANTI-INFLAMMATORY, AND ANTI-VIRAL ACTIVITY	TAKEDA PHARMACEUTICAL COMPANY LIMITED	25- Jun- 03	31- Dec- 08	30- Jul- 09
US20090192 081	Casein derived peptides and uses thereof	SIDELMAN ZVI	1- Mar- 00	31- Oct- 07	30- Jul- 09

US20090191229	ADJUVANCY AND IMMUNE POTENTIATING PROPERTIES OF NATURAL PRODUCTS OF ONCHOCERCA VOLVULUS	NEW YORK BLOOD CENTER	15-Jun-04	23-Mar-09	30-Jul-09
US20090186056	COMPOSITIONS AND METHODS FOR PREVENTING INFECTION	LA JOLLA BIOSCIENCES LLC	8-Aug-02	19-Mar-09	23-Jul-09
US20090186041	ANTI-TSG101 ANTIBODIES AND THEIR USES FOR TREATMENT OF VIRAL INFECTIONS	Functional Genetics, Inc.	15-Nov-06	18-Apr-08	23-Jul-09
US20090186025	Fusion Protein Comprising an Fc Receptor Binding Polypeptide and an Antigenic Polypeptide for Mediating an Immune Response	ImmunoBiology Limited	22-Mar-06	22-Mar-07	23-Jul-09
US20090186014	METHOD FOR TREATMENT OF PANCREATITIS	Ore Pharmaceuticals Inc.	10-Oct-07	9-Oct-08	23-Jul-09
US20090182133	BENZOPYRANONE DERIVATIVES AND THEIR USE AS ANTI-VIRAL AGENTS	Shanghai Institute of Materia Medica Chinese Academy of Sciences	29-Dec-05	15-Dec-06	16-Jul-09
US20090181972	Novel Inhibitors of Cysteine Proteases, the Pharmaceutical Compositions Thereof and their Therapeutic Applications	BOISSY GUILLAUME	8-Dec-05	5-Dec-06	16-Jul-09
US20090181361	Rapid test for detecting infection	KUMAR ARUN	14-Jan-08	14-Jan-08	16-Jul-09
US20090176821	Amide and Carbamate Derivatives of Alkyl Substituted N-[4-(4-Amino-1H-Imidazo[4,5-C] Quinolin-1-yl)Butyl]Methanesulfonamides and Methods	COLEY PHARMACEUTICAL GROUP, INC.	9-Sep-05	8-Sep-06	9-Jul-09
US20090176815	Novel Tricyclic Spiropiperidine Compounds, Their Synthesis and Their Uses as Modulators of Chemokine Receptor Activity	ERIKSSON TOMAS	19-Jul-06	16-Jan-09	9-Jul-09
US20090176699	Inhibitors Based on Fusion, Hr1 and Hr2 Sequences in Bacterial Adhesin	CHIRON SRL	6-Jul-04	6-Jul-05	9-Jul-09
US20090175948	AEROSOL METHOD FOR NANO SILVER-SILICA COMPOSITE ANTI-MICROBIAL AGENT	BRINKER C JEFFREY	30-Nov-07	26-Nov-08	9-Jul-09
US20090175902	Immunogenic Substances Comprising A Polynosinic Acid-Polycytidilic Acid Based Adjuvant	Not Available	13-Jan-06	27-Jun-06	9-Jul-09
US20090170717	RE-SEQUENCING PATHOGEN MICROARRAY	The Government of the United States of America, as represented by the Secretary of the Air Force	2-Jul-04	10-Apr-08	2-Jul-09
US20090169636	Microparticles containing biodegradable polymer and cationic polysaccharide for use in immunogenic compositions	Not Available	24-Feb-06	24-Feb-07	2-Jul-09
US20090163533	1-Substituted Pyrazolo (3,4-C) Ring Compounds as Modulators of Cytokine Biosynthesis for the Treatment of Viral Infections and Neoplastic Diseases	COLEY PHARMACEUTICAL GROUP, INC.	1-Apr-05	31-Mar-06	25-Jun-09
US20090163518	Novel Compounds	BONNERT ROGER	27-May-03	4-Mar-09	25-Jun-09
US20090162831	HUMAN PARVOVIRUS	DELWART ERIC L	24-May-04	24-May-05	25-Jun-09
US20090162392	MUTANT FORMS OF STREPTOLYSIN O	NOVARTIS AG	21-Dec-07	19-Dec-08	25-Jun-09
US20090162365	Novel siRNAs and methods of use thereof	FEINSTEIN ELENA	25-Oct-06	25-Oct-07	25-Jun-09
US20090162320	GENE TRANSFER INTO AIRWAY EPITHELIAL STEM CELL BY USING LENTIVIRAL VECTOR PSEUDOTYPED WITH RNA VIRUS OR DNA VIRUS SPIKE PROTEIN	DNAVEC Corporation	28-Oct-05	27-Oct-06	25-Jun-09
US20090155564	ARTICLE AND ASSOCIATED METHOD	GENERAL ELECTRIC COMPANY	28-Sep-07	28-Sep-07	18-Jun-09
US20090149475	Thioxanthine Derivatives and Their Use as Inhibitors of MPO	ASTRAZENECA AB	13-Apr-06	12-Apr-07	11-Jun-09
US20090149448	Phenoxyacetic Acid Derivatives Useful for Treating Respiratory Diseases	ASTRAZENECA AB	23-Nov-04	22-Nov-05	11-Jun-09
US20090149429	ANTIVIRAL COMPOUNDS	Myriad Genetics, Incorporated	22-Jun-05	22-Jun-06	11-Jun-09
US20090131486	2-PYRIDONE DERIVATIVES FOR THE TREATMENT OF DISEASE OR CONDITION IN WHICH INHIBITION OF NEUTROPHIL ELASTASE ACTIVITY IS BENEFICIAL	HANSEN PETER	8-May-06	7-May-07	21-May-09
US20090131459	2-Thioxanthine Derivatives Acting as MPO-Inhibitors	ASTRAZENECA AB	5-Jun-06	4-Jun-07	21-May-09

US20090131328	FURIN INHIBITORS	SMITH JUDITH	23-Jul-04	22-Jul-05	21-May-09
US20090130146	COMBINATION VACCINE	CHIRON BEHRING GMBH & CO. KG	8-Oct-04	7-Oct-05	21-May-09
US20090130138	Antiviral and antibacterial activity from medicinal mushrooms	STAMETS PAUL EDWARD	6-Jan-04	24-Sep-08	21-May-09
US20090126514	Devices for collection and preparation of biological agents	BELGRADER PHIL	5-Sep-07	5-Sep-07	21-May-09
US20090124843	HAZARDOUS SUBSTANCE REMOVING METHOD, HAZARDOUS SUBSTANCE REMOVING MATERIAL USED THEREIN SUCH AS AIR FILTER, MASK, WIPE SHEET, AND THE LIKE, AND STORAGE METHOD THEREOF	Not Available	28-Mar-03	21-Nov-08	14-May-09
US20090124652	Polymorphs of 1-(2-Methylpropyl)-1H-Imidazo[4,5-C][1,5]Naphthyridin-4-Amine Ethane-Sulfonate	Takeda Pharmaceutical Company Limited	30-Dec-04	28-Dec-05	14-May-09
US20090124640	Pyrrolo[3,2-D]Pyrimidin-4-One Derivative as Myeloperoxidase Inhibitor	ASTRAZENECA AB	5-Jun-06	4-Jun-07	14-May-09
US20090124611	Pyrazolopyridine-1,4-Diamines and Analogs Thereof	Coley Pharmaceutical Group, Inc.	1-Apr-05	31-Mar-06	14-May-09
US20090124596	Chemical Compounds 637	BONNERT ROGER VICTOR	11-Jan-07	10-Jan-08	14-May-09
US20090124512	DNA ARRAY ANALYSIS AS A DIAGNOSTIC FOR CURRENT AND EMERGING STRAINS OF INFLUENZA	REGENTS OF THE UNIVERSITY OF COLORADO	18-Jan-06	18-Jan-07	14-May-09
US20090123494	MOMLV-BASED PSEUDOVIRION PACKAGING CELL LINE	FLICK RAMON	31-Jul-07	31-Jul-08	14-May-09
US20090123460	IMMUNOSTIMULATORY COMBINATIONS	3M Innovative Properties Company	30-Dec-02	17-Mar-08	14-May-09
US20090123417	RECOMBINANT SUPER-COMPOUND INTERFERON AND USES THEREOF	WEI GUANGWEN	28-Feb-01	6-Oct-08	14-May-09
US20090118503	FAAH INHIBITORS	Not Available	20-Jun-07	20-Jun-08	7-May-09
US20090118288	N-Benzyl-Morpholine Derivatives as Modulators of the Chemokine Receptor	ASTRAZENECA AB	21-Jul-05	19-Jul-06	7-May-09
US20090118263	Novel Adenine Compound	ASTRAZENECA AKTIEBOLAG	22-Sep-05	20-Sep-06	7-May-09
US20090117537	METHOD FOR DETECTING SARS CORONAVIRUS	EIKEN KAGAKU KABUSHIKI KAISHA	27-Jun-03	10-Jun-08	7-May-09
US20090117367	ARTICLE AND ASSOCIATED METHOD	GENERAL ELECTRIC COMPANY	28-Sep-07	28-Sep-07	7-May-09
US20090117123	IMMUNOPEPTIDES OF HPV E6 AND E7 PROTEINS	National Health Research Institutes	2-Nov-07	23-Sep-08	7-May-09
US20090117115	Binary epitope antibodies and B cell superantigen immune stimulants	NISHIYAMA YASUHIRO	9-Nov-06	9-Nov-07	7-May-09
US20090117113	Immunogenic And Therapeutic Compositions For Streptococcus Pyogenes	Chiron Corporation	8-Oct-04	11-Oct-05	7-May-09
US20090111828	L-ALANINE DERIVATIVES	ASTRAZENECA AB	23-Nov-05	22-Nov-06	30-Apr-09
US20090111091	SPECIMEN PRETREATMENT LIQUID, KIT FOR MEASURING VIRUS, AND METHOD FOR DETECTING VIRUS	SYSMEX CORPORATION	31-Oct-07	31-Oct-08	30-Apr-09
US20090105295	HYDROXYLAMINE SUBSTITUTED IMIDAZOQUINOLINES	Coley Pharmaceutical Group, Inc.	14-Nov-03	12-Nov-04	23-Apr-09
US20090105212	NOVEL ADENINE COMPOUND	AstraZeneca Aktiebolag a corporation of Sweden	22-Sep-05	22-Sep-06	23-Apr-09
US20090105203	COMPOUNDS FOR TREATING VIRAL INFECTIONS	Myriad Genetics, Incorporated	16-Oct-06	16-Oct-07	23-Apr-09
US20090105151	AMPHIPATHIC ALPHA-HELICAL PEPTIDE COMPOSITIONS AS ANTIVIRAL AGENTS	CHEONG KWANG HO	19-Jul-07	14-Jul-08	23-Apr-09
US20090105092	VIRAL DATABASE METHODS	THE TRUSTEES OF COLUMBIA UNIVERSITY IN THE CITY OF NEW YORK	28-Nov-06	27-Nov-07	23-Apr-09
US20090104226	Alphavirus Vectors for Respiratory Pathogen Vaccines	NOVARTIS VACCINES AND DIAGNOSTICS INC.	21-May-04	20-May-05	23-Apr-09

US20090104 209	METHODS OF REDUCING A VIRAL INFECTION AND KITS THEREFORE	LABONTE PATRICK	21-Sep-07	19-Sep-08	23-Apr-09
US20090104 147	Sialoadhesin-Related Compositions and Methods	DELPUTTE PETER	11-May-06	11-May-07	23-Apr-09
US20090099 216	NOVEL ADENINE COMPOUND	AstraZeneca Aktiebolag A corporation of Sweden	22-Sep-05	22-Sep-06	16-Apr-09
US20090099 161	Substituted Imidazoquinolines and Imidazonaphthyridines	Coley Pharmaceutical Group, Inc.	11-Feb-05	10-Feb-06	16-Apr-09
US20090099 156	Heterocyclic Compounds as Ccr2b antagonists	BOWER JUSTIN FAIRFIELD	24-Dec-04	19-Dec-05	16-Apr-09
US20090099 110	Antiviral oligonucleotides	JUTEAU JEAN-MARC	13-Sep-02	28-Feb-08	16-Apr-09
US20090099 043	Construction of pool of interfering nucleic acids covering entire RNA target sequence and related compositions	ZHU YORK YUAN YUAN	23-Jul-07	21-Nov-08	16-Apr-09
US20090098 530	Cell Line For Producing Coronaviruses	CRUCCELL HOLLAND B.V.	22-Jul-05	21-Jul-06	16-Apr-09
US20090098 207	Technology for the Preparation of Microparticles	NexBio, Inc.	24-Jul-07	24-Jul-08	16-Apr-09
US20090092 962	METHOD FOR DETECTING SARS CORONAVIRUS	EIKEN KAGAKU KABUSHIKI KAISHA	27-Jun-03	10-Jun-08	9-Apr-09
US20090092 633	Polyamino acid for use as adjuvant	AKASHI MITSURU	20-Apr-05	19-Apr-06	9-Apr-09
US20090092 581	Interferons of rhesus and cynomolgus origin and uses thereof	CLARK WILLIAM A	11-Apr-07	11-Apr-08	9-Apr-09
US20090083 865	Transgenic Mouse Lines Expressing Human Ace2 and Uses Thereof	CHAN TEH-SHENG	11-Jan-06	11-Jan-07	26-Mar-09
US20090082 547	COMPOSITIONS FOR ENHANCING TRANSPORT OF MOLECULES INTO CELLS	IVERSEN PATRICK L	29-Apr-03	5-Nov-08	26-Mar-09
US20090082 332	PURINE DERIVATIVES FOR THE TREATMENT OF VIRAL OR ALLERGIC DISEASES AND CANCERS	ABBOT PHILIP	22-Sep-05	20-Sep-06	26-Mar-09
US20090082 287	METHODS OF ENHANCING MUCOSAL HYDRATION AND MUCOSAL CLEARANCE BY TREATMENT WITH SODIUM CHANNEL BLOCKERS AND OSMOLYTES	PARION SCIENCES, INC.	7-Sep-06	7-Sep-07	26-Mar-09
US20090081 675	METHODS, COMPOUNDS AND SYSTEMS FOR DETECTING A MICROORGANISM IN A SAMPLE	COLSTON JR BILL W	24-Aug-07	21-Aug-08	26-Mar-09
US20090081 252	DECREASING POTENTIAL IATROGENIC RISKS ASSOCIATED WITH INFLUENZA VACCINES	CHIRON BEHRING GMBH & CO.	9-Sep-04	9-Sep-05	26-Mar-09
US20090081 157	Immunostimulatory Combinations for Vaccine Adjuvants	Not Available	9-Jan-06	9-Jan-07	26-Mar-09
US20090078 263	Hazardous substance removing method, hazardous substance removing material used therein such as air filter, mask, wipe sheet, and the like, and storage method thereof	ARAJ JUN-ICHIRO	28-Mar-03	21-Nov-08	26-Mar-09
US20090076 076	INHIBITORS OF CYSTEINE PROTEASES AND METHODS OF USE THEREOF	Baylor University	13-Jun-07	13-Jun-08	19-Mar-09
US20090075 980	Pyrazolopyridines and Analogs Thereof	Coley Pharmaceutical Group, Inc.	3-Oct-03	31-Mar-06	19-Mar-09
US20090074 810	Modified Adenovirus Hexon Protein and Uses Thereof	The Trustees of the University of Pennsylvania	28-Apr-06	27-Apr-07	19-Mar-09
US20090069 314	Hydroxyalkyl Substituted Imidazoquinoline Compounds and Methods	Coley Pharmaceutical Group, Inc.	23-Feb-05	22-Feb-06	12-Mar-09
US20090068 759	REUSABLE DETECTION SURFACES AND METHODS OF USING SAME	BioScale, Inc.	6-Sep-07	5-Sep-08	12-Mar-09
US20090068 665	METHODS AND KITS FOR IDENTIFYING TARGET NUCLEOTIDES IN MIXED POPULATIONS	APPLIED BIOSYSTEMS INC.	30-Apr-04	31-Jul-08	12-Mar-09
US20090068 636	VIRAL PROTEIN	CHANG MING-FU	2-Mar-04	19-Sep-07	12-Mar-09
US20090068 142	COMPOSITIONS AND METHODS FOR TREATING CORONAVIRUS INFECTION AND SARS	Three Rivers Pharmaceuticals LLC	1-Apr-03	29-Jul-08	12-Mar-09
US20090068 095	CARBONIC ANHYDRASE IX (G250) ANITBODIES AND METHODS OF USE THEREOF	LO AGNES	2-Dec-05	4-Dec-06	12-Mar-09



US20090062 328	Oxime and Hydroxylamine Substituted Imidazo[4,5-c] Ring Compounds and Methods	COLEY PHARMACEUTICAL GROUP, INC.	11- Feb- 05	10- Feb- 06	5- Mar- 09
US20090062 272	IMIDAZOQUINOLINYL SULFONAMIDES	BONK JASON D	30- Dec- 03	23- Dec- 04	5- Mar- 09
US20090062 259	Bezothiazol Derivatives as Beta2 Adrenoreceptor Agonists	ASTRAZENECA AB	14- Mar- 06	12- Mar- 07	5- Mar- 09
US20090062 229	METHOD AND COMPOSITION FOR REDUCING THE EXPRESSION OF ROCK-II	Myriad Genetics, Incorporated	20- Aug- 03	6- May- 08	5- Mar- 09
US20090061 027	Composition For The Prevention and Treatment Of Common Cold Diseases	PANDALIS GEORGIOS	24- Mar- 06	2- Mar- 07	5- Mar- 09
US20090061 017	SHELF STABLE, REDUCED CORROSION, READY TO USE PEROXYCARBOXYLIC ACID ANTIMICROBIAL COMPOSITIONS	BESSE MICHAEL	30- Aug- 07	30- Aug- 07	5- Mar- 09
US20090060 950	Method for Producing Viral Vaccines	BAXTER HEALTHCARE	28- Aug- 07	28- Aug- 08	5- Mar- 09
US20090054 413	Novel 5,6-Dihydropyrazolo[3,4-E] [L,4]Diazepin-4 (IH) -One Derivatives for the Treatment of Asthma and Chronic Obstructive Pulmonary Disease	AstraZeneca AB	3- Oct- 05	2- Oct- 06	26- Feb- 09
US20090054 342	Bioactive peptides and method of using same	AYALON-SOFFER MICHAL	18- Sep- 06	18- Sep- 07	26- Feb- 09
US20090053 708	Method and/or Apparatus of Oligonucleotide Design and/or Nucleic Acid Detection	LEE CHARLIE	12- Aug- 05	8- Aug- 06	26- Feb- 09
US20090053 299	Methods for generating immune response using cationic-liposome-mediated nucleic acid delivery	Georgetown University	9-Jul- 07	9- Jul- 08	26- Feb- 09
US20090053 257	REPLIKIN PEPTIDES AND USES THEREOF	BOGOCH ELENORE S	6- Jun- 03	10- Jul- 08	26- Feb- 09
US20090053 248	Compositions and methods for transepithelial molecular transport	Thomas Jefferson University	31- May- 02	25- Mar- 08	26- Feb- 09
US20090047 665	COMPOSITIONS FOR USE IN IDENTIFICATION OF ADENOVIRUSES	IBIS BIOSCIENCES, INC.	11- Sep- 03	16- Sep- 08	19- Feb- 09
US20090047 353	CHANGING TH1/TH2 BALANCE IN SPLIT INFLUENZA VACCINES WITH ADJUVANTS	NOVARTIS VACCINES AND DIAGNOSTICS SRL	4- Nov- 05	6- Nov- 06	19- Feb- 09
US20090047 306	ADJUVANT COMPOSITIONS	M N L PHARMA LIMITED	21- Jan- 04	21- Jan- 05	19- Feb- 09
US20090047 272	Compositions with Modified Nucleases Targeted to Viral Nucleic Acids and Methods of Use for Prevention and Treatment of Viral Diseases	APPELBAUM JACOB G	14- Apr- 04	14- Apr- 05	19- Feb- 09
US20090042 942	Muscarinic Receptor Antagonists	ASTRAZENECA AB	20- Apr- 05	18- Apr- 06	12- Feb- 09
US20090042 925	OXIME SUBSTITUTED IMIDAZOQUINOLINES	Coley pharmaceutical Group, Inc.	14- Nov- 03	12- Nov- 04	12- Feb- 09
US20090042 858	LACTAM CONTAINING HCV INHIBITORS	BARSANTI PAUL	16- Jun- 05	16- Jun- 06	12- Feb- 09
US20090042 827	ANTIVIRAL OLIGONUCLEOTIDES TARGETING HBV	JUTEAU JEAN-MARC	13- Sep- 02	10- Jul- 08	12- Feb- 09
US20090042 292	B7-DC Variants	The Johns Hopkins University	13- Jul-07	11- Jul- 08	12- Feb- 09
US20090042 274	Method of Purifying Virus Envelope	GENOMIDEA INC.	27- Jul-04	22- Jul- 05	12- Feb- 09
US20090042 252	INTERFERON-ALPHA POLYPEPTIDES AND CONJUGATES	Maxygen, Inc.	18- Nov- 02	30- Oct- 06	12- Feb- 09
US20090041 818	ANTIVIRAL AGENT, AND FABRIC AND ANTIVIRAL MEMBER SUPPORTING ANTIVIRAL AGENT	ITO HIROSHI	12- Aug- 03	10- Aug- 04	12- Feb- 09
US20090041 803	Dioscorea Extracts	Academia Sinica	1- Dec- 03	2- Sep- 08	12- Feb- 09
US20090041 781	METHODS FOR DETECTING PARVOVIRUS INFECTIONS	The Research Foundation of State University of New York	5- May- 03	16- Oct- 08	12- Feb- 09
US20090036 653	Methods for the directed expansion of epitopes for use as antibody ligands	Peptimmune, Inc.	13- Apr- 06	7- May- 08	5- Feb- 09
US20090036 535	Biphenyloxyacetic Acid Derivatives for the Treatment of Respiratory Disease	ASTRAZENECA AB	6- Oct- 05	5- Oct- 06	5- Feb- 09



US20090035 861	RNAi Medicine Having No Adverse Effects	GONDAI TAKUMA	28- Jan- 05	27- Jan- 06	5- Feb- 09
US20090035 323	IMMUNE RESPONSE MODIFIER CONJUGATES	Not Available	22- Feb- 06	21- Feb- 07	5- Feb- 09
US20090012 280	OLIGONUCLEOTIDE COMPOUND AND METHOD FOR TREATING NIDOVIRUS INFECTIONS	BESTWICK RICHARD K	24- Dec- 03	25- Apr- 08	8- Jan- 09
US20090012 151	Novel Compounds 951	BONNERT ROGER VICTOR	5-Jul- 07	3- Jul- 08	8- Jan- 09
US20090012 125	Piperidine Derivatives, Their Process for Preparation, Their Use as Therapeutic Agents and Pharmaceutical Compositions Containing Them	CAGE PETER	7- Mar- 06	6- Mar- 07	8- Jan- 09
US20090011 465	INTERFERON-ALPHA POLYPEPTIDES AND CONJUGATES	MAXYGEN, INC.	18- Nov- 02	30- Oct- 06	8- Jan- 09
US20090011 403	MICROPOROUS MATERIALS, METHODS OF MAKING, USING, AND ARTICLES THEREOF	UNIVERSITY OF UTAH RESEARCH FOUNDATION	26- May- 04	17- May- 05	8- Jan- 09
US20090005 376	1-Alkoxy 1H-Imidazo Ring Systems and Methods	3M Innovative Properties Company	2- Sep- 04	1- Sep- 05	1- Jan- 09
US20090005 371	Substituted Fused [1,2]Imidazo[4,5-C] Ring Compounds and Methods	HEPPNER PHILIP D	11- Feb- 05	10- Feb- 06	1- Jan- 09
US20090004 643	METHODS FOR CONCURRENT IDENTIFICATION AND QUANTIFICATION OF AN UNKNOWN BIOAGENT	ISIS Pharmaceuticals, Inc.	18- Feb- 04	17- Feb- 05	1- Jan- 09
US20080319 170	Methods and Uses of Antibodies in the Purification of Interferon	ViraNative AB	12- Feb- 05	13- Feb- 06	25- Dec- 08
US20080318 998	Alkyloxy Substituted Thiazoloquinolines and Thiazolonaphthyridines	COLEY PHARMACEUTICAL GROUP, INC.	9- Feb- 05	8- Feb- 06	25- Dec- 08
US20080317 702	METHOD FOR TREATING MICROORGANISMS AND/OR INFECTIOUS AGENTS	EDGINGTON GARRY	19- Jun- 07	19- Jun- 08	25- Dec- 08
US20080311 138	Adjuvant Activity of Gastrointestinal Peptides	Not Available	13- Dec- 04	13- Dec- 05	18- Dec- 08
US20080311 125	Scytovirin Domain 1 Related Polypeptides	Office of Technology Transfer	25- May- 05	24- May- 06	18- Dec- 08
US20080311 042	Loop-Variant PdZ Domains as Biotherapeutics, Diagnostics and Research Reagents	DELAGRAVE SIMON	5- Dec- 05	4- Dec- 06	18- Dec- 08
US20080310 992	APPARATUS AND METHOD FOR USING OZONE AS A DISINFECTANT	VIROFORCE SYSTEMS INC.	29- Nov- 06	17- Jun- 08	18- Dec- 08
US20080305 120	Immunogenic Compositions Comprising Hmgb 1 Polypeptides	MEDIMMUNE, INC.	17- Jun- 04	16- Jun- 05	11- Dec- 08
US20080305 119	Modified Bacteriophage Vectors and Uses Thereof	UNIVERSITY OF ROCHESTER	29- Oct- 04	5- Oct- 05	11- Dec- 08
US20080300 275	Novel Benzothiazolone Derivatives	ASTRAZENECA AB	9- Aug- 05	3- Aug- 06	4- Dec- 08
US20080300 244	NOVEL COMPOUNDS	AstraZeneca AB	14- Dec- 06	13- Dec- 07	4- Dec- 08
US20080300 191	PROTEASE INHIBITORS FOR CORONAVIRUSES AND SARS-COV AND THE USE THEREOF	CAI SUI XIONG	6- May- 03	6- May- 04	4- Dec- 08
US20080299 545	CHROMATOGRAPHIC METHODS FOR ASSESSING ADENOVIRUS PURITY	CLARKE PETER	6- Mar- 07	6- Mar- 08	4- Dec- 08
US20080299 182	METHODS AND FORMULATIONS FOR TOPICAL GENE THERAPY	ONISHI ERIC	1- Mar- 07	29- Feb- 08	4- Dec- 08
US20080299 070	Antiviral Compounds	ENGEL ROBERT	30- May- 07	30- May- 08	4- Dec- 08
US20080295 843	SELF SANITIZING FACE MASKS AND METHOD OF MANUFACTURE	HAAS MARCI B	1- Jun- 07	1- Jun- 07	4- Dec- 08
US20080293 775	Substituted Diphenylethers, -Amines, -Sulfides and -Methanes for the Treatment of Respiratory Disease	ASTRAZENECA AB	15- Dec- 05	12- Dec- 06	27- Nov- 08
US20080293 742	Novel N-(Fluoro-Pyrazinyl)-Phenylsulfonamides as Modulators of Chemokine Receptor Ccr4	CHESHIRE DAVID	12- Dec- 05	11- Dec- 06	27- Nov- 08
US20080292 657	PRIMATE T-LYMPHOTROPIC VIRUSES	Centers for Disease Control and Prevention	21- Feb- 05	24- Feb- 07	27- Nov- 08
US20080292 641	Antigenic GM-CSF peptides and antibodies to GM-CSF	Morphotek, Inc.	8- Feb- 06	8- Feb- 07	27- Nov- 08

US20080287 453	Piperazine Compounds Useful as Antagonists of C-C Chemokines (Ccr2b and Ccr5) for the Treatment of Inflammatory Diseases	BOWER JUSTIN FAIRFIELD	21- Dec- 05	18- Dec- 06	20- Nov- 08
US20080286 756	COMPOSITIONS AND METHODS FOR DIAGNOSING AND TREATING SEVERE ACUTE RESPIRATORY SYNDROME (SARS)	THE CHINESE UNIVERSITY OF HONG KONG	29- Jul-03	3- Apr- 08	20- Nov- 08
US20080280 951	Salt II	ASTRAZENECA AB	2- Aug- 05	31- Jul- 06	13- Nov- 08
US20080279 920	Compositions For Treating Respiratory Viral Infections and Their Use	Intradigm Corporation	5- Nov- 04	4- Nov- 05	13- Nov- 08
US20080279 891	Viral Adjuvants	JOHNSTON ROBERT E	9-Jul- 04	8- Jul- 05	13- Nov- 08
US20080279 812	Disease Prevention and Vaccination Prior to Thymic Reactivation	Monash University	5- Dec- 03	19- Apr- 04	13- Nov- 08
US20080279 722	TRANSPORTABLE DECONTAMINATION UNIT AND DECONTAMINATION PROCESS	BACIK MICHAEL A	6- Mar- 07	20- Feb- 08	13- Nov- 08
US20080279 721	DECONTAMINATION UNIT AND PROCESS	CENTANNI MICHAEL A	6- Mar- 07	20- Feb- 08	13- Nov- 08
US20080279 720	DECONTAMINATION UNIT WITH COLLAPSIBLE DECONTAMINATION ENCLOSURE AND DECONTAMINATION PROCESS	CENTANNI MICHAEL A	6- Mar- 07	20- Feb- 08	13- Nov- 08
US20080275 084	Piperidines for the Treatment of Chemokine Mediated Diseases	ASTRAZENECA AB	27- May- 05	24- May- 06	6- Nov- 08
US20080274 140	Vaccines and Methods for Using the Same	KUTZLER MICHELE	19- Nov- 04	18- Nov- 05	6- Nov- 08
US20080269 240	Novel Adenine Compound	AstraZeneca Aktiebolag A Corporation of Sweden	22- Sep- 05	21- Sep- 06	30- Oct- 08
US20080269 192	Chiral Fused [1,2]Imidazo[4,5-C] Ring Compounds	Coley Pharmaceutical Group, Inc.	30- Dec- 04	29- Dec- 05	30- Oct- 08
US20080269 156	Inhibitors of RTP801 and their use in disease treatment	FEINSTEIN ELENA	26- Feb- 07	26- Feb- 08	30- Oct- 08
US20080269 148	Modified Small Interfering Rna Molecules and Methods of Use	HAN JANG	1- Oct- 04	30- Sep- 05	30- Oct- 08
US20080269 115	Immunogenic Sars Domain	BEADENKOPF ROBERT J	17- Jun- 04	16- Jun- 05	30- Oct- 08
US20080267 997	Modified Viral Particles with Immunogenic Properties and Reduced Lipid Content Useful for Treating and Preventing Infectious Diseases	Lipid Sciences, Inc.	29- Jun- 00	9- May- 08	30- Oct- 08
US20080267 992	Sars Virus Vaccine with Adenovirus Carrier and Preparation Method Thereof, and Use of Sars Virus S Gene for Preparation of Vaccine	Cancer Center, Sun Yat-Sun University	4- Jun- 04	4- Jun- 04	30- Oct- 08
US20080267 819	TRANSPORTABLE DECONTAMINATION UNIT AND DECONTAMINATION PROCESS	BACIK MICHAEL A	6- Mar- 07	20- Feb- 08	30- Oct- 08
US20080261 258	Immune Cell Biosensors and Methods of Using Same	Amaox, Inc.	9-Jul- 04	11- Jul- 05	23- Oct- 08
US20080261 257	Fluorescent Proteins and Related Methods and Compounds	UNIVERSITY OF MASSACHUSETTS	20- Sep- 04	20- Sep- 05	23- Oct- 08
US20080260 775	New Live Virus Vaccines	JOHNSON PHILIP R	15- Feb- 05	15- Feb- 06	23- Oct- 08
US20080260 773	Saccharide Conjugate Vaccines	Not Available	24- Dec- 04	23- Dec- 05	23- Oct- 08
US20080260 769	Polypeptides for Oligomeric Assembly of Antigens	CAPECCHI BARBARA	23- Jul-04	22- Jul- 05	23- Oct- 08
US20080260 764	REPLIKIN PEPTIDES AND USES THEREOF	BOGOCH ELENORE S	30- May- 06	30- May- 07	23- Oct- 08
US20080255 150	Novel Compounds	ASTRAZENECA AB	5- Nov- 05	1- Nov- 06	16- Oct- 08
US20080255 076	Steroid-Derived Pharmaceutical Compositions	JadoLabs GmbH	29- Jun- 04	29- Jun- 05	16- Oct- 08
US20080254 440	Anti-Sars Virus Antibody, Hybridoma Producing the Antibody and Immunoassay Reagent Using the Antibody	FUJII NOBUYUKI	31- Oct- 03	29- Oct- 04	16- Oct- 08

US20080249 145	Salts 668	WHITTOCK ROBERT	8- Feb- 07	7- Feb- 08	9- Oct- 08
US20080249 110	Novel Substituted 3-Sulfur Indoles	BONNERT ROGER	27- May- 03	25- May- 04	9- Oct- 08
US20080249 097	PRODRUGS OF HETEROARYL COMPOUNDS	Koronis Pharmaceuticals, Incorporation	20- Jun- 03	27- Dec- 06	9- Oct- 08
US20080249 039	Modified Short Interfering Rna (Modified Sirna)	SANTARIS PHARMA A/S	30- Jan- 04	28- Jan- 05	9- Oct- 08
US20080248 551	METHODS AND COMPOSITIONS FOR LIVE ATTENUATED VIRUSES	OSORIO JORGE E	6- Apr- 07	4- Apr- 08	9- Oct- 08
US20080248 043	Antibodies to SARS coronavirus	Amgen Inc.	19- May- 06	21- May- 07	9- Oct- 08
US20080242 851	MODIFIED POLYNUCLEOTIDES FOR REDUCING OFF-TARGET EFFECTS IN RNA INTERFERENCE	DHARMACON, INC.	2- Apr- 03	19- Sep- 07	2- Oct- 08
US20080242 794	COLOR STABILIZED ANTIMICROBIAL POLYMER COMPOSITES	BLANTON THOMAS N	30- Mar- 07	30- Mar- 07	2- Oct- 08
US20080242 649	New Combination 665	CADOGAN ELAINE BRIDGET	8- Feb- 07	7- Feb- 08	2- Oct- 08
US20080241 935	Methods for pathogen detection	Searete LLC, a limited liability corporation of the State of Delaware	27- Mar- 07	27- Mar- 07	2- Oct- 08
US20080241 910	Devices for pathogen detection	Searete LLC, a limited liability corporation of the State of Delaware	27- Mar- 07	27- Mar- 07	2- Oct- 08
US20080241 909	Microfluidic chips for pathogen detection	Searete LLC, a limited liability corporation of the State of Delaware	27- Mar- 07	27- Mar- 07	2- Oct- 08
US20080241 511	PRODUCTION OF SILVER SULFATE GRAINS USING INORGANIC ADDITIVES	BLANTON THOMAS N	30- Mar- 07	30- Mar- 07	2- Oct- 08
US20080241 189	Sequential Delivery Of Immunogenic Molecules Via Adenovirus And Adeno-Associated Virus-Mediated Administrations	The Trustees of the University of Pennsylvania	28- Apr- 04	27- Apr- 05	2- Oct- 08
US20080241 000	Systems for pathogen detection	Searete LLC, a limited liability corporation of the State of Delaware	27- Mar- 07	27- Mar- 07	2- Oct- 08
US20080234 345	METHOD FOR REDUCING OR ALLEVIATING INFLAMMATION IN THE DIGESTIVE TRACT	Gene Logic Inc.	8- Sep- 06	7- Sep- 07	25- Sep- 08
US20080234 319	Novel Compounds 679	EBDEN MARK	22- Mar- 07	21- Mar- 08	25- Sep- 08
US20080233 650	Method for propagating adenoviral vectors encoding inhibitory gene products	GENVEC, INC.	10- Nov- 05	9- May- 08	25- Sep- 08
US20080233 570	METHODS FOR IDENTIFICATION OF SEPSIS-CAUSING BACTERIA	HALL THOMAS A	11- Sep- 03	25- May- 07	25- Sep- 08
US20080233 558	Inhibitors of viral entry screening method	Medical Research Council	1- Feb- 05	1- Aug- 07	25- Sep- 08
US20080233 150	RESPIRATORY SYNCYTIAL VIRUS-VIRUS LIKE PARTICLE (VLPS)	MAHMOOD KUTUB	16- Nov- 06	16- Nov- 07	25- Sep- 08
US20080233 128	Treatment of Viral Infections	KRAUSE WERNER	2- Nov- 06	1- Nov- 07	25- Sep- 08
US20080227 817	New Salt I	ASTRAZENECA AB	2- Aug- 05	31- Jul- 06	18- Sep- 08
US20080227 797	Pyridopyrimidine Derivatives as Pde4 Inhibitors for the Treatment of Inflammatory and Immune Diseases	ASTRAZENECA AB	4-Jul- 05	3- Jul- 06	18- Sep- 08
US20080227 219	Electrochemiluminescent assay	Not Available	17- Nov- 04	16- Nov- 05	18- Sep- 08
US20080227 149	Interferon-Alpha Polypeptides and Conjugates	MAXYGEN, INC.	18- Nov- 02	25- Oct- 07	18- Sep- 08
US20080226 681	Highly Active Glycoproteins-Process Conditions and an Efficient Method for their Production	Glycotope GmbH	13- Feb- 04	14- Feb- 05	18- Sep- 08
US20080226 597	EVOLVED INTERFERON-ALPHA POLYPEPTIDES	MAXYGEN, INC.	18- May- 05	17- May- 06	18- Sep- 08
US20080213 891	RNAi Agents Comprising Universal Nucleobases	Alnylam Pharmaceuticals, Inc.	21- Jul-04	6- Aug- 07	4- Sep- 08
US20080213 308	Imidazoquinoline Compounds	CHU DANIEL	14- Sep- 04	14- Sep- 05	4- Sep- 08

US20080213 284	RECEPTOR BINDING POLYPEPTIDES	National Health Research Institutes, a Taiwanese corporation	9- Jan- 04	10- Jan- 05	4- Sep- 08
US20080213 125	Apparatus and Method for Using Ozone as a Disinfectant	Huawei Technologies Co. LTD.	18- Mar- 04	18- Mar- 05	4- Sep- 08
US20080210 748	Systems and methods for receiving pathogen related information and responding	Searete LLC, a limited liability corporation of the State of Delaware,	30- Nov- 05	11- Sep- 07	4- Sep- 08
US20080207 698	Novel Compounds 569	CONNOLLY STEPHEN	20- Dec- 06	19- Dec- 07	28- Aug- 08
US20080207 688	Novel Piperidine Derivatives	ASTRAZENECA AB	21- Jul-05	19- Jul- 06	28- Aug- 08
US20080207 674	Immune Response Modifier Formulations And Methods	Coley Pharmaceutical Group, Inc.	30- Dec- 04	28- Dec- 05	28- Aug- 08
US20080207 650	Chemical Compounds 636	BONNERT ROGER VICTOR	11- Jan- 07	10- Jan- 08	28- Aug- 08
US20080207 597	HOMOPIPERAZINE COMPOUNDS THAT INHIBIT RIBOSOMAL FRAMESHIFTING BY BINDING TO RNA PSEUDOKNOT STRUCTURE OF SARS CORONAVIRUS	SUNGKYUNKWAN UNIVERSITY FOUNDATION FOR CORPORATE COLLABORATION	22- Dec- 06	20- Dec- 07	28- Aug- 08
US20080207 596	Novel compounds 329	MARTIN BARRIE	19- Jun- 06	19- Jun- 07	28- Aug- 08
US20080207 587	Pyridazine Derivatives for Inhibiting Human Stearoyl-Coa-Desaturase	XENON PHARMACEUTICALS INC.	20- Sep- 04	20- Sep- 05	28- Aug- 08
US20080207 573	COMPOUNDS FOR TREATING VIRAL INFECTIONS	Myriad Genetics, Incorporated	16- Oct- 06	7- May- 08	28- Aug- 08
US20080206 283	Vaccine Against Sars	DONG JOHN Y	17- Jun- 03	17- Jun- 04	28- Aug- 08
US20080206 235	COMPOSITIONS AND METHODS FOR STIMULATING AN IMMUNE RESPONSE	Johns Hopkins University	27- Dec- 06	27- Dec- 07	28- Aug- 08
US20080200 505	Piperidines for the Treatment of Chemokine Mediated Diseases	ASTRAZENECA AB	27- May- 05	24- May- 06	21- Aug- 08
US20080199 915	Methods and Kits For Mass Production Of Dsrna	RNA-Line Oy	2- May- 03	2- May- 03	21- Aug- 08
US20080199 495	Stimulation of thymus for vaccination development	Monash University	15- Apr- 99	24- May- 07	21- Aug- 08
US20080199 491	Sustained Release Vaccine Composition	BRANDON MALCOLM	16- Jun- 04	16- Jun- 05	21- Aug- 08
US20080199 481	COMPOUNDS	ASTRAZENECA AB	21- Feb- 07	19- Feb- 08	21- Aug- 08
US20080194 922	POTENTIATION FOR MEDICAL THERAPIES	HOLDEN JAMES F	7- Sep- 05	28- Sep- 07	14- Aug- 08
US20080194 689	Disinfectant and Germicidal Agent	REICHWAGEN SVEN	25- May- 05	26- May- 06	14- Aug- 08
US20080194 632	Novel Piperidine Derivatives as Chemokine Receptor Modulators Useful for the Treatment of Respiratory Diseases	ASTRAZENECA AB	1- Aug- 05	31- Jul- 06	14- Aug- 08
US20080194 481	Albumin Fusion Proteins	Human Genome Sciences, Inc.	21- Dec- 01	31- Oct- 07	14- Aug- 08
US20080194 422	PCR PRIMER SET DETECTING SEVERE ACUTE RESPIRATORY SYNDROME (SARS)-CORONAVIRUS, METHOD AND KIT FOR DETECTING SARS-CORONAVIRUS USING THE SAME	SAMSUNG ELECTRONICS CO., LTD.	12- Dec- 03	21- Apr- 08	14- Aug- 08
US20080193 919	Systems and methods for receiving pathogen related information and responding	Searete LLC, a limited liability corporation of the State of Delaware	30- Nov- 05	22- Jan- 08	14- Aug- 08
US20080193 474	Immunostimulatory Compositions	GRAM CHRISTOPHER D	25- Apr- 05	25- Apr- 06	14- Aug- 08
US20080188 513	1-(2-Methylpropyl)-1H-Imidazo[4,5-C](1,5]Naphthyridin-4-Amine Ethanesulfonate and 1-(2-Methylpropyl)-1H-Imidazo[4,5-C](1,5]Naphthyridin-4-Amine Methanesulfonate	taked Pharmaceutical Company Limited	30- Dec- 04	28- Dec- 05	7- Aug- 08
US20080188 488	Heterocyclic Derivatives and Their Use as Stearoyl-Coa Desaturase Inhibitors	XENON PHARMACEUTICALS INC.	20- Sep- 04	20- Sep- 05	7- Aug- 08
US20080187 609	Methods and apparatus to prevent, treat, and cure the symptoms of nausea caused by chemotherapy treatments of human cancers	VAIL MARILYN L	3- Apr- 00	18- Mar- 08	7- Aug- 08

US20080187528	ANTI-TSG101 ANTIBODIES AND THEIR USES FOR TREATMENT OF VIRAL INFECTIONS	Functional Genetics, Inc.	15-Nov-06	15-Nov-07	7-Aug-08
US20080183396	Systems and methods for transmitting pathogen related information and responding	Searete LLC, a limited liability corporation of the State of Delaware	30-Nov-05	11-Sep-07	31-Jul-08
US20080182900	Method of treatment of virus infections using shikonin compounds	WANG FEIXIN	21-Feb-03	26-Sep-07	31-Jul-08
US20080182874	Novel Compounds	ASTRAZENECA AB	30-Nov-04	28-Nov-05	31-Jul-08
US20080181969	POLYMER COMPOSITE	BARNES CRAIG L	31-Jan-07	31-Jan-07	31-Jul-08
US20080176902	Salt III	ASTRAZENECA AB	2-Aug-05	31-Jul-06	24-Jul-08
US20080176841	EPOXIDE INHIBITORS OF CYSTEINE PROTEASES	THE BOARD OF TRUSTEES OF THE LELAND STANFORD JUNIOR UNIVERSITY	13-Jun-06	13-Jun-07	24-Jul-08
US20080176217	METHOD OF PREDICTING INFLUENZA OUTBREAKS BY CORRELATING AN INCREASE IN REPLIKIN COUNT IN SHRIMP WHITE SPOT SYNDROME VIRUS AND/OR TAURA SYNDROME VIRUS	BOGOCH ELENORE S	24-Oct-06	24-Oct-07	24-Jul-08
US20080175861	MODIFIED POLYMERASES AND ATTENUATED VIRUSES AND METHODS OF USE THEREOF	THE PENN STATE RESEARCH FOUNDATION	22-Dec-06	24-Dec-07	24-Jul-08
US20080175832	Materials and Methods for Prevention and Treatment of RNA Viral Diseases	BEHERA ARUNA K	30-Apr-02	17-Jan-08	24-Jul-08
US20080172247	Method to Decrease the Risk of a Vaccine-Induced Chronic Immune Mediated Disorder in Humans With a Family History of the Disorder	CLASSEN IMMUNOTHERAPIES	6-Apr-04	6-Apr-05	17-Jul-08
US20080171363	INTERFERON-ALPHA POLYPEPTIDES AND CONJUGATES	MAXYGEN, INC.	19-May-04	14-Aug-07	17-Jul-08
US20080171066	Listeriolysin-Containing Bacillus Spores as Antigen Delivery Agents	CUTTING SIMON	19-Feb-05	20-Feb-06	17-Jul-08
US20080171057	Reagents, Devices, and Methods For Proteomic Analysis With Applications Including Diagnostics, Vaccines, Quality Control and Research	NETWORK IMMUNOLOGY INC.	21-Apr-04	19-Apr-05	17-Jul-08
US20080170996	Compositions and Methods for Stimulation of Lung Innate Immunity	The Board of Regents of the University of Texas System	28-Jul-06	30-Jul-07	17-Jul-08
US20080167332	Novel Compounds 243	ELKINS BARRY	19-Jul-06	18-Jul-07	10-Jul-08
US20080167321	Pyridine Derivatives For Inhibiting Human Stearoyl-Coa-Desaturase	XENON PHARMACEUTICALS INC.	20-Sep-04	20-Sep-05	10-Jul-08
US20080167198	Filter based detection system	COONEY CHRISTOPHER GERARD	4-Jan-07	4-Jan-07	10-Jul-08
US20080166793	Sorting, amplification, detection, and identification of nucleic acid subsequences in a complex mixture	The Regents of the University of California	4-Jan-07	4-Jan-07	10-Jul-08
US20080166701	Immunoassay Method and Immunoassay Kit to Be Used Therein	ARKRAY, Inc.	25-Jul-05	24-Jul-06	10-Jul-08
US20080166370	Immunogenic Compositions Comprising Multiple Gonococcal Antigens	CHIRON SRL	26-Jun-03	25-Jun-04	10-Jul-08
US20080160010	Peptide That Elicits Neutralizing Antibodies Targeting the Hiv Co-Receptor	The Government of the United States of America as	9-Apr-04	11-Apr-05	3-Jul-08
US20080159962	Use of Inhibitors of the Renin-Angiotensin System for the Treatment of Lung Injuries	IMBA-INSTITUTE FUR MOLEKULARE BIOTECHNOLOGIE GMBH	19-May-05	19-May-06	3-Jul-08
US20080156743	HAZARDOUS SUBSTANCE REMOVING MATERIAL, METHOD FOR REMOVING HAZARDOUS SUBSTANCES, AND NONWOVEN FABRIC	FUJIFILM Corporation	27-Dec-06	27-Dec-07	3-Jul-08
US20080154210	Mixture for Transdermal Delivery of Low and High Molecular Weight Compounds	ORYXE	28-May-04	25-May-05	26-Jun-08
US20080153850	Adamantyl Derivates as P2x7 Receptor Antagonists	AstraZeneca AB	30-Aug-04	29-Aug-05	26-Jun-08
US20080153837	Novel Fluorene Derivatives, Composition Containing Said Derivatives and the Use Thereof	AVENTIS PHARMA S.A.	19-May-05	14-Nov-07	26-Jun-08
US20080152728	Noble gas-chlorine mixture effective against micro organisms	GLOBUS ALFRED R	7-Jul-03	25-Apr-07	26-Jun-08

US20080152 544	Building decontamination with vaporous hydrogen peroxide	STERIS INC.	29- Jan- 04	3- Mar- 08	26- Jun- 08
US20080149 100	Antiviral Heat Treatment	DE HAAN PETRUS THEODORUS	20- Dec- 06	20- Dec- 06	26- Jun- 08
US20080146 612	Novel Biaromatic Compounds, Inhibitors of the P2X7-Receptor	ASTRAZENECA AB	27- Jan- 05	25- Jan- 06	19- Jun- 08
US20080146 455	METHODS FOR IDENTIFICATION OF SEPSIS-CAUSING BACTERIA	HALL THOMAS A	11- Sep- 03	25- May- 07	19- Jun- 08
US20080145 847	METHODS FOR IDENTIFICATION OF SEPSIS-CAUSING BACTERIA	HALL THOMAS A	11- Sep- 03	25- May- 07	19- Jun- 08
US20080138 808	METHODS FOR IDENTIFICATION OF SEPSIS-CAUSING BACTERIA	HALL THOMAS A	11- Sep- 03	25- May- 07	12- Jun- 08
US20080132 502	5-Heteroaryl Thiazoles And Their Use As PI3K Inhibitors	ARNOULD JEAN-CLAUDE	9- Nov- 04	7- Nov- 05	5- Jun- 08
US20080132 480	Biphenyloxyacetic Acid Derivatives for the Treatment of Respiratory Disease	AstraZeneca AB	24- Aug- 04	22- Aug- 05	5- Jun- 08
US20080131 465	Group a Streptococcus Crge Protein	MANETTI ANDREA	27- Sep- 04	27- Sep- 05	5- Jun- 08
US20080131 446	Vaccine Composition	SANOFI PASTEUR SA	17- Nov- 03	9- Jan- 08	5- Jun- 08
US20080125 434	Heterocyclic Derivatives and Their Use as Stearoyl-Coa Desaturase Inhibitors	XENON PHARMACEUTICALS INC.	20- Sep- 04	20- Sep- 05	29- May- 08
US20080124 323	Nutritional Composition Comprising Indigestible Oligosaccharides	N.V. Nutricia	24- Aug- 04	24- Aug- 05	29- May- 08
US20080124 311	Novel pharmaceutical compositions for the treatment of virus infection and cancer	Illumigen Biosciences, Inc.	23- Nov- 05	17- Nov- 06	29- May- 08
US20080124 303	Methods and compositions for treatment of viral infections	Cavit Sciences, Inc	12- Dec- 05	12- Jul- 07	29- May- 08
US20080124 302	Uses of Recombinant Super-Compound Interferons	WEI GUANGWEN	9- Mar- 05	9- Mar- 06	29- May- 08
US20080118 530	Modulation of Replicative Fitness By Deoptimization of Synonymous Codons	BURNS CARA C	8- Oct- 04	7- Oct- 05	22- May- 08
US20080118 517	Human monoclonal antibodies against interleukin 8 (IL-8)	GENMAB A/S	16- Dec- 02	27- Jun- 07	22- May- 08
US20080118 495	Mammalian Genes Involved in Infection	RUBIN DONALD H	27- Oct- 04	27- Oct- 05	22- May- 08
US20080118 473	Methods of treating a respiratory condition comprising probiotic treatment	Alimentary Health Ltd.	1- Nov- 06	31- Oct- 07	22- May- 08
US20080114 019	Hydroxylamine Substituted Imidazoquinolines	Coley Pharmaceutical Group, Inc.	12- Aug- 03	12- Aug- 04	15- May- 08
US20080114 002	Substituted Acids for the Treatment of Respiratory Diseases	ASTRAZENECA AB	8-Jul- 04	6- Jul- 05	15- May- 08
US20080113 409	Transient protein expression methods	HATEBOER GUUS	15- Apr- 99	1- Jun- 07	15- May- 08
US20080113 337	Method of Examining/Judging Presence of Virus Infection such as HIV or Presence of Prion Infection by Near-Infrared Spectroscopy and Device Used in Same	OSAKA UNIVERSITY	12- Nov- 04	10- Nov- 05	15- May- 08
US20080108 629	Heterocyclic Derivatives for the Treatment of Diseases Mediated by Stearoyl-Coa Desaturase Enzymes	XENON PHARMACEUTICALS INC.	20- Sep- 04	20- Sep- 05	8- May- 08
US20080107 650	METHOD FOR TREATING INFLAMMATORY DISEASES OF THE DIGESTIVE TRACT	Gene Logic Inc.	8- Sep- 06	7- Sep- 07	8- May- 08
US20080103 746	Systems and methods for pathogen detection and response	Searete LLC, a limited liability corporation	30- Nov- 05	11- Sep- 07	1- May- 08
US20080103 149	NOVEL TETRACYCLIC INHIBITORS OF CYSTEINE PROTEASES, THE PHARMACEUTICAL COMPOSITIONS THEREOF AND THEIR THERAPEUTIC APPLICATIONS	COLLAND FREDERIC	30- Oct- 06	30- Oct- 06	1- May- 08
US20080102 444	METHODS AND COMPOSITIONS FOR DETECTING RHINOVIRUSES	Focus Technologies, Inc.	6-Jul- 04	15- Oct- 07	1- May- 08
US20080096 959	Durable Biocides and Disinfectants	MITSUI NORIN CO., LTD.	7-Jul- 04	5- Jul- 05	24- Apr- 08

US20080096 928	Methods for treating Hepatitis C	AREFOLOV ALEXANDER	14- Jul-04	14- Jul-05	24- Apr-08
US20080096 895	Heterocyclic Derivatives and Their Use as Stearoyl-Coa Desaturase Inhibitors	XENON PHARMACEUTICALS INC.	20- Sep-04	20- Sep-05	24- Apr-08
US20080096 186	PCR PRIMER SET FOR DETECTING SEVERE ACUTE RESPIRATORY SYNDROME (SARS)-CORONAVIRUS, METHOD AND KIT FOR DETECTING SARS-CORONAVIRUS USING THE SAME	HWANG JUNG-JOO	12- Dec-03	24- Nov-04	24- Apr-08
US20080090 913	Sphingolipid-Derived Phamaceutical Compositions	BRAXMEIER TOBIAS	29- Jun-04	29- Jun-05	17- Apr-08
US20080090 841	METHODS OF ENHANCING MUCOSAL HYDRATION AND MUCOSAL CLEARANCE BY TREATMENT WITH SODIUM CHANNEL BLOCKERS AND OSMOLYTES	PARION SCIENCES, Inc.	7- Sep-06	7- Sep-07	17- Apr-08
US20080090 791	Cystic fibrosis treatment methods	Hollis-Eden Pharmaceuticals, Inc.	13- Oct-06	13- Oct-06	17- Apr-08
US20080090 229	Devices for generating detectable polymers	ENGELHARD ERIC K	12- Oct-06	12- Oct-06	17- Apr-08
US20080090 224	Nucleic acid detection	HAI KANG LIFE CORPORATION LIMITED	2- May-03	30- Apr-04	17- Apr-08
US20080085 895	Substituted Chiral Fused [1,2]Imidazo[4,5-C] Ring Compounds	DANIELSON MICHAEL M	30- Dec-04	29- Dec-05	10- Apr-08
US20080085 873	Disease treatment methods	Hollis-Eden Pharmaceuticals, Inc.	28- Aug-02	13- Oct-06	10- Apr-08
US20080081 047	Anti-Sars Monoclonal Antibodies	ANDONOV ANTON	5- Dec-03	6- Dec-04	3- Apr-08
US20080076 710	INTERFERON-ALPHA POLYPEPTIDES AND CONJUGATES	MAXYGEN, INC.	19- May-04	4- May-07	27- Mar-08
US20080076 115	Compositions and Methods for Detecting Severe Acute Respiratory Syndrome Coronavirus	GILLIM-ROSS LAURA	3- Nov-03	3- Nov-04	27- Mar-08
US20080075 740	Adeno-associated virus (AAV) serotype 8 sequences, vectors containing same, and uses therefor	The Trustees of the University of Pennsylvania	17- Dec-01	31- Oct-07	27- Mar-08
US20080075 737	Adeno-Associated Virus (AAV) serotype 8 sequences, vectors containing same, and uses therefor	The Trustees of the University of Pennsylvania	17- Dec-01	6- Sep-07	27- Mar-08
US20080075 693	METHODS FOR TREATING VIRAL INFECTION USING IL-28 AND IL-29 CYSTEINE MUTANTS	ZymoGenetics, Inc.	2- Apr-04	20- Sep-07	27- Mar-08
US20080071 063	Protein Formulations	MedImmune, Inc.	3- Feb-06	2- Feb-07	20- Mar-08
US20080070 907	Substituted chiral fused [1,2] imidazo [4,5-C] ring compounds and methods	Coley Pharmaceutical Group, Inc.	12- Jul-06	12- Jul-07	20- Mar-08
US20080069 839	ISOLATION AND CHARACTERIZATION OF THE PRECURSOR VIRUS OF HUMAN SARS VIRUS: SARS-ASSOCIATED CORONA VIRUS-LIKE VIRUS	GUAN YI	22- May-03	24- May-04	20- Mar-08
US20080069 838	NOVEL HUMAN VIRUS CAUSING SEVERE ACUTE RESPIRATORY SYNDROME (SARS) AND USES THEREOF	CHAN KWOK HUNG	24- Mar-04	24- Mar-04	20- Mar-08
US20080069 836	METHOD OF USING ADENOVIRAL VECTORS WITH INCREASED IMMUNOGENICITY IN VIVO	and Human Services	1- Sep-04	26- Feb-07	20- Mar-08
US20080069 830	Dna Sequences, Peptides, Antibodies and Vaccines for Prevention and Treatment of Sars	HOFFMAN STEPHEN L	24- Jun-03	24- Jun-04	20- Mar-08
US20080069 804	Alphavirus Replicon Packaging Constructs	PERRI SILVIA	25- May-04	20- May-05	20- Mar-08
US20080064 105	Animal protein-free media for cultivation of cells	Baxter Healthcare Corporation	29- Oct-04	30- Oct-07	13- Mar-08
US20080064 080	Animal protein-free media for cultivation of cells	Baxter Healthcare Corporation	29- Oct-04	30- Oct-07	13- Mar-08
US20080063 664	High-yield transgenic mammalian expression system for generating virus-like particles	Academia Sinica	5- Sep-06	5- Sep-06	13- Mar-08
US20080058 309	Novel Compounds 171	ASTRAZENECA AB	27- Jul-06	26- Jul-07	6- Mar-08
US20080057 513	METHOD FOR PRODUCING NUCLEIC ACID PROBES	Ventana Medical Systems, Inc.	1- Sep-06	31- Aug-07	6- Mar-08



US20080051 297	Method for determining antigen-specific T cell response in high throughput format	Centro di Biotecnologie Avanzate and istituto Giannina Gaslini	12- Jun- 06	11- Jun- 07	28- Feb- 08
US20080050 718	Methods, Articles, and Compositions for Identifying Oligonucleotides	ATKINS JOHN F	14- Nov- 03	15- Nov- 04	28- Feb- 08
US20080044 816	Assay for Sars Coronavirus by Amplification and Detection of the Replicase Sequence	BECTON, DICKINSON AND COMPANY	12- Sep- 03	13- Sep- 04	21- Feb- 08
US20080044 814	Reagents and Methods for Detecting Severe Acute Respiratory Syndrome Coronavirus	HIBBERD MARTIN L	21- Apr- 03	21- Apr- 04	21- Feb- 08
US20080044 438	Yeast Cell Particles As Oral Delivery Vehicles For Antigens	OSTROFF GARY R	17- Mar- 06	16- Mar- 07	21- Feb- 08
US20080044 437	Encapsidation System for Production of Recombinant Virus-Like Particles	CHEN QUN	2- Sep- 04	1- Sep- 05	21- Feb- 08
US20080044 426	Novel Atypical Pneumonia-Causing Virus	BESTEBROER THEODORUS MARINUS	18- Nov- 03	18- Nov- 04	21- Feb- 08
US20080044 423	COMPOUNDS	COCHRANE DUNCAN	23- Jun- 06	22- Jun- 07	21- Feb- 08
US20080044 384	Recombinant Human Cytomegalovirus And Vaccines Comprising Heterologous Antigens	MedImmune Vaccines, Inc.	25- Jun- 04	24- Jun- 05	21- Feb- 08
US20080044 378	Methods and Compositions for Protein Production Using Adenoviral Vectors	INTROGEN THERAPEUTICS, INC.	15- May- 06	15- May- 07	21- Feb- 08
US20080033 172	Mutagenic Heterocycles	Koronis Pharmaceuticals, Incorporated	19- Dec- 03	10- Dec- 04	7- Feb- 08
US20080031 979	USE OF EXTRACTS FOR THE TREATMENT OF VIRAL DISORDERS	BODDUPALLI SEKHAR	4- Aug- 06	4- Aug- 06	7- Feb- 08
US20080031 877	Purification of bacterial antigens	COVACCI ANTONELLO	17- Feb- 06	16- Feb- 07	7- Feb- 08
US20080031 868	HUMAN LYSOZYME MEDICINE, ITS MANUFACTURING METHOD AND APPLICATION THEREOF	AN MI	9- Jun- 05	9- Jun- 05	7- Feb- 08
US20080031 853	INTERFERON-ALPHA POLYPEPTIDES AND CONJUGATES	ROCHE PALO ALTO LLC	19- May- 04	15- Aug- 07	7- Feb- 08
US20080031 770	Apparatus and method for using ozone as a disinfectant	BOAST NIGEL	2- Aug- 06	29- Nov- 06	7- Feb- 08
US20080027 092	1-Acetic Acid-Indole, -Indazole and -Benzimidazole Derivatives Useful for the Treatment of Respiratory Disorders	BONNERT ROGER VICTOR	26- Nov- 03	24- Nov- 04	31- Jan- 08
US20080027 006	Compositions And Methods For Modification And Prevention Of Sars Coronavirus Infectivity	The Regents of the University of Colorado	12- Feb- 04	14- Feb- 05	31- Jan- 08
US20080021 038	Novel Piperidine/8-Azabicyclo [3.2.1.] Octan Derivatives As Modulators Of Chemokine Receptor Ccr5	FAULL ALAN	24- Jun- 04	20- Jun- 05	24- Jan- 08
US20080020 379	Diagnosis and prognosis of infectious diseases clinical phenotypes and other physiologic states using host gene expression biomarkers in blood	AGAN BRIAN K	5- Nov- 04	7- Nov- 05	24- Jan- 08
US20080015 247	QUERCETIN-CONTAINING COMPOSITIONS	LINES THOMAS C	17- Jul- 06	16- Jul- 07	17- Jan- 08
US20080015 230	HETEROCYCLIC DERIVATIVES AND THEIR USE AS THERAPEUTIC AGENTS	XENON PHARMACEUTICALS INC.	20- Sep- 04	20- Sep- 05	17- Jan- 08
US20080015 194	METHODS AND COMPOSITIONS OF TARGETED DRUG DEVELOPMENT	Joseph Errico	23- Jan- 06	23- Jan- 07	17- Jan- 08
US20080015 184	Urea Substituted Imidazopyridines, Imidazoquinolines, and Imidazonaphthyridines	3M INNOVATIVE PROPERTIES COMPANY	14- Jun- 04	14- Jun- 05	17- Jan- 08
US20080014 204	Compositions Against Sars-Coronavirus and Uses Thereof	DE KRUIF CORNELIS A	11- Nov- 04	10- Nov- 05	17- Jan- 08
US20080014 183	Anticancer Agent Containing Dendritic Cell Having Rna Virus Transferred Thereinto	DNAVEC RESEARCH INC.	24- Jun- 04	28- Apr- 05	17- Jan- 08
US20080009 496	MUTAGENIC HETEROCYCLES	Koronis Pharmaceuticals, Inc.	19- Dec- 03	27- Dec- 06	10- Jan- 08
US20080009 040	ANIMAL PROTEIN-FREE MEDIA FOR CULTIVATION OF CELLS	Baxter Healthcare Corporation	29- Oct- 04	20- Sep- 07	10- Jan- 08
US20080004 236	High Dose, Short Interval Use of Sulfated Polysaccharides for Treatment of Infections	COMPER WAYNE D	6- Feb- 04	7- Feb- 05	3- Jan- 08
US20080004 228	New Expression Tools for Multiprotein Applications	BERGER IMRE	9- Mar- 04	25- Nov- 04	3- Jan- 08

US20080004 206	Albumin fusion proteins	BELL ADAM	21- Dec- 01	31- Jul- 06	3- Jan- 08
US20080003 236	ADENOVIRUS FIBER SHAFT COMPOSITION AND METHODS OF USE	GenVec, Inc.	18- Oct- 04	13- Apr- 07	3- Jan- 08
US20070299 081	Heterocyclic Derivatives and Their Use as Mediators of Stearoyl-Coa Desaturase	XENON PHARMACEUTICALS INC.	20- Sep- 04	20- Sep- 05	27- Dec- 07
US20070298 415	Method of Amplifying Nucleic Acid	Takara Bio Inc.	10- Dec- 03	6- Dec- 04	27- Dec- 07
US20070292 453	RNA virus vaccines and methods	DITTMER DIRK P	14- Dec- 05	14- Dec- 06	20- Dec- 07
US20070287 725	Isoxazole, Dihydroisoxazole, And Oxadiazole Substituted Imidazo Ring Compounds And Method	3M INNOVATIVE PROPERTIES COMPANY	18- Jun- 04	17- Jun- 05	13- Dec- 07
US20070287 724	Substituted Imidazoquinolines, Imidazopyridines, and Imidazonaphthyridines	3M INNOVATIVE PROPERTIES COMPANY	18- Jun- 04	17- Jun- 05	13- Dec- 07
US20070286 872	Live Attenuated Nidovirus Vaccines	Vanderbilt University	22- Apr- 03	22- Apr- 04	13- Dec- 07
US20070286 822	Compounds for the Treatment of Periodontal Disease	ANACOR PHARMACEUTICALS INC.	12- Jun- 06	12- Jun- 07	13- Dec- 07
US20070281 325	COMPOSITIONS AND METHODS FOR ANALYSIS OF TARGET ANALYTES	DANIELZADEH ROBERT	17- Sep- 03	20- Jul- 06	6- Dec- 07
US20070276 009	Compositions and Methods for Viral Inhibition	CHANG BRYAN	15- Oct- 03	15- Oct- 04	29- Nov- 07
US20070275 938	Therapeutic Treatment Methods	AHLEM CLARENCE N	28- Aug- 02	12- Feb- 07	29- Nov- 07
US20070275 937	Therapeutic Treatment Methods	AHLEM CLARENCE N	28- Aug- 02	12- Feb- 07	29- Nov- 07
US20070275 883	2'-C-methyl-3'-O-L-valine ester ribofuranosyl cytidine for treatment of flaviviridae infections	GOSELIN GILLES	28- Jun- 02	6- Sep- 06	29- Nov- 07
US20070275 879	Use of Ulinastatin and Its Pharmaceutical Composition for Treating Severe Acute Respiratory Syndrome	GUANGDONG TECHPOOL BIOCHEM PHA	26- May- 03	25- May- 04	29- Nov- 07
US20070275 465	Double-Stranded Ribonucleic Acid with Increased Effectiveness in an Organism	Alnylam Pharmaceuticals	13- Jun- 03	14- Jun- 04	29- Nov- 07
US20070275 091	Compositions And Methods For Improved Mucus Function	KING MALCOLM	30- Mar- 04	30- Mar- 05	29- Nov- 07
US20070275 002	Use Of Proteins And Peptides Encoded By The Genome Of A Novel Sars-Associated Coronavirus Strain	AZEBI SALIHA	2- Dec- 03	2- Dec- 04	29- Nov- 07
US20070274 994	Virulence-Associated Adhesins	Novartis Vaccines and Diagnostics, Inc.	26- Jun- 03	25- Jun- 04	29- Nov- 07
US20070274 983	Nutritional Composition Comprising Immunoglobulins and Oligosaccharides	NUTRICIA NV	24- Aug- 04	24- Aug- 05	29- Nov- 07
US20070274 950	INTERFERON-ALPHA POLYPEPTIDES AND CONJUGATES	MAXYGEN INC	18- Nov- 02	19- May- 04	29- Nov- 07
US20070274 922	Water Soluble Boronic Acid Fluorescent Reporter Compounds and Methods of Use Thereof	FANG HAO	5- Sep- 03	7- Sep- 04	29- Nov- 07
US20070270 361	Sars Nucleic Acids, Proteins, Vaccines, and Uses Thereof	CHOU TE-HUI W	4- Aug- 03	4- Aug- 04	22- Nov- 07
US20070270 360	Rna Interference Mediated Inhibition of Severe Acute Respiratory Syndrome (Sars) Gene Expression Using Short Interfering Nucleic Acid	SIRNA THERAPEUTICS, INC.	15- Apr- 03	13- Apr- 04	22- Nov- 07
US20070266 957	Antipathogenic Domestic Livestock House, Disinfectants for Domestic Livestock House, Disinfectants for Living Organisms, Feedstuffs and Drinking Water for Animals	TAKAHASHI KAZUO	28- Sep- 04	25- Aug- 05	22- Nov- 07
US20070265 236	Asthma Treatment Methods	AHLEM CLARENCE N	28- Aug- 02	16- Oct- 06	15- Nov- 07
US20070265 226	Hydrolytically-Resistant Boron-Containing Therapeutics And Methods Of Use	Anacor Pharmaceuticals	2- May- 06	2- May- 07	15- Nov- 07
US20070259 914	Novel Piperidine Derivates as Modulators of Chemokine Receptor Ccr5.	TUCKER HOWARD	24- Jun- 04	20- Jun- 05	8- Nov- 07
US20070259 907	ARYL AND ARYLALKYLENYL SUBSTITUTED THIAZOLOQUINOLINES AND THIAZOLONAPHTHYRIDINES	PRINCE RYAN B	18- Jun- 04	17- Jun- 05	8- Nov- 07

US20070259 881	Substituted Imidazo Ring Systems and Methods	CELEBI AZIM A	18- Jun- 04	17- Jun- 05	8- Nov- 07
US20070258 999	Sars Virus Nucleotide and Amino Acid Sequences and Uses Thereof	THE PUBLIC HEALTH AGENCY OF CANADA	28- Apr- 03	28- Apr- 04	8- Nov- 07
US20070254 906	Method of Administration of Dopamine Receptor Agonists	DarPharma, Inc.	21- Jul-04	21- Jul- 05	1- Nov- 07
US20070254 329	Mammalian Genes Involved in Viral Infection and Tumor Suppression	RUBIN DONALD H	2- May- 02	2- May- 03	1- Nov- 07
US20070253 978	Copy choice recombination and uses thereof	NIMAN HENRY L	2-Jul-04	29- Dec- 06	1- Nov- 07
US20070253 860	Process and device for sterilising ambient air	SCHRODER WERNER	18- Oct- 04	18- Apr- 07	1- Nov- 07
US20070249 686	Modulators of Crth-2 Receptor Activity for the Treatment of Prostaglandin D2 Mediated Diseases	ASTRAZENECA AB	5- Oct- 04	3- Oct- 05	25- Oct- 07
US20070248 969	COMPOSITIONS FOR USE IN IDENTIFICATION OF BACTERIA	BLYN LAWRENCE	11- Sep- 03	13- Mar- 07	25- Oct- 07
US20070248 949	Sensitive and Specific Test to Detect Sars Coronavirus	AGENCY FOR SCIENCE, TECHNOLOGY AND RESEARCH	17- Dec- 03	17- Dec- 04	25- Oct- 07
US20070244 133	Thienopyrimidines and Thiazolopyrimidines for Use in Medicine	BOWER JUSTIN F	4- Jun- 04	31- May- 05	18- Oct- 07
US20070244 044	Antimicrobial Peptides	NOVABIOTICS LIMITED	18- Aug- 04	18- Aug- 05	18- Oct- 07
US20070243 600	System for performing multi-formatted assays	GEN-PROBE INCORPORATED	10- Mar- 05	10- Mar- 06	18- Oct- 07
US20070243 544	COMPOSITIONS FOR USE IN IDENTIFICATION OF BACTERIA	BLYN LAWRENCE	11- Sep- 03	13- Mar- 07	18- Oct- 07
US20070243 263	Antiviral Methods	AgION Technologies, Inc.	14- Apr- 06	21- Mar- 07	18- Oct- 07
US20070238 681	MODULATION OF ACE2 EXPRESSION	BENNETT C F	7- Nov- 06	7- Dec- 06	11- Oct- 07
US20070238 116	COMPOSITIONS FOR USE IN IDENTIFICATION OF BACTERIA	BLYN LAWRENCE	11- Sep- 03	13- Mar- 07	11- Oct- 07
US20070231 347	Immunization Regimen with E4-Deleted Adenovirus Prime and E1-Deleted Adenovirus Boost	The Trustees of the University of Pennsylvania	28- Apr- 04	27- Apr- 05	4- Oct- 07
US20070231 344	Conjugate vaccines for non-proteinaceous antigens	The Brigham and Women's Hospital, Inc.	28- Oct- 05	30- Oct- 06	4- Oct- 07
US20070231 303	METHODS OF GENERATING CHIMERIC ADENOVIRUSES AND USES FOR SUCH CHIMERIC ADENOVIRUSES	The Trustees of the University of Pennsylvania	20- Jun- 03	20- Jun- 03	4- Oct- 07
US20070231 295	Antimicrobial Silicon Oxide Flakes	BUJARD PATRICE	12- May- 04	2- May- 05	4- Oct- 07
US20070225 303	8-Oxoadenine Compound	HASHIMOTO KAZUKI	26- Mar- 04	25- Mar- 05	27- Sep- 07
US20070225 205	INTERFERON-ALPHA POLYPEPTIDES AND CONJUGATES	MAXYGEN, INC.	19- May- 04	14- Sep- 06	27- Sep- 07
US20070225 204	INTERFERON-ALPHA POLYPEPTIDES AND CONJUGATES	MAXYGEN, INC.	19- May- 04	14- Sep- 06	27- Sep- 07
US20070224 700	Method and apparatus for analyzing bioprocess fluids	BioScale, Inc.	2- May- 05	19- Dec- 06	27- Sep- 07
US20070224 614	COMPOSITIONS FOR USE IN IDENTIFICATION OF BACTERIA	BLYN LAWRENCE	11- Sep- 03	7- Mar- 07	27- Sep- 07
US20070219 228	Aryl substituted imidazonaphthyridines	AMOS DAVID T	18- Jun- 04	17- Jun- 05	20- Sep- 07
US20070219 211	Bicyclic Heterocyclic Derivatives and Their Use as Inhibitors of Stearoyl-Coadesaturase (Scd)	XENON PHARMACEUTICALS INC.	20- Sep- 04	20- Sep- 05	20- Sep- 07
US20070219 200	PRODRUGS OF HETEROARYL COMPOUNDS	Koronos Pharmaceuticals, Incorporated	20- Jun- 03	15- May- 07	20- Sep- 07
US20070219 196	AMIDE SUBSTITUTED IMIDAZOPYRIDINES, IMIDAZOQUINOLINES, AND IMIDAZONAPHTHYRIDINES	AMOS DAVID T	24- Mar- 04	24- Mar- 05	20- Sep- 07
US20070219 149	Novel Vaccine Containing Adjuvant Capable Of Inducing Mucosal Immunity	Japan as Represented by the Director-General of National Institute of Infectious Diseases	11- Aug- 03	10- Aug- 04	20- Sep- 07

US20070218 536	Polyvalent Viral Vectors and a System for Production Thereof	GAO GUANGPING	28- Apr- 04	27- Apr- 05	20- Sep- 07
US20070218 489	COMPOSITIONS FOR USE IN IDENTIFICATION OF BACTERIA	BLYN LAWRENCE	11- Sep- 03	13- Mar- 07	20- Sep- 07
US20070218 467	Methods for rapid identification and quantitation of nucleic acid variants	ECKER DAVID J	21- Jul- 05	21- Jul- 06	20- Sep- 07
US20070218 001	Biotherapeutics, Diagnostics and Research Reagents	BIOTECH STUDIO, LLC	5- Jan- 04	4- Jan- 05	20- Sep- 07
US20070213 356	Nitrogen-Containing Heterocyclyl Substituted Imidazoquinolines and Imidazonaphthyridines	HARALDSON CHAD A	15- Jun- 04	15- Jun- 05	13- Sep- 07
US20070213 309	Sepsis Treatment Methods	AHLEM CLARENCE N	28- Aug- 02	16- Oct- 06	13- Sep- 07
US20070212 770	Oligopeptide-free cell culture media	Baxter Healthcare, S.A.	4- Jan- 06	3- Jan- 07	13- Sep- 07
US20070212 677	Identifying off-target effects and hidden phenotypes of drugs in human cells	Odyssey Thera, Inc.	22- Nov- 04	31- Aug- 06	13- Sep- 07
US20070208 052	Aryloxy and arylalkyleneoxy substituted thiazoloquinolines and thiazolonaphthyridines	HEPPNER PHILIP D	18- Jun- 04	17- Jun- 05	6- Sep- 07
US20070207 526	Norovirus and sapovirus antigens	COIT DORIS	22- Nov- 05	22- Nov- 06	6- Sep- 07
US20070203 209	Useful indole compounds	BARTOLINI WILMIN	18- Aug- 05	18- Aug- 06	30- Aug- 07
US20070203 107	Pharmaceutical compositions	Hollis-Eden Pharmaceuticals, Inc.	28- Aug- 02	13- Oct- 06	30- Aug- 07
US20070203 082	RNAI Agents For Anti-SARS Coronavirus Therapy	Intradigm Corporation	25- Apr- 03	26- Apr- 04	30- Aug- 07
US20070203 073	SARS and Ebola inhibitors and use thereof, and methods for their discovery	BATES PAUL	22- Jun- 05	21- Jun- 06	30- Aug- 07
US20070203 060	Casein Derived Peptides And Therapeutic Uses Thereof	SIDELMAN ZVI	1- Mar- 04	1- Sep- 06	30- Aug- 07
US20070202 492	Viral Assay	University Of Warwick	15- Apr- 04	14- Apr- 05	30- Aug- 07
US20070197 646	SUBSTITUTED TARAXASTANES USEFUL FOR TREATING VIRAL INFECTIONS	ACHILLION PHARMACEUTICALS, INC.	21- Feb- 06	20- Feb- 07	23- Aug- 07
US20070197 478	NOVEL PHARMACEUTICALS	PFIZER LTD	17- Feb- 06	16- Feb- 07	23- Aug- 07
US20070196 818	Using Nucleic Acids for Clinical Microbiology Testing	O'HARA STEPHEN	22- Oct- 03	22- Oct- 04	23- Aug- 07
US20070196 434	Methods of preventing or treating sinusitis with oxidative reductive potential water solution	Oculus Innovative Sciences, Inc.	20- Jan- 06	22- Jan- 07	23- Aug- 07
US20070196 357	Methods of treating or preventing inflammation and hypersensitivity with oxidative reductive potential water solution	Oculus Innovative Sciences, Inc.	20- Jan- 06	22- Jan- 07	23- Aug- 07
US20070196 333	Composition comprising mixtures of IFN-alpha subtypes	HUANG SHIR-LY	23- Feb- 06	23- Feb- 06	23- Aug- 07
US20070196 274	Immunoconjugates with improved efficacy for the treatment of diseases	SUN LE	20- Jan- 06	19- Jan- 07	23- Aug- 07
US20070192 906	Rice plant having vaccine gene transferred thereinto	EBINUMA HIROYASU	9- Apr- 04	8- Apr- 05	16- Aug- 07
US20070192 905	Edible vaccines expressed in soybeans	The University of North Carolina	12- Oct- 04	12- Oct- 05	16- Aug- 07
US20070191 294	Short interfering rna (sirna) analogues	SANTARIS PHARMA AS	21- Mar- 03	22- Mar- 04	16- Aug- 07
US20070190 163	Technology for preparation of macromolecular microspheres	FANG FANG	24- Jan- 06	24- Jan- 07	16- Aug- 07
US20070190 071	9-Substituted 8-oxoadenine compound	AstraZeneca Aktiebolag	26- Mar- 04	24- Mar- 05	16- Aug- 07
US20070190 065	Nucleic acids, polypeptides, methods of expression, and immunogenic compositions associated with SARS corona virus spike protein	ALTMAYER RALF	3- Jun- 05	4- Dec- 06	16- Aug- 07

US20070190031	Plasmid having three complete transcriptional units and immunogenic compositions for inducing an immune response to hiv	EGAN MICHAEL	17-Jun-04	15-Jun-05	16-Aug-07
US20070185044	Modulation of ace2 expression	BENNETT C F	8-Mar-05	8-Mar-05	9-Aug-07
US20070185027	ANTIVIRAL AGENTS FOR THE TREATMENT, CONTROL AND PREVENTION OF INFECTIONS BY CORONAVIRUSES	SEQUOIA PHARMACEUTICALS, INC.	28-Apr-03	9-Nov-06	9-Aug-07
US20070184434	Compositions for use in identification of influenza viruses	ESHOO MARK W	17-Oct-05	17-Oct-06	9-Aug-07
US20070178533	Method and diagnostic tests based on flow cytometric analysis of antigen-specific t lymphocytes	AGRATI CHIARA	5-Aug-03	5-Aug-04	2-Aug-07
US20070178505	Promoter engineering and genetic control	ALPER HAL S	3-Jan-06	3-Jan-07	2-Aug-07
US20070178048	Antiviral composition comprising p-menthane-3,8-diol	CLARKE PAUL D	12-Mar-04	2-Mar-05	2-Aug-07
US20070173755	Methods of treating or preventing peritonitis with oxidative reductive potential water solution	Oculus Innovative Sciences, Inc.	20-Jan-06	22-Jan-07	26-Jul-07
US20070173481	Compositions and methods for preventing infection	JOLLA BIOSCIENCES LLC	20-Sep-02	11-Dec-06	26-Jul-07
US20070172817	Methods of Producing Antibodies for Diagnostics and Therapeutics	CHANG XIAO-JIA	8-Jul-03	22-Nov-06	26-Jul-07
US20070172448	Method for detecting the specificity of activated lymphocyte	HU JUN	8-Dec-03	7-Dec-04	26-Jul-07
US20070167476	Piperazine, [1,4]Diazepane, [1,4]Diazocane, and [1,5]Diazocane fused imidazo ring compounds	CELEBI AZIM A	29-Dec-03	22-Dec-04	19-Jul-07
US20070167408	NOVEL ALKYL PHOSPHOLIPID DERIVATIVES WITH REDUCED CYTOTOXICITY AND USES THEREOF	ZENTARIS GmbH	19-Dec-05	19-Dec-06	19-Jul-07
US20070166823	Methods for detecting parvovirus infections	BLUTH MARTIN H	5-May-03	5-May-04	19-Jul-07
US20070166784	Combination approaches for generating immune responses	BARNETT SUSAN W	15-Sep-03	15-Sep-04	19-Jul-07
US20070166384	Methods , composition and preparations for delivery of immune response modifiers	ZARRAGA ISIDRO ANGELO E	9-Apr-04	8-Apr-05	19-Jul-07
US20070166281	Chloroquine coupled antibodies and other proteins with methods for their synthesis	KOSAK KENNETH M	21-Aug-04	22-Feb-07	19-Jul-07
US20070160981	VIRAL PROTEASE	CHEN XIN	24-Oct-05	23-Oct-06	12-Jul-07
US20070155767	Sulfone substituted imidazo ring ethers	DELLARIA JOSEPH F JR	4-Dec-03	3-Dec-04	5-Jul-07
US20070155699	Boron-containing small molecules	Anacor Pharmaceuticals	30-Dec-05	16-Aug-06	5-Jul-07
US20070155683	Artificial cpg single-stranded oligodeoxynucleotide and antiviral use thereof	WANG LIYING	25-Jul-03	26-Jul-04	5-Jul-07
US20070154348	Supports for assaying analytes and methods of making and using thereof	FRUTOS ANTHONY G	29-Dec-05	7-Jun-06	5-Jul-07
US20070149487	Antiviral Compositions and Methods	MAYO FOUNDATION FOR MEDICAL EDUCATION AND RESEARCH	8-Nov-05	7-Nov-06	28-Jun-07
US20070148670	Methods for detecting conformational changes in bioentities	O'MALLEY SHAWN M	28-Dec-05	25-Oct-06	28-Jun-07
US20070141597	Biomimetic Biodetector of Toxins, Viruses, Bacteria, and Biological Factors	HARMON H J	25-Oct-05	25-Oct-06	21-Jun-07
US20070141080	Treating severe acute respiratory syndrome	HEMISPHERx BIOPHARMA	16-May-03	26-Jan-07	21-Jun-07
US20070141053	Treatment of inflammatory respiratory diseases	Schering Aktiengesellschaft	9-May-03	7-May-04	21-Jun-07
US20070136890	Expression of a recombinant transgene	Board of Trustees Operating Michigan State University	3-Jul-03	2-Jul-04	14-Jun-07
US20070135439	Novel inhibitors of cysteine proteases, the pharmaceutical compositions thereof and their therapeutic applications	BOISSY GUILLAUME	8-Dec-05	8-Dec-05	14-Jun-07

US20070135 367	Method for controlling sr protein phosphorylation, and antiviral agents whose active ingredients comprise agents that control sr protein activity	FUKUHARA TAKESHI	26- Dec- 03	24- Dec- 04	14- Jun- 07
US20070134 695	Dengue virus detection measured by immunocytometry in a dendritic cell surrogate	BURGESS TIMOTHY	27- Oct- 05	26- Oct- 06	14- Jun- 07
US20070134 694	Method for the measurement of dengue virus binding inhibition	BURGESS TIMOTHY	27- Oct- 05	26- Oct- 06	14- Jun- 07
US20070134 255	Hmpv treatment with ribavirin and anti-hmpv antibody	ViroNovative B.V.	2- May- 03	3- May- 04	14- Jun- 07
US20070134 214	Inactivated host cell delivery of polynucleotides encoding immunogens	XU FENG	13- Aug- 03	12- Aug- 04	14- Jun- 07
US20070123 566	Isoflavone derivatives of tectoridin, the preparation thereof and the anti-virus medicines containing the same as an effective constituents	CHENGDU DIKANG PHARMACEUTICAL INSTITUTE	15- May- 03	14- May- 04	31- May- 07
US20070116 785	Nitric oxide as an anti-viral agent, vaccine and vaccine adjuvant	MILLER CHRISTOPHER C	18- Nov- 05	20- Nov- 06	24- May- 07
US20070116 716	Sars coronavirus s proteins and uses thereof	FIELDING BURTRAM C	10- Dec- 03	10- Dec- 04	24- May- 07
US20070116 600	Detection device and methods associated therewith	COOK RICHARD A	23- Jun- 05	23- Jun- 06	24- May- 07
US20070111 309	Vero cell line adapted to grow in suspension	DAELLI MARCELO G	4- Oct- 05	29- Sep- 06	17- May- 07
US20070111 296	Methods and Devices for Quantitative Viral Assays	SHU YING	16- Nov- 05	16- Nov- 06	17- May- 07
US20070111 231	Detection of mutations in a gene associated with resistance to viral infection, OAS2 and OAS3	Illumigen Biosciences, Inc.	23- Aug- 05	23- Aug- 06	17- May- 07
US20070105 193	Severe acute respiratory syndrome DNA vaccine compositions and methods of use	Vical Incorporated	16- May- 03	12- May- 04	10- May- 07
US20070104 808	COMPOSITIONS AND METHODS FOR TREATMENT OF RHINOVIRUS	THE QUIGLEY CORPORATION	6- Aug- 01	27- Oct- 06	10- May- 07
US20070104 686	Vaccines, immunotherapeutics and methods for using the same	CHATTERGOON MICHAEL A	13- Jun- 03	14- Jun- 04	10- May- 07
US20070099 968	Antiviral compounds and methods	Biotron Limited	24- Jun- 04	24- Jun- 04	3- May- 07
US20070099 901	Hydroxylamine and oxime substituted imidazoquinolines, imidazopyridines, and imidazonaphthyridines	3M INNOVATIVE PROPERTIES COMPANY	25- Nov- 03	24- Nov- 04	3- May- 07
US20070099 855	Glycyrrhizin or derivatives thereof for for treating or preventing severe acute respiratory syndrome (sars)	Johann Wolfgang Goethe University	6- Jun- 03	7- Jun- 04	3- May- 07
US20070099 178	Method for detecting sars coronavirus	EIKEN KAGAKU KABUSHIKI KAISHA	27- Jun- 03	15- Jun- 04	3- May- 07
US20070098 735	Methods for the Elimination of Pathogens and Other Particulate Agents	CHANDAWARKAR RAJIV Y	29- Oct- 05	30- Oct- 06	3- May- 07
US20070098 719	GITR binding molecules and uses therefor	TolerRx, Inc.	25- Mar- 05	27- Mar- 06	3- May- 07
US20070093 969	Molecular nephrotoxicology modeling	CASTLE ARTHUR	22- Nov- 02	24- Nov- 03	26- Apr- 07
US20070092 938	Diagnostics for sars virus	Temasek Life Sciences Laboratory	15- Jul-03	4- Feb- 04	26- Apr- 07
US20070092 936	Severe acute respiratory syndrome	HAYNES BARTON F	8- May- 03	10- May- 04	26- Apr- 07
US20070092 871	Microarray for pathogen identification	COMBIMATRIX CORP	20- Oct- 05	20- Oct- 06	26- Apr- 07
US20070087 974	TREATMENT OR PREVENTION OF RESPIRATORY VIRAL INFECTIONS WITH IMMUNOMODULATOR COMPOUNDS	SCICLONE PHARMACEUTICALS, INC.	14- May- 04	9- Nov- 06	19- Apr- 07
US20070087 341	Compositions for use in identification of influenza viruses	ESHOO MARK W	17- Oct- 05	17- Oct- 06	19- Apr- 07
US20070087 340	Compositions for use in identification of influenza viruses	ESHOO MARK W	17- Oct- 05	17- Oct- 06	19- Apr- 07
US20070087 339	Compositions for use in identification of influenza viruses	ESHOO MARK W	17- Oct- 05	17- Oct- 06	19- Apr- 07

US20070087 338	Compositions for use in identification of influenza viruses	ESHOO MARK W	17- Oct- 05	17- Oct- 06	19- Apr- 07
US20070087 337	Compositions for use in identification of influenza viruses	ESHOO MARK W	17- Oct- 05	17- Oct- 06	19- Apr- 07
US20070087 336	Compositions for use in identification of influenza viruses	ESHOO MARK W	17- Oct- 05	17- Oct- 06	19- Apr- 07
US20070087 332	Pulmonary stem cells, related methods and kits of parts	LING THAI-YEN	17- Oct- 05	17- Oct- 05	19- Apr- 07
US20070087 008	Rab9a, rab11a, and modulators thereof related to infectious disease	UNIV VANDERBILT	24- Feb- 04	24- Feb- 05	19- Apr- 07
US20070082 971	Use of a plastic composition and a product obtained thereby	POLYGIENE AB	23- Feb- 04	27- Jan- 05	12- Apr- 07
US20070077 201	Stem cell expansion and uses	DOWDING CHARLES	29- Sep- 04	25- Mar- 06	5- Apr- 07
US20070072 893	Substituted imidazo ring systems and methods	AMOS DAVID T	25- Nov- 03	24- Nov- 04	29- Mar- 07
US20070072 202	Use of chimeric receptors in a screening assay for identifying agonists and antagonists of cell receptors	BATES ELIZABETH E M	24- Mar- 05	24- Mar- 06	29- Mar- 07
US20070066 649	METHOD OF TREATING OR INHIBITING THE DEVELOPMENT OF BRAIN INFLAMMATION AND SEPSIS	Not Available	29- Nov- 02	1- Nov- 06	22- Mar- 07
US20070066 648	METHOD OF TREATING OR INHIBITING THE DEVELOPMENT OF BRAIN INFLAMMATION AND SEPSIS	NOZAKI MASAKO	29- Nov- 02	1- Nov- 06	22- Mar- 07
US20070066 639	Oxime substituted imidazoquinolines	AMOS DAVID T	12- Aug- 04	12- Aug- 04	22- Mar- 07
US20070066 552	Topical administration permitting prolonged exposure of target cells to therapeutic and prophylactic nucleic acids	INTROGEN THERAPEUTICS INC	21- Jan- 05	20- Jan- 06	22- Mar- 07
US20070065 939	Systems for detection and production of respiratory, herpes and enteric viruses	Diagnostic Hybrids, Inc.	20- Sep- 05	28- Apr- 06	22- Mar- 07
US20070065 407	Interferon-Alpha Polypeptides and Conjugates	MAXYGEN INC	18- Nov- 02	30- Oct- 06	22- Mar- 07
US20070060 754	Alkoxy substituted imidazoquinolines	HARALDSON CHAD A	3- Oct- 03	1- Oct- 04	15- Mar- 07
US20070060 611	METHOD OF TREATING OR INHIBITING THE DEVELOPMENT OF BRAIN INFLAMMATION AND SEPSIS	Not Available	29- Nov- 02	1- Nov- 06	15- Mar- 07
US20070060 535	Targeted delivery of antiviral compounds through hemoglobin bioconjugates	ADAMSON J G	30- Apr- 98	13- Nov- 06	15- Mar- 07
US20070060 499	Chloroquine combination drugs and methods for their synthesis	KOSAK KENNETH M	15- Sep- 05	22- Feb- 06	15- Mar- 07
US20070059 728	COMPUTER-IMPLEMENTED BIOLOGICAL SEQUENCE IDENTIFIER SYSTEM AND METHOD	The Government of the US, as represented by the Secretary of the Navy	2-Jul- 04	6- Jun- 06	15- Mar- 07
US20070059 686	Materials and methods for the detection of severe acute respiratory syndrome virus (SARS)	ERAGEN BIOSCIENCES INC	31- Jan- 04	28- Jul- 06	15- Mar- 07
US20070059 243	METHOD OF TREATING OR INHIBITING THE DEVELOPMENT OF BRAIN INFLAMMATION AND SEPSIS	Not Available	29- Nov- 02	1- Nov- 06	15- Mar- 07
US20070054 937	METHOD OF TREATING OR INHIBITING THE DEVELOPMENT OF BRAIN INFLAMMATION AND SEPSIS	Not Available	29- Nov- 02	1- Nov- 06	8- Mar- 07
US20070054 834	Quaternary ammonium halides for treatment of infectious conditions	NANOBIO CORP	11- Apr- 05	10- Apr- 06	8- Mar- 07
US20070053 933	IL28 and IL29 TRUNCATED CYSTEINE MUTANTS AND ANTIVIRAL METHODS OF USING SAME	SHEPPARD PAUL O	20- Jul- 05	20- Jul- 06	8- Mar- 07
US20070053 920	Nematode polypeptide adjuvant	Not Available	22- Jan- 03	21- Jan- 04	8- Mar- 07
US20070053 878	Sars	FOUCHIER RONALDUS A M	8- Apr- 03	8- Apr- 04	8- Mar- 07
US20070048 759	DETECTION OF TARGET MOLECULES WITH LABELED NUCLEIC ACID DETECTION MOLECULES	LI YOUGEN	10- Jun- 05	12- Jun- 06	1- Mar- 07
US20070048 747	Methods for assaying analytes	LESLIE THOMAS M	1- Sep- 05	1- Sep- 05	1- Mar- 07
US20070048 282	Albumin fusion proteins	Human Genome Sciences, Inc.	9- Feb- 04	8- Aug- 06	1- Mar- 07



US20070042 441	Method and apparatus for detecting estradiol and metabolites thereof using an acoustic device	BioScale, Inc.	2- May- 05	2- May- 06	22- Feb- 07
US20070042 388	Method of probe design and/or of nucleic acids detection	LEE CHARLIE	12- Aug- 05	12- Aug- 05	22- Feb- 07
US20070042 381	BIOINFORMATICALLY DETECTABLE GROUP OF NOVEL REGULATORY VIRAL AND VIRAL ASSOCIATED OLIGONUCLEOTIDES AND USES THEREOF	Rosetta Genomics	16- Jan- 03	26- May- 04	22- Feb- 07
US20070042 351	Multi-allelic molecular detection of sars-associated coronavirus	KOSTRIKIS LEONDIOS G	22- Aug- 03	13- Aug- 04	22- Feb- 07
US20070042 350	Methods and compositions for detecting sars virus and other infectious agents	CHENG JING	14- Jul-03	14- Jul-03	22- Feb- 07
US20070041 941	Nucleic acid sequences encoding and compositions comprising ige signal peptide and/or il-15 and methods for using the same	BOYER JEAN D	13- Jun- 03	14- Jun- 04	22- Feb- 07
US20070037 763	Oligonucleotide compound and method for treating nidovirus infections	AVI BIOPHARMA INC	24- Dec- 03	10- May- 06	15- Feb- 07
US20070037 231	Methods and apparatus for detecting bacteria using an acoustic device	BioScale, Inc.	2- May- 05	2- May- 06	15- Feb- 07
US20070037 142	Methods and apparatus for detecting viruses using an acoustic device	BioScale, Inc.	2- May- 05	2- May- 06	15- Feb- 07
US20070037 140	Methods and compositions for detecting sars virus	CAPITAL BIOCHIP COMPANY, LTD.	9- May- 03	9- May- 03	15- Feb- 07
US20070036 760	Adeno-associated virus (aav) clades, sequences, vectors containing same, and uses therefor	The Trustees of the University of Pennsylvania	30- Sep- 03	30- Sep- 04	15- Feb- 07
US20070036 744	Treatment or prevention of respiratory viral infections with alpha thymosin peptides	SciClone Pharmaceuticals, Inc.	23- Apr- 03	23- Apr- 04	15- Feb- 07
US20070034 529	Electrochemistry and electrogenerated chemiluminescence with a single faradaic electrode	BARD ALLEN J	3- Jun- 05	2- Jun- 06	15- Feb- 07
US20070032 499	Novel cysteine protease inhibitors and their therapeutic applications	BOISSY GUILLAUME	5- Aug- 05	5- Aug- 05	8- Feb- 07
US20070031 923	Modified viral particles with immunogenic properties and reduced lipid content useful for treating and preventing infectious diseases	CHAM BILL E	29- Jun- 00	10- Apr- 06	8- Feb- 07
US20070031 832	Methods of constructing biodiverse gene fragment libraries and biological modulators isolated therefrom	Phylogica Limited	5- May- 99	20- Feb- 04	8- Feb- 07
US20070031 283	Assay cartridges and methods for point of care instruments	BLANKFARD MARTIN	23- Jun- 05	23- Jun- 06	8- Feb- 07
US20070027 306	Albumin fusion proteins	HASELTINE WILLIAM A	9- Feb- 04	8- Aug- 06	1- Feb- 07
US20070026 391	Methods and compositions for identifying chemical or biological agents using multiplexed labeling and colocalization detection	GHC TECHNOLOGIES INC	11- Apr- 05	6- Apr- 06	1- Feb- 07
US20070026 087	Anti-coronavirus agent	Toagosei Co., Ltd.	16- Oct- 03	31- Oct- 03	1- Feb- 07
US20070026 014	Interferon beta in severe acute respiratory syndrome (sars)	ARES TRADING S.A.	17- Apr- 03	6- Apr- 04	1- Feb- 07
US20070026 009	Systems and methods for identifying replikin scaffolds and uses of said replikin scaffolds	BOGOCH ELENORE S	27- Mar- 01	16- Feb- 06	1- Feb- 07
US20070025 966	INTERFERON-ALPHA POLYPEPTIDES AND CONJUGATES	MAXYGEN, INC.	19- May- 04	13- Sep- 06	1- Feb- 07
US20070021 439	Methods of reducing risk of infection from pathogens with soluble amide and ester pyrazinoylguanidine sodium channel blockers	PARION SCIENCES INC	25- Jul-05	25- Jul-05	25- Jan- 07
US20070021 326	Composition and its Therapeutic Use	INSIGNION HOLDINGS LTD AND VER	9- Aug- 02	25- Sep- 06	25- Jan- 07
US20070020 734	INTERFERON-ALPHA POLYPEPTIDES AND CONJUGATES	MAXYGEN, INC.	19- May- 04	13- Sep- 06	25- Jan- 07
US20070020 235	INTERFERON-ALPHA POLYPEPTIDES AND CONJUGATES	MAXYGEN, INC.	19- May- 04	13- Sep- 06	25- Jan- 07
US20070015 181	System and methods for nucleic acid and polypeptide selection	WILLIAMS RICHARD B	19- May- 00	2- May- 06	18- Jan- 07

US20070015 172	Expression profiles for microbial infection	Z-BioMed, Inc.	1- Jun- 05	30- Nov- 05	18- Jan- 07
US20070014 778	Endoribonuclease and uses thereof	LEE CHOW	6- Jun- 05	5- Jun- 06	18- Jan- 07
US20070014 719	Steroid analogs and characterization and treatment methods	DOWDING CHARLES	29- Sep- 04	29- Sep- 05	18- Jan- 07
US20070009 932	Promoter engineering and genetic control	ALPER HAL S	27- Apr- 05	26- Apr- 06	11- Jan- 07
US20070009 884	Methods and apparatuses for detecting chemical or biological agents	GHC TECHNOLOGIES INC	11- Apr- 05	6- Apr- 06	11- Jan- 07
US20070004 028	Signal measuring system for conducting real-time amplification assays	GEN-PROBE INCORPORATED	10- Mar- 05	10- Mar- 06	4- Jan- 07
US20070003 577	Purified trimeric S protein as vaccine against severe acute respiratory syndrome virus infections	CHU KID	28- Jun- 05	27- Jun- 06	4- Jan- 07
US20070003 565	Use of hab18g/cd147 molecule as target for antiviral antagonists and thus obtained antiviral antagonist	CHEN ZHINAN	9- Jun- 03	9- Jun- 03	4- Jan- 07
US20060293 352	Phenoxyacetic acid derivatives	BONNERT ROGER V	21- Aug- 03	18- Aug- 04	28- Dec- 06
US20060293 308	Pyridyl derivatives and their use as therapeutic agents	Xenon Pharmaceuticals Inc.	29- Jul- 03	29- Jul- 04	28- Dec- 06
US20060293 267	Dual functional oligonucleotides for use as anti-viral agents	UNIVERSITY OF MASSACHUSETTS	13- Apr- 05	13- Apr- 06	28- Dec- 06
US20060292 178	Proteins encoded by the severe acute respiratory syndrome (SARS) coronavirus and a role in apoptosis	Agency for Science, Technology and Research	4- Aug- 04	4- Aug- 05	28- Dec- 06
US20060292 162	Plasma or serum fraction for the treatment or prevention of bacterial infections	BUCKHEIT ROBERT W JR	22- Apr- 05	24- Apr- 06	28- Dec- 06
US20060292 151	L-SIGN polymorphisms and methods involving use of same	GARDNER JASON P	26- Mar- 04	28- Mar- 05	28- Dec- 06
US20060287 263	Methods and compositions for inducing antigen-specific immune responses	COLEY PHARMACEUTICAL GROUP LTD	18- Jul- 04	18- Jul- 05	21- Dec- 06
US20060286 667	Methods for detection and production of influenza viruses	Diagnostic Hybrids, Inc.	24- Apr- 98	28- Apr- 06	21- Dec- 06
US20060286 124	Vaccine compositions and methods of treating coronavirus infection	ID Biomedical Corporation of Quebec	30- Jun- 04	30- Jun- 05	21- Dec- 06
US20060286 121	Adenoviral vector-based vaccines	BROUGH DOUGLAS E	25- Jul- 03	23- Jan- 06	21- Dec- 06
US20060286 119	Compositions and methods for treatment of chronic and infectious diseases	Biokit S.A.	23- Dec- 03	6- Apr- 06	21- Dec- 06
US20060281 128	Compositions and methods using lentivirus-based vectors for generating immune responses	VIRXSYS CORPORATION	9- Sep- 03	17- Aug- 06	14- Dec- 06
US20060281 072	Agonistic Binding Molecules to the Human OX40 Receptor	BAKKER ALEXANDER BERTHOLD H	13- Jun- 02	13- Jun- 03	14- Dec- 06
US20060280 754	Method of preventing virus: cell fusion by inhibiting the function of the fusion initiation region in rna viruses having class i membrane fusogenic envelope proteins	GARRY ROBERT F	4- Nov- 03	3- Nov- 04	14- Dec- 06
US20060280 748	Plasma or serum fraction for treatment or prevention of abnormal cell proliferation	BUCKHEIT ROBERT W JR	22- Apr- 05	24- Apr- 06	14- Dec- 06
US20060280 723	Interferon for treating or preventing a coronaviral infection	Viragen, Inc	19- May- 03	19- May- 04	14- Dec- 06
US20060280 679	Method of treating autoimmune disease by inducing antigen presentation by tolerance inducing antigen presenting cells	BOWDISH KATHERINE S	4- Mar- 03	17- Dec- 04	14- Dec- 06
US20060276 972	Method for determining the amount of an analyte in a sample	Gen-Probe Incorporated	10- Mar- 05	10- Mar- 06	7- Dec- 06
US20060275 841	Assay method and apparatus with reduced sample matrix effects	BLANKFARD MARTIN	20- Dec- 04	19- Dec- 05	7- Dec- 06
US20060275 802	Mutations in OAS1 genes	FELLIN P C	4- May- 05	3- May- 06	7- Dec- 06
US20060275 749	Compositions for use in identification of orthopoxviruses	ISIS Pharmaceuticals, Inc.	5- Dec- 03	24- Aug- 05	7- Dec- 06
US20060275 515	Antiviral preparations obtained from a natural cinnamon extract	OVADIA MICHAEL	24- Dec- 03	22- Jun- 06	7- Dec- 06

US20060275 317	Vaccine compositions for prevention of chronic and infectious diseases	Biokit S.A.	23- Dec- 03	6- Apr- 06	7- Dec- 06
US20060270 835	Diagnosis and treatment of Alzheimer disease	Biokit S.A.	23- Dec- 03	6- Apr- 06	30- Nov- 06
US20060270 614	Use of chalcones for the treatment of viral disorders	BODDUPALLI SEKHAR	24- May- 05	24- May- 05	30- Nov- 06
US20060270 041	Cell lines for production of replication-defective adenovirus	HOWE JOHN A	13- Dec- 04	12- Dec- 05	30- Nov- 06
US20060270 017	Inactivation of a pathogen in a sample by a treatment with formalin and UV light	BARRETT NOEL	26- May- 05	26- May- 05	30- Nov- 06
US20060269 976	METHOD FOR REDUCING LYSOZYME ENZYMATIC ACTIVITY	Biokit S.A.	23- Dec- 03	5- Apr- 06	30- Nov- 06
US20060269 936	Screening assay for TLR7, TLR8 and TLR9 agonists and antagonists	DOLLET SANDRA	24- Mar- 05	23- Mar- 06	30- Nov- 06
US20060269 911	Antisense antiviral compound and method for treating ssRNA viral infection	AVI BIOPHARMA INC	16- Sep- 04	10- May- 06	30- Nov- 06
US20060269 572	Accelerated vaccination	GEISBERT THOMAS W	1- Aug- 03	17- Jan- 06	30- Nov- 06
US20060269 538	Serine proteases with altered sensitivity to activity-modulating substances	COCO WAYNE M	27- May- 05	26- May- 06	30- Nov- 06
US20060264 448	Purine derivatives	PFIZER LTD	4- May- 05	3- May- 06	23- Nov- 06
US20060264 444	Substituted indole derivatives for pharmaceutical compositions for treating respiratory diseases	BONNERT ROGER V	18- Aug- 03	16- Aug- 04	23- Nov- 06
US20060264 435	Novel compounds	BONNERT ROGER	7- Apr- 03	6- Apr- 04	23- Nov- 06
US20060263 847	Compositions and methods for treatment of sever acute respiratory syndrome (sars)	SIBER GEORGE R	20- May- 03	20- May- 04	23- Nov- 06
US20060263 765	Peptides and mixtures thereof for use in the detection of severe acute respiratory syndrome-associated coronavirus (sars)	HOUDE MICHEL	9- May- 03	5- May- 04	23- Nov- 06
US20060259 249	Rapid identification of microbial agents	ECKER DAVID J	3- Mar- 04	3- Mar- 05	16- Nov- 06
US20060258 611	Inhibition of SARS-associated coronavirus (SCoV) infection and replication by RNA interference	UNIV HONG KONG	19- May- 03	14- Jun- 06	16- Nov- 06
US20060258 577	ANTIVIRAL AGENTS FOR THE TREATMENT, CONTROL AND PREVENTION OF INFECTIONS BY CORONAVIRUSES	ERICKSON JOHN W	28- Apr- 03	28- Apr- 04	16- Nov- 06
US20060257 993	Integration of fluids and reagents into self-contained cartridges containing sensor elements	ANSLYN ERIC	27- Feb- 04	22- Dec- 04	16- Nov- 06
US20060257 992	Integration of fluids and reagents into self-contained cartridges containing sensor elements and reagent delivery systems	ANSLYN ERIC	27- Feb- 04	22- Dec- 04	16- Nov- 06
US20060257 991	Integration of fluids and reagents into self-contained cartridges containing particle-based sensor elements and membrane-based sensor elements	ANSLYN ERIC	27- Feb- 04	22- Dec- 04	16- Nov- 06
US20060257 976	Methods and kits for propagating and evolving nucleic acids and proteins	RNA LINE OY	6- Jun- 03	7- Jun- 04	16- Nov- 06
US20060257 945	Methods and apparatus for detecting cardiac injury markers using an acoustic device	BioScale, Inc.	2- May- 05	2- May- 06	16- Nov- 06
US20060257 941	Integration of fluids and reagents into self-contained cartridges containing particle and membrane sensor elements	ANSLYN ERIC	27- Feb- 04	22- Dec- 04	16- Nov- 06
US20060257 925	Method for isolating intracellular antibodies able to neutralize protein interactions	LINE GENOMICS S.P.A.	21- Nov- 02	21- Nov- 03	16- Nov- 06
US20060257 866	Methods for identifying small molecules that modulate premature translation termination and nonsense mediated mrna decay	ALMSTEAD NEIL G	24- Jul- 02	24- Jul- 03	16- Nov- 06
US20060257 861	Screening assay for inhibitors of severe acute respiratory syndrome (SARS) using SELDI-TOF Mass Spectrometry	Wright State University	12- May- 05	12- May- 06	16- Nov- 06
US20060257 854	Membrane assay system including preloaded particles	BALLARD KARRI L	27- Feb- 04	22- Dec- 04	16- Nov- 06
US20060257 852	Severe acute respiratory syndrome coronavirus	Chiron Corporation	10- Apr- 03	9- Apr- 04	16- Nov- 06

US20060253060	Method of using oxidative reductive potential water solution in dental applications	Oculus Innovative Sciences, Inc.	2-May-05	2-May-06	9-Nov-06
US20060252767	Piperazine derivatives and their use as therapeutic agents	XENON PHARMACEUTICALS INC.	30-Jul-03	29-Jul-04	9-Nov-06
US20060246081	Methods and compositions for polytopic vaccination	DEEM MICHAEL W	29-Apr-05	29-Apr-05	2-Nov-06
US20060241546	Method of treating second and third degree burns using oxidative reductive potential water solution	Oculus Innovative Sciences, Inc.	23-Mar-05	23-Mar-06	26-Oct-06
US20060240551	Neutralizing monoclonal antibodies against severe acute respiratory syndrome-associated coronavirus	HE YUXIAN	2-Jun-04	8-Feb-06	26-Oct-06
US20060240530	Methods and compositions for infectious cDNA of SARS coronavirus	UNIV NORTH CAROLINA	21-Jul-03	19-Jan-06	26-Oct-06
US20060240515	Soluble fragments of the SARS-CoV spike glycoprotein	DIMITROV DIMITER S	21-Jul-03	19-Jan-06	26-Oct-06
US20060240412	Compositions for use in identification of adenoviruses	BLYN LAWRENCE	11-Sep-03	12-Apr-06	26-Oct-06
US20060235350	Method of treating skin ulcers using oxidative reductive potential water solution	Oculus Innovative Sciences, Inc.	23-Mar-05	23-Mar-06	19-Oct-06
US20060234981	Boron-containing small molecules	Anacor Pharmaceuticals	16-Feb-05	16-Feb-06	19-Oct-06
US20060234263	Method for reducing the presence of amplification inhibitors in a reaction receptacle	Gen-Probe Incorporated	10-Mar-05	10-Mar-06	19-Oct-06
US20060229356	Use of indomethacin and derivatives as broad-spectrum antiviral drugs and corresponding pharmaceutical compositions	Universita' Degli Studi Di Roma "Tor Vergata"	12-Aug-03	11-Aug-04	12-Oct-06
US20060228299	Constructs binding to phosphatidylserine and their use in disease treatment	PEREGRINE PHARMACEUTICALS INC	24-Jan-05	24-Jan-06	12-Oct-06
US20060223863	Methods for treating Hepatitis C	AREFOLOV ALEXANDER	14-Jul-04	14-Jul-05	5-Oct-06
US20060223847	Anti-coronavirus drug	Arigen, Inc.	15-Jul-03	14-Jul-04	5-Oct-06
US20060223184	Supports useful in incorporating biomolecules into cells and methods of using thereof	FRUTOS ANTHONY G	5-Apr-05	5-Apr-05	5-Oct-06
US20060223074	Spotting compositions and methods of use thereof	BUNCH THOMAS A	5-Apr-05	5-Apr-05	5-Oct-06
US20060216702	Virus-like particles, methods of preparation, and immunogenic compositions	COMPANS RICHARD W	17-May-02	4-Apr-06	28-Sep-06
US20060211765	Novel compounds	ASTRAZENECA AB	7-Apr-03	6-Apr-04	21-Sep-06
US20060211752	Use of phenylmethimazoles, methimazole derivatives, and tautomeric cyclic thiones for the treatment of autoimmune/inflammatory diseases associated with toll-like receptor overexpression	BENAVIDES-PERALTA URUGUAYSITO	16-Mar-04	17-May-05	21-Sep-06
US20060211130	Method for continuous mode processing of multiple reaction receptacles in a real-time amplification assay	Gen-Probe Incorporated	10-Mar-05	10-Mar-06	21-Sep-06
US20060211115	Methods of generating chimeric adenoviruses and uses for such chimeric adenoviruses	The Trustees of the University of Pennsylvania	20-Jun-03	15-Jun-04	21-Sep-06
US20060210967	Re-sequencing pathogen microarray	AGAN BRIAN K	2-Jul-04	2-Jul-05	21-Sep-06
US20060210433	Signal measuring system having a movable signal measuring device	GEN-PROBE INCORPORATED	10-Mar-05	10-Mar-06	21-Sep-06
US20060205713	Pyridazine derivatives and their use as therapeutic agents	Xenon Pharmaceuticals Inc.	29-Jul-04	29-Jul-04	14-Sep-06
US20060205040	Compositions for use in identification of adventitious viruses	SAMPATH RANGARAJAN	3-Mar-05	3-Mar-06	14-Sep-06
US20060204997	Method for performing multi-formatted assays	Gen-Probe Incorporated	10-Mar-05	10-Mar-06	14-Sep-06
US20060199802	Pyridyl derivatives and their use as therapeutic agents	ABREO MELWYN	30-Jul-03	29-Jul-04	7-Sep-06

US20060199 176	Coronavirus S peptides	CHONG PELE C S	15- Jul- 04	14- Jul- 05	7- Sep- 06
US20060195 067	Delivery of immune response modifier compounds	KEDL ROSS M	25- Aug- 03	25- Aug- 04	31- Aug- 06
US20060193 745	Virucidal disinfectant	ARNDT ANDREAS	28- Jan- 05	27- Jan- 06	31- Aug- 06
US20060190 189	Reagents, devices and methods for proteomic analysis with applications including diagnostics, vaccines, quality control and research	HOFFMANN GEOFFREY W	21- Apr- 04	16- Mar- 06	24- Aug- 06
US20060189 644	Lipid-modified immune response modifiers	WIGHTMAN PAUL D	14- Aug- 03	12- Aug- 04	24- Aug- 06
US20060189 571	Use of lipid conjugates in the treatment of infection	YEDGAR SAUL	10- Jan- 00	8- Sep- 05	24- Aug- 06
US20060189 570	Use of lipid conjugates in the treatment of infection	YEDGAR SAUL	10- Jan- 00	8- Sep- 05	24- Aug- 06
US20060189 569	Use of lipid conjugates in the treatment of infection	OJCIUS DAVID	10- Jan- 00	8- Sep- 05	24- Aug- 06
US20060189 568	Use of lipid conjugates in the treatment of infection	YEDGAR SAUL	10- Jan- 00	8- Sep- 05	24- Aug- 06
US20060189 542	Preventive or therapeutic composition for viral infectious disease	FURUKAWA SATORU	22- Jul-03	22- Jul-04	24- Aug- 06
US20060188 519	Peptides, antibodies, and methods for the diagnosis of SARS	AU MUN Y D	14- Jun- 04	13- Jun- 05	24- Aug- 06
US20060178 341	Composition comprising soluble glucan oligomer from saccharomyces cerevisiae is2 inhibiting the swine influenza (SIV) and transmissible gastroenteritis coronavirus (tgev)	CHUNG BONG H	23- Jun- 03	23- Jun- 04	10- Aug- 06
US20060177 849	Nucleic acid primer set, nucleic acid probe set and method for detecting respiratory disease virus using the primer set and probe set	HUH NAM	23- Dec- 04	23- Dec- 05	10- Aug- 06
US20060177 837	Systems and methods for identifying diagnostic indicators	BOROZAN IVAN	13- Aug- 04	15- Aug- 05	10- Aug- 06
US20060177 813	Novel high-throughput screening method of drug for bioactive protein	ENDO YAETA	8- Sep- 03	8- Sep- 04	10- Aug- 06
US20060171 962	SARS vaccine	Consejo Superior de Investigaciones Cientificas	3- Sep- 04	2- Sep- 05	3- Aug- 06
US20060171 958	Antiviral activity from medicinal mushrooms	STAMETS PAUL	6- Jan- 04	22- Mar- 06	3- Aug- 06
US20060165 723	Nucleic acid sequences encoding proteins capable of associating into a virus-like particle	Fort Dodge Veterinaria S.A.	3- Sep- 04	2- Sep- 05	27- Jul- 06
US20060165 716	Immunogenic compositions for gram positive bacteria such as streptococcus agalactiae	BAROCCHI MICHELLE	29- Jul-04	29- Jul-05	27- Jul- 06
US20060163 149	Product for absorption purposes	HJERTEN MARIE-CHRISTINE	13- Jun- 03	11- Jun- 04	27- Jul- 06
US20060160 109	Harnessing network biology to improve drug discovery	Odyssey Thera, Inc.	22- Nov- 04	21- Nov- 05	20- Jul- 06
US20060154 243	Antigenic peptides of SARS coronavirus and uses thereof	GOUDSMIT JAAP	21- Jul-03	20- Jan- 06	13- Jul- 06
US20060153 803	Inhibition of sars coronavirus infection with clinically approved antiviral drugs	STANTON LAWRENCE W	9- Jun- 03	9- Jun- 04	13- Jul- 06
US20060147 958	System for detecting polynucleotides	CHOI K Y	20- May- 03	21- Nov- 05	6- Jul- 06
US20060143 719	Use of golden hamster as infectivity model of SARS	CONTAMIN HUGUES	18- Aug- 04	16- Aug- 05	29- Jun- 06
US20060142 383	3D-Structure model of SARS coronavirus 3CL protease and anti-SARS drugs	SHANGHAI LEAD DISCOVERY PHARMA	4- Jun- 03	2- Dec- 05	29- Jun- 06
US20060142 202	Compositions and methods for targeted delivery of immune response modifiers	3M INNOVATIVE PROPERTIES CO	8- Dec- 00	23- Feb- 06	29- Jun- 06
US20060140 971	Cell surface expression vector of sars virus antigen and microorganisms transformed thereby	CHOI JAE C	4- Jun- 03	4- Jun- 04	29- Jun- 06
US20060135 458	Antiviral oligonucleotides	JUTEAU JEAN-MARC	13- Sep- 02	19- Oct- 05	22- Jun- 06

US20060135 422	Use of angiotensin receptor blockers (ARBs) to treat diseases associated with excess ACE	MOSKOWITZ DAVID W	17- Apr- 03	31- Mar- -04	22- Jun- 06
US20060134 753	Super-antigen fusion proteins and the use thereof	Healthbanks Biotech Co., Ltd.	21- Jul-04	19- Jul- 05	22- Jun- 06
US20060134 609	Compositions and methods for determining the presence of SARS coronavirus in a sample	GETMAN DAMON K	17- Apr- 03	16- Apr- -04	22- Jun- 06
US20060134 397	Microporous materials, methods, and articles for localizing and quantifying analytes	SMITH ROGER E	26- Nov- 02	20- Nov- -03	22- Jun- 06
US20060128 628	Human tissue antigen-binding peptides and their amino acid sequences	CHEN SHOW-LI	15- Dec- 04	15- Dec- -04	15- Jun- 06
US20060123 499	Civet animal model system for Severe Acute Respiratory Syndrome (SARS) coronavirus infection and uses thereof	CHEN JINDING	6- Dec- 04	6- Dec- -04	8- Jun- 06
US20060122 368	Antigen delivery platform	GOVERNMENT OF THE U S A AS REP	3- Dec- 04	2- Dec- -05	8- Jun- 06
US20060121 580	Binding molecules against SARS-coronavirus and uses thereof	CRUCCELL	22- Jul-03	20- Jan- -06	8- Jun- 06
US20060121 043	Use of modulators of EphA2 and EphrinA1 for the treatment and prevention of infections	MEDIMMUNE, INC.	27- Oct- 04	27- Oct- -05	8- Jun- 06
US20060115 875	Detection, characterization and treatment of viral infection and methods thereof	BROWN EARL	30- Sep- 03	11- Oct- -05	1- Jun- 06
US20060113 298	Electromagnetic wave applicator	ZAIDAN HOJIN HANDOTAI KENKYU SHINKOKAI	27- Nov- 02	27- Nov- -03	1- Jun- 06
US20060111 387	ARYL SUBSTITUTED IMIDAZOQUINOLINES	3M INNOVATIVE PROPERTIES CO	20- Dec- 02	13- Jan- -06	25- May- -06
US20060110 803	Antigenic peptides of SARS coronavirus and uses thereof	Crucell Holland B.V.	13- Jun- 03	6- Dec- -05	25- May- -06
US20060110 758	Synthetic peptide targeting critical sites on the SARS-associated coronavirus spike protein responsible for viral infection and method of use thereof	UNIV HONG KONG	22- Nov- 04	28- Oct- -05	25- May- -06
US20060110 405	Plasma or serum fraction for treatment and prevention of viral infections and related conditions	BUCKHEIT ROBERT W JR	20- Aug- 04	22- Aug- -05	25- May- -06
US20060100 232	Inhibitors of HIV-1 capsid formation: substituted aryl aminomethyl thiazole ureas and analogues thereof	AGARWAL ATUL	11- Nov- 04	10- Nov- -05	11- May- -06
US20060100 229	Pyrazolopyridines and analogs thereof	BONK JASON D	3- Oct- 03	1- Apr- -05	11- May- -06
US20060099 606	Assay to detect viral uncoating	NARAYAN SHAKTI	9- Dec- 03	8- Dec- -04	11- May- -06
US20060099 573	Diagnostic assays	MIGUEZ MARIA-JOSE	24- Mar- 04	24- Mar- -05	11- May- -06
US20060094 105	Mixed cell diagnostic systems for detection of respiratory, herpes and enteric viruses	Diagnostic Hybrids, Inc.	24- Apr- 98	20- Sep- -05	4- May- -06
US20060094 104	Animal protein-free media for cultivation of cells	DORNER FRIEDRICH	29- Oct- 04	29- Oct- -04	4- May- -06
US20060093 616	Process for vaccinating eucaryotic hosts and for protecting against SARS-CoV infection	ALTMAYER RALF	29- Sep- 04	28- Sep- -05	4- May- -06
US20060089 324	RNAi modulation of RSV, PIV and other respiratory viruses and uses thereof	BARIK SAILEN	22- Oct- 04	14- Jun- -05	27- Apr- 06
US20060089 323	RNAi modulation of RSV, PIV and other respiratory viruses and uses thereof	BARIK SAILEN	22- Oct- 04	14- Jun- -05	27- Apr- 06
US20060088 926	Method of removing hazardous substance, and hazardous substance removing material using the same such as air cleaning filter, mask and wiping sheet, and method of storing the same	DAIKIN IND LTD	28- Mar- 03	26- Mar- -04	27- Apr- 06
US20060088 909	Virus-like particles, methods of preparation, and immunogenic compositions	COMPANS RICHARD W	17- May- 02	19- May- -03	27- Apr- 06
US20060079 485	Use of lipid conjugates in the treatment of infection	OJCIUS DAVID	10- Jan- 00	8- Sep- -05	13- Apr- 06
US20060075 894	Bioagent air filtration systems	University of Wyoming Research Corporation d/b/a Western Research Institute	28- Jan- 03	28- Jan- -04	13- Apr- 06
US20060070 952	Charge-based water filtration systems	University of Wyoming Research Corporation d/b/a	28- Jan- 03	28- Jan- -04	6- Apr- 06

US20060067 940	Antibodies against West Nile Virus and therapeutic and prophylactic uses thereof	DIAMOND MICHAEL	21- Jun- 04	21- Jun- 05	30- Mar- 06
US20060063 150	Antisense antiviral compound and method for treating ssRNA viral infection	IVERSEN PATRICK L	16- Sep- 04	14- Sep- 05	23- Mar- 06
US20060063 149	Compositions and methods for detecting pathogen infection	BERTHET FRANCOIS X	23- Dec- 03	6- Sep- 05	23- Mar- 06
US20060062 804	SARS-CoV-specific B-cell epitope and applications thereof	National Taiwan University	21- Sep- 04	21- Sep- 04	23- Mar- 06
US20060057 605	Compositions for use in identification of viral hemorrhagic fever viruses	ISIS Pharmaceuticals, Inc.	22- Mar- 04	21- Mar- 05	16- Mar- 06
US20060057 161	Detection of coronavirus infection	CHOU CHIH-MING	16- Sep- 04	16- Sep- 04	16- Mar- 06
US20060053 516	Genetically modified plants comprising SARS-CoV viral nucleotide sequences and methods of use thereof for immunization against SARS	The University of Hong Kong	5- Dec- 03	3- Dec- 04	9- Mar- 06
US20060051 744	Feline infectious peritonitis (FIP) and systemic multi-organ coronavirus biomarkers and screening methods	AUSTIN KIMBERLY M	30- Jun- 04	28- Jun- 05	9- Mar- 06
US20060051 374	Compositions and methods for mucosal vaccination	3M Innovative Properties Company	28- Apr- 04	28- Apr- 05	9- Mar- 06
US20060035 926	Benzothiazolium compounds	LEE SHIOW-JU	13- Aug- 04	15- Aug- 05	16- Feb- 06
US20060035 859	Treating severe and acute viral infections	HEMISPHERx BIOPHARMA	16- May- 03	6- Oct- 05	16- Feb- 06
US20060035 853	Methods for tailoring the immune response to an antigen or immunogen	Biomedical Research Models, Inc.	7- Jan- 04	7- Jan- 05	16- Feb- 06
US20060035 327	Recombinant super-compound interferon and uses thereof	WEI GUANGWEN	26- Aug- 04	10- Mar- 05	16- Feb- 06
US20060034 853	Novel human virus causing respiratory tract infection and uses thereof	CHAN KWOK H	21- Jul-04	16- May- 05	16- Feb- 06
US20060024 668	Coronavirus, nucleic acid, protein, and methods for the generation of vaccine, medicaments and diagnostics	HOEK CORNELIA V D	7- Jan- 04	18- Aug- 04	2- Feb- 06
US20060024 271	Treatments for viral infections using IFN cytokines and ribavirin, alone or in combination	ALIBEK KEN	15- Jan- 04	13- Jan- 05	2- Feb- 06
US20060019 976	Methods for treating Hepatitis C	CHEN GUANGMING	22- Jul-04	14- Jul- 05	26- Jan- 06
US20060019 967	SARS CoV main protease inhibitors	HSIEH HSING-PANG	21- Jul-04	20- Jul- 05	26- Jan- 06
US20060019 927	Anti-viral uses of borinic acid complexes	BELLINGER-KAWAHARA CAROLYN	14- Jun- 04	14- Jun- 05	26- Jan- 06
US20060019 923	Methods and compositions for inducing innate immune responses	Coley Pharmaceutical Group, Ltd.	18- Jul-04	18- Jul- 05	26- Jan- 06
US20060018 923	Novel human virus causing respiratory tract infection and uses thereof	CHAN KWOK H	21- Jul-04	21- Jul- 04	26- Jan- 06
US20060018 877	Intradermal delivery of vaccines and therapeutic agents	ALARCON JASON B	29- Jun- 01	29- Apr- 05	26- Jan- 06
US20060014 254	Albumin fusion proteins	Human Genome Sciences, Inc.	22- Jan- 03	7- Jul- 05	19- Jan- 06
US20060009 459	Pyridazine derivatives and their use as therapeutic agents	ABREO MELWYN	16- Mar- 04	9- Feb- 05	12- Jan- 06
US20060008 810	Methods and compositions for detecting rhinoviruses	Focus Technologies, Inc.	6-Jul-04	6- Jul- 04	12- Jan- 06
US20060008 379	Room decontamination with hydrogen peroxide vapor	STERIS INC.	8-Jul-04	8- Jul- 04	12- Jan- 06
US20060006 678	Door handle cover	HERRON ROY H JR	27- May- 04	26- May- 05	12- Jan- 06
US20060003 941	Peptides and peptidomimetics having immune-modulating, anti-inflammatory, and anti-viral activity	KAWABE TAKUMI	25- Jun- 03	25- Jun- 04	5- Jan- 06
US20060003 352	Mass tag PCR for multiplex diagnostics	BRIESE THOMAS	29- Apr- 04	28- Apr- 05	5- Jan- 06
US20060003 351	Methods and kits for identifying target nucleotides in mixed populations	Applera Corporation	30- Apr- 04	29- Apr- 05	5- Jan- 06



US20060003340	Multi-allelic molecular detection of SARS-associated coronavirus	Birch Biomedical Research, LLC	22-Aug-03	13-Aug-04	5-Jan-06
US20060002947	Ii-key/antigenic epitope hybrid peptide vaccines	HUMPHREYS ROBERT	14-Sep-99	11-Jan-05	5-Jan-06
US20060002932	Methods and compositions for enhancement of immunity by in vivo depletion of immunosuppressive cell activity	Duke University	4-Jun-04	3-Jun-05	5-Jan-06
US20050288866	Computational method for identifying adhesin and adhesin-like proteins of therapeutic potential	COUNCIL OF SCIENTIFIC AND INDUSTRIAL RESEARCH	20-Jul-04	7-Feb-05	29-Dec-05
US20050287167	Polycistronic HIV vector constructs		5-May-04	5-May-05	29-Dec-05
US20050287118	Bacterial plasmid with immunological adjuvant function and uses thereof		26-Nov-03	23-Nov-04	29-Dec-05
US20050282279	Expression vector encoding coronavirus-like particle	HWU PAUL L	29-May-03	28-May-04	22-Dec-05
US20050282209	Variable length probe selection	ALBERT THOMAS	18-Jun-04	20-Jun-05	22-Dec-05
US20050282154	Angiotensin-converting enzyme-2 as a receptor for the SARS coronavirus		6-Oct-03	5-Oct-04	22-Dec-05
US20050281828	Method of treating autoimmune disease by inducing antigen presentation by tolerance inducing antigen presenting cells	BOWDISH KATHERINE S	28-Feb-04	1-Apr-05	22-Dec-05
US20050277592	Beta-peptides	Yale University	21-Apr-04	21-Apr-05	15-Dec-05
US20050277181	Compositions and methods for detecting pathogen infection	BERTHET FRANCOIS X	23-Dec-04	27-Apr-05	15-Dec-05
US20050276818	Uncharacterized ORF3 in SARS-coronavirus is a cyclic-AMP-dependent kinase and a target for SARS therapy	GODZIK ADAM	17-May-04	17-May-05	15-Dec-05
US20050276815	Antiviral activity from medicinal mushrooms	STAMETS PAUL	6-Jan-04	6-Jan-05	15-Dec-05
US20050271711	Therapeutic antimicrobial compositions and methods	The Procter & Gamble Company	26-Apr-04	25-Apr-05	8-Dec-05
US20050266550	TC-83-derived alphavirus vectors, particles and methods	Alphavax, Inc.	18-May-04	18-May-05	1-Dec-05
US20050266465	Interferon-alpha polypeptides and conjugates		19-May-04	18-May-05	1-Dec-05
US20050266425	Methods for producing and identifying multispecific antibodies	Vaccinex, Inc.	31-Dec-03	29-Dec-04	1-Dec-05
US20050266397	Methods for identification of coronaviruses	BLYN LAWRENCE B	26-Apr-03	22-Apr-04	1-Dec-05
US20050260645	Comparative genomic resequencing	ALBERT THOMAS	8-Apr-04	8-Apr-05	24-Nov-05
US20050255123	Chimeric ebola virus envelopes and uses therefor	The Trustees of the University of Pennsylvania	30-Apr-02	28-Apr-03	17-Nov-05
US20050250677	Glycopeptide antibiotic derivatives	BALZARINI JAN	1-Sep-03	1-Sep-03	10-Nov-05
US20050249742	Compositions and methods for modulating a cytotoxic T lymphocyte immune response	Dana-Farber Cancer Institute, Inc.	27-Jun-02	22-Dec-04	10-Nov-05
US20050249739	Antibodies against SARS-CoV and methods of use thereof	MARASCO WAYNE	25-Nov-03	24-Nov-04	10-Nov-05
US20050244423	Methods for treating viral infection using IL-28 and IL-29 cysteine mutants	HENDERSON KATHERINE E	2-Apr-04	4-Apr-05	3-Nov-05
US20050240353	Reagents, devices and methods for proteomic analysis with applications including diagnostics, vaccines, quality control and research		21-Apr-04	4-Feb-05	27-Oct-05
US20050239735	Enhancement of immune responses		30-Dec-03	30-Dec-04	27-Oct-05
US20050239086	Multiplex systems, methods, and kits for detecting and identifying nucleic acids	BRIESE THOMAS	27-Apr-04	27-Apr-04	27-Oct-05
US20050239047	Methods and devices for determining a cell characteristic, and applications employing the same	GIMZEWSKI JAMES K	10-Sep-02	9-Mar-05	27-Oct-05
US20050238655	Antiviral activity from medicinal mushrooms	STAMETS PAUL	6-Jan-04	4-Jan-05	27-Oct-05

US20050234 122	Prevention of and countermeasures against viral infection	CHOKO CO., LTD.	11- Mar- 04	11- Mar- 04	20- Oct- 05
US20050233 314	Sensitive and quantitative detection of pathogens by real-time nested PCR		30- Jun- 03	30- Jun- 04	20- Oct- 05
US20050232 895	Anti-viral pharmaceutical compositions	SD Pharmaceuticals, Inc.	10- Dec- 03	3- Dec- 04	20- Oct- 05
US20050223 427	Modified polynucleotides for reducing off-target effects in RNA interference	Dharmacon, Inc.	1- Apr- 04	22- Dec- 04	6- Oct- 05
US20050222 258	Pharmaceuticals comprising shikonins as active constituent	WANG FEIXIN	21- Feb- 03	14- May- 05	6- Oct- 05
US20050220 816	Mutant viral nucleic acids and vaccine containing same		31- Mar- 04	31- Mar- 04	6- Oct- 05
US20050215 494	Baicalin and its derivatives as a treatment for SARS coronavirus infection or other related infections	CHAN KWOK H	10- Nov- 03	8- Nov- 04	29- Sep- 05
US20050214 890	Novel "Cleave-N-Read" system for protease activity assay and methods of use thereof	BAUDRY MICHEL	26- Nov- 03	23- Nov- 04	29- Sep- 05
US20050214 748	Peptide-based diagnostic reagents for SARS	CHANG TSENG Y	12- Nov- 03	8- Nov- 04	29- Sep- 05
US20050214 747	Compositions and methods for analysis of target analytes	DANIELZADEH ROBERT	16- Jan- 04	17- Oct- 04	29- Sep- 05
US20050208 066	Recombinant baculovirus and virus-like particle	CHAO YU-CHAN	25- Nov- 03	24- Nov- 04	22- Sep- 05
US20050208 060	Vaccine composition	Aventis Pasteur S.A.	22- Sep- 04	15- Nov- 04	22- Sep- 05
US20050208 020	Enhancement of vaccine-induced immune responses and protection by heterologous boosting with alphavirus replicon vaccines	BRICE GARY T	12- Nov- 03	10- Nov- 04	22- Sep- 05
US20050208 019	Uses of interferons with altered spatial structure	WEI GUANGWEN	28- Aug- 03	26- Aug- 04	22- Sep- 05
US20050203 038	Modulation of ACE2 expression		10- Mar- 04	10- Mar- 04	15- Sep- 05
US20050203 024	Peptides and methods for inducing cellular resistance to infection		1- Dec- 03	1- Dec- 04	15- Sep- 05
US20050202 415	Replikin peptides and uses thereof	BOGOCH ELENORE S.	23- Dec- 03	4- Jun- 04	15- Sep- 05
US20050196 382	Antiviral oligonucleotides targeting viral families		5- Dec- 02	19- Oct- 04	8- Sep- 05
US20050196 381	Lentivirus vector-based approaches for generating an immune response to HIV in humans	DROPULIC BORO	9- Sep- 03	9- Sep- 04	8- Sep- 05
US20050191 620	Particle on membrane assay system	BALLARD KARRI L.	27- Feb- 04	22- Dec- 04	1- Sep- 05
US20050189 302	Viral inactivation using ozone	KEYSER STEVEN A.	17- Mar- 04	11- Oct- 04	1- Sep- 05
US20050187 192	Phospholipids for the treatment of infection by togaviruses, herpes viruses and coronaviruses		20- Feb- 04	20- Feb- 04	25- Aug- 05
US20050186 575	Corona-virus-like particles comprising functionally deleted genomes	BOSCH BEREND J.	17- May- 02	30- Dec- 03	25- Aug- 05
US20050182 243	Membrane scaffold proteins	BAYBURT TIMOTHY H.	18- Jun- 03	11- Jan- 05	18- Aug- 05
US20050181 357	High-throughput diagnostic assay for the human virus causing severe acute respiratory syndrome (SARS)	CHAN KWOK H.	24- Mar- 03	24- Mar- 04	18- Aug- 05
US20050181 075	Pharmacological enhancement and manufacturing method of antiviral compound	GONG JIAO	21- Nov- 03	21- Nov- 03	18- Aug- 05
US20050176 661	Antiviral oligonucleotides		5- Dec- 02	12- Sep- 03	11- Aug- 05
US20050171 044	Oligonucleotide compound and method for treating nidovirus infections	BESTWICK RICHARD K.	24- Dec- 03	22- Dec- 04	4- Aug- 05
US20050169 885	Recombinant super-compound interferon	WEI GUANGWEN	28- Aug- 03	26- Aug- 04	4- Aug- 05
US20050164 167	Method of discovery and development of broad-spectrum antiviral drugs	BUSCHER BENJAMIN A.	28- Jan- 04	28- Jan- 04	28- Jul- 05

US20050163 648	METHOD AND APPARATUS FOR STERILIZING AIR IN LARGE VOLUMES BY RADIATION OF ULTRAVIOLET RAYS	LIANG MICHAEL Y.	26- Jan- 04	26- Jan- -04	28- Jul- 05
US20050158 411	Methods and apparatus to prevent, treat, and cure the symptoms of nausea caused by chemotherapy treatments of human cancers	VAIL MARILYN L.	8- Dec- 03	27- Nov- -04	21- Jul- 05
US20050158 325	Immunomodulatory combinations		30- Dec- 03	30- Dec- -04	21- Jul- 05
US20050153 912	Antiviral oligonucleotides targeting viral families		5- Dec- 02	12- Sep- -03	14- Jul- 05
US20050153 310	Luciferase biosensor	BUTLER BRAEDEN	10- Oct- 03	1- Oct- -04	14- Jul- 05
US20050148 658	Method for preventing and treating severe acute respiratory syndrome	HENSLEY CHARLES	5- Jan- 04	5- Jan- -04	7- Jul- 05
US20050147 697	Compositions and methods for reducing the transmissivity of illnesses	ROSENBLOOM RICHARD A.	6- Feb- 03	14- Dec- -04	7- Jul- 05
US20050142 536	Method and kit for the detection of a novel coronavirus associated with the severe acute respiratory syndrome (SARS)	LAUE THOMAS	30- Apr- 03	30- Apr- -04	30- Jun- 05
US20050142 157	Oxidative reductive potential water solution and methods of using the same	Oculus Innovative Sciences, Inc.	30- Dec- 03	11- Aug- -04	30- Jun- 05
US20050139 808	Oxidative reductive potential water solution and process for producing same	Oculus Innovative Sciences, Inc.	30- Dec- 03	4- Jun- -04	30- Jun- 05
US20050123 563	Lipoparticles comprising proteins, methods of making, and using the same	DORANZ BENJAMIN J.	30- Jul-03	28- Jul- 04	9- Jun- 05
US20050119 284	ANTIVIRAL AGENTS AND METHODS OF USE	Wisconsin Alumni Research Foundation -	30- Sep- 03	30- Sep- -04	2- Jun- 05
US20050119 251	Nicotinamide derivatives and their use as therapeutic agents	FINE RICHARD M.	21- Dec- 01	6- Jul- 04	2- Jun- 05
US20050117 187	Apparatus for forming nano-grating device	CHEN YUNG-HSIN	17- Mar- 04	17- Mar- -04	2- Jun- 05
US20050114 910	Transgenic mice having a human major histocompatibility complex (MHC) phenotype, experimental uses and applications	AURIAULT CLAUDE	30- Jul-03	2- Jul- 04	26- May- -05
US20050113 298	Receptor binding peptides derived from the SARS S protein		15- Sep- 03	13- Sep- -04	26- May- -05
US20050112 559	Compositions and methods for diagnosing and preventing severe acute respiratory syndrome (SARS)		29- Sep- 03	29- Sep- -04	26- May- -05
US20050112 558	Prognostic PCR assay for severe acute respiratory syndrome (SARS)	The Chinese University of Hong Kong	24- Sep- 03	23- Sep- -04	26- May- -05
US20050112 555	Cytidine deaminase activators, deoxycytidine deaminase activators, Vif antagonists, and methods of screening for molecules thereof	DEWHURST STEPHEN	3- Sep- 03	3- Sep- -04	26- May- -05
US20050112 554	Characterization of the earliest stages of the severe acute respiratory syndrome (SARS) virus and uses thereof	HENG XU RUI	9-Jul-04	9- Jul- 04	26- May- -05
US20050107 324	Modulation of CEACAM1 expression	BENNETT C. F.	12- Jul-03	12- Jul- 04	19- May- -05
US20050106 563	Epitope profiles of SARS coronavirus		8- Sep- 03	8- Sep- -04	19- May- -05
US20050101 581	Therapeutic treatment methods 2	AHLEM CLARENCE N.	28- Aug- 02	5- Dec- -03	12- May- -05
US20050100 885	Compositions and methods for the treatment of severe acute respiratory syndrome (SARS)	BAKER BRENDA F.	28- Apr- 03	26- Apr- -04	12- May- -05
US20050100 883	Peptide-based diagnostic reagents for SARS	CHANG TSENG Y.	12- Nov- 03	12- Nov- -03	12- May- -05
US20050100 612	Virucidal activities of cetylpyridinium chloride	ViraTox, L.L.C.	7- Nov- 03	10- Sep- -04	12- May- -05
US20050096 259	Neutrophil activation by immune response modifier compounds		31- Oct- 03	1- Nov- -04	5- May- -05
US20050095 618	Compositions and methods for diagnosing and treating severe acute respiratory syndrome (SARS)	The Chinese University of Hong Kong	29- Jul-03	28- Jul- 04	5- May- -05
US20050095 582	Compositions and methods for detecting severe acute respiratory syndrome coronavirus	Diagnostic Hybrids, Inc.	3- Nov- 03	3- Nov- -03	5- May- -05

US20050090505	Methods of reducing risk of infection from pathogens	HOPKINS SAMUEL E.	20-Aug-03	18-Aug-04	28-Apr-05
US20050085529	Prenylation inhibitors reduce host cell permissiveness to viral replication		21-Oct-03	21-Oct-03	21-Apr-05
US20050080093	Methods of reducing risk of infection from pathogens	HOPKINS SAMUEL E.	18-Aug-04	18-Aug-04	14-Apr-05
US20050075307	Modulation of aminopeptidase N expression	BENNETT C. FRANK	12-Jul-03	12-Jul-04	7-Apr-05
US20050074743	Method and composition for treating a biological sample	CHAPMAN JOHN	6-Oct-03	6-Oct-03	7-Apr-05
US20050074359	Aircraft and passenger decontamination system	STERIS INC.	6-Oct-03	6-Oct-03	7-Apr-05
US20050071892	Techniques and applications of establishment of SARS-CoV primate model	GAO HONG	27-Jun-03	25-Jun-04	31-Mar-05
US20050070460	Infection prophylaxis using immune response modifier compounds	3M Innovative Properties Company	5-Aug-03	5-Aug-04	31-Mar-05
US20050069911	Proteome epitope tags and methods of use thereof in protein modification analysis	engeneOS, Inc.	10-May-02	5-Feb-04	31-Mar-05
US20050069869	SARS nucleic acids, proteins, antibodies, and uses thereof	AMBROSINO DONNA	4-Aug-03	4-Aug-04	31-Mar-05
US20050069558	Crystals and structures of SARS-CoV main protease	BONANNO JEFFREY B.	25-Jul-03	23-Jul-04	31-Mar-05
US20050069555	Thiosemicarbazones as anti-virals and immunopotentiators	BARSANTI PAUL A.	27-Dec-02	29-Dec-03	31-Mar-05
US20050065143	Pyridazine derivatives and their use as therapeutic agents	Xenon Pharmaceuticals Inc.	29-Jul-04	29-Jul-04	24-Mar-05
US20050059578	Compositions comprising phosphatidylethanolamine-binding peptides linked to anti-viral agents	HE JIN	15-Aug-03	15-Aug-03	17-Mar-05
US20050059576	Targeted delivery of antiviral compounds through hemoglobin bioconjugates	ADAMSON J. GORDON	30-Apr-98	17-May-04	17-Mar-05
US20050059072	Selective modulation of TLR gene expression	3M Innovative Properties Company	17-Sep-04	17-Sep-04	17-Mar-05
US20050058982	Modified small interfering RNA molecules and methods of use	Chiron Corporation	25-Jul-03	25-Jul-03	17-Mar-05
US20050054644	Hydrolytically-resistant boron-containing therapeutics and methods of use	AKAMA TSUTOMU	15-Jun-04	15-Jun-04	10-Mar-05
US20050054640	1-Amino 1H-imidazoquinolines	GRIESGRABER GEORGE W.	3-Sep-04	3-Sep-04	10-Mar-05
US20050053990	Cleavage of RNA by restriction endonucleases	ROBERTS RICHARD J.	31-Aug-04	31-Aug-04	10-Mar-05
US20050051497	Viral inactivation using ozone	KEYSER STEVEN A.	2-Aug-04	2-Aug-04	10-Mar-05
US20050048473	Enzymatic diagnostic test for SARS and other viral diseases	ARAD DORIT	23-Jun-04	23-Jun-04	3-Mar-05
US20050048465	Method of collecting nasopharyngeal cells and secretions for diagnosis of viral upper respiratory infections and screening for nasopharyngeal cancer	World Sense Technology Limited	20-Aug-04	20-Aug-04	3-Mar-05
US20050048072	Immunostimulatory combinations and treatments	3M Innovative Properties Company	25-Aug-04	25-Aug-04	3-Mar-05
US20050039220	Imageable animal model of SARS infection	XU MINGXU	27-May-04	27-May-04	17-Feb-05
US20050037338	Method and means for detection of severe acute respiratory syndrome	TSENG KUO-TANG	14-Aug-03	14-Aug-03	17-Feb-05
US20050036951	Methods of treating lung diseases	Arizeke Pharmaceuticals, Inc.	9-Jan-04	9-Jan-04	17-Feb-05
US20050032222	Modified viral particles with immunogenic properties and reduced lipid content useful for treating and preventing infectious diseases	BELLOTTI MARC	29-Jun-00	21-Jun-04	10-Feb-05
US20050031620	Combined cancer treatment methods using selected antibodies to aminophospholipids	HUANG XIANMING	15-Aug-03	15-Aug-03	10-Feb-05
US20050031592	Methods and compositions for inducing immune responses and protective immunity by priming with alpha virus replicon vaccines	BRICE GARY L.	13-Nov-03	13-Nov-03	10-Feb-05

US20050025788	Systemic delivery of non-viral vector expressing SARS viral genomic vaccine	CHOU GEORGE CHIN-SHENG	4-Jun-04	4-Jun-04	3-Feb-05
US20050025761	Anti-viral treatment methods using phosphatidylethanolamine-binding peptides linked to anti-viral agents	Board of Regents, The University of Texas System	15-Aug-03	15-Aug-03	3-Feb-05
US20050020524	Hematopoietic stem cell gene therapy	Monash University	15-Apr-99	30-Dec-03	27-Jan-05
US20050019756	Methods and compositions for use in diagnosing and characterizing diseases involving abnormal apoptosis	DE MEIRLEIR KENNY	26-May-04	26-May-04	27-Jan-05
US20050015847	Compositions and methods for preventing infection	HILDRETH JAMES E.	8-Aug-03	8-Aug-03	27-Jan-05
US20050014830	Substances for breaking down conformation of microbes	CHU SHU FANG	17-Jul-03	4-Jun-04	20-Jan-05
US20050014752	Prodrugs of heteroaryl compounds	Koronis Pharmaceuticals, Incorporated	31-Mar-04	31-Mar-04	20-Jan-05
US20050009110	Methods of producing antibodies for diagnostics and therapeutics	CHANG XIAO-JIA	8-Jul-03	8-Jul-03	13-Jan-05
US20050009009	Diagnostic assay for the human virus causing severe acute respiratory syndrome (SARS)	CHAN KWOK HUNG	24-Mar-04	24-Mar-04	13-Jan-05
US20050008535	Noble gas-chlorine mixture effective against micro organisms	GLOBUS ALFRED R.	7-Jul-03	7-Jul-03	13-Jan-05
US20050004144	Combined use of IMPDH inhibitors with toll-like receptor agonists	REGENTS OF THE UNIVERSITY OF CALIFORNIA	14-Apr-04	14-Apr-04	6-Jan-05
US20050004071	Charged polysaccharides resistant to lysosomal degradation during kidney filtration and renal passage and their use to treat or prevent infection by coronaviruses	COMPER WAYNE D.	20-Apr-04	20-Apr-04	6-Jan-05
US20050004063	Inhibition of SARS-associated coronavirus (SCoV) infection and replication by RNA interference	GUAN YI	19-May-04	19-May-04	6-Jan-05
US20050003340	Assay system and methods for detecting SARS-CV	AsiaGEN Corporation	1-Jul-03	1-Jul-03	6-Jan-05
US20050002953	SARS-coronavirus virus-like particles and methods of use	HEROLD JENS	4-May-04	4-May-04	6-Jan-05
US20050002941	Combinations and kits for cancer treatment using selected antibodies to aminophospholipids	Board of Regents, The University of Texas System	15-Aug-03	15-Aug-03	6-Jan-05
US20050002913	Hematopoietic stem cell gene therapy	Monash University	15-Apr-99	18-Apr-03	6-Jan-05
US20050002901	Compositions and methods for treating coronavirus infection and SARS	BLATT LAWRENCE M.	30-Mar-04	30-Mar-04	6-Jan-05
US20040265879	Compositions for enhancing transport of molecules into cells	IVERSEN PATRICK L.	29-Apr-04	29-Apr-04	30-Dec-04
US20040265796	Methods and kits for detecting SARS-associated coronavirus	BRIESE THOMAS	23-Jan-04	23-Jan-04	30-Dec-04
US20040265367	Liposomes coated with selected antibodies that bind to aminophospholipids	HUANG XIANMING	15-Aug-03	15-Aug-03	30-Dec-04
US20040265351	Methods and compositions for enhancing immune response	KEDL ROSS M.	9-Apr-04	9-Apr-04	30-Dec-04
US20040259934	Inhibiting Coronaviridae viral replication and treating Coronaviridae viral infection with nucleoside compounds	CARROLL STEVEN S.	27-Apr-04	27-Apr-04	23-Dec-04
US20040259803	Disease prevention by reactivation of the thymus	Monash University	15-Apr-99	30-Dec-03	23-Dec-04
US20040258698	Delivery of immune response modifier compounds	JING NAIYONG	9-Apr-04	9-Apr-04	23-Dec-04
US20040253624	Microporous materials, methods of making, using, and articles thereof	DURTSCHI JACOB	26-May-04	26-May-04	16-Dec-04
US20040253328	Anti-atypical pneumonia decoction	HU XIN YUAN	13-Jun-03	21-Jul-03	16-Dec-04
US20040241842	Stimulation of thymus for vaccination development	Monash University	15-Apr-99	30-Dec-03	2-Dec-04
US20040237198	Protecting shield for performing the insertion of a tube during emergency rescuing or anesthesia	YANG JUI KUANG	2-Jun-03	2-Jun-03	2-Dec-04
US20040235952	Inhibitors of severe acute respiratory syndrome (SARS) 3C-like proteinase	Agouron Pharmaceuticals, Inc.	27-Apr-04	27-Apr-04	25-Nov-04

US20040235 946	Organosulphur prodrugs for the prevention and treatment of infectious diseases and pathogenic immune system response	OTT DAVID M.	24- May- 04	24- May- 04	25- Nov- 04
US20040235 047	Compositions and methods for treatment of Severe Acute Respiratory Syndrome (SARS)	SIBER GEORGE R.	20- May- 03	20- May- 03	25- Nov- 04
US20040234 457	Methods of preventing and treating SARS using low pH respiratory tract compositions	The Procter & Gamble Company	2- Feb- 04	2- Feb- 04	25- Nov- 04
US20040229 828	Antiviral oligonucleotides targeting RSV	Replicor, Inc.	12- Sep- 03	12- Sep- 03	18- Nov- 04
US20040229 778	Pharmaceutical compositions of antithrombin III for the treatment of retroviral diseases	ELMALEH DAVID R.	13- May- 03	13- May- 03	18- Nov- 04
US20040229 219	Method of inhibiting human metapneumovirus and human coronavirus in the prevention and treatment of severe acute respiratory syndrome (SARS)	GALLAHER WILLIAM R.	29- Apr- 04	29- Apr- 04	18- Nov- 04
US20040229 211	Sensitive diagnostic testing methodology using multiplex real time PCR with one dye (MOD) and its use as in severe acute respiratory syndrome (SARS)	YEUNG WAH HIN ALEX	22- Aug- 03	22- Aug- 03	18- Nov- 04
US20040220 139	Inhibiting viral infections	SCEUSA NICHOLAS A.	5- Nov- 03	5- Nov- 03	4- Nov- 04
US20040219 155	Selected immunoconjugates for binding to aminophospholipids	RAN SOPHIA	15- Aug- 03	15- Aug- 03	4- Nov- 04
US20040214 785	Surface sanitizing compositions with improved antimicrobial performance	Xantech Pharmaceuticals, Inc.	9- Mar- 04	9- Mar- 04	28- Oct- 04
US20040214 764	Anti-viral treatment methods using phosphatidylethanolamine-binding peptide derivatives	HE JIN	15- Aug- 03	15- Aug- 03	28- Oct- 04
US20040213 779	Methods for treating viral infections using immunoconjugates to aminophospholipids	RAN SOPHIA	15- Aug- 03	15- Aug- 03	28- Oct- 04
US20040209 844	Compositions and methods for preventing infection	HILDRETH JAMES E.	22- Sep- 03	22- Sep- 03	21- Oct- 04
US20040208 873	Human monoclonal antibodies against interleukin 8 (IL-8)	GENMAB A/S	16- Dec- 03	16- Dec- 03	21- Oct- 04
US20040208 868	Selected antibody CDRs for binding to aminophospholipids	Board of Regents, The University of Texas System	15- Aug- 03	15- Aug- 03	21- Oct- 04
US20040204 420	Compounds for modulating RNA interference	RANA TARIQ M.	5- Aug- 03	5- Aug- 03	14- Oct- 04
US20040202 720	Delivery of immune response modifier compounds using metal-containing particulate support materials	3M Innovative Properties Company	9- Apr- 04	9- Apr- 04	14- Oct- 04
US20040191 833	Selective activation of cellular activities mediated through a common toll-like receptor	3M Innovative Properties Company	24- Mar- 04	24- Mar- 04	30- Sep- 04
US20040184 950	Building decontamination with vaporous hydrogen peroxide	STERIS INC.	29- Jan- 04	29- Jan- 04	23- Sep- 04
US20040180 380	Proteome epitope tags and methods of use thereof in protein modification analysis	engeneOS, Inc.	13- Nov- 03	13- Nov- 03	16- Sep- 04
US20040176 367	1-Amino 1H-imidazoquinolines	3M Innovative Properties Company	5- Mar- 04	5- Mar- 04	9- Sep- 04
US20040175 378	Selected antibody compositions and methods for binding to aminophospholipids	Board of Regents, The University of Texas System	15- Jul-03	15- Jul-03	9- Sep- 04
US20040171 568	Antiviral oligonucleotides targeting HIV	Replicor, Inc.	12- Sep- 03	12- Sep- 03	2- Sep- 04
US20040171 086	Selective modulation of TLR-mediated biological activity	3M Innovative Properties Company	27- Feb- 04	27- Feb- 04	2- Sep- 04
US20040170 965	Mixed cell diagnostic systems	GOODRUM PATRICIA GAIL RAY	30- Mar- 04	30- Mar- 04	2- Sep- 04
US20040170 959	Methods for identifying antiviral oligonucleotides	Replicor, Inc.	11- Sep- 03	12- Sep- 03	2- Sep- 04
US20040170 649	Method of treating and preventing infectious diseases via creation of a modified viral particle with immunogenic properties	CHAM BILL E.	29- Jun- 00	20- Jun- 03	2- Sep- 04
US20040170 620	Selected antibody compositions for binding to aminophospholipids	RAN SOPHIA	15- Jul-03	15- Jul-03	2- Sep- 04
US20040167 161	Method of treating or inhibiting the development of brain inflammation and sepsis	NOZAKI MASAKO	20- May- 03	26- Nov- 03	26- Aug- 04

US20040167073	Casein derived peptides and uses thereof	Chay 13 Medical Research Group N.V.	1-Mar-00	1-Mar-04	26-Aug-04
US20040162309	Methods and compositions related to IRM compounds and toll-like receptor 8	3M Innovative Properties Company	12-Feb-04	12-Feb-04	19-Aug-04
US20040162254	Antiviral oligonucleotides targeting HSV and CMV	Replicor, Inc.	12-Sep-03	12-Sep-03	19-Aug-04
US20040162253	Antiviral oligonucleotides targeting HBV	Replicor, Inc.	12-Sep-03	12-Sep-03	19-Aug-04
US20040147543	Aryl substituted imidazoquinolines	3M Innovative Properties Company	18-Dec-03	18-Dec-03	29-Jul-04
US20040147440	Compositions comprising cell-impermeant duramycin derivatives	Board of Regents, The University of Texas System	15-Aug-03	15-Aug-03	29-Jul-04
US20040142852	Composition and its therapeutic use	AL SARI AHMAD M. H.	9-May-02	29-May-03	22-Jul-04
US20040142322	Continuous non-radioactive polymerase assay	Schering Corporation	7-Oct-03	7-Oct-03	22-Jul-04
US20040141950	Immunostimulatory combinations	3M Innovative Properties Company	30-Dec-03	30-Dec-03	22-Jul-04
US20040138187	Therapeutic treatment methods	AHLEM CLARENCE N.	28-Aug-03	28-Aug-03	15-Jul-04
US20040131622	Combinations and kits for treating viral infections using immunoconjugates to aminophospholipids	Board of Regents	15-Aug-03	15-Aug-03	8-Jul-04
US20040131621	Combinations and kits for treating viral infections using antibodies to aminophospholipids	RAN SOPHIA	15-Aug-03	15-Aug-03	8-Jul-04
US20040131610	Methods for treating viral infections using antibodies to aminophospholipids	RAN SOPHIA	15-Aug-03	15-Aug-03	8-Jul-04
US20040081667	Compositions and methods for treating and preventing infection	HILDRETH JAMES E.	22-Jul-03	22-Jul-03	29-Apr-04
US20040077587	2'-C-methyl-3'-O-L-valine ester ribofuranosyl cytidine for treatment of flaviviridae infections	LACOLLA PAOLA	27-Jun-03	27-Jun-03	22-Apr-04
US20040071757	Inhalation antiviral patch	ROLF DAVID	10-Jun-03	10-Jun-03	15-Apr-04
US20040071709	Corona-virus-like particles comprising functionally deleted genomes	BOSCH BEREND-JAN	17-May-01	14-Apr-03	15-Apr-04
US20040067920	Nebulizer formulations of dehydroepiandrosterone and methods of treating asthma or chronic obstructive pulmonary disease using compositions thereof	JOHNSON KEITH A.	17-Jun-03	17-Jun-03	8-Apr-04
US20040009943	Pathogen vaccines and methods for using the same	Inex Pharmaceuticals Corporation	12-May-03	12-May-03	15-Jan-04
US20040009245	Methods and apparatus to prevent, treat and cure infections of the human respiratory system by pathogens causing severe acute respiratory syndrome (SARS)	VAIL MARILYN L.	2-May-03	2-May-03	15-Jan-04
US20040009152	Materials and methods for prevention and treatment of RNA viral diseases	BEHERA ARUNA K.	30-Apr-03	30-Apr-03	15-Jan-04
US20040005998	Method for preparation of large volume batches of poly-ICLC with increased biological potency; therapeutic, clinical and veterinary uses thereof	ONCOVIR, INC.	1-Jul-03	1-Jul-03	8-Jan-04
US20030224353	Antisense antiviral agent and method for treating ssRNA viral infection	IVERSEN PATRICK L.	24-Apr-03	24-Apr-03	4-Dec-03
US10669245	Certain (2S)-N-[(1S)-1-cyano-2-phenylethyl]-1,4-oxazepane-2-carboxamides dipeptidyl peptidase 1 inhibitors	ASTRAZENECA AB	24-Jan-14	19-Mar-19	2-Jun-20
US10666592	RNA targeting methods and compositions	Salk Institute for Biological Studies	22-Aug-17	31-Dec-18	26-May-20
US10662485	Bioagent detection oligonucleotides	IBIS BIOSCIENCES, INC.	27-Dec-11	13-Apr-18	26-May-20
US10662464	Methods of analyzing virus-derived therapeutics	American International Biotechnology, LLC	31-Jul-15	29-Jul-16	26-May-20
US10662423	Compositions for and methods of identifying antigens	President and Fellows of Harvard College	21-Feb-06	12-Feb-18	26-May-20



US10660824	Devices, system and method to control the delivery of oral medications to ensure they are efficacious , taken as prescribed, and to avoid unwanted side effects	Not Available	11-Aug-15	11-Aug-16	26-May-20
US10655108	Cell-derived viral vaccines with low levels of residual cell DNA	Seqirus UK Limited	1-Nov-05	1-Nov-06	19-May-20
US10655099	Animal protein-free media for cultivation of cells	Baxalta GmbH	29-Oct-04	29-Oct-18	19-May-20
US10654898	Recombinant human/bovine parainfluenza virus 3 (B/HPIV3) expressing a chimeric RSV/BPIV3 F protein and uses thereof	The United States of America, as represented by the Secretary, Department of Health and Human Services	20-Jan-15	20-Jan-16	19-May-20
US10647998	Tissue preferential codon modified expression cassettes, vectors containing same, and uses thereof	The Trustees of the University of Pennsylvania	29-Apr-13	20-Jun-17	12-May-20
US10647781	Generation of binding molecules	Merus N.V.	26-Sep-11	22-Nov-17	12-May-20
US10647758	Compositions comprising AAV expressing dual antibody constructs and uses thereof	THE TRUSTEES OF THE UNIVERSITY OF PENNSYLVANIA	13-May-14	2-Jul-19	12-May-20
US10646563	Vaccines and immunotherapeutics using IL-28 and compositions and methods of using	THE TRUSTEES OF THE UNIVERSITY OF PENNSYLVANIA	4-Apr-08	11-Sep-18	12-May-20
US10646438	Methods for inducing an immune response via buccal and/or sublingual administration of a vaccine	BOARD OF REGENTS, THE UNIVERSITY OF TEXAS SYSTEM	26-Jul-10	10-May-17	12-May-20
US10641707	Systems and methods for distinguishing optical signals of different modulation frequencies in an optical signal detector	Gen-Probe Incorporated	24-Feb-11	21-Mar-14	5-May-20
US10640788	CRISPR-related methods and compositions with governing gRNAs	Editas Medicine, Inc.	7-Nov-13	24-Jan-19	5-May-20
US10640785	Virus vectors for highly efficient transgene delivery	The Children's Hospital of Philadelphia	22-Nov-11	21-Nov-12	5-May-20
US10640776	Method for propagating adenoviral vectors encoding inhibitory gene products	GenVec, Inc.	10-Nov-05	7-Sep-17	5-May-20
US10640763	Molecular indexing of internal sequences	Cellular Research, Inc.	31-May-16	16-May-17	5-May-20
US10633447	Soluble engineered monomeric Fc	The United States of America, as represented by the Secretary, Department of Health and Human Services	16-Mar-12	9-May-17	28-Apr-20
US10632133	Anti-viral azide containing compounds	LIFE TECHNOLOGIES CORPORATION	28-Jul-10	7-Dec-17	28-Apr-20
US10626415	Method of increasing the function of an AAV vector	The Trustees of the University of Pennsylvania	7-Apr-05	27-Oct-17	21-Apr-20
US10626379	Production of viruses in cell culture	Commonwealth Scientific and Industrial Research Organisation	24-Nov-15	25-Jan-19	21-Apr-20
US10619186	Methods and compositions for library normalization	Cellular Research, Inc.	11-Sep-15	8-Sep-16	14-Apr-20
US10619153	TAL effector-mediated DNA modification	Iowa State University Research Foundation, Inc.	10-Dec-09	5-Oct-17	14-Apr-20
US10617677	Nuclear transport modulators and uses thereof	Biogen MA Inc.	9-May-12	17-Jul-18	14-Apr-20
US10614284	Descriptive measurements and quantification of staining artifacts for in situ hybridization	Ventana Medical Systems, Inc.	26-May-15	21-Nov-17	7-Apr-20
US10611827	Non-human primate-derived pan-ebola and pan-filovirus monoclonal antibodies directed against envelope glycoproteins	INTEGRATED BIOTHERAPEUTICS, INC.	28-Oct-14	27-Oct-15	7-Apr-20
US10610584	Reverse genetics systems	Seqirus UK Limited	31-Jul-09	16-Oct-17	7-Apr-20
US10610571	Cytokine conjugates for the treatment of proliferative and infectious diseases	SYNTHORX, INC.	3-Aug-17	7-Jun-19	7-Apr-20
US10605808	Antibody producing non-human animals	Merus N.V.	27-Jun-08	27-Apr-16	31-Mar-20
US10604729	Liquid loading composition, method of making and use thereof	DEVMAR PRODUCTS, LLC	8-Sep-16	21-May-18	31-Mar-20
US10604574	Oncolytic viral delivery of therapeutic polypeptides	ONCORUS, INC.	30-Jun-16	25-Oct-18	31-Mar-20
US10604561	Anti-dengue virus antibodies, polypeptides containing variant Fc regions, and methods of use	Agency for Science, Technology and Research	16-Sep-16	15-Sep-17	31-Mar-20
US10604549	Adenovirus comprising an albumin-binding moiety	FUNDACI3N INSTITUT D'INVESTIGACI3N BIOM3DICA DE BELLVITGE (IDIBELL)	30-Apr-14	30-Apr-15	31-Mar-20

US10603356	Compositions and method for treatment of inflammatory bowel disease	THE REGENTS OF THE UNIVERSITY OF CALIFORNIA	2-Jun-11	21-Apr-16	31-Mar-20
US10603299	Prevention and treatment of viral infections	Not Available	2-Jun-16	3-Jul-19	31-Mar-20
US10597736	Compositions and methods for detecting viruses in a sample	Washington University	29-Jan-16	27-Jan-17	24-Mar-20
US10596264	Peptides with viral infection enhancing properties and their use	Centre National de la Recherche Scientifique	30-Jun-11	28-Jun-12	24-Mar-20
US10596197	Red blood cell membrane-derived microparticles and their use for the treatment of lung disease	University of Pittsburgh <sup>h</sup> Of the Commonwealth System of Higher Education	7-Nov-13	1-Jun-18	24-Mar-20
US10591714	Endoscopic apparatus for thermal distribution monitoring	ELECTRONICS AND TELECOMMUNICATIONS RESEARCH INSTITUTE	7-Sep-16	31-May-17	17-Mar-20
US10590435	Adeno-associated virus (AAV) serotype 8 sequences, vectors containing same, and uses therefor	The Trustees of the University of Pennsylvania	17-Dec-01	26-Sep-18	17-Mar-20
US10590413	Chiral control	WAVE LIFE SCIENCES LTD.	13-Jul-12	17-Mar-17	17-Mar-20
US10590112	Dihydropyrimidinyl benzazepine carboxamide compounds	Hoffmann-La Roche Inc.	9-Jun-17	7-Dec-18	17-Mar-20
US10588966	Methods and compositions for inhibiting Akt3	Augusta University Research Institute, Inc.	15-Jan-16	6-Feb-19	17-Mar-20
US10583086	Technology for preparation of macromolecular microspheres	Ansun Biopharma, Inc.	24-Jan-06	25-Sep-17	10-Mar-20
US10577375	Derivatives of porphyrins, their process of preparation and their use for treating viral infections	CENTRE NATIONAL DE LA RECHERCHE SCIENTIFIQUE	30-Oct-15	28-Oct-16	3-Mar-20
US10570416	TC-83-derived alphavirus vectors, particles and methods	ALPHAVAX, INC.	18-May-04	11-Aug-16	25-Feb-20
US10570209	Methods for inducing or enhancing an immune response by administering agonistic glucocorticoid-induced TNFR-family-related receptor (GITR) antibodies	GITR, Inc.	25-Mar-05	28-Jun-18	25-Feb-20
US10564160	Antibody-secreting cell assay	MABTECH AB	28-Aug-08	28-Aug-09	18-Feb-20
US10564152	Method and device for detecting antigen-specific antibodies in a biological fluid sample by using neodymium magnets	The United States of America, as represented by the Secretary, Department of Health and Human Services	1-Sep-15	8-Aug-16	18-Feb-20
US10563224	Replication defective adenovirus vector in vaccination	Etubics Corporation	24-Aug-12	15-Feb-17	18-Feb-20
US10563154	Disinfecting aqueous foam, process for preparing same and use thereof	COMMISSARIAT A L'ENERGIE ATOMIQUE ET AUX ENERGIES ALTERNATIVES	16-Jun-15	15-Jun-16	18-Feb-20
US10562861	Carboxylic acid compounds	Sumitomo Dainippon Pharma Co., Ltd.	18-May-12	23-Oct-18	18-Feb-20
US10561743	AAV vectors targeted to the central nervous system	The University of North Carolina at Chapel Hill	21-Nov-14	13-Jun-19	18-Feb-20
US10561722	Methods and compositions for enhancing immune responses	Bavarian Nordic A/S	3-Sep-14	3-Sep-15	18-Feb-20
US10561126	Genetically modified non-human animals and methods of use thereof	Institute for Research in Biomedicine (IRB)	13-Apr-15	16-Apr-18	18-Feb-20
US10557136	In vivo delivery of oligonucleotides	Oncolmmunin Inc.	12-Dec-11	12-Dec-12	11-Feb-20
US10557119	Erythroid cells comprising phenylalanine ammonia lyase	RUBIUS THERAPEUTICS, INC.	18-Nov-13	10-May-19	11-Feb-20
US10555993	Dimethyl fumarate and vaccination regimens	Biogen MA Inc.	14-Mar-14	23-Apr-19	11-Feb-20
US10550378	Composition comprising a gene vector that selectively depletes P16 positive senescent cells	Kythera Biopharmaceuticals, Inc.	17-Apr-12	10-Jun-19	4-Feb-20
US10550174	Amino acid sequences directed against envelope proteins of a virus and polypeptides comprising the same for the treatment of viral diseases	Ablynx N.V.	5-Jun-08	17-Oct-17	4-Feb-20
US10548971	MERS-CoV vaccine	INOVIO PHARMACEUTICALS, INC.	29-Nov-13	29-Jun-18	4-Feb-20
US10548959	Compositions and methods for modified dendrimer nanoparticle delivery	Massachusetts Institute of Technology	23-Sep-16	23-Sep-16	4-Feb-20

US10544405	Cas9-nucleic acid complexes and uses related thereto	Emory University	16-Jan-13	15-Jan-14	28-Jan-20
US10544399	Highly efficient influenza matrix (M1) proteins	Novavax, Inc.	11-Jul-03	22-Mar-18	28-Jan-20
US10544193	Compositions and methods for treating diseases by inhibiting exosome release	MOREHOUSE SCHOOL OF MEDICINE	19-Dec-16	9-Jul-18	28-Jan-20
US10544108	Hydrazide containing nuclear transport modulators and uses thereof	Karyopharm Therapeutics Inc.	29-Jul-11	28-Nov-18	28-Jan-20
US10544102	Benzazepine dicarboxamide compounds with secondary amide function	Hoffmann-La Roche Inc.	19-May-17	13-Nov-18	28-Jan-20
US10543485	Slip chip device and methods	University of Chicago	24-Mar-09	25-May-16	28-Jan-20
US10543269	hMPV RNA vaccines	ModernaTX, Inc.	22-Oct-15	28-Mar-19	28-Jan-20
US10539488	Sample fixation and stabilisation	RNASSIST LTD.	1-Mar-13	14-Aug-17	21-Jan-20
US10538558	Inhibition of TCR signaling with peptide variants	SIGNABLOK, INC	30-Sep-09	22-Oct-18	21-Jan-20
US10538554	Peptides and uses therefor as antiviral agents	VIRAMATIX SDN BHD	27-Nov-15	28-Nov-16	21-Jan-20
US10533021	Boron-containing small molecules	Anacor Pharmaceuticals, Inc.	20-Jun-07	28-Sep-17	14-Jan-20
US10532111	Recombinant adeno-associated virus capsids resistant to pre-existing human neutralizing antibodies	The Board of Trustees of the Leland Stanford Junior University	16-Feb-16	18-Aug-17	14-Jan-20
US10532110	AAV vectors targeted to the central nervous system	The University of North Carolina at Chapel Hill	21-Nov-14	20-Nov-15	14-Jan-20
US10532107	Modified virus-like particles of CMV	SAIBA GMBH	22-Oct-14	20-Oct-15	14-Jan-20
US10532067	Delivery of RNA to trigger multiple immune pathways	GlaxoSmithKline Biologicals S.A.	6-Jul-10	5-Oct-17	14-Jan-20
US10527551	Method of predicting a performance characteristic of a plant or yeast hydrolysate and its use	Baxalta GmbH	30-Dec-13	18-Dec-14	7-Jan-20
US10526596	Purification of nucleic acids using metal-titanium oxides	Abbott Molecular Inc.	14-Jul-15	5-Jul-19	7-Jan-20
US10526295	Nuclear transport modulators and uses thereof	Karyopharm Therapeutics Inc.	31-Dec-15	30-Dec-16	7-Jan-20
US10526292	Dendrimer like amino amides possessing sodium channel blocker activity for the treatment of dry eye and other mucosal diseases	Parion Sciences, Inc.	29-May-12	20-Dec-17	7-Jan-20
US10526283	Prodrugs of dithiol mucolytic agents	PARION SCIENCES, INC.	30-Apr-15	2-May-16	7-Jan-20
US10525120	Methods and compositions for live attenuated viruses	TAKEDA VACCINES, INC.	6-Apr-07	22-Jul-16	7-Jan-20
US10525049	Specific Akt3 inhibitor and uses thereof	Augusta University Research Institute, Inc.	15-Jan-16	20-May-19	7-Jan-20
US10519130	Quinazolinones and azaquinazolinones as ubiquitin-specific protease 7 inhibitors	FORMA Therapeutics, Inc.	5-Feb-15	2-Nov-18	31-Dec-19
US10519129	Quinazolinones and azaquinazolinones as ubiquitin-specific protease 7 inhibitors	FORMA Therapeutics, Inc.	5-Feb-15	2-Nov-18	31-Dec-19
US10519128	Quinazolinones and azaquinazolinones as ubiquitin-specific protease 7 inhibitors	FORMA Therapeutics, Inc.	5-Feb-15	2-Nov-18	31-Dec-19
US10519127	Quinazolinones and azaquinazolinones as ubiquitin-specific protease 7 inhibitors	FORMA Therapeutics, Inc.	5-Feb-15	2-Nov-18	31-Dec-19
US10517947	Methods for preparing squalene	NOVARTIS AG	12-May-10	14-Dec-17	31-Dec-19
US10517923	Immunosuppressive agents and their use in therapy	Norwegian University of Science and Technology	6-Nov-13	6-Nov-14	31-Dec-19
US10517881	Pharmaceutical compositions and methods	POP TEST ONCOLOGY LLC	3-Aug-15	8-Jan-19	31-Dec-19
US10513508	Quinazolinones and azaquinazolinones as ubiquitin-specific protease 7 inhibitors	FORMA Therapeutics, Inc.	5-Feb-15	2-Nov-18	24-Dec-19

US10513507	Quinazolinones and azaquinazolinones as ubiquitin-specific protease 7 inhibitors	FORMA Therapeutics, Inc.	5-Feb-15	11-Dec-17	24-Dec-19
US10512684	Methods and compositions for intra-nasal immunization with recombinant MVA encoding flagellin	Bavarian Nordic A/S	26-Sep-14	25-Sep-15	24-Dec-19
US10512669	Blockade of inflammatory proteases with cyclic peptides	The Regents of the University of California	2-Jun-11	1-Jun-12	24-Dec-19
US10512665	Methods and compositions related to inhibition of viral entry	UNIVERSITY OF UTAH RESEARCH FOUNDATION	8-Feb-07	2-Jun-16	24-Dec-19
US10508098	Quinazolinones and azaquinazolinones as ubiquitin-specific protease 7 inhibitors	FORMA Therapeutics, Inc.	5-Feb-15	2-Nov-18	17-Dec-19
US10507244	Anti-TIGIT antigen-binding proteins and methods of use thereof	Potenza Therapeutics, Inc.	1-Oct-15	19-Jun-17	17-Dec-19
US10503347	System and method for detecting, collecting, analyzing, and communicating event-related information	Georgetown University	25-Feb-08	27-Jul-17	10-Dec-19
US10501733	Polypeptide assemblies and methods for the production thereof	University of Utah Research Foundation	27-Feb-15	29-Feb-16	10-Dec-19
US10501527	Mast cell stabilizers for treatment of hypercytokinemia and viral infection	Emergo Therapeutics, Inc.	8-Sep-16	7-Sep-17	10-Dec-19
US10501507	Griffithsin mutants	The United States of America, as represented by the Secretary, Department of Health and Human Services	10-Feb-15	10-Feb-16	10-Dec-19
US10501412	Conjugates of cell binding molecules with cytotoxic agents	HANGZHOU DAC BIOTECH CO., LTD.	12-Jul-12	12-Jul-12	10-Dec-19
US10500272	Manufacture of surfactant-containing compositions with enhanced stability	NOVARTIS AG	2-Dec-14	12-Mar-19	10-Dec-19
US10500267	Influenza virus vectors and uses therefor	FluGen, Inc.	17-Mar-14	21-Aug-17	10-Dec-19
US10495640	Exosome-mediated diagnosis of hepatitis virus infections and diseases	MOREHOUSE SCHOOL OF MEDICINE	6-Oct-08	13-Dec-16	3-Dec-19
US10494420	Mast cell stabilizers for treatment of hypercytokinemia and viral infection	Emergo Therapeutics, Inc.	8-Sep-16	15-Nov-18	3-Dec-19
US10488353	Apparatus and system for performing thermal melt analyses and amplifications	GEN-PROBE INCORPORATED	31-Jul-12	23-Feb-17	26-Nov-19
US10487350	Methods for diagnosing infectious diseases using adsorption media	ExThera Medical Corporation	8-Nov-13	16-Oct-15	26-Nov-19
US10487332	Immunisation of large mammals with low doses of RNA	GlaxoSmithKline Biologicals SA	6-Jul-10	6-Jul-11	26-Nov-19
US10487081	Guanidine substituted imidazo[4,5-c] ring compounds	3M Innovation Properties Company	31-Aug-15	22-Oct-18	26-Nov-19
US10485883	Adeno-associated virus (AAV) clades, sequences, vectors containing same, and uses therefor	The Trustees of the University of Pennsylvania	30-Sep-03	15-Feb-17	26-Nov-19
US10485861	Nanoparticle-based compositions	Massachusetts Institute of Technology	14-Mar-13	14-Mar-14	26-Nov-19
US10485856	Carbon nanotube compositions and methods of use thereof	Yale University	19-Mar-08	17-Mar-17	26-Nov-19
US10485761	Irradiated biodegradable polymer microparticles	GLAXOSMITHKLINE BIOLOGICALS, S.A.	24-Jan-10	16-May-18	26-Nov-19
US10479996	Antisense antiviral compound and method for treating ss/RNA viral infection	Sarepta Therapeutics, Inc.	16-Sep-04	6-Nov-14	19-Nov-19
US10479781	Peptidyl nitril compounds as dipeptidyl peptidase I inhibitors	Neuprozyme Therapeutics APS	5-Mar-15	4-Mar-16	19-Nov-19
US10476825	RNA targeting methods and compositions	Salk Institute for Biological Studies	22-Aug-17	27-Mar-18	12-Nov-19
US10472647	Primary mesenchymal stem cells as a vaccine platform	The Administrators of the Tulane Educational Fund	21-Dec-12	15-Nov-13	12-Nov-19
US10472420	Immune response modifier conjugates	3M Innovative Properties Company	22-Feb-06	20-Jan-15	12-Nov-19
US10472332	Antiviral compounds and methods	Biotron Limited	26-Jun-03	23-May-17	12-Nov-19
US10471408	Microspotting device	BioFire Diagnostics, LLC	18-Apr-12	5-Jan-17	12-Nov-19

US10471141	Bisphosphonate-containing vaccine pharmaceutical composition for humoral immunity	NITTO DENKO CORPORATION	3-Sep-14	2-Sep-15	12-Nov-19
US10471140	Composition for enhancing induction of humoral immunity, and vaccine pharmaceutical composition	NOTTO DENKO CORPORATION	4-Aug-14	18-Apr-19	12-Nov-19
US10471063	Drug combination of PDE3/PDE4 inhibitor and muscarinic receptor antagonist	Verona Pharma PLC	15-Mar-13	5-Jun-17	12-Nov-19
US10466245	Covalently linked thermostable kinase for decontamination process validation	The Secretary of State for Health	20-Feb-08	8-Jul-16	5-Nov-19
US10464988	Antibody/T-cell receptor chimeric constructs and uses thereof	EUREKA THERAPEUTICS, INC.	23-Oct-15	4-Sep-18	5-Nov-19
US10464975	Stabilized anti-microbial peptides	Dana-Farber Cancer Institute, Inc.	2-Jul-15	1-Jul-16	5-Nov-19
US10464955	Charged linkers and their uses for conjugation	HANGZHOU DAC BIOTECH CO., LTD.	28-Feb-14	28-Feb-14	5-Nov-19
US10464060	Loading vials	BioFare Diagnostics, LLC	10-Nov-11	9-Nov-12	5-Nov-19
US10463723	Methods and compositions for intranasal delivery	Shin Nippon Biomedical Laboratories, Ltd.	15-Apr-10	14-Mar-13	5-Nov-19
US10463615	Circulation of components during microfluidization and/or homogenization of emulsions	NOVARTIS AG	3-Dec-09	26-Jun-17	5-Nov-19
US10457974	Methods for diagnosing infectious diseases using adsorption media	ExThera Medical Corporation	8-Nov-13	2-Nov-16	29-Oct-19
US10457901	Cleaning composition, method of making and use thereof	DevMar Products, LLC	8-Sep-16	19-Sep-18	29-Oct-19
US10456464	Liquid immunity induction-promoting composition and vaccine pharmaceutical composition that include thrombosis treatment drug	NITTO DENKO CORPORATION	4-Aug-14	4-Aug-15	29-Oct-19
US10450620	Cell-free nucleic acids for the analysis of the human microbiome and components thereof	The Board of Trustees of the Leland Stanford Junior University	7-Nov-13	7-Nov-14	22-Oct-19
US10450383	Carbonic anhydrase IX (G250) antibodies and methods of use thereof	DANA-FARBER CANCER INSTITUTE, INC.	2-Dec-05	9-May-17	22-Oct-19
US10443049	Active low molecular weight variants of angiotensin converting enzyme 2 (ACE2)	Northwestern University	24-Jan-17	24-Jan-18	15-Oct-19
US10442853	Antibodies and processes for preparing the same	TAIGA BIOTECHNOLOGIES, INC.	16-May-08	23-Aug-16	15-Oct-19
US10434158	Combination of vaccination and inhibition of the PD-1 pathway	CureVac AG	22-Feb-13	7-Feb-18	8-Oct-19
US10434116	Methods of treating coronavirus infection	United States Government as represented by the Secretary, Department of Health and Human Services	7-Apr-14	7-Apr-15	8-Oct-19
US10428128	Helix-grafted proteins as inhibitors of disease-relevant protein-protein interactions	Colorado State University Research Foundation	7-Nov-14	9-Nov-15	1-Oct-19
US10428102	Glycolipids and pharmaceutical compositions thereof for use in therapy	THE UNIVERSITY OF NOTTINGHAM	4-Apr-14	7-Apr-15	1-Oct-19
US10428083	Heterocyclymethyl-thienouracile as antagonists of the adenosine-A2B-receptor	BAYER PHARMA AKTIENGESELLSCHAFT	26-Mar-15	21-Mar-16	1-Oct-19
US10428027	Sulfinylphenyl or sulfonimidoylphenyl benzazepines	Hoffmann La-Roche Inc.	17-Sep-15	8-Mar-18	1-Oct-19
US10426737	Lipids and lipid compositions for the delivery of active agents	Novartis AG	19-Dec-13	17-Dec-14	1-Oct-19
US10421991	Rapid epidemiologic typing of bacteria	BioFire Diagnostics, LLC	19-May-08	11-Nov-15	24-Sep-19
US10421962	Double-stranded oligonucleotide molecules to DDIT4 and methods of use thereof	Quark Pharmaceuticals, Inc.	12-Sep-12	15-Feb-17	24-Sep-19
US10420837	Vaccine pharmaceutical composition for transdermal administration	NITTO DENKO CORPORATION	2-Oct-14	1-Oct-15	24-Sep-19
US10420685	Mobile clinics	Baylor College of Medicine	12-Nov-14	11-Nov-15	24-Sep-19
US10416171	Influenza potency assays	Seqirus UK Limited	7-Jul-15	7-Jul-16	17-Sep-19
US10416161	Exosome-mediated diagnosis of hepatitis virus infections and diseases	MOREHOUSE SCHOOL OF MEDICINE	6-Oct-08	20-Sep-16	17-Sep-19

US10414800	Methods for producing a decapeptide	NovoBiotic Pharmaceuticals, LLC	3-Dec-12	15-Jun-16	17-Sep-19
US10414779	Fused [1,2]imidazo[4,5-C] ring compounds substituted with guanidino groups	3M Innovative Properties Company	26-Aug-16	1-Aug-17	17-Sep-19
US10407492	Amino acid sequences directed against envelope proteins of a virus and polypeptides comprising the same for the treatment of viral diseases	Ablynx N.V.	5-Jun-08	17-Oct-17	10-Sep-19
US10407472	Fusion proteins, recombinant bacteria, and methods for using recombinant bacteria	Spogen Biotech Inc.	17-Sep-14	14-Dec-17	10-Sep-19
US10407431	Compounds and compositions as toll-like receptor 7 agonists	Novartis AG	1-May-14	27-Feb-18	10-Sep-19
US10407405	Nuclear transport modulators and uses thereof	Karyopharm Therapeutics Inc.	21-Jun-13	17-Jul-17	10-Sep-19
US10406229	Methods and compositions related to inhibition of viral entry	UNIVERSITY OF UTAH RESEARCH FOUNDATION	28-Mar-11	2-Mar-17	10-Sep-19
US10406177	Modified cells and methods of therapy	Intima Bioscience, Inc.	31-Jul-15	29-Aug-16	10-Sep-19
US10406142	Hydrazino 1H-imidazoquinolin-4-amines and conjugates made therefrom	3M Innovative Properties Company	3-Jun-11	6-Mar-17	10-Sep-19
US10400274	Fluorogenic probes and their use in quantitative detection of target RNA sequences	Jan Biotech, Inc.	18-Jun-16	16-Jun-17	3-Sep-19
US10400225	TAL effector-mediated DNA modification	Iowa State University Research Foundation, Inc.	10-Dec-09	21-Aug-17	3-Sep-19
US10400024	Cleavage and exchange of major histocompatibility complex ligands employing azobenzene-containing peptides	SANQUIN REAGENTS B.V.	6-Jun-14	5-Jun-15	3-Sep-19
US10399963	Substituted benzofuranyl and benzoxazolyl compounds and uses thereof	Karyopharm Therapeutics Inc.	3-Jul-13	4-Dec-17	3-Sep-19
US10399941	Conjugates of cell binding molecules with cytotoxic agents	HANGZHOU DAC BIOTECH CO., LTD.	12-Jul-12	16-Apr-14	3-Sep-19
US10398795	Decontamination device and method using ultrasonic cavitation	TOMI ENVIRONMENTAL SOLUTIONS, INC.	29-Dec-17	29-Dec-17	3-Sep-19
US10393633	Sample fixation and stabilisation	RNASSIST LTD.	1-Mar-13	30-May-17	27-Aug-19
US10392613	Purification of nucleic acids using copper-titanium oxides	ABBOTT MOLECULAR INC.	14-Jul-15	13-Jul-16	27-Aug-19
US10391188	Decontamination device and method using ultrasonic cavitation	TOMI ENVIRONMENTAL SOLUTIONS, INC.	29-Dec-17	11-Sep-18	27-Aug-19
US10391167	Mucosal vaccine composition	NITTO DENKO CORPORATION	3-Oct-13	2-Oct-14	27-Aug-19
US10391160	Dimethyl fumarate and vaccination regimens	Biogen MA Inc.	14-Mar-14	13-Mar-15	27-Aug-19
US10385320	Recombinant adeno-associated virus capsids with enhanced human skeletal muscle tropism	The Board of Trustees of the Leland Stanford Junior University	2-Dec-15	2-Dec-16	20-Aug-19
US10385119	Compositions comprising AAV expressing dual antibody constructs and uses thereof	Trustees of the University of Pennsylvania	13-May-14	15-Oct-18	20-Aug-19
US10383938	Lipidated immune response modifier compound compositions, formulations, and methods	3M Innovative Properties Company	17-Aug-10	24-Jul-18	20-Aug-19
US10383935	Methods of making and using live attenuated viruses	Regents of the University of Minnesota	23-Sep-15	31-Oct-17	20-Aug-19
US10383852	Prevention and treatment of viral infections	Not Available	2-Jun-16	27-Nov-18	20-Aug-19
US10378008	Method and apparatus for automated processing of pooled samples	GFE BLUT MBH	6-Aug-14	5-Aug-15	13-Aug-19
US10378002	Replication conditional virus that specifically kills senescent cells	Kythera Biopharmaceuticals, Inc.	17-Apr-12	6-Jul-18	13-Aug-19
US10377773	Isothiazolopyrimidinones, pyrazolopyrimidinones, and pyrrolopyrimidinones as ubiquitin-specific protease 7 inhibitors	FORMA Therapeutics, Inc.	5-Feb-15	27-Feb-18	13-Aug-19
US10377767	Thienopyrimidinones as ubiquitin-specific protease 7 inhibitors	FORMA Therapeutics, Inc.	5-Feb-15	1-Mar-18	13-Aug-19

US10377760	Pyrrolo and pyrazolopyrimidines as ubiquitin-specific protease 7 inhibitors	FORMA Therapeutics, Inc.	30-Dec-14	18-Jan-18	13-Aug-19
US10370625	Cleaning composition, method of making and use thereof	DEVMAR PRODUCTS, LLC	8-Sep-16	6-Sep-17	6-Aug-19
US10370455	Identification of VSIG8 as the putative VISTA receptor (V-R) and use thereof to produce VISTA/VSIG8 agonists and antagonists	IMMUNEXT, INC.	5-Dec-14	7-Dec-15	6-Aug-19
US10370338	Benzazepine dicarboxamide compounds with tertiary amide function	Hoffmann-La Roche Inc.	23-May-16	13-Nov-18	6-Aug-19
US10369219	Composition for enhancing induction of humoral immunity, and vaccine pharmaceutical composition	NITTO DENKO CORPORATION	4-Aug-14	4-Aug-15	6-Aug-19
US10369216	Polymeric carrier cargo complex for use as an immunostimulating agent or as an adjuvant	CureVac AG	1-Apr-14	1-Apr-15	6-Aug-19
US10369205	Immunomodulatory compositions and methods of use thereof	Not Available	7-Jan-14	7-Jan-15	6-Aug-19
US10369204	Molecular vaccines for infectious disease	Dako Denmark A/S	2-Oct-08	2-Oct-09	6-Aug-19
US10363303	Microneedle compositions and methods of using same	VERNDARI, INC.	11-Jan-16	11-Jul-18	30-Jul-19
US10363282	Analogues of C5a and methods of using same	Board of Regents of The University of Nebraska	29-Jun-10	12-Jan-18	30-Jul-19
US10363247	(S,E)-3-(6-aminopyridin-3-yl)-N-((5-(4-(3-fluoro-3-methylpyrrolidine-1-carbonyl)phenyl-7-(4-fluorophenyl)benzofuran-2-yl)methyl)acrylamide for the treatment of cancer	Karyopharm Therapeutics Inc.	18-Aug-15	18-Aug-16	30-Jul-19
US10358481	Engineered antibody constant domain molecules	The United States of America, as represented by the Secretary, Department of Health and Human Services	31-Jan-08	2-Dec-16	23-Jul-19
US10357568	Adjuvant nanoemulsions with phospholipids	GLAXOSMITHKLINE BIOLOGICALS S.A.	24-Mar-11	23-Mar-12	23-Jul-19
US10357562	Immunoprotective primary mesenchymal stem cells and methods	Autoimmune Technologies, LLC	14-Mar-13	17-Jul-15	23-Jul-19
US10357510	Metal nanoclusters and uses thereof	THE REGENTS OF THE UNIVERSITY OF MICHIGAN	7-Aug-14	7-Aug-15	23-Jul-19
US10351571	Pyrrolotriazinones and imidazotriazinones as ubiquitin-specific protease 7 inhibitors	FORMA Therapeutics, Inc.	30-Dec-14	24-May-18	16-Jul-19
US10350255	Polygonum cuspidatum extracts	PhotoDynamic Inc.	1-Oct-15	30-Sep-16	16-Jul-19
US10344320	Capacitive liquid crystal biosensors	The Johns Hopkins University	6-May-15	5-May-16	9-Jul-19
US10344263	Synthetic membrane-receiver complexes	RUBIUS THERAPEUTICS, INC.	18-Nov-13	29-Mar-17	9-Jul-19
US10344261	Immunomodulatory conjugates	ASCEND BIOPHARMACEUTICALS LTD	9-Nov-11	9-Nov-12	9-Jul-19
US10344027	Compositions and methods for inhibiting kinases	Inhibikase Therapeutics, Inc.	23-Apr-15	24-Oct-18	9-Jul-19
US10342868	Methods and compositions for inhibiting Akt3	Augusta University Research Institute, Inc.	15-Jan-16	17-Jan-17	9-Jul-19
US10342825	Solution containing hypochlorous acid and methods of using same	Sonoma Pharmaceuticals, Inc.	15-Jun-09	15-Jun-10	9-Jul-19
US10336725	Chemical compounds	AstraZeneca AB	18-Mar-14	13-Dec-17	2-Jul-19
US10335484	Methods of generating robust passive and active immune responses	HUMABS BIOMED SA	8-Jan-13	8-Jan-14	2-Jul-19
US10335393	Nuclear transport modulators and uses thereof	Biogen MA Inc.	9-May-12	4-Dec-17	2-Jul-19
US10335372	Compositions with modified nucleases targeted to viral nucleic acids and methods of use for prevention and treatment of viral diseases	Jacob G. Appelbaum	14-Apr-04	10-Mar-17	2-Jul-19
US10329531	Synthetic membrane-receiver complexes	RUBIUS THERAPEUTICS, INC.	18-Nov-13	13-Oct-17	25-Jun-19



US10329329	Fusion proteins for promoting an immune response, nucleic acids encoding same, and methods of making and use thereof	UNIVERSITY OF MIAMI	7-Sep-12	28-Aug-18	25-Jun-19
US10328157	Acetylenedicarboxyl linkers and their uses in specific conjugation of a cell-binding molecule	HANGZHOU DAC BIOTECH CO., LTD.	15-Jul-15	3-Feb-17	25-Jun-19
US10323074	Cryptic polypeptides and uses thereof	BOARD OF TRUSTEES OF MICHIGAN STATE UNIVERSITY	29-Jan-15	12-Dec-17	18-Jun-19
US10322104	Disulfur bridge linkers for conjugation of a cell-binding molecule	HANGZHOU DAC BIOTECH CO., LTD.	15-Jul-15	5-Apr-17	18-Jun-19
US10316031	Compositions and methods for inhibiting kinases	Inhibikase Therapeutics, Inc.	23-Apr-15	24-Oct-18	11-Jun-19
US10314893	Oral delivery of angiotensin converting enzyme 2 (ACE2) or angiotensin-(1-7) bioencapsulated in plant cells attenuates pulmonary hypertension, cardiac dysfunction and development of autoimmune and experimental induced ocular disorders	The Trustees of the University of Pennsylvania	18-Oct-13	18-Apr-16	11-Jun-19
US10308913	Chimeric viruses presenting non-native surface proteins and uses thereof	Icahn School of Medicine at Mount Sinai	2-Dec-05	3-Mar-16	4-Jun-19
US10308705	Optimized human clotting factor VIII gene expression cassettes and their use	The University of North Carolina at Chapel Hill	6-Feb-15	5-Feb-16	4-Jun-19
US10308685	Inhibitory peptides of viral infection	UNIVERSITY OF TENNESSEE RESEARCH FOUNDATION	17-Jul-14	25-May-17	4-Jun-19
US10307475	Methods and compositions for immunization against virus	Academia Sinica	27-Mar-09	18-Feb-14	4-Jun-19
US10307472	Combination of vaccination and OX40 agonists	CureVac AG	12-Mar-14	12-Mar-14	4-Jun-19
US10307439	Substituted nucleosides, nucleotides and analogs thereof	Alios Biopharma, Inc.	24-Jun-14	2-Feb-17	4-Jun-19
US10307434	Nucleic acid prodrugs and methods of use thereof	WAVE LIFE SCIENCES LTD.	6-Jul-09	27-May-16	4-Jun-19
US10307391	Disulfur bridge linkers for conjugation of a cell-binding molecule	HANGZHOU DAC BIOTECH CO., LTD.	15-Jul-15	5-Apr-17	4-Jun-19
US10307374	Oil-in-water emulsions that contain nucleic acids	GLAXOSMITHKLINE BIOLOGICALS S.A.	6-Jul-11	24-Apr-17	4-Jun-19
US10301650	Adeno-associated virus (AAV) serotype 8 sequences, vectors containing same, and uses therefor	The Trustees of the University of Pennsylvania	17-Dec-01	1-May-17	28-May-19
US10301648	Method of increasing the function of an AAV vector	The Trustees of the University of Pennsylvania	7-Apr-05	18-Feb-15	28-May-19
US10301594	Synthetic membrane-receiver complexes	RUBIUS THERAPEUTICS, INC	18-Nov-13	19-Nov-18	28-May-19
US10301593	Synthetic membrane-receiver complexes	RUBIUS THERAPEUTICS, INC.	18-Nov-13	19-Mar-18	28-May-19
US10301377	Middle east respiratory syndrome coronavirus immunogens, antibodies, and their use	The United States of America, as Represented by the Secretary, Department of Health and Human Services	24-Feb-15	24-Feb-16	28-May-19
US10300149	Compositions for enhancing transport of molecules into cells	SAREPTA THERAPEUTICS, INC.	29-Apr-03	10-Jan-17	28-May-19
US10300145	Synthetic nanoparticles for delivery of immunomodulatory compounds	Massachusetts Institute of Technology	15-Jul-16	14-Jul-17	28-May-19
US10300127	Immune complex	The Rockefeller University	20-Mar-15	21-Mar-16	28-May-19
US10300124	Rodent hepadnavirus cores with reduced carrier-specific antigenicity	VLP BIOTECH, INC.	15-Mar-13	14-Mar-14	28-May-19
US10294534	Respiratory infection assay	THE SECRETARY OF STATE FOR HEALTH	9-Dec-11	10-Dec-12	21-May-19
US10294293	Human monoclonal antibody with specificity for dengue virus serotype 1 E protein and uses thereof	DSO National Laboratories	14-Dec-10	1-Jun-16	21-May-19
US10294280	Constrained proteins and uses therefor	Monash University	21-Jul-14	21-Jul-15	21-May-19
US10293060	Method for increasing expression of RNA-encoded proteins	CureVac AG	21-Aug-14	19-Feb-16	21-May-19
US10293055	Acetylenedicarboxyl linkers and their uses in specific conjugation of a cell-binding molecule	HANGZHOU DAC BIOTECH CO., LTD.	15-Jul-15	3-Mar-17	21-May-19

US10293039	Attenuated <i>Listeria monocytogenes</i> mutant as a vaccine vector for the delivery of exogenous antigens	Montana State University	7-Apr-14	7-Apr-15	21-May-19
US10292978	Specific Akt3 inhibitor and uses thereof	Augusta University Research Institute, Inc.	15-Jan-16	17-Jan-17	21-May-19
US10292961	Disulfur bridge linkers for conjugation of a cell-binding molecule	HANGZHOU DAC BIOTECH CO., LTD.	15-Jul-15	15-Jul-15	21-May-19
US10288601	Method of determining, identifying or isolating cell-penetrating peptides	Phylogica Limited	23-May-11	11-Dec-17	14-May-19
US10287576	Enzymatic encoding methods for efficient synthesis of large libraries	NUEVOLUTION A/S	1-Dec-05	12-Dec-16	14-May-19
US10287258	Certain (2S)-N-[(1S)-1-cyano-2-phenylethyl]-1,4-oxazepane-2-carboxamides as dipeptidyl peptidase 1 inhibitors	ASTRAZENECA AB	24-Jan-14	19-Sep-17	14-May-19
US10287253	Substituted pyrimidines containing acidic groups as TLR7 modulators	APROS THERAPEUTICS, INC.	5-Dec-16	4-Dec-17	14-May-19
US10286067	Composition for enhancing induction of humoral immunity, and vaccine pharmaceutical composition	NITTO DENKO CORPORATION	4-Aug-14	4-Aug-15	14-May-19
US10286056	Adjuvant nanoemulsions with crystallisation inhibitors	GLAXOSMITHKLINE BIOLOGICALS S.A.	27-Jan-11	27-Jan-12	14-May-19
US10280199	Coronavirus proteins and antigens	Phibro Animal Health Corporation	7-Feb-14	4-Aug-16	7-May-19
US10279029	Immunogenic compositions and uses thereof	BOARD OF REGENTS, THE UNIVERSITY OF TEXAS SYSTEM	25-Mar-15	27-Feb-18	7-May-19
US10279028	Compositions and methods for treating and preventing porcine reproductive and respiratory syndrome	Ohio State Innovation Foundation	24-Apr-12	14-Dec-17	7-May-19
US10279027	Transgenic Vero-CD4/CCR5 cell line	INTERNATIONAL AIDS VACCINE INITIATIVE	2-Oct-15	6-Apr-17	7-May-19
US10273454	Means and methods for influencing the stability of antibody producing cells	ACADEMISCH MEDISCH CENTRUM BIJ DE UNIVERSITEIT VAN AMSTERDAM	9-Dec-05	2-Jun-17	30-Apr-19
US10273290	Hydrocarbon double-stapled stabilized HIV-1 GP41 heptad repeat domain peptides	DANA-FARBER CANCER INSTITUTE, INC.	18-Jun-09	21-Sep-17	30-Apr-19
US10272150	Combination PIV3/hMPV RNA vaccines	ModernaTX, Inc.	22-Oct-15	20-Jul-18	30-Apr-19
US10272149	Modified bat influenza viruses and their uses	J. CRAIG VENTER INSTITUTE	5-Sep-14	4-Sep-15	30-Apr-19
US10266887	CRISPR effector system based diagnostics	MASSACHUSETTS INSTITUTE OF TECHNOLOGY	9-Dec-16	9-Mar-18	23-Apr-19
US10266886	CRISPR effector system based diagnostics	MASSACHUSETTS INSTITUTED OF TECHNOLOGY	9-Dec-16	9-Mar-18	23-Apr-19
US10266846	Adeno-associated virus (AAV) serotype 8 sequences, vectors containing same, and uses therefor	The Trustees of the University of Pennsylvania	17-Dec-01	20-Oct-16	23-Apr-19
US10266545	Coumarin derivative as antiviral agent, pharmaceutical composition thereof, its preparation and use	I-NOVA MEDICINSKA ISTRAZIVANJA D.O.O.	2-Feb-16	2-Feb-16	23-Apr-19
US10265417	Adeno-associated virus (AAV) clades, sequences, vectors containing same, and uses therefor	The Trustees of the University of Pennsylvania	30-Sep-03	3-Aug-16	23-Apr-19
US10265407	Modular nanodevices for smart adaptable vaccines	Yale University	15-Feb-07	10-Nov-14	23-Apr-19
US10265395	Adjuvant compositions and related methods	Not Available	24-Mar-15	23-Mar-17	23-Apr-19
US10265371	Methods and reagents for efficient and targeted delivery of therapeutic molecules to CXCR4 cells	CENTRO DE INVESTIGACION BIOMEDICA EN RED EN BIOINGENIERIA BIOMATERIALES Y NANOMEDICINA (CIBERBBN)	13-Jan-11	10-Jan-17	23-Apr-19
US10265291	Disulfur bridge linkers for conjugation of a cell-binding molecule	HANGZHOU DAC BIOTECH CO., LTD.	15-Jul-15	13-Feb-17	23-Apr-19
US10260071	CpG oligonucleotide analogs containing hydrophobic T analogs with enhanced immunostimulatory activity	COLEY PHARMACEUTICAL GMBH	27-Sep-06	27-May-16	16-Apr-19
US10259865	Anti-pneumococcal hyperimmune globulin for the treatment and prevention of pneumococcal infection	ADMA Biologics, Inc.	15-Mar-17	15-Mar-17	16-Apr-19
US10259848	Compositions and methods comprising hydrocarbon-stapled polypeptides	DANA-FARBER CANCER INSTITUTE, INC.	23-Jan-08	4-May-16	16-Apr-19

US10258655	Synergistic bacterial compositions and methods of production and use thereof	Seres Therapeutics, Inc.	25-Nov-13	25-Nov-14	16-Apr-19
US10254204	Membrane-assisted purification	Accelerate Diagnostics, Inc.	7-Mar-11	3-May-17	9-Apr-19
US10253353	Enhanced methods of ribonucleic acid hybridization	The Broad Institute, Inc.	6-Dec-13	5-Dec-14	9-Apr-19
US10253318	Methods and compositions for the treatment of cancer or other diseases	CITY OF HOPE	26-Jan-07	14-Jun-17	9-Apr-19
US10253296	Synthetic membrane-receiver complexes	RUBIUS THERAPEUTICS, INC.	18-Nov-13	28-Nov-17	9-Apr-19
US10253093	Human monoclonal antibodies against interleukin 8 (IL-8)	CORMORANT PHARMACEUTICALS AB	16-Dec-02	30-Apr-18	9-Apr-19
US10251904	Methods for treating arenaviridae and coronaviridae virus infections	GILEAD SCIENCES, INC.	16-Sep-15	16-Sep-16	9-Apr-19
US10247729	Media elaborated with newly synthesized antibodies (MENSA) and uses thereof	MICROBPLEX, INC.	5-May-14	5-May-15	2-Apr-19
US10246425	3,5-diamino-6-chloro-N-(N-(4-phenylbutyl)carbamimidoyl)pyrazine-2-carboxamide compounds	Parion Sciences, Inc.	17-Dec-12	29-Jun-17	2-Apr-19
US10238739	Manufacture of surfactant-containing compositions with enhanced stability	NOVARTIS AG	2-Dec-14	2-Dec-15	26-Mar-19
US10238733	Cationic oil-in-water emulsions	GLAXOSMITHKLINE BIOLOGICALS S.A.	6-Jul-10	11-Mar-16	26-Mar-19
US10238666	Pharmaceutical compositions and methods	Pop Test Oncology LLC	3-Aug-15	29-Nov-17	26-Mar-19
US10238633	Methods for treating pulmonary emphysema using substituted 2-Aza-bicyclo[2.2.1]heptane-3-carboxylic acid (benzyl-cyano-methyl)-amides inhibitors of Cathepsin C	Boehringer Ingelheim International GmbH	14-Mar-13	6-Jun-17	26-Mar-19
US10233429	Hand, foot, and mouth vaccines and methods of manufacture and use thereof	Takeda Vaccines, Inc.	7-Nov-14	27-Oct-17	19-Mar-19
US10233425	CD137 enrichment for efficient tumor infiltrating lymphocyte selection	The Trustees of the University of Pennsylvania	16-Sep-13	16-Sep-14	19-Mar-19
US10233237	Heterodimeric immunoglobulins	AMGEN INC.	21-Nov-12	21-Nov-13	19-Mar-19
US10233158	Arylalkyl- and aryloxyalkyl-substituted epithelial sodium channel blocking compounds	Parion Sciences, Inc.	13-Dec-13	4-Apr-18	19-Mar-19
US10232051	Acetylenedicarboxyl linkers and their uses in specific conjugation of a cell-binding molecule	HANGZHOU DAC BIOTECH CO., LTD.	15-Jul-15	3-Mar-17	19-Mar-19
US10227376	Radiolabeled cationic steroid antimicrobials and diagnostic methods	BRIGHAM YOUNG UNIVERSITY	22-Aug-14	19-Aug-15	12-Mar-19
US10227373	Enantiomers of the 1&C <sup>2</sup> ,6&C <sup>2</sup> -isomer of neplanocin A	Auburn University	4-Aug-14	17-May-17	12-Mar-19
US10226449	Heterocyclic modulators of lipid synthesis and combinations thereof	3-V Biosciences, Inc.	20-Dec-13	19-Dec-14	12-Mar-19
US10226434	Design, synthesis and methods of use of acyclic fleximer nucleoside analogues having anti-coronavirus activity	Katholieke Universiteit Leuven/Lieden University Medical Center, RC Leiden	30-Jan-15	2-Jul-18	12-Mar-19
US10222374	B-cell antigen presenting cell assay	University of Pittsburgh&CircumflexOf the Commonwealth System of Higher Education	8-Apr-10	9-Aug-17	5-Mar-19
US10221446	Signal propagation biomolecules, devices and methods	STC.UNM	21-May-13	3-Oct-16	5-Mar-19
US10220002	Controlled-release peptide compositions and uses thereof	BOARD OF REGENTS OF THE UNIVERSITY OF NEBRASKA	2-Dec-11	30-Nov-12	5-Mar-19
US10213383	Hydrophilic filtration during manufacture of vaccine adjuvants	NOVARTIS AG	3-Dec-09	3-Dec-10	26-Feb-19
US10209254	Chips, detection systems, and methods for multiplex pneumococcus serology	The UAB Research Foundation	9-Oct-13	9-Oct-14	19-Feb-19
US10209248	Multiplex immuno screening assay	Institut Pasteur	4-May-12	19-Jul-17	19-Feb-19
US10206994	RNA virus attenuation by alteration of mutational robustness and sequence space	INSTITUT PASTEUR	28-Jan-15	28-Jan-16	19-Feb-19

US10202640	Single cell analysis of T cells using high-throughput multiplex amplification and deep sequencing	The Board of Trustees of the Leland Stanford Junior University	7-May-14	30-Apr-15	12-Feb-19
US10202617	Expression cassette for efficient surface display of antigenic proteins	Temasek Life Sciences Laboratory Limited	8-Feb-11	8-Feb-12	12-Feb-19
US10202615	Mammalian genes involved in toxicity and infection	VANDERBILT UNIVERSITY	10-Dec-10	11-Dec-11	12-Feb-19
US10202578	Chicken cells for improved virus production	THE PIRBRIGHT INSTITUTE	5-Jun-13	3-Jun-14	12-Feb-19
US10202367	Heterocyclic compounds and methods of use thereof	The United States of America, as represented by the Secretary, Department of Health and Human Services	12-Jun-14	12-Jun-15	12-Feb-19
US10201198	Protective masks with coating comprising different electrospun fibers interweaved with each other, formulations forming the same, and method of producing thereof	Profit Royal Pharmaceutical Limited	23-Dec-14	10-Dec-15	12-Feb-19
US10190984	Systems and methods for analyzing a sample and for monitoring the performance of an optical signal detector	GEN-PROBE INCORPORATED	31-Dec-15	23-Dec-16	29-Jan-19
US10190137	CRISPR-related methods and compositions with governing gRNAs	Editas Medicine, Inc.	7-Nov-13	29-Nov-17	29-Jan-19
US10190132	Recombinant influenza virus-like particles (VLPs) produced in transgenic plants expressing hemagglutinin	MEDICAGO INC.	21-Jan-08	2-Sep-16	29-Jan-19
US10189822	Heterocyclic modulators of lipid synthesis	3-V Biosciences, Inc.	19-Mar-15	15-Mar-16	29-Jan-19
US10189820	Heterocyclic amides useful as protein modulators	GlaxoSmithKline Intellectual Property Development Limited	7-Apr-16	3-Jan-18	29-Jan-19
US10183074	Cationic oil-in-water emulsions	GLAXOSMITHKLINE BIOLOGICALS S.A.	6-Jul-11	23-Mar-17	22-Jan-19
US10179176	Recombinant adeno-associated virus capsids resistant to pre-existing human neutralizing antibodies	The Board of Trustees of the Leland Stanford Junior University	16-Feb-16	16-Feb-17	15-Jan-19
US10179143	Anti-viral azide containing compounds	Life Technologies Corporation	28-Jul-10	8-Aug-17	15-Jan-19
US10173987	Hydrazide containing nuclear transport modulators and uses thereof	Karyopharm Therapeutics Inc.	29-Jul-11	21-Jun-17	8-Jan-19
US10172830	Pyrazolone compounds having human neutrophil elastase inhibitory properties	Chiesi Farmaceutici S.p.A.	31-May-16	26-May-17	8-Jan-19
US10168336	Quinone methide analog signal amplification	Ventana Medical Systems, Inc.	24-Feb-14	24-Aug-16	1-Jan-19
US10167499	Luminophore-labeled molecules coupled with particles for microarray-based assays	CAPITALBIO TECHNOLOGY CORPORATION	5-Dec-13	2-Dec-14	1-Jan-19
US10167333	Neutralizing human monoclonal antibodies against hepatitis B virus surface antigen	Not Available	16-Jan-14	15-Jan-15	1-Jan-19
US10166283	Nucleic acid comprising or coding for a histone stem-loop and a poly(A) sequence or a polyadenylation signal for increasing the expression of an encoded pathogenic antigen	CureVac AG	15-Feb-12	21-Mar-17	1-Jan-19
US10166255	Intracellular genomic transplant and methods of therapy	INTIMA BIOSCIENCE, INC.	31-Jul-15	29-Jul-16	1-Jan-19
US10160796	Mast cell stabilizers for treatment of hypercytokinemia and viral infection	Emergo Therapeutics, Inc.	8-Sep-16	17-Nov-17	25-Dec-18
US10159731	Methods and compositions for inhibiting Akt3	Augusta University Research Institute, Inc.	15-Jan-16	20-Feb-18	25-Dec-18
US10159729	Antigen and method for production thereof	Sallpro Biotech AB	13-Sep-13	12-Sep-14	25-Dec-18
US10159672	Chemically and metabolically stable dipeptide possessing potent sodium channel blocker activity	PARION SCIENCES, INC.	27-Jun-11	15-Dec-17	25-Dec-18
US10156562	Assay for detecting Th1 and Th2 cell populations	AMGEN INC.	16-May-14	15-May-15	18-Dec-18
US10155980	Compositions and methods for detecting rare sequence variants	ACCURAGEN HOLDINGS LIMITED	15-Aug-16	1-Nov-17	18-Dec-18
US10155946	Particle-nucleic acid conjugates and therapeutic uses related thereto	Emory University	25-Jun-12	9-Oct-17	18-Dec-18
US10155932	Decreasing potential iatrogenic risks associated with influenza vaccines	Novartis AG	9-Sep-04	9-May-16	18-Dec-18

US10150768	Guanidine substituted imidazo[4,5-c] ring compounds	3M Innovative Properties Company	31-Aug-15	26-Aug-16	11-Dec-18
US10150743	Carboxylic acid compounds	Sumitomo Dainippon Pharma Co., Ltd.	18-May-12	11-May-16	11-Dec-18
US10149901	Influenza vaccines with reduced amounts of squalene	Seqirus UK Limited	10-Feb-09	27-Jan-16	11-Dec-18
US10149859	Nucleotide and nucleoside therapeutic compositions and uses related thereto	Emory University	11-Sep-13	10-Sep-14	11-Dec-18
US10149461	Immunocompromised ungulates	Revivicor, Inc.	27-Oct-08	23-Mar-15	11-Dec-18
US10144735	Immune response modifier compositions and methods	3M Innovative Properties Company	22-Dec-06	25-Jun-18	4-Dec-18
US10143709	Use of ASC and ASC-CM to treat ARDS, SARS, and MERS	Indiana University Research and Technology Corporation	6-May-14	6-May-15	4-Dec-18
US10143652	Methods for the preparation of liposomes	CuriRx Inc.	23-Sep-09	2-Aug-16	4-Dec-18
US10138461	Animal protein-free media for cultivation of cells	Baxalta Gmbh	29-Oct-04	22-Sep-17	27-Nov-18
US10138295	Compositions comprising AAV expressing dual antibody constructs and uses thereof	THE TRUSTEES OF THE UNIVERSITY OF PENNSYLVANIA	13-May-14	13-May-15	27-Nov-18
US10138276	Inhibition of TCR signaling with peptide variants	SIGNABLOK, Inc.	30-Sep-09	30-Sep-10	27-Nov-18
US10131709	Nucleic acid molecules encoding monoclonal antibodies specific for IL-22	ImmunoQure AG	28-Dec-11	7-Sep-16	20-Nov-18
US10131704	Middle east respiratory syndrome coronavirus neutralizing antibodies and methods of use thereof	DANA-FARBER CANCER INSTITUTE, INC.	25-Apr-14	27-Apr-15	20-Nov-18
US10131682	Hydrophilic linkers and their uses for conjugation of drugs to a cell binding molecules	HANGZHOU DAC BIOTECH CO., LTD.	24-Nov-12	24-Nov-12	20-Nov-18
US10130701	Coronavirus	THE PIRBRIGHT INSTITUTE	23-Jul-14	23-Jul-15	20-Nov-18
US10125112	Modulators of the relaxin receptor 1	THE FLORIDA INTERNATIONAL UNIVERSITY BOARD OF TRUSTEES	4-May-12	25-Aug-16	13-Nov-18
US10125092	Lipids and lipid compositions for the delivery of active agents	Novartis AG	5-Sep-14	4-Sep-15	13-Nov-18
US10124065	Lipids and lipid compositions for the delivery of active agents	Novartis AG	8-Mar-13	6-Mar-14	13-Nov-18
US10124048	Adenovirus vectors	Oxford University Innovation Limited	10-Apr-07	27-Apr-15	13-Nov-18
US10123518	Genetically modified non-human animals and methods of use thereof	Institute For Research In Biomedicine (IRB)	13-Apr-15	12-Apr-16	13-Nov-18
US10119967	Multiplex immuno screening assay	Institut Pasteur	4-May-12	3-May-13	6-Nov-18
US10119164	Capture primers and capture sequence linked solid supports for molecular diagnostic tests	IBIS BIOSCIENCES, INC.	31-Jul-09	15-Aug-16	6-Nov-18
US10118925	Imidazo[4,5-c] ring compounds containing substituted guanidine groups	3M Innovative Properties Company	31-Aug-15	26-Aug-16	6-Nov-18
US10118923	Compositions and methods for inhibiting kinases	Inhibikase Therapeutics, Inc.	23-Apr-15	7-Nov-17	6-Nov-18
US10117920	Combination of vaccination and inhibition of the PD-1 pathway	CureVac AG	22-Feb-13	7-Feb-18	6-Nov-18
US10114011	Antigen presenting cell assay	University of Pittsburgh of the Commonwealth System of Higher Education	8-Apr-10	20-Jul-17	30-Oct-18
US10106619	Virus vaccination and treatment methods with OX40 agonist compositions	La Jolla Institute for Allergy and Immunology	4-Oct-06	4-Oct-07	23-Oct-18
US10106551	Monothiol mucolytic agents	PARION SCIENCES, INC.	30-Jan-15	29-Jan-16	23-Oct-18
US10105426	Immunostimulatory combinations	TRUSTEES OF DARTMOUTH COLLEGE	30-Dec-02	10-Sep-15	23-Oct-18
US10078083	Detecting targets using mass tags and mass spectrometry	Ventana Medical Systems, Inc.	2-Jul-10	28-Dec-15	18-Sep-18

US10077427	Means and methods for influencing the stability of cells	ACADEMISCH MEDISCH CENTRUM BIJ DE UNIVERSITEIT VAN AMSTERDAM	26-Mar-15	26-Mar-15	18-Sep-18
US10076491	Vaccine composition	NITTO DENKO CORPORATION	5-Feb-13	29-Jan-14	18-Sep-18
US10072309	Methods for real-time multiplex isothermal detection and identification of bacterial, viral, and protozoan nucleic acids	Not Available	8-May-15	6-May-16	11-Sep-18
US10072064	Composition comprised of antigen linked to a TNF superfamily ligand	Not Available	15-Mar-13	16-Mar-14	11-Sep-18
US10072058	Chimeric virus-like particles incorporating fusion GPI anchored GM-CSF and IL-4 conjugates	Children's Healthcare of Atlanta, Inc.	29-Apr-15	29-Apr-16	11-Sep-18
US10071976	Small molecule fatty acid synthase inhibitors	SANFORD BURNHAM PREBYS MEDICAL DISCOVERY INSTITUTE	7-Mar-14	5-Mar-15	11-Sep-18
US10071970	Chloro-pyrazine carboxamide derivatives with epithelial sodium channel blocking activity	Parion Sciences, Inc.	17-Dec-12	7-Mar-17	11-Sep-18
US10071155	Nasal mucosal vaccine composition	NITTO DENKO CORPORATION	3-Oct-13	2-Oct-14	11-Sep-18
US10071154	Vaccines and immunotherapeutics using IL-28 and compositions and methods of using the same	THE TRUSTEES OF THE UNIVERSITY OF PENNSYLVANIA	4-Apr-08	6-Apr-09	11-Sep-18
US10071076	Methods of treating cancer and other disorders	Wake Forest University Health Sciences	12-Nov-10	27-Jun-16	11-Sep-18
US10066238	Methods for producing antibodies	UNIVERSITY OF LOUISVILLE RESEARCH FOUNDATION, INC.	11-Feb-13	11-Feb-14	4-Sep-18
US10066012	Human monoclonal antibodies against interleukin 8 (IL-8)	CORMORANT PHARMACEUTICALS AB	16-Dec-02	26-Apr-16	4-Sep-18
US10064934	Combination PIV3/hMPV RNA vaccines	ModernaTX, Inc.	22-Oct-15	11-Aug-17	4-Sep-18
US10064900	Methods of populating a gastrointestinal tract	Seres Therapeutics, Inc.	4-Feb-13	4-Feb-14	4-Sep-18
US10059769	Anti-PD-L1 antibodies and uses thereof	I-MAB	13-Jun-16	13-Jun-17	28-Aug-18
US10059741	Peptidomimetic macrocycles	Aileron Therapeutics, Inc.	1-Jul-15	1-Jul-16	28-Aug-18
US10059655	Lipids and lipid compositions for the delivery of active agents	Novartis AG	19-Dec-13	17-Dec-14	28-Aug-18
US10058624	Recombinant promoters and vectors for protein expression in liver and use thereof	Children's Healthcare of Atlanta, Inc.	16-Apr-15	15-Apr-16	28-Aug-18
US10058535	Nuclear transport modulators and uses thereof	Biogen MA Inc.	9-May-12	24-Jan-17	28-Aug-18
US10058516	Design, synthesis and methods of use of acyclic fleximer nucleoside analogues having anti-coronavirus activity	Katholieke Universiteit Leuven	30-Jan-15	28-Jan-16	28-Aug-18
US10055502	System and method for detecting, collecting, analyzing, and communicating event related information	Georgetown University	25-Feb-08	23-Sep-16	21-Aug-18
US10053728	High density self-contained biological analysis	BioFire Diagnostics, LLC	15-Nov-06	16-Jul-15	21-Aug-18
US10052398	Additive compositions for pigmented disinfection and methods thereof	Kinnos Inc.	8-Dec-14	23-May-15	21-Aug-18
US10052380	Lipidated immune response modifier compound compositions, formulations, and methods	3M Innovative Properties Company	17-Aug-10	27-Nov-17	21-Aug-18
US10047375	Artificial nucleic acid molecules	CureVac AG	30-Dec-14	28-Jun-16	14-Aug-18
US10047148	Neutralizing GP41 antibodies and their use	The United States of America, as represented by the Secretary, Department of Health and Human Services	7-Nov-11	8-Sep-17	14-Aug-18
US10047147	Neutralizing GP41 antibodies and their use	The United States of American, as represented by the Secretary, Department of Health and Human Services	7-Nov-11	4-Aug-14	14-Aug-18
US10046048	Homogenous suspension of immunopotentiating compounds and uses thereof	GLAXOSMITHKLINE BIOLOGICALS S.A.	15-Dec-09	5-Jul-16	14-Aug-18
US10040831	Compositions and methods for treating diseases by inhibiting exosome release	MOREHOUSE SCHOOL OF MEDICINE	19-Dec-16	19-Dec-16	7-Aug-18
US10040828	Human respiratory syncytial virus consensus antigens, nucleic acid constructs and vaccines made therefrom, and methods of using same	THE TRUSTEES OF THE UNIVERSITY OF PENNSYLVANIA	10-Apr-12	10-Apr-13	7-Aug-18

US10040820	Method for the purification of protein complexes	Immunobiology Limited	19-Jun-09	21-Jun-10	7-Aug-18
US10039781	Pulse inhalation of nitric oxide for treating respiratory diseases	AIT THERAPEUTICS, INC.	24-Mar-15	24-Mar-16	7-Aug-18
US10039758	Compositions and methods for inhibiting bacterial and viral pathogens	Keck Graduate Institute of Applied Life Sciences	24-Oct-14	23-Oct-15	7-Aug-18
US10034931	Use of EGFR pathway inhibitors to increase immune responses to antigens	Emory University	23-Sep-13	23-Sep-14	31-Jul-18
US10034894	Method of treating inflammation	CYTOSORBENTS CORPORATION	1-Apr-10	28-Jun-17	31-Jul-18
US10031134	Antibody-nanoparticle conjugates and methods for making and using such conjugates	Ventana Medical Systems, Inc.	27-Apr-10	12-Sep-16	24-Jul-18
US10030250	Edible vaccines expressed in soybeans	Not Available	12-Oct-04	25-Jan-10	24-Jul-18
US10030074	Methods of inducing or enhancing an immune response in a subject having cancer by administering GITR antibodies	GITR, Inc.	25-Mar-05	7-Nov-16	24-Jul-18
US10030053	Immunogenic compositions and methods of use thereof	Emory University	17-Dec-07	13-Feb-15	24-Jul-18
US10029016	Immunostimulatory compositions and methods of use thereof	Massachusetts Institute of Technology	5-Apr-12	2-Jul-15	24-Jul-18
US10028482	Disinfecting and deodorizing compositions and methods with novel polymeric binding system	OxiScience LLC	28-Aug-14	28-Aug-15	24-Jul-18
US10023845	Methods of making modified viral genomes	The Research Foundation for The State University of New York	30-Mar-07	7-Sep-16	17-Jul-18
US10023632	Antigenic GM-CSF peptides and antibodies to GM-CSF	Morphotek, Inc.	8-Feb-06	18-Jul-16	17-Jul-18
US10023558	Compounds	CHIESI FARMACEUTICI S.P.A.	31-May-16	22-Sep-17	17-Jul-18
US10022436	Microneedle compositions and methods of using same	VERNDARI, INC.	11-Jan-16	11-Jan-17	17-Jul-18
US10022435	Nucleic acid vaccines	ModernaTX, Inc.	23-Apr-14	1-Apr-16	17-Jul-18
US10022422	Peptidomimetic macrocycles	Alleron Therapeutics, Inc.	14-Jan-09	7-Apr-16	17-Jul-18
US10018369	Air curtain device	KAWANO GIKEN CO., LTD.	7-Aug-15	19-Nov-15	10-Jul-18
US10017784	Gene transfer into airway epithelial stem cell by using lentiviral vector pseudotyped with RNA virus or DNA virus spike protein	ID PHARMA CO., LTD.	28-Oct-05	17-Nov-14	10-Jul-18
US10016498	D-amino acid derivative-modified peptidoglycan and methods of use thereof	The Regents of the University of California	30-Nov-12	14-Sep-17	10-Jul-18
US10016497	MERS-CoV vaccine	INOVIO PHARMACEUTICALS, INC.	29-Nov-13	26-Nov-14	10-Jul-18
US10016455	Method of preventing or treating influenza with oxidative reductive potential water solution	Sonoma Pharmaceuticals, Inc.	30-Dec-03	9-May-17	10-Jul-18
US10013760	Stain-free histopathology by chemical imaging	BOARD OF TRUSTEES OF THE UNIVERSITY OF ILLINOIS	15-Mar-13	2-Aug-17	3-Jul-18
US10010718	Device to kill micro-organisms inside the respiratory tract	Not Available	1-Apr-16	28-Mar-17	3-Jul-18
US10010607	Method for preparing viral particles with cyclic dinucleotide and use of said particles for inducing immune response	INSERM (INSTITUT NATIONAL DE LA SANTE ET DE LA RECHERCHE MEDICALE)	16-Sep-14	16-Sep-15	3-Jul-18
US10006862	Continuous process for performing multiple nucleic acid amplification assays	GEN-PROBE INCORPORATED	10-Mar-05	19-May-17	26-Jun-18
US10005833	Methods of treating inflammation associated airway diseases and viral infections	THE BOARD OF REGENTS OF THE UNIVERSITY OF TEXAS SYSTEM	2-Jan-15	31-Dec-15	26-Jun-18
US10005772	Immune response modifier compositions and methods	3M Innovative Properties Company	22-Dec-06	20-Dec-07	26-Jun-18
US10004764	Red blood cell membrane-derived microparticles and their use for the treatment of lung disease	University of Pittsburgh of the Commonwealth System of Higher Education	7-Nov-13	6-Nov-14	26-Jun-18
US10004755	Therapeutic uses of selected pyrrolopyrimidine compounds with anti-mer tyrosine kinase activity	The University of North Carolina at Chapel Hill	11-Apr-14	30-Jan-17	26-Jun-18



USRE47838	Inhibitory peptides of viral infection	UNIVERSITY OF TENNESSEE RESEARCH FOUNDATION	17-Jul-14	30-Jan-18	4-Feb-20
USRE47636	Substituted spirocycles	Boehringer Ingelheim International GmbH	12-Sep-14	30-Nov-17	8-Oct-19
USRE47493	Substituted bicyclic dihydropyrimidinones and their use as inhibitors of neutrophil elastase activity	Boehringer Ingelheim International GmbH	20-Feb-14	26-Mar-18	9-Jul-19
USRE46906	Methods for producing vaccine adjuvants	NOVARTIS AG	3-Dec-09	13-Oct-15	26-Jun-18
USRE46873	Multi-targeted RNAi therapeutics for scarless wound healing of skin	Sirnaomics, Inc.	6-Nov-07	26-May-16	29-May-18
USRE46630	Substituted 4-pyridones and their use as inhibitors of neutrophil elastase activity	Boehringer Ingelheim International GmbH	23-Aug-12	18-Sep-15	12-Dec-17
USRE46441	Circulation of components during homogenization of emulsions	NOVARTIS AG	3-Dec-09	13-Oct-15	20-Jun-17
USH2284	Vaccines for protecting against influenza	Novartis AG	27-Apr-09	27-Apr-10	3-Sep-13
USH2283	Vaccines for protecting against influenza	Novartis AG	27-Apr-09	27-Apr-10	3-Sep-13
EP2517720A 1	Stabilized therapeutic small helical antiviral peptides	New York Blood Center, Inc.	2-Oct-07	31-Oct-12	31-Oct-12
EP2510946A 1	Conjugates of synthetic tlr agonists and uses therefor	The Regents of The University of California	7-Feb-08	17-Oct-12	17-Oct-12
EP2471938A 2	Recombinant polyvalent vaccine	National Institute of Biomedical Innovation	24-Nov-05	24-Nov-05	4-Jul-12
EP2471937A 2	Recombinant polyvalent vaccine	National Institute of Biomedical Innovation	24-Nov-05	24-Nov-05	4-Jul-12
EP2471936A 2	Recombinant polyvalent vaccine	National Institute of Biomedical Innovation	24-Nov-05	24-Nov-05	4-Jul-12
EP2471551A 2	Decreasing potential iatrogenic risks associated with influenza vaccines	Novartis Vaccines and Diagnostics GmbH	9-Sep-05	4-Jul-12	4-Jul-12
EP2167534B 1	BIOACTIVE PEPTIDES AND METHOD OF USING SAME	Compugen Ltd.	11-Jul-08	4-Jul-12	4-Jul-12
EP2121732B 1	COILED-COIL LIPOPEPTIDE HELICAL BUNDLES AND SYNTHETIC VIRUS-LIKE PARTICLES	Universität ZÃ¼rich Prorektorat Forschung	6-Dec-07	4-Jul-12	4-Jul-12

Please take a moment to recognize that not only is it irresponsible to take our public service workers, those who we depend on to keep us safe, out of the service workforce but also acknowledge that these public service arms be able to govern themselves based on existing policy. It's appalling to think it possible this board's vote could not only further weaken our law enforcement and firefighters numbers but also do so through the infringement of their right to choose their own medical care for whatever reason medical, religious, or personal belief. Please do not punish our last line of defense who have already sacrificed their lives for our benefit. Please allow those who are closest to the organizations and their leadership to choose how they manage. I have not paid my taxes so these pillars of our communities can be torn down in clear opposition to doing what is right and the intent of our state constitution. The harm done by voting to punish our service members and their leadership for maintaining their right to choose medical care is a dangerous precedent and does far more harm and does not provide any real additional safety in this pandemic.

**Item 80 .** and general public comment. Good Morning Chair Mitchell and Supervisors. My name is Jim Cunningham, I have been an atty for 35 years and I am an attorney with Los Angeles County Professional Peace Officers Association, and speak today in opposition to Item 80 and on behalf of their 9000 members who day in and day out work to protect the lives of our County's citizens and businesses. All parties agreed, and the BOS directed, that the County and the REO's were to engage in good faith bargaining over the impacts over the proposed ordinance and changes to the CSC rules. That simply has not happened. During such M&C ,issues such as the legality of the proposed ordinance as it applies to the County Charter the State constitution and POBR would be addressed. The Board in its report, the last time this matter was heard, noted that if this ordinance is passed it will immediately impact a significant portion of LASD personnel who are not currently registered with Fulgernt indicating their vaccination status. As such this attempt to pass an ordinance unilaterally impacting the terms and conditions of employment of PPOA's represented members is in direct violation of the Millias Myers Brown Act and POBR and I suspect will ultimately fail thereby causing significant labor unrest and costs to the County. We ask that this matter be continued until such time as good faith bargaining concludes.

This is totally unfair to people's right to make their own health decisions. The Director of the CDC Rachel Walensky, Dr. Anthony Fauci, and the WHO have all had to acknowledge that the vaccines cannot stop transmission. Both the vaccinated and unvaccinated carry similar viral loads.

Many billions of vaccines have been administered during the past thirty-two years, yet in just eight months, the COVID vaccines have injured and killed far more Americans than all other vaccines combined over three decades. The vaccines are so risky that the insurance industry has refused to underwrite them, and the manufacturers refuse to produce them without blanket immunity from liability.

I urge you to honor people's right to make their own decisions for their health, to consider that vaccines cannot prevent transmission, and to oppose this.

Thank you,  
Kathleen Gildred

See discussions, stats, and author profiles for this publication at: <https://www.researchgate.net/publication/224240247>

# Energy Consumption in Wired and Wireless Access Networks

Article in IEEE Communications Magazine · July 2011

DOI: 10.1109/MCOM.2011.5783987 · Source: IEEE Xplore

CITATIONS

162

READS

3,678

4 authors, including:



**Robert Ayre**

University of Melbourne

41 PUBLICATIONS 2,359 CITATIONS

[SEE PROFILE](#)



**Kerry Hinton**

University of Melbourne

127 PUBLICATIONS 3,684 CITATIONS

[SEE PROFILE](#)



**Rodney Stuart Tucker**

University of Melbourne

356 PUBLICATIONS 11,619 CITATIONS

[SEE PROFILE](#)

Some of the authors of this publication are also working on these related projects:



Energy modelling of access and core networks with a view to forecasting energy consumption trends. [View project](#)



Green Communications [View project](#)

# Energy Consumption in Wired and Wireless Access Networks

Jayant Baliga, University of Melbourne and National ICT Australia

Robert Ayre, Kerry Hinton, and Rodney S. Tucker, University of Melbourne

## ABSTRACT

Energy consumption is becoming an increasingly important issue throughout the community. For network operators in particular it is a concern as networks expand to deliver increasing traffic levels to increasing numbers of customers. The majority of the energy used by the Internet today is consumed in the access network, and this will continue to be the case for the short-to-mid-term future. Access technologies should thus be a prime focus for energy use mitigation. In this article, we present a detailed analysis of energy consumption in current and future access networks. We present the energy consumption of DSL, HFC networks, passive optical networks, fiber to the node, point-to-point optical systems, UMTS (W-CDMA), and WiMAX. Optical access networks are the most energy efficient of the available access technologies.

## INTRODUCTION

The Internet has revolutionized the way in which we seek and disseminate information, transact business, educate, and entertain. Traffic growth on the consumer Internet has been high and sustained, with growing numbers of Internet customers using increasingly sophisticated applications, and using them more often. The rollout of broadband access networks has both facilitated and been driven by these increasing demands. Service providers and network operators have invested heavily in deploying and upgrading these new access networks, investing as well in large data centers and expanding core network capacity. In general, these investment decisions have been driven by the traditional design metrics of capital cost, operational cost, and capacity requirements. Energy usage has always been considered, but in the context of operational cost rather than as an issue in its own right. In today's world, the traditional network design metrics alone are no longer sustainable, and energy needs to become one of the principal design parameters for future networks and equipment.

It has been estimated that the IT industry today is responsible for a total of 2 percent of the electrical energy consumed in a typical Orga-

nization for Economic Cooperation and Development (OECD) country [1]. Within this total, the energy used in the switching, transmission, and access networks delivering the consumer Internet today has been estimated to be approximately 0.5 percent of typical national consumption, with a rising trend as customer traffic levels increase [2, 3]. Moreover, in the short- to medium-term future, the majority of the total network energy will be consumed in the access network.

This article reviews the range of access network technologies that might be used as network operators move to deliver higher-speed customer access, with a special focus on energy usage as average customer data rates increase [4]. Wise technology choices for future access networks will be an important first step in helping our industry to meet its challenges in a more energy-constrained future [5]. We focus here on the energy consumption of digital subscriber line (DSL), hybrid fiber coaxial (HFC) networks, passive optical networks (PONs), fiber to the node (FTTN), point-to-point optical (PtP) systems, WiMAX, and Universal Mobile Telecommunications System (UMTS) using wideband code-division multiple access (W-CDMA). We find that optical access networks are the most energy efficient of the available access technologies.

## POWER CONSUMPTION MODEL

In this section we describe an energy model of the access network, and consider the energy consumption of a number of wired and wireless access technologies. There are several different access technologies in use today, and more are in development [4]. Figure 1 is a schematic diagram of the seven access network technologies we consider here. These technologies include DSL and HFC networks as well as a number of high-speed access technologies: PON, FTTN, PtP, WiMAX, and UMTS. In Fig. 1, thin lines indicate optical links while thick lines indicate copper links.

The energy consumption of each access network can be split into three components: the energy consumption in the customer premises equipment (i.e., the modem), the remote node

*This work was supported by the Australian Research Council and by Cisco Systems.*

or base station (base transceiver station, BTS), and the terminal unit (which is located in the local exchange/central office). The per-customer power consumption  $P_a$  of all seven access technologies in Fig. 1 can be expressed in the form

$$P_a = P_{CPE} + \frac{P_{RN}}{N_{RN}} + \frac{1.5P_{TU}}{N_{TU}}, \quad (1)$$

where  $P_{CPE}$ ,  $P_{RN}$ , and  $P_{TU}$  are the powers consumed by the customer premises equipment, remote node or base station (if there is one), and terminal unit, respectively.  $N_{RN}$  and  $N_{TU}$  are the number of customers or subscribers that share a remote node and the number of customers that share a terminal unit, respectively. The last term on the right side of Eq. 1 includes a factor of 1.5 to account for additional overheads such as external power supplies, electricity distribution losses, and cooling requirements in the building that houses the terminal equipment [6, 7]. The equipment in the remote node and at the customer premises is cooled naturally by the surrounding environment.

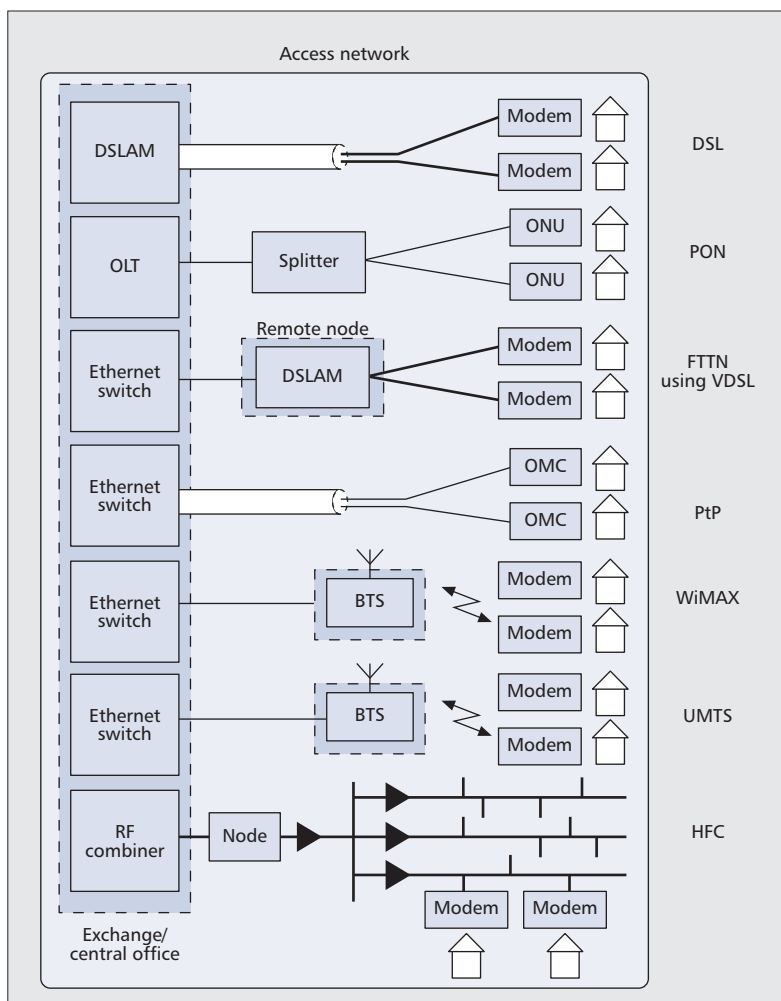
In this article, we estimate the energy consumption of a range of access technologies, based on representative data from manufacturers' data sheets for commercial equipment. Table 1 lists commercial equipment for each of the seven access networks. The equipment listed in Table 1 is not necessarily best in class for energy efficiency, but we believe it is representative of 2010-era access network equipment.

Table 2 lists representative values of the parameters in Eq. 1 for each of the access technologies considered here. The number of users per remote node and terminal unit for the two wireless technologies (WiMAX and UMTS) correspond to per-user capacities of 0.25 Mb/s. The number of users per remote node and terminal unit for the wired technologies correspond to configurations where the ports on the remote node equipment and terminal unit are fully occupied. In the following paragraphs we describe each access technology and explain the details of the parameters used in developing an energy model for each access technology.

### DIGITAL SUBSCRIBER LINE

DSL is provided through copper pairs originally installed to deliver a fixed-line telephone service [4]. A DSL modem at each customer home connects via a dedicated copper pair to a DSL access multiplexer (DSLAM) at the nearest central office (telephone exchange).

For the comparison presented here, we consider a modern ADSL2+ access service. This technology can in theory provide maximum speeds of 24 Mb/s downstream to a customer close to the central office and 1 Mb/s upstream. However, to account for the typical degradation in performance due to line length, line loss, crosstalk, and noise, we assume a maximum access rate of 15 Mb/s. We consider a typical DSLAM capable of serving 1008 customers, having a full-duplex switching capacity of 2 Gb/s, and consuming approximately 1.7 kW. The customer modem is modeled as consuming 5 W.



**Figure 1.** Schematic of network structure with access network options including digital subscriber line (DSL) and hybrid fiber coaxial (HFC) networks as well as a number of promising candidates for future high speed access technologies - passive optical network (PON), fiber to the node (FTTN), point-to-point optical (PtP), WiMAX and UMTS. Thin lines indicate optical links and thick lines indicate copper links.

### HYBRID FIBER COAXIAL NETWORK

Cable distribution networks were initially deployed to deliver television services, and today also deliver Internet and telephony services. Typically, the television program material is compiled from national and regional sources at a headend distribution center in each regional city. This material is distributed in radio frequency (RF) modulated optical carriers through optical fiber to local nodes, where the optical signal is converted into an electrical signal. That electrical signal is then distributed to customers through a tree network of coaxial cables, with electrical amplifiers placed as necessary in the network to maintain signal quality. Hence, these networks are commonly termed hybrid fiber coaxial networks.

The electrical signal sent toward the customer on the coaxial cable includes an array of modulated RF carriers representing the individual television channels, generally extending from either 50 or 65 MHz up to a frequency of 500–900 MHz, depending on the network. A reverse channel to the node or head-end is also provided in the band below 50 MHz. Broadband



Based on the neighborhood topology, the cable is branched, the signal re-amplified, and signals for individual customers tapped off along the route. We allow for four RF carriers to be assigned to convey data signals on each of these coaxial cable links, so that each cable tree supports a total of 152 Mb/s.

	Terminal unit	Remote node	Customer premises equipment
ADSL	Alcatel Stinger FS+	N/A	D-Link DSL502
HFC	Motorola GX2	Motorola SG4000 Quad Node Motorola BLE100 RF Amplifier	Motorola SB6120
PON	Hitachi 1220	N/A	Wave7 ONT-G1000i
FTTN	Hitachi 1220	NEC AM3160	NEC VF200F6
PtP	Cisco 4503	N/A	TC Communications TC3300
WiMAX	Cisco 4503	Motorola WAP 450 Series	Alvarion BreezeMAX USB 200 Zyxel MAX-200M1
UMTS	Cisco 4503	Motorola Horizon 3G-nx	Sierra Wireless AirCard USB 306

**Table 1.** Representative equipment used in model of access networks.

	$P_{TU}$ (kW)	$N_{TU}$	$P_{RN}$ (W)	$N_{RN}$	$P_{CPE}$ (W)	Technology limit	Per-user capacity
ADSL	1.7	1008	N/A	N/A	5	15 Mb/s	2 Mb/s
HFC	0.62	480	571	120	6.5	100 Mb/s	0.3 Mb/s
PON	1.34	1024	0	32	5	2.4 Gb/s	16 Mb/s
FTTN	0.47	1792	47	16	10	50 Mb/s	2 Mb/s
PtP	0.47	110	N/A	N/A	4	1 Gb/s	55 Mb/s
WiMAX	0.47	24400	1330	420	5	22 Mb/s	0.25 Mb/s
UMTS	0.47	15300	1500	264	2	20 Mb/s	0.25 Mb/s

**Table 2.** Values of access network parameters used.

Internet access is provided by using one or more of the downstream RF channels to deliver high-speed data, and one or more of the low-frequency reverse channels to send data from the customer into the network (upstream).

Each television customer has a set-top box, which demodulates the incoming signal for display on a television receiver. The data/Internet customer has a cable modem connected to his/her computer or network.

The topology of an HFC network is illustrated in more detail in Fig. 2. As before, thin lines indicate optical links while thick lines indicate copper links. In our model for Internet access via a HFC network, we include:

- “Head-end” equipment, where video RF carriers are combined in a broadband network platform (BNP) with data-supporting RF carriers onto transmission fibers
- Field-deployed node equipment, which converts the optical signals into electrical signals suitable for cable distribution
- A network of electrical RF amplifiers and splitters, so that each node can support a number of customers spread over many streets

- In each customer’s premises, a cable modem; Universal Broadband Routers (UBRs) are an essential part of the HFC data network, but in this analysis we focus on the energy consumption of the access network and do not include the energy consumption of UBRs in our calculations.

We model the network using current DOCSIS-based equipment, employing 6 MHz RF channels and 256-quadrature amplitude modulation (QAM) to deliver 38 Mb/s per RF channel. Each node in the cable network receives four sets of RF data carriers on separate fibers and the video program carriers on another fiber. These data carriers are combined with video program carriers and distributed on four lines of coaxial cables. Based on the neighborhood topology, the cable is branched, the signal re-amplified, and signals for individual customers tapped off along the route. We allow for four RF carriers to be assigned to convey data signals on each of these coaxial cable links, so each cable tree supports a total of 152 Mb/s.

In the final distribution network link, we allow 15 customers to be served from a single electrical line amplifier. When the offered

capacity per customer is low, the coaxial cable distribution network requires few nodes to support many customers and is highly branched; in such cases we allow one trunk amplifier to support up to eight line amplifiers. Each node requires at least one video and one data port on the BNP that combines the RF signals, and a number of RF data channels from the UBR. When modeling high data loads with low oversubscription, several UBRs may be required in a city.

The BNP consumes 620 W, while serving up to four nodes. The number of customers served by a node depends on the number of RF carriers available for data, in both downstream and upstream directions, and the per-customer traffic level. A quad node consumes 256 W; the trunk and line amplifiers each consume 35 W. In Table 2 the power consumption of the HFC remote node includes the power consumption of the node, trunk amplifier, and necessary electrical amplifiers in a typical installation.

The RF amplifiers, nodes, and head-end RF combining equipment in the HFC network are shared between data and broadcast television services; thus, the energy consumption of this equipment should be shared between the services. On the basis of the subscriber numbers for each service in one provider's network, we allocate 40 percent of energy consumption of this equipment to supporting Internet access.

We have dimensioned the network on the basis of downstream capacity delivered to customers. There are, however, many instances where the upstream capacity of the reverse channels may be limited by high ambient RF noise levels, and this limits the number of customers that can be served from a node and cable network tree. Thus, in assuming a network limited by download capacity, we offer a conservative (i.e., lower) power consumption estimate.

### PASSIVE OPTICAL NETWORK (PON)

Fiber to the premises installations most commonly use a PON technology, in which a single fiber from the network node feeds one or more clusters of customers through a passive splitter [4]. An optical line terminal (OLT) is located at the central office, and serves a number of access modems or optical network units (ONUs) located at each customer premises. Each customer ONU in a cluster connects via a fiber to the splitter, and from there shares the same fiber connection to the OLT. ONUs communicate with the OLT in a time multiplexed order, with the OLT assigning time slots to each ONU based on its relative demand.

The number of customers that share a connection to an OLT is generally 32 or 64. For the network energy model, we consider a gigabit PON (GPON) access network, providing asymmetric 2.4 Gb/s downstream, 1.2 Gb/s upstream from the ONU to the OLT and 32 customers sharing a connection to an OLT. The OLT equipment shelf is capable of supporting 32 GPON lines (1024 customers), has a backhaul capacity of 16 Gb/s, and draws 1.34 kW. The splitter is unpowered. The ONU is a basic model providing only data connectivity, and draws 5 W.

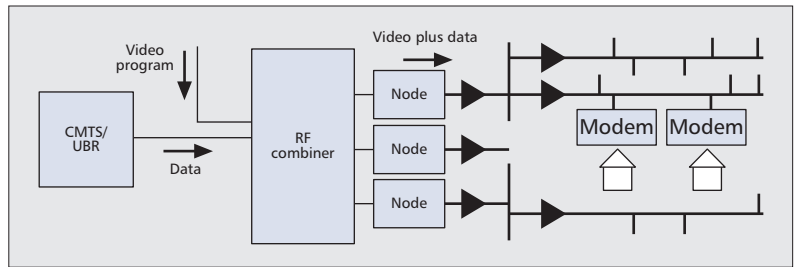


Figure 2. Layout of an HFC network.

### FIBER TO THE NODE USING VDSL

Fiber-to-the-node (FTTN) technology makes use of existing copper pairs [4]. Dedicated fiber is provided from a network switch to a DSLAM in a street cabinet close to a cluster of customers, and high-speed copper pair cable technologies such as very-high-speed DSL (VDSL) or ADSL2+ are used for the final feed to the customer premises. This accommodates the distance limitations of high-speed pair-cable technologies, and enables high-speed broadband service delivery without the cost of providing new cable entry to the customer premises.

In an FTTN network using VDSL, a remote node houses a VDSL DSLAM which communicates with several homes through the copper wire and connects back to an Ethernet switch in the central office/local exchange through a fiber link. A typical VDSL2 line card supports 16 customers and consumes approximately 42 W. An additional 5 W is consumed for an ONU to link the remote VDSL DSLAM to an OLT back in the central office. The VDSL2 customer modem consumes 10 W and has a peak access rate of 50 Mb/s. The Ethernet switch has 116 optical Gigabit Ethernet ports and 64 Gb/s of switching capacity, with a power consumption of 474 W. For the model, we dimension the fiber backhaul capacity to suit the customer traffic level, but set upper limits on number of customers per Ethernet switch at 1792, and the maximum number of DSLAMs per Ethernet switch at 112. The four remaining ports on the Ethernet switch are used to provide backhaul capacity.

### POINT-TO-POINT ACCESS OPTICAL NETWORK

The highest access speed is achieved using a dedicated fiber between each customer premises and the network terminal unit in a PtP configuration [4]. The customer premises employs an optical media converter (OMC) to convert between the electrical signal used inside the home and the optical signal used in the access network.

For typical central office equipment we consider an Ethernet switch providing 116 optical Gigabit Ethernet ports and 64 Gb/s of switching capacity, with a power consumption of 474 W. An OMC at each home converts between the electrical signal used in the home network to an optical signal for transmission over fiber, and consumes 4 W. In this architecture there is no remote node. Each Ethernet switch connects to 110 homes, with the six remaining ports used to provide backhaul capacity.

Although the over-subscription rate applied by network providers is typically much higher for wireless access networks than for wired access networks, to facilitate a fair comparison we model the same across all access networks.

## WiMAX

WiMAX is a high-speed wireless access technology. WiMAX was initially designed to provide fixed-point or nomadic wireless access services, but its design standards have since been amended to support full mobility. In our model, we focus on the use of WiMAX in a stationary setting, where each home uses an indoor modem to connect to a base station. The WiMAX base station is remotely located and uses fiber or point-to-point wireless backhauls to connect to the metropolitan and edge network. The area covered by a base station is referred to as a cell, and users in a cell share the total available bandwidth. Per-user bandwidth can be significantly increased by creating multiple sectors in a cell through the use of directional antennas. In a three-sector configuration, each antenna covers a 120° sector.

WiMAX provides access rates of up to 70 Mb/s under ideal conditions. However, typically in urban areas there is not a clear line of sight between the user and the base station, and the combination of reduced signal level and multipath interference limits access speeds to about 35 Mb/s at distances up to about 7 km, with degraded speeds at higher distances.

For the comparison in this article, we model the base station at the remote antenna site as using a point-to-point fiber link to communicate to an upstream Ethernet switch. For the base station we assume a dual-antenna multiple-input multiple-output (MIMO) system with three sectors and mast-mounted power amplifiers. Each sector is modeled as providing 35 Mb/s in total to all users in the sector, and the total base station consumption is 1330 W. The fixed point indoor customer premises unit may be a stand-alone modem or a USB key style modem. Stand-alone modems typically achieve higher throughputs than USB modems but also consume more power. We model the home modem as consuming an average of 5 W to account for the diversity of possible devices in a given coverage area.

At low average per-user traffic levels, all users within a cell coverage area will receive adequate service, subject to propagation conditions. At higher average per-user traffic levels, fewer users could be adequately served by each base station sector, and either more sectors or more base stations would be needed. This leads to a rapid increase in the equipment power consumption at higher traffic levels.

## UMTS

UMTS is a cellular mobile system that can provide high-speed broadband access capability. It includes radio access to a base station, and from there connections to the core networks for data and voice. For this model we adopt the more commonly used W-CDMA variant, and focus on the broadband data access component of the network. Users may connect to a base station through their mobile phone, USB modem, or standalone modem. The base station is often located remote from its network access controller, and uses fiber or point-to-

point wireless backhaul to connect to the controller. Through the radio network controller a mobile user can connect to other mobile phones, the public switched telephone network, or the Internet. As with WiMAX, capacity can be greatly increased through the use of multiple sectors.

The spectral efficiency of UMTS was greatly increased through the introduction of high-speed downlink packet access (HSDPA), high-speed uplink packet access (HSUPA), and, most recently, evolved high-speed packet access (HSPA+). HSPA+ allows for theoretical downlink speeds of 42 Mb/s and uplink speeds of 11 Mb/s. However, typically interference in urban areas limits downlink speeds to about 30 Mb/s and uplink speeds to about 6 Mb/s. For our energy consumption model, the base station connects via Ethernet to an upstream switch, and from there to the radio network controller. A typical outdoor base station consumes 1.5 kW and supports three sectors. Each sector has an average downlink throughput of 22 Mb/s. The user modem is a USB modem that consumes less than 2 W.

## OVERSUBSCRIPTION

We characterize the capacity available to each customer by the headline access rate advertised and sold to customers by the Internet service provider (ISP). However, backhaul networks connecting the access network to the metropolitan and edge networks are dimensioned by network operators to provide some lower worst-case minimum transmission rate to every customer, taking advantage of the bursty nature of customer Internet traffic. The ratio of the advertised access rate to this minimum per-user rate is referred to as the oversubscription rate. Although the oversubscription rate applied by network providers is typically much higher for wireless access networks than for wired access networks, to facilitate a fair comparison we model the same across all access networks. Note that as the use of the consumer Internet for streaming real-time services increases, high oversubscription ratios will become unsustainable.

We model each access network in terms of a headline access rate of  $A$  Mb/s per customer and an oversubscription rate  $M$ . During the busiest period of the day, the minimum capacity available to a customer is  $A/M$ , the per-user capacity. Statistical multiplexing typically occurs at the DSLAM in ADSL, at the OLT in PON and FTTN, at the UBR in HFC, at the small Ethernet switch in the case of PtP, and at the base station switch for WiMAX and UMTS.

## MARKET SHARE AND TAKE-UP RATE

In many markets, customers choose from a range of Internet access options; for example, customers may be able to choose between DSL, HFC and UMTS network providers. A network provider, when building an access network, estimates the percentage of households that will buy the service in the short to medium term, referred to as the take-up rate, but will also

install additional capacity to cater for future growth in take-up.

In markets with regulated competitive access to infrastructure such as pair cable, a similar but slightly different parameter is market share. Competing ISPs commonly install DSL equipment in the same area, and customers can purchase services from a number of infrastructure-based ISPs, each of which has slightly overprovisioned to cater for future growth.

We combine these factors into one parameter and refer to it as underutilization. The power consumption of current networking equipment does not typically scale with utilization [8]; therefore, underutilization decreases the energy efficiency of equipment. To accommodate underutilization, we increase the power consumption of all access network equipment, except the customer premises equipment, by 25 percent. This increase in power consumption corresponds to network equipment utilization of 80 percent.

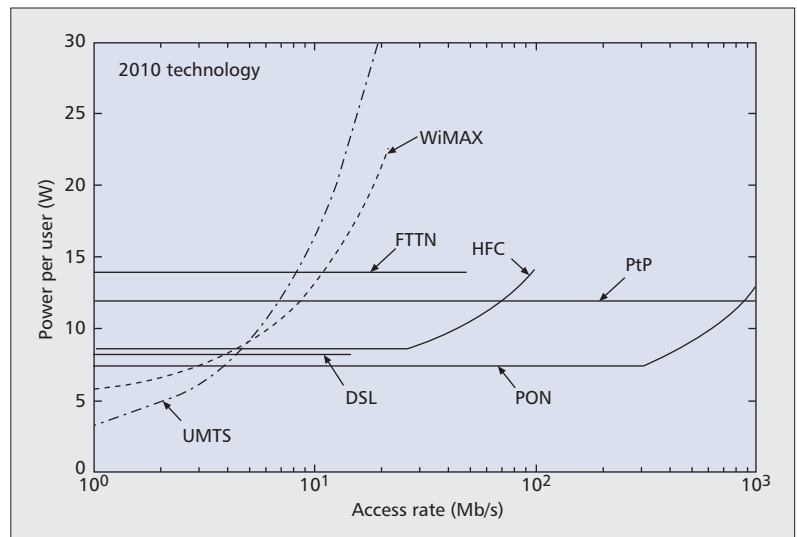
## ENERGY CONSUMPTION

We use the model described earlier to calculate the total per-customer power consumption for typical deployments of each of the seven access networks illustrated in Fig. 1. We also use the model to project the future energy consumption of these access networks. The power consumption of each of the access networks has been calculated for a range of “headline” access service rates, with a constant oversubscription factor of 20. That oversubscription figure is low in situations where customers predominantly use traditional web services such as email and browsing, but could be considered high for future scenarios which include mass use of real-time video on demand services.

For wired access technologies such as ADSL and VDSL, we assume that all customer access ports are fully occupied. For technologies with a shared access resource such as HFC, wireless, and PON, we again assume that all physical ports are utilized, but in addition we share the resource among as many customers as could be served at the particular average service rate and oversubscription factor. As service rates increase, fewer customers can be served, and more equipment (base stations, HFC nodes, PON linecards, etc.) must be provisioned, with an increase in the per-customer power consumption.

### POWER CONSUMPTION PER USER

Figure 3 is a plot of the per-customer power consumption of each access technology as a function of the headline access rate. Note here that this access rate is the provisioned per-user capacity multiplied by the oversubscription rate. The technology used in Fig. 3 for all access rates is the 2010-era technology described earlier. From Fig. 3, it is clear that at low access rates (< 1 Mb/s) PON, DSL, and HFC have similar power consumption. At such rates, the overall power consumption is dominated by the consumption of the customer modem. In addition, the power consumption of current networking equipment does not typically scale with utiliza-



**Figure 3.** Power consumption of DSL, HFC, PON, FTTN, PtP, WiMAX, and UMTS as a function of access rate with an oversubscription rate of 20. The technology used is fixed at 2010 vintage for all access rates.

tion [8], resulting in very low efficiencies at low utilization. At an access rate of 1 Mb/s, all five wired access technologies are significantly underutilized. At these low rates, WiMAX and UMTS can flexibly share capacity among a very large number of users, and thus can achieve high efficiency and utilization. Increasing the access rate from 1 to 10 Mb/s increases the power consumption of WiMAX and UMTS by a factor of two and four, respectively, as fewer customers can use a given radio channel or base station and more resources must be provisioned to deliver the service. The power consumption of HFC services increases at a slower rate. At access rates greater than 10 Mb/s, wired access technologies are significantly more energy-efficient than wireless access technologies. HFC, DSL, and FTTN all reach technology limits in the 10–100 Mb/s range. For average service rates of a few to tens of megabits per second envisaged for mass customized streaming services such as high-definition video on demand, the PON has a clear energy advantage.

### COMPARISON OF POWER CONSUMPTION IN THE HOME AND THE NETWORK

In ADSL, HFC, PON, and FTTN the customer modem or ONU consumes over 65 percent of the total power in the access network. These units would normally operate continuously, but the power consumption of the access network could be significantly reduced through the use of automated sleep modes in customer premises network equipment [9]. Assuming the Internet is used on average 8 h/day, automated sleep modes in customer premises equipment could reduce the energy consumption of the access network by up to 40 percent. Additional savings in power consumption could be realized by fast/micro sleep modes, where customer premises equipment enters a sleep mode during periods of inactivity that are shorter than a second.



	Electronics	Optical interfaces	Power amplifiers	Power conversion
Modem (DSL/HFC)	70%	0%	10%	20%
RF amplifiers	0%	0%	80%	20%
Node (HFC)	0%	20%	60%	20%
BNP	20%	60%	0%	20%
ONU	70%	10%	0%	20%
OMC	50%	30%	0%	20%
Modem (WiMAX/UMTS)	60%	0%	40%	0%
BTS (WiMAX)	69%	0%	11%	20%
BTS (UMTS)	53%	0%	27%	20%

**Table 3.** Breakdown of power consumption.

### IMPROVEMENT IN ENERGY EFFICIENCY WITH TIME

Improvements in complementary metal oxide semiconductor (CMOS) and optical technology should lead to energy efficiency improvements in future generations of network equipment. For example, the energy efficiency improvement rate of Ethernet switches and OLTs is approximately 10 percent per annum [2, 10]. In this section we estimate the overall rate of improvement of each access network technology over time. To estimate this improvement rate we first break down the total power consumption of each item of network equipment into four subsystems: electronic, optical, power amplification, and AC/DC power conversion. We then apply standard estimates of improvement rates (given below) to these subsystems. We calculate the rate of improvement of each item of network equipment as the sum of the improvement rates of its subsystems, weighted by the proportion of total power consumed by that subsystem. This technique of estimating improvement rates is similar to the analysis performed in [10]. Table 3 lists estimates of the breakdown of total power consumption of each item of network equipment into these four subsystems. The per-annum “business as usual” improvement rates for these subsystems are:

- Electronics (26 percent)
- Optical interfaces (5 percent)
- Power conversion (0 percent)
- Power amplifiers (0 percent)

Figure 4 is a plot of the per-customer power consumption for each access technology as a function of time (bottom horizontal axis) and access rate (top horizontal axis). This plot is one scenario for future power consumption of each of the seven access network technologies, using the established “business as usual” efficiency improvement trends outlined in the previous paragraph. For this plot, the access rate is set at 5 Mb/s in 2010 and increases by 42 percent per

annum (double every two years), reaching 167 Mb/s in 2020. As before, the oversubscription rate is 20. Although some ISPs today advertise access rates of 100 Mb/s or more, the oversubscription rate used in those networks is typically much greater than 20. The power consumption curves for DSL, HFC, and FTTN cease prior to 2020 because we believe these technologies have a limited ability to scale and meet future increases in bandwidth requirements.

As shown in Fig. 4, we forecast that, if electronics and optics continue to improve at current rates, a lack of improvement in power amplifiers and power conversion subsystems will result in an overall diminishing rate of improvement in all access technologies. The power consumption of HFC and UMTS falls by only 50 percent because the majority of power consumption in these access networks is in power amplifiers, which have limited scope to improve in the future. The results in Fig. 4 suggest that the per-user power consumption of most high-speed access technologies (PON, PtP, FTTN, and WiMAX) should fall by around 70 percent from 2010 to 2020. Wireless technologies will continue to consume at least 10 times more power than wired technologies when providing comparable access rates and traffic volumes. PON will continue to be the most energy-efficient access technology.

### CONCLUSION

We have presented a model of energy consumption of current and future access networks using published specifications of representative commercial equipment. We analyzed the energy consumption of DSL, HFC, PONs, FTTN, point-to-point optical systems, UMTS (W-CDMA), and WiMAX. Passive optical networks and point-to-point optical networks are the most energy-efficient access solutions at high access rates.

### ACKNOWLEDGEMENT

The authors gratefully acknowledge the valuable discussions with B. Gathercole of the University of Melbourne and thank him for his assistance with assembling the data for the energy consumption of wireless networks.

### REFERENCES

- [1] M. Webb *et al.*, “Smart 2020: Enabling the Low Carbon Economy in the Information Age,” London, 2008.
- [2] J. Baliga *et al.*, “Energy Consumption in Optical IP Networks,” *J. Lightwave Tech.*, vol. 27, no. 13, July 2009, pp. 2391–403.
- [3] R. S. Tucker *et al.*, “Evolution of WDM Optical IP Networks: A Cost and Energy Perspective,” *J. Lightwave Tech.*, vol. 27, no. 3, Feb. 2009, pp. 243–52.
- [4] P. Chanclou *et al.*, “Overview of the Optical Broadband Access Evolution: A Joint Article by Operators in the IST Network of Excellence E-Photon/One,” *IEEE Commun. Mag.*, vol. 44, Aug. 2006, pp. 29–35.
- [5] J. Baliga *et al.*, “Energy Consumption in Access Networks,” *Opt. Fiber Commun./National Fiber Optic Engineers Conf. (OFC)/NFOEC*, San Diego, CA, Feb. 2008.
- [6] U.S. Environmental Protection Agency, EPA Report on Server and Data Center Energy Efficiency, Aug. 2007.
- [7] J. Koomey *et al.*, “Network Electricity Use Associated with Wireless Personal Digital Assistants,” *ASCE J. Infrastructure Systems*, vol. 10, Aug. 2004, pp. 131–37.
- [8] L. Ceuppens, “Planning for Energy Efficiency — Networking in Numbers,” *OFC/NFOEC*, San Diego, CA, Mar. 2009.

- [9] M. Gupta, S. Grover, and S. Singh, "A Feasibility Study for Power Management in LAN Switches," *Int'l. Conf. Network Protocols*, Oct. 2004, pp. 361–71.
- [10] O. Tamm, C. Hermsmeyer, and A. M. Rush, "Eco-Sustainable System and Network Architectures for Future Transport Networks," *Bell Labs Tech. J.*, vol. 14, no. 4, Feb. 2010, pp. 311–27.

## BIOGRAPHIES

JAYANT BALIGA (jbaliga@ee.unimelb.edu.au) received his B.Sc. degree in computer science and B.E. degree in electrical and electronic engineering (with first class honors) in 2007 from the University of Melbourne, Australia. He is currently working toward a Ph.D. degree in electrical engineering at the same university. His research interests include energy consumption, optical network architectures, and wireless communications.

ROBERT W. A. AYRE received his B.Sc. degree in electronic engineering from George Washington University, Washington, DC, in 1967, and B.E. and M.Eng.Sc. degrees from Monash University, Melbourne, Australia, in 1970 and 1972, respectively. In 1972 he joined the Research Laboratories of Telstra Corporation, working in a number of roles primarily in the areas of optical transmission for core and access networks, and in broadband networking. In 2007 he joined the ARC Special Centre for Ultra-Broadband Networks (CUBIN) at the University of Melbourne, continuing work on networking and high-speed optical technologies.

KERRY HINTON received an Honors Bachelor of Engineering in 1978, an Honors Bachelor of Science in 1980, and a Master of Science degree in mathematical sciences in 1982, all from the University of Adelaide. He was awarded a Ph.D. in theoretical physics from the University of Newcastle Upon Tyne, United Kingdom, and a Diploma in industrial relations from the Newcastle Upon Tyne Polytechnic in 1984. In the same year he joined Telstra Research Laboratories (TRL), Victoria, Australia, and worked on analytical and numerical modeling of optical systems and components. His work has focused on optical communications devices and architectures, physical layer issues for automatically switched optical networks (ASONs), and monitoring in all-optical networks. He was also a laser safety expert within Telstra. In 2006 he joined the ARC Special Centre for Ultra-Broadband Information Networks, Australia, at the University of Melbourne, where he is undertaking research into the energy efficiency of the Internet and optical communications technologies.

RODNEY S. TUCKER [S'72, M'75, SM'85, F'90] received his B.E. degree in electrical engineering and Ph.D. degree from the University of Melbourne, Victoria, Australia, in 1969 and 1975, respectively. He is currently a Laureate Professor at the University of Melbourne, where he is director of the Institute for a Broadband-Enabled Society and the Centre for Energy-Efficient Telecommunications. He is a Fellow of

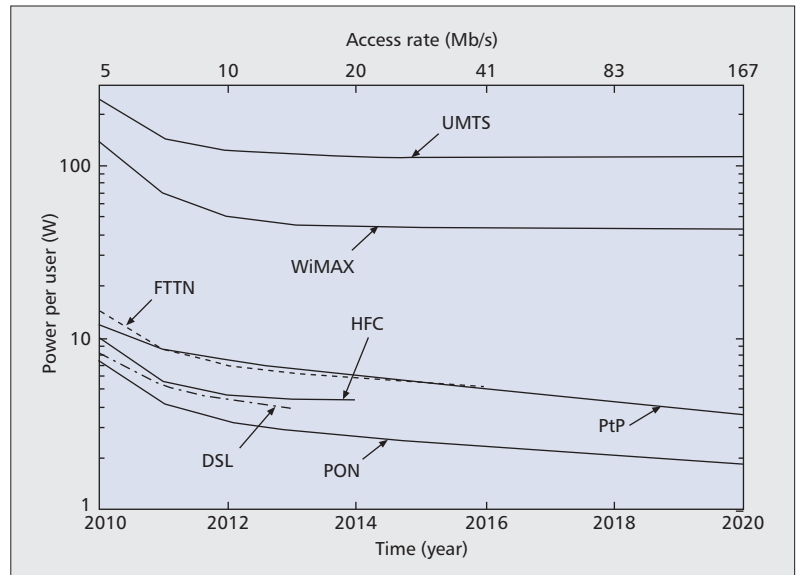


Figure 4. Expected power consumption of latest generation DSL, HFC, PON, FTTN, PtP, WiMAX and UMTS equipment as a function of the calendar year. The base access rate in 2010 is taken as 5 Mb/s.

the Australian Academy of Science, a Fellow of the Australian Academy of Technological Sciences and Engineering, and a Fellow of the Optical Society of America. In 1975 he was the recipient of a Harkness Fellowship by the Commonwealth Fund, New York. From 1988 to 1990 he was Editor-in-Chief of *IEEE Transactions on Microwave Theory and Techniques*. From 1991 to 1993, he was with the Management Committee of the Australian Telecommunications and Electronics Research Board, and a member of the Australasian Council on Quantum Electronics. From 1995 to 1999 and from 2009 the present, he is a member of the Board of Governors of the IEEE Lasers and Electrooptics Society. In 1995 he was the recipient of the Institution of Engineers, Australia, M. A. Sargent Medal for his contributions to electrical engineering and was named an IEEE Lasers and Electro-optics Society Distinguished Lecturer for the year 1995–1996. In 1997 he was the recipient of the Australia Prize, Australia's premier award for science and technology, for his contributions to telecommunications. From 1997 to 2006 he was an Associate Editor of *IEEE Photonics Technology Letters*. He is currently Vice-President, Publications of the IEEE Photonics Society. In 2007 he was the recipient of the IEEE Lasers and Electro-optics Society Aron Kressel Award for his pioneering contributions to high-speed semiconductor lasers.